

US00D495225S1

(12) **United States Design Patent**
Kurtz

(10) **Patent No.:** **US D495,225 S**

(45) **Date of Patent:** **** Aug. 31, 2004**

(54) **VEHICLE EXHAUST HANGER REMOVAL TOOL**

(75) Inventor: **Scotty R. Kurtz**, Clarinda, IA (US)

(73) Assignee: **Lisle Corporation**, Clarinda, IA (US)

(**) Term: **14 Years**

(21) Appl. No.: **29/195,728**

(22) Filed: **Dec. 16, 2003**

(51) **LOC (7) Cl.** **08-05**

(52) **U.S. Cl.** **D8/52**

(58) **Field of Search** D8/52, 55, 56,
D8/58; 81/3.6, 300, 313-317, 341, 342,
367-380, 415-417, 424.5-426.5; 29/221,
223, 248

(56) **References Cited**

U.S. PATENT DOCUMENTS

246,062	A	*	8/1881	Blaisdell	81/426
717,526	A	*	1/1903	Barney	81/302
1,316,409	A	*	9/1919	Bahre	29/248
1,518,169	A	*	12/1924	Gray	29/248
1,678,313	A	*	7/1928	Atkinson	29/246
2,220,317	A	*	11/1940	Cynoske	29/248
3,571,894	A	*	3/1971	Bilka	29/229
6,438,817	B1	*	8/2002	Pongratz	81/426

OTHER PUBLICATIONS

Matco Tool catalog, Feb. 2001, Product No. EGP436—
“Exhaust Grommet Pliers”.
Kaster A&E Specialty Tools catalog, p. 30, Product No.
436A—“Exhaust Hanger Removal Pliers”.

Snap-On Tool catalog, 2001, p. 354, Product No. YA3202—
“Exhaust Hanger Removal Pliers”.

OTC catalog, 2001, p. 104, Product No. 7677—“Exhaust
Hanger Pliers”.

* cited by examiner

Primary Examiner—Clare E Heflin

(74) *Attorney, Agent, or Firm*—Banner & Witcoff, Ltd.

(57) **CLAIM**

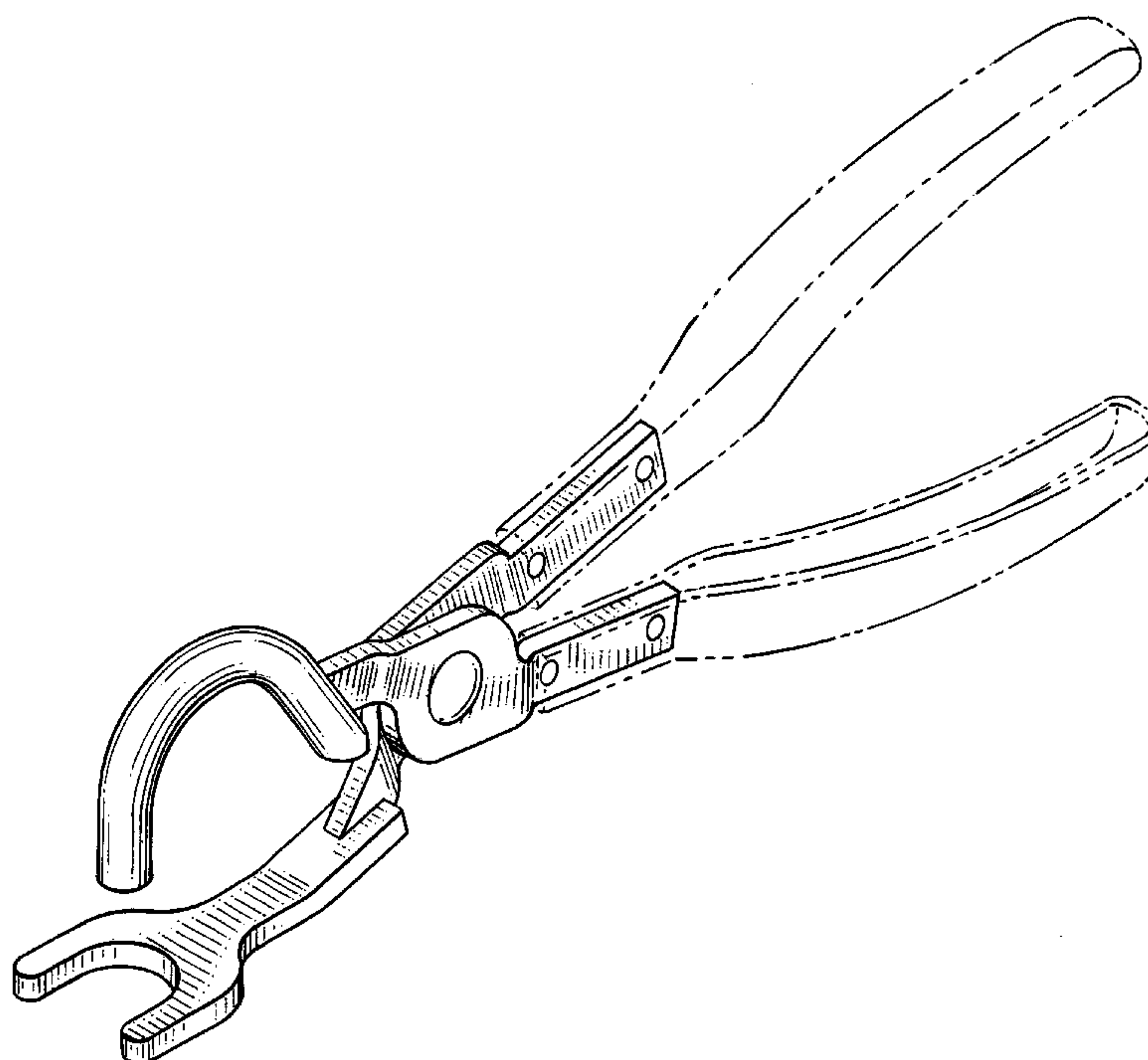
The ornamental design for a vehicle exhaust hanger removal
tool, as shown and described.

DESCRIPTION

FIG. 1 is an isometric view of the design of the invention;
FIG. 2 is a side view of the design of FIG. 1;
FIG. 3 is a right side end view of the design of FIG. 2;
FIG. 4 is a left side end view of the design of FIG. 2 ;
FIG. 5 is a top plan view of the design;
FIG. 6 is a bottom view of the design; and,
FIG. 7 is a side view of the design from the side opposite
FIG. 2.

The broken line showing of environment is for illustrative
purposes only and forms no part of the claimed design.

1 Claim, 3 Drawing Sheets



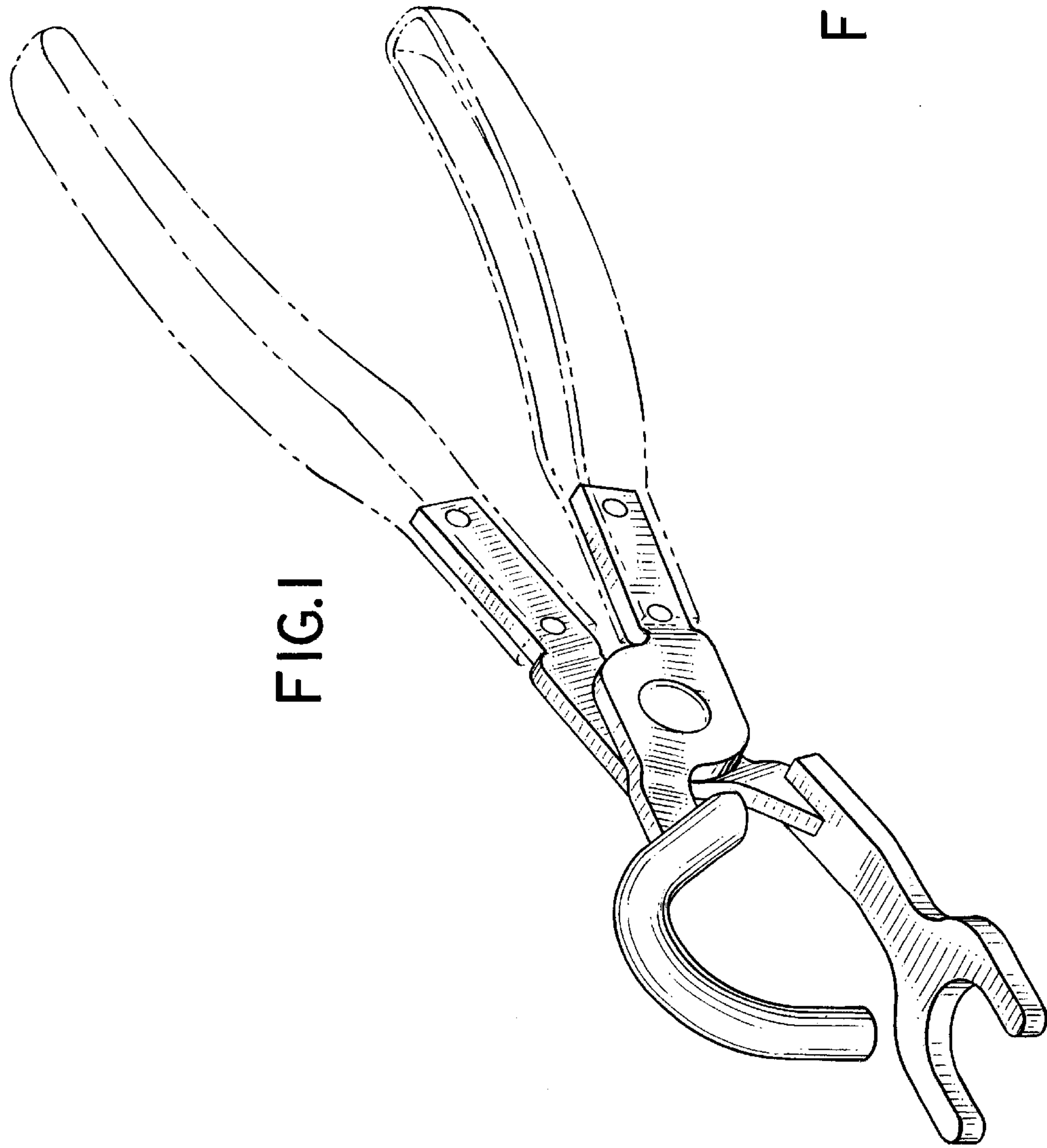


FIG. 1

FIG. 3

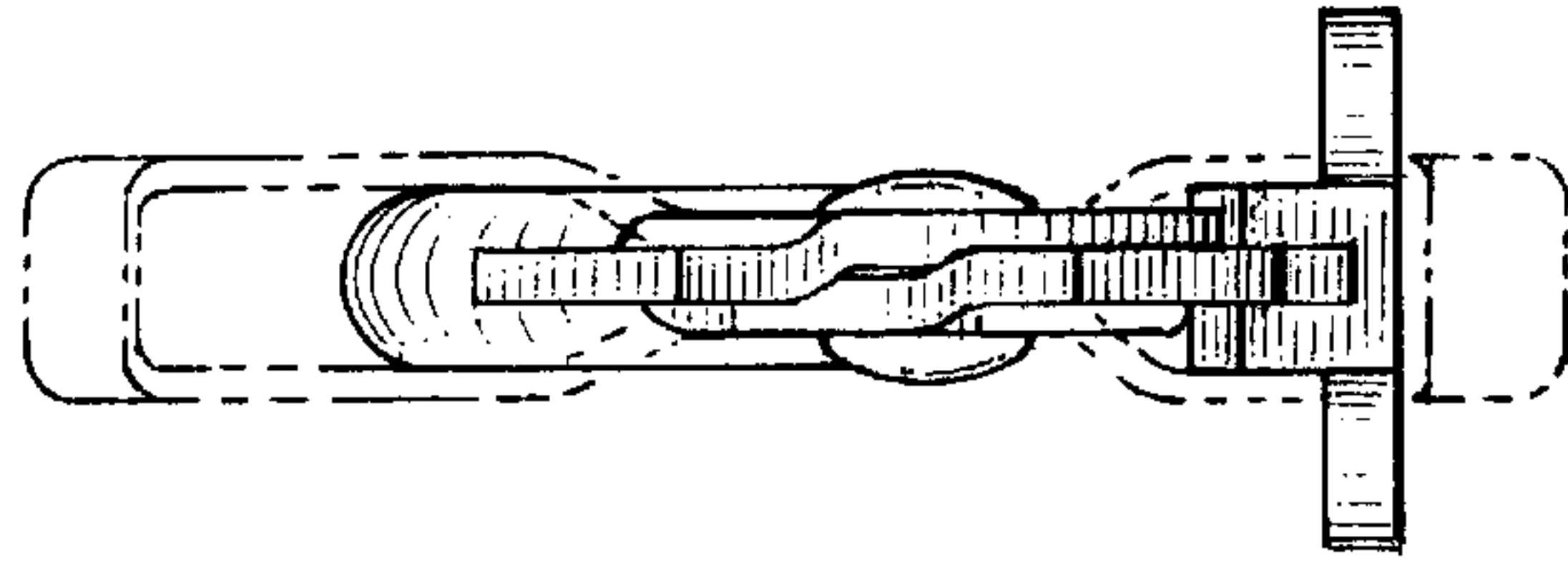
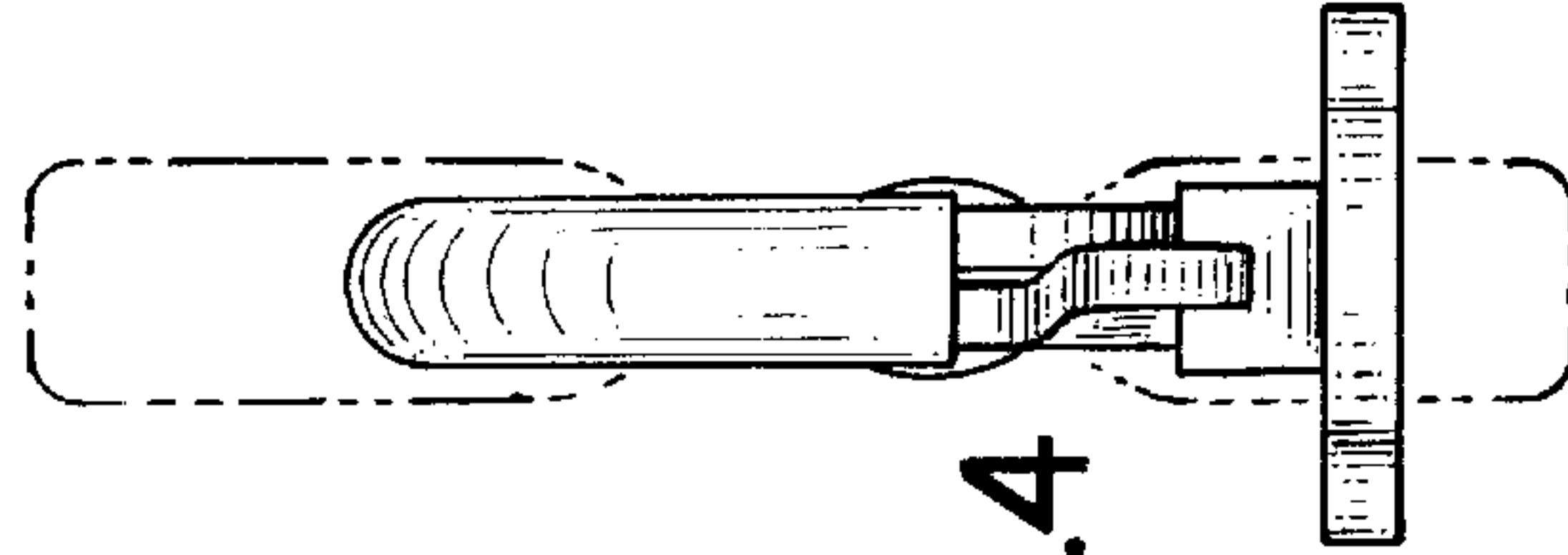


FIG. 4



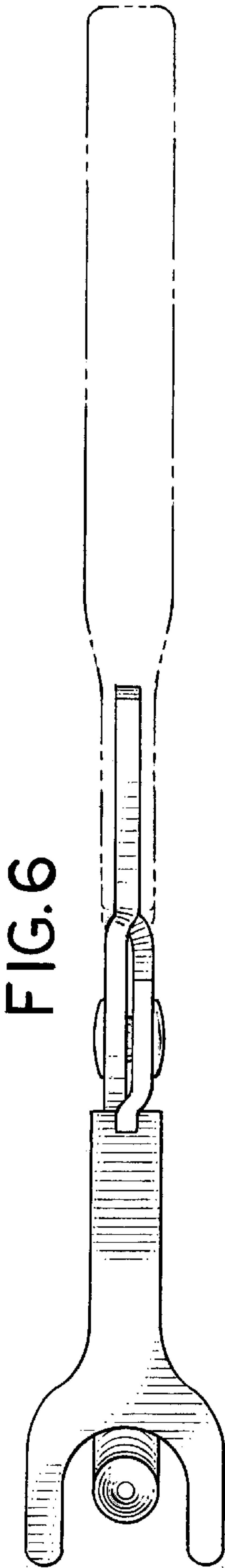
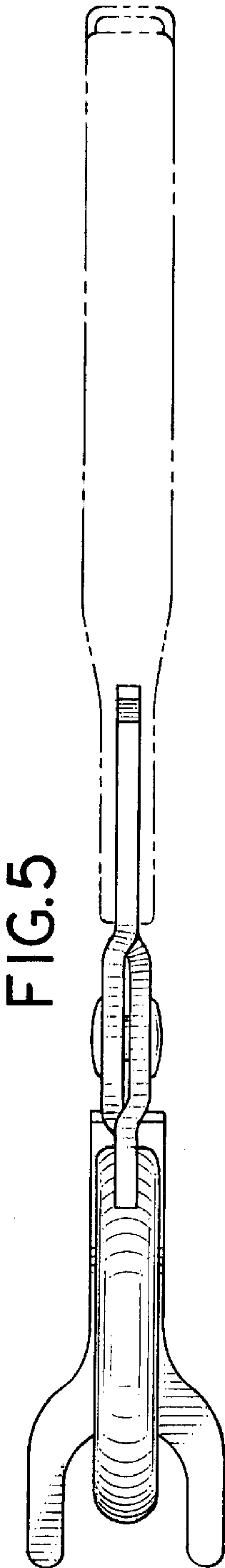
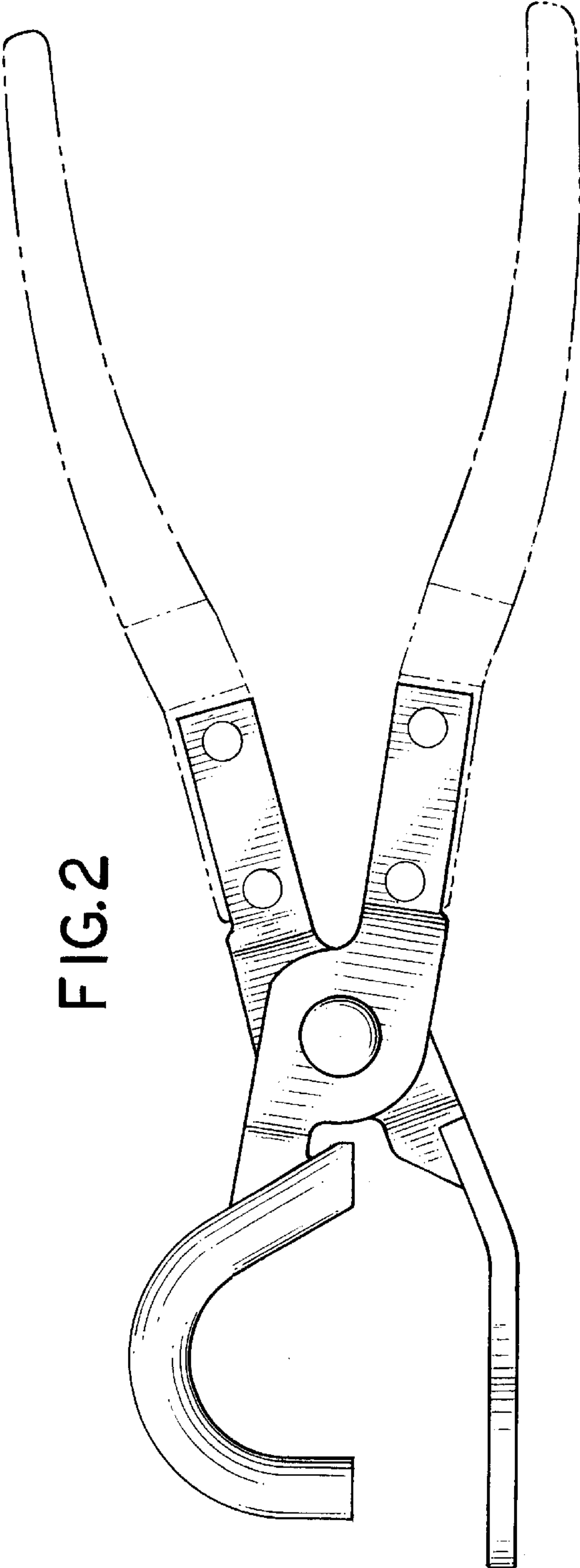


FIG. 7

