

US00D495224S1

(12) **United States Design Patent**
Videgain, Jr. et al.

(10) **Patent No.:** **US D495,224 S**
(45) **Date of Patent:** **** Aug. 31, 2004**

(54) **RATCHET WITH EXTENDABLE HANDLE**
(76) Inventors: **Ronald L. Videgain, Jr.**, 5482 Carlton Rd., Mariposa, CA (US) 95338; **Ryan T. Videgain**, 514 Riverside Ave., Chowchilla, CA (US) 93610

5,570,617 A 11/1996 Love
D377,745 S 2/1997 Laun
5,720,207 A 2/1998 Milner et al.
6,006,634 A * 12/1999 Byers 81/177.2
6,332,379 B1 * 12/2001 Klomp 81/60
6,550,358 B1 * 4/2003 Martin 81/177.2

(**) Term: **14 Years**

* cited by examiner

(21) Appl. No.: **29/190,918**

Primary Examiner—Raphael Barkai
(74) *Attorney, Agent, or Firm*—Donald R. Schoonover

(22) Filed: **Sep. 30, 2003**

(57) **CLAIM**

(51) **LOC (7) Cl.** **08-05**

We claim the ornamental design for a ratchet with extendable handle, as shown and described.

(52) **U.S. Cl.** **D8/25**

(58) **Field of Search** D8/21-29; 81/60-63.2, 81/177.1, 177.2, 177.85, 489, 177.6

DESCRIPTION

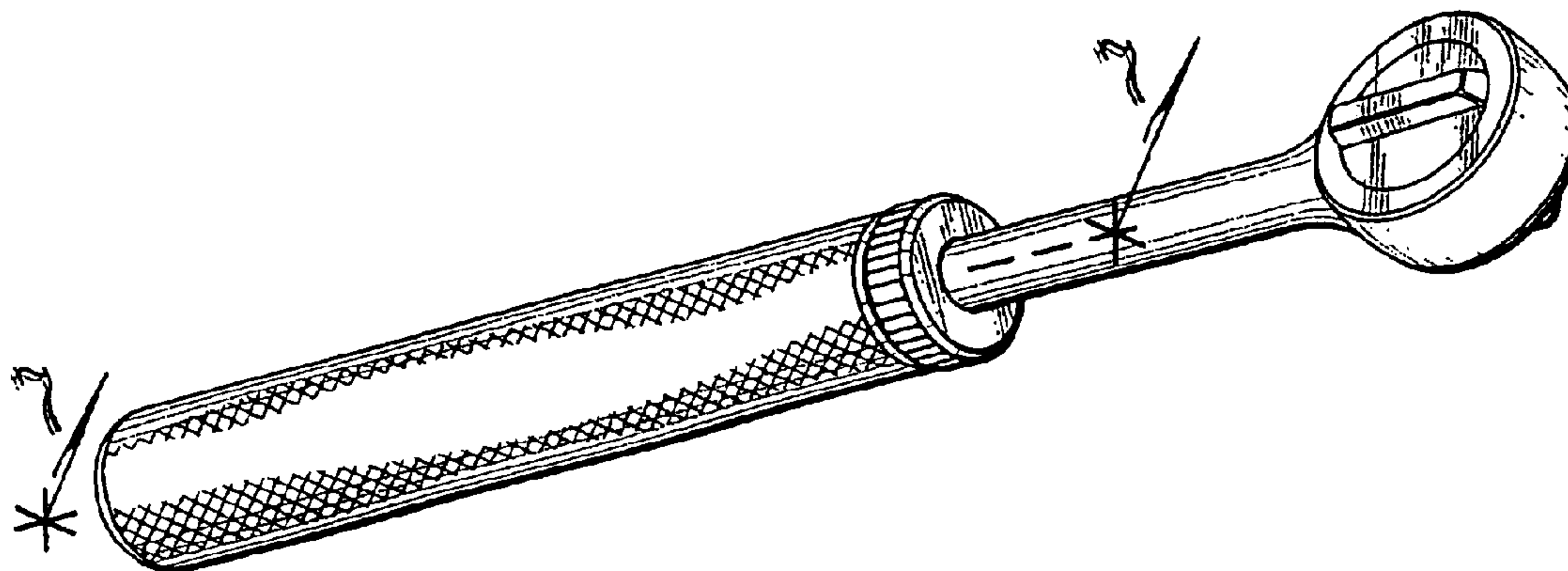
(56) **References Cited**

FIG. 1 is a perspective view of a ratchet with extendable handle showing our new design;
FIG. 2 is a top plan view thereof;
FIG. 3 is a bottom plan view thereof;
FIG. 4 is an end elevational view thereof;
FIG. 5 is an elevational view of the opposing end thereof;
FIG. 6 is a side elevational view thereof, the elevational view of the opposing side being a mirror image thereof; and,
FIG. 7 is a side elevational view thereof in partial cross-section taken along line 7-7 of FIG. 1.

U.S. PATENT DOCUMENTS

1,203,853 A	11/1916	Contal	
2,705,119 A *	3/1955	Ingwer	248/55
2,963,930 A *	12/1960	Clothier et al.	81/177.2
D220,421 S	4/1971	Zutter	
4,300,607 A	11/1981	Mellinger	
4,581,958 A *	4/1986	Shull	81/177.2
4,586,406 A *	5/1986	Howard	81/177.2
4,770,073 A	9/1988	Palm	
4,869,138 A	9/1989	Farris	

1 Claim, 2 Drawing Sheets



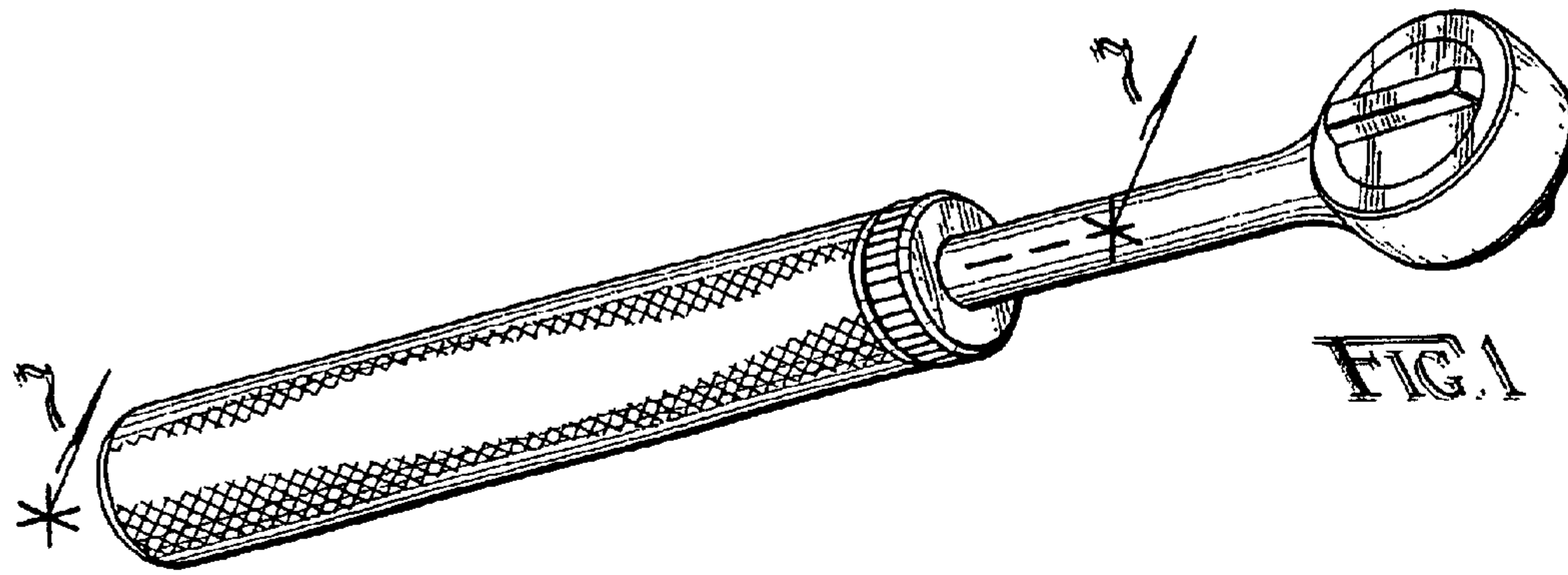


FIG. 1

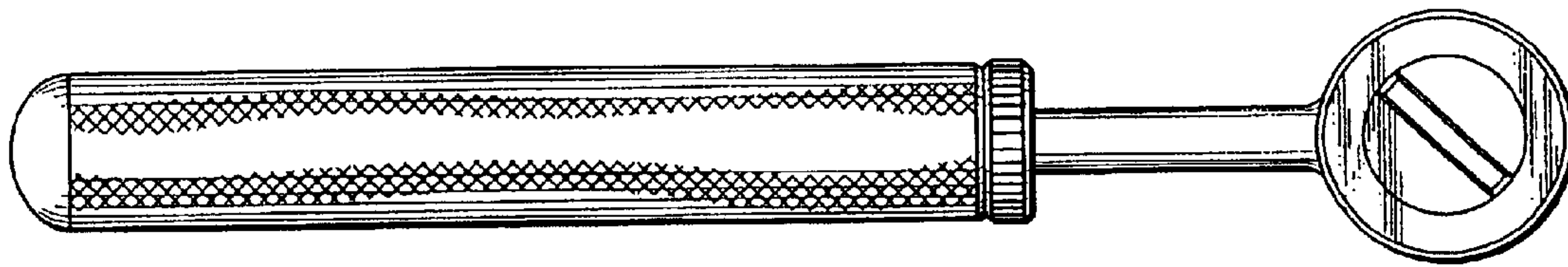


FIG. 2

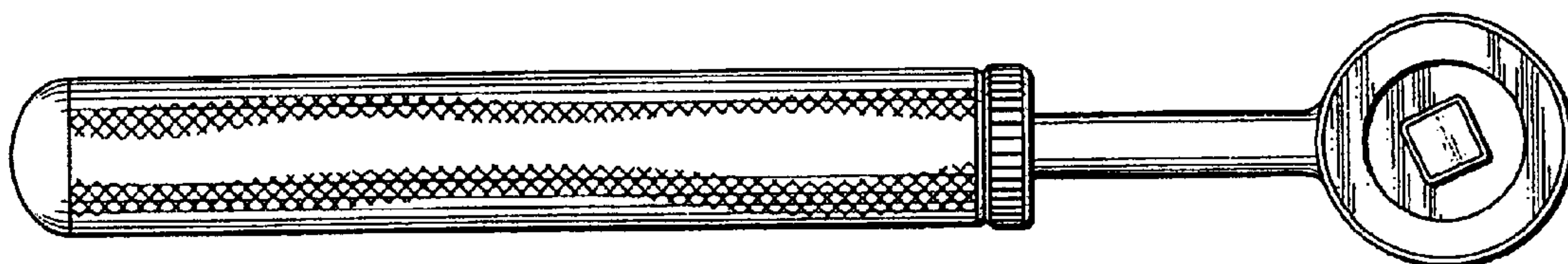


FIG. 3

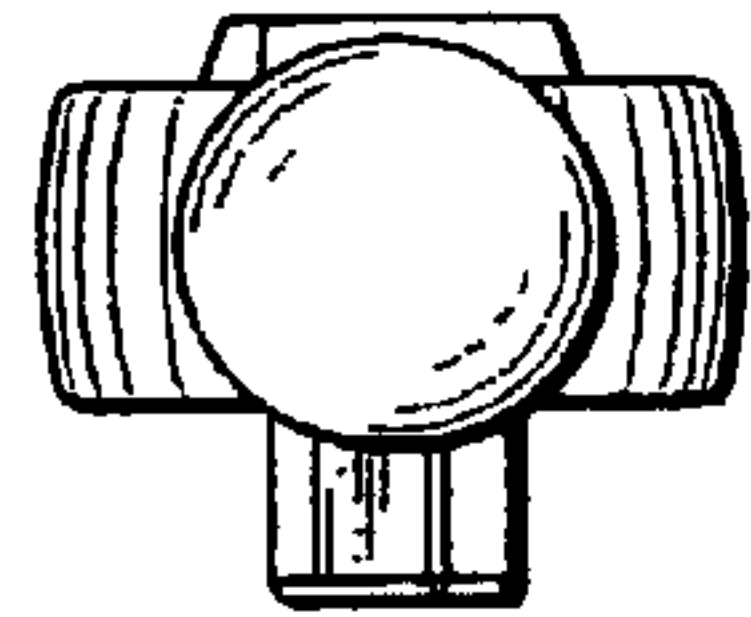


FIG. 4

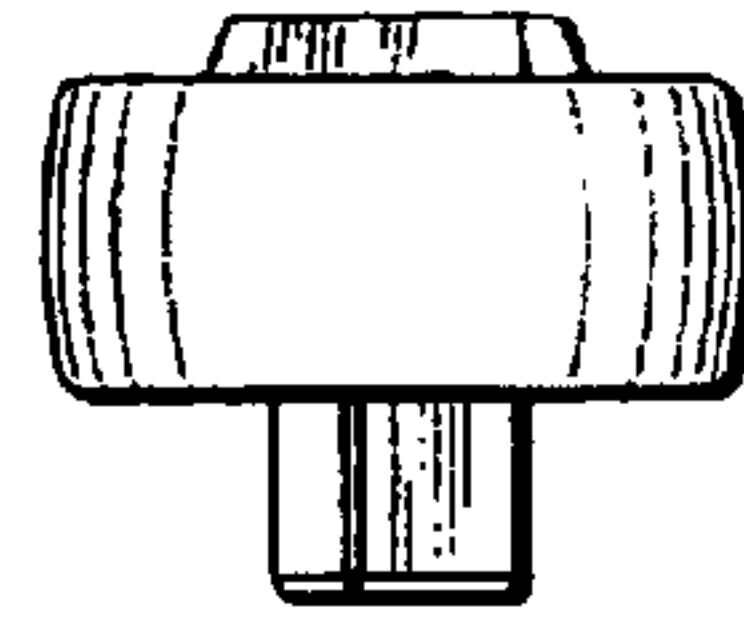


FIG. 5

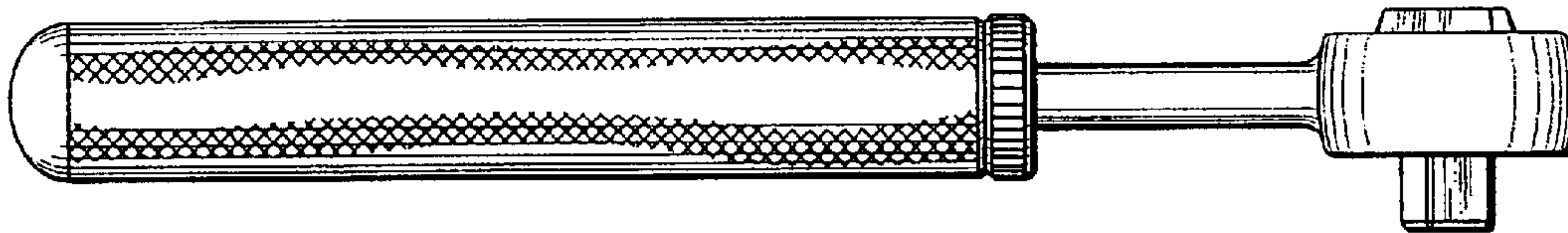


FIG. 6

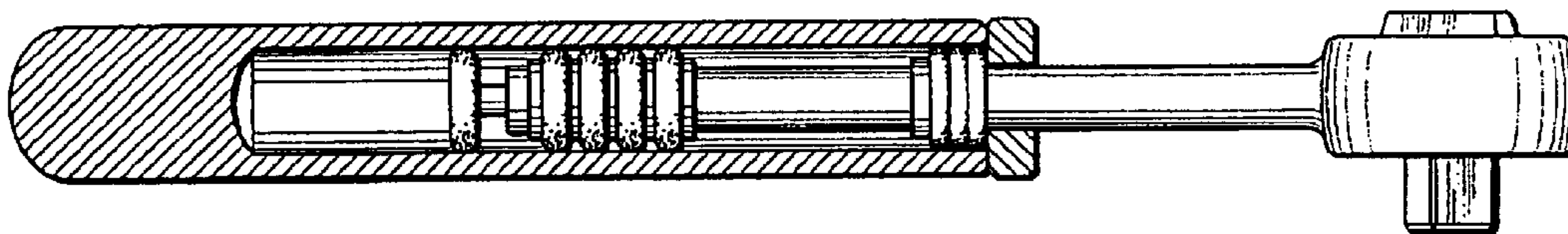


FIG. 7