

US00D495223S1

(12) **United States Design Patent**
Altman

(10) **Patent No.:** **US D495,223 S**

(45) **Date of Patent:** **** Aug. 31, 2004**

(54) **FLAT DOUBLE-CHANNEL PULLING
DEVICE**

(76) **Inventor:** **Steve Altman**, 24432 Calle Tassjara,
Murrieta, CA (US) 92562

(**) **Term:** **14 Years**

(21) **Appl. No.:** **29/163,169**

(22) **Filed:** **Jun. 27, 2002**

(51) **LOC (7) Cl.** **08-05**

(52) **U.S. Cl.** **D8/19**

(58) **Field of Search** D8/14, 16, 19,
D8/71, 349, 354; D12/223; 29/244, 283.5;
72/446, 447, 450, 457, 458, 479, 705; 248/228.7,
231; 254/131, 133 R; 280/480; 294/92,
132

(56) **References Cited**

U.S. PATENT DOCUMENTS

1,616,653 A *	2/1927	Frasier et al.	72/458
3,452,575 A *	7/1969	Williams et al.	72/447
3,760,625 A *	9/1973	Archambault	72/705
4,038,727 A *	8/1977	Robbins	24/461

4,107,974 A *	8/1978	Kuhn	72/357
5,044,191 A *	9/1991	Combs	72/705
D340,226 S *	10/1993	Sachs	D8/356
6,089,075 A *	7/2000	Bramblett	72/458

* cited by examiner

Primary Examiner—James Gandy

Assistant Examiner—Elizabeth Albert

(74) *Attorney, Agent, or Firm*—Gary L. Eastman

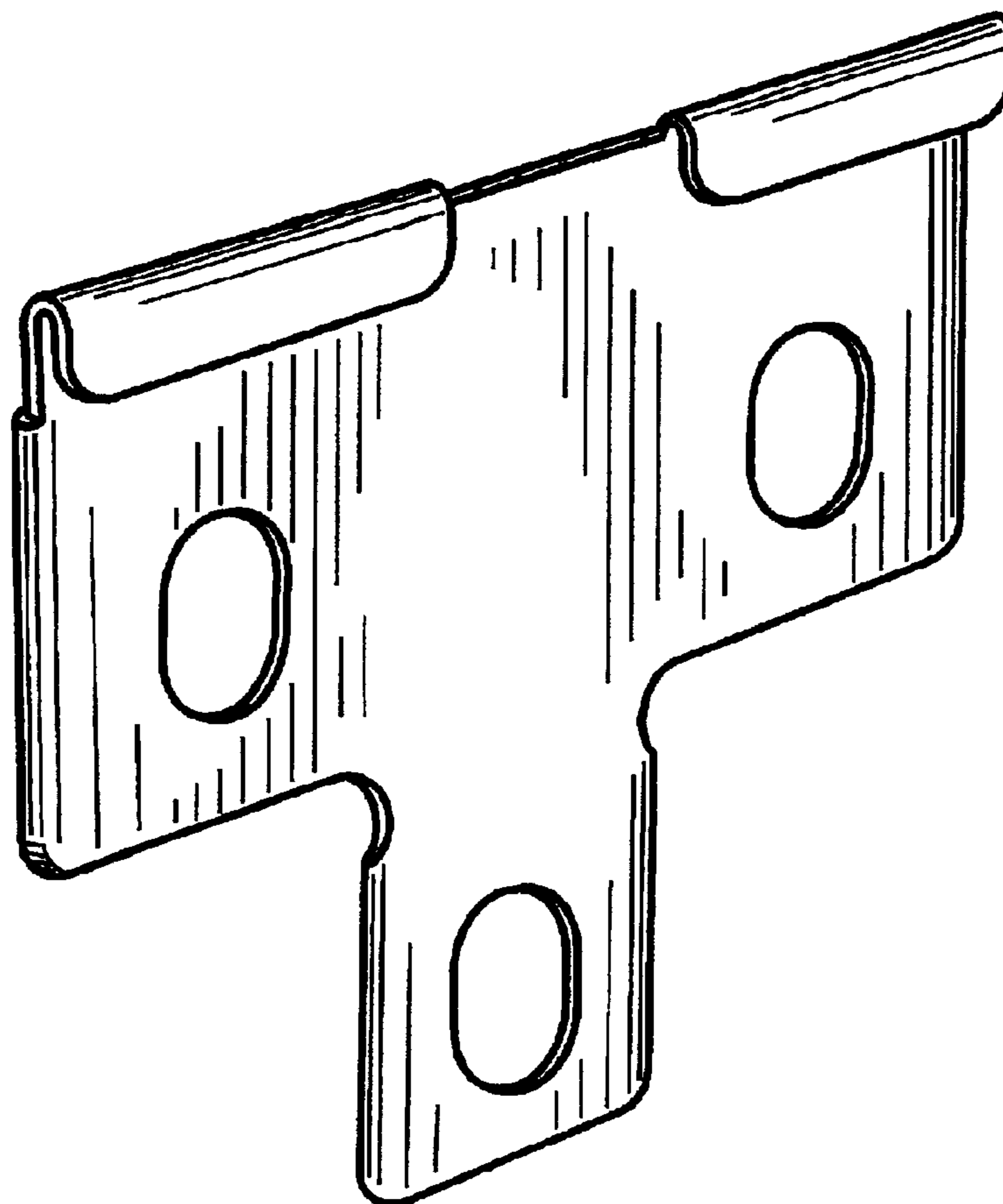
(57) **CLAIM**

The ornamental design for a flat double-channel pulling device, as shown and described.

DESCRIPTION

FIG. 1 is a perspective view of a flat double-channel pulling device showing my new design; FIG. 2 is a front view thereof; FIG. 3 is a back view thereof; FIG. 4 is a left side view thereof; and FIG. 5 is a top view thereof; and, FIG. 6 is a bottom view thereof. The right side view is a mirror image of FIG. 4.

1 Claim, 2 Drawing Sheets



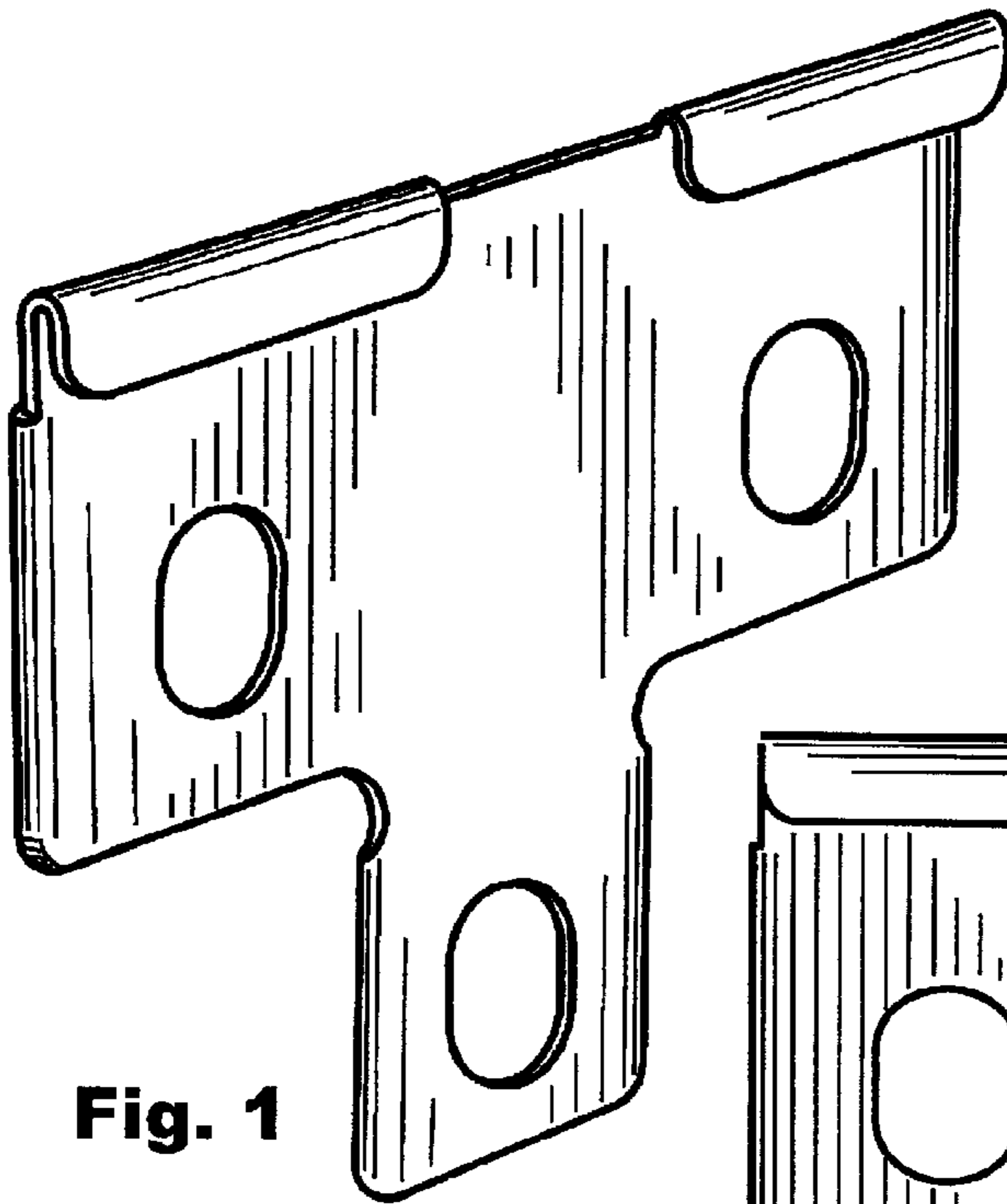


Fig. 1

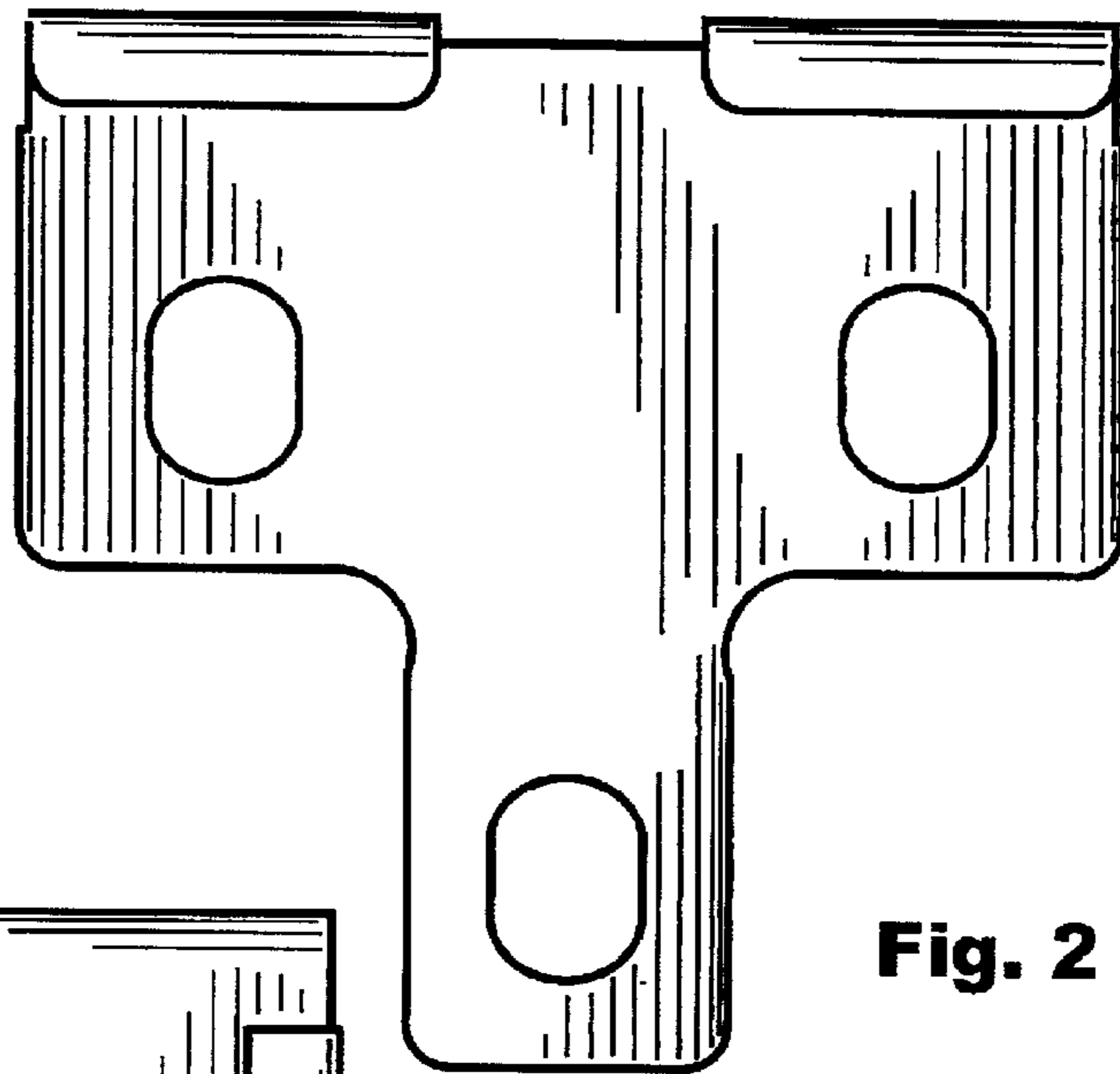


Fig. 2

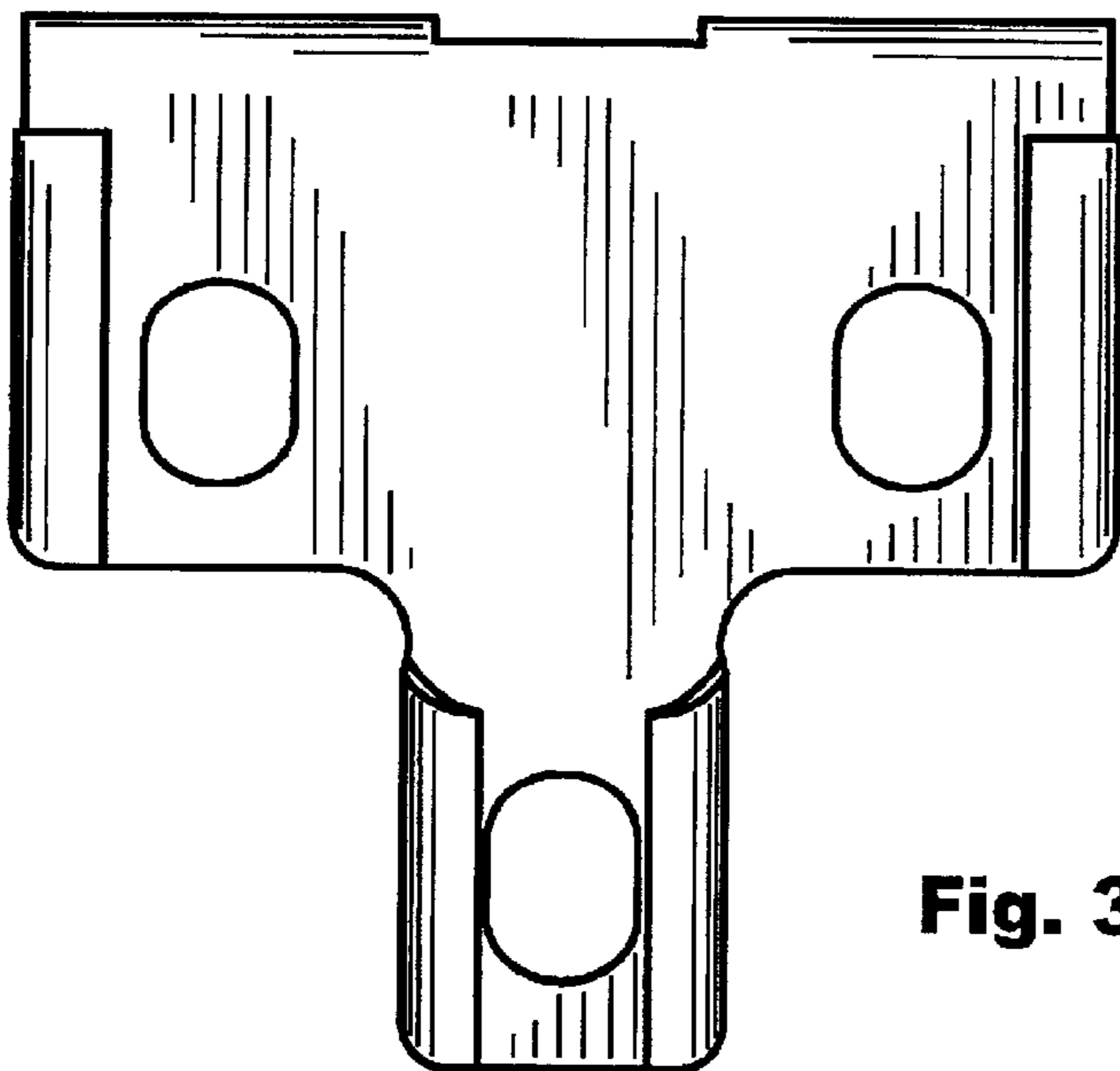


Fig. 3

Fig. 4



Fig.5



Fig.6