

US00D495218S1

(12) **United States Design Patent**
Yu

(10) **Patent No.: US D495,218 S**

(45) **Date of Patent: ** Aug. 31, 2004**

(54) **SLICER**

(75) **Inventor: Kwok Leung Yu, Kwai Chung (HK)**

(73) **Assignee: Ko Fung Products Industrial Limited,
New Territories (HK)**

(**) **Term: 14 Years**

(21) **Appl. No.: 29/187,126**

(22) **Filed: Jul. 29, 2003**

(51) **LOC (7) Cl. 07-04**

(52) **U.S. Cl. D7/673**

(58) **Field of Search D7/672, 673, 678,
D7/693, 381; 30/279.6; 83/669, 856, 857;
241/95, 100, 168, 169, 257.1, 273.1-273.4,
274, 285.2**

(56) **References Cited**

U.S. PATENT DOCUMENTS

3,495,639 A * 2/1970 Vallentin 241/95

D326,388 S * 5/1992 Boerner D7/673
D400,767 S * 11/1998 de Saint-Genois D7/673
D406,018 S * 2/1999 Zirbes D7/673
D442,033 S * 5/2001 de Saint-Genois D7/673

* cited by examiner

Primary Examiner—Terry A. Wallace

(74) *Attorney, Agent, or Firm*—Rabin & Berdo, P.C.

(57) **CLAIM**

The ornamental design for a slicer, as shown and described.

DESCRIPTION

FIG. 1 is a perspective view of a slicer showing my new design;

FIG. 2 is a front view thereof;

FIG. 3 is a rear view thereof;

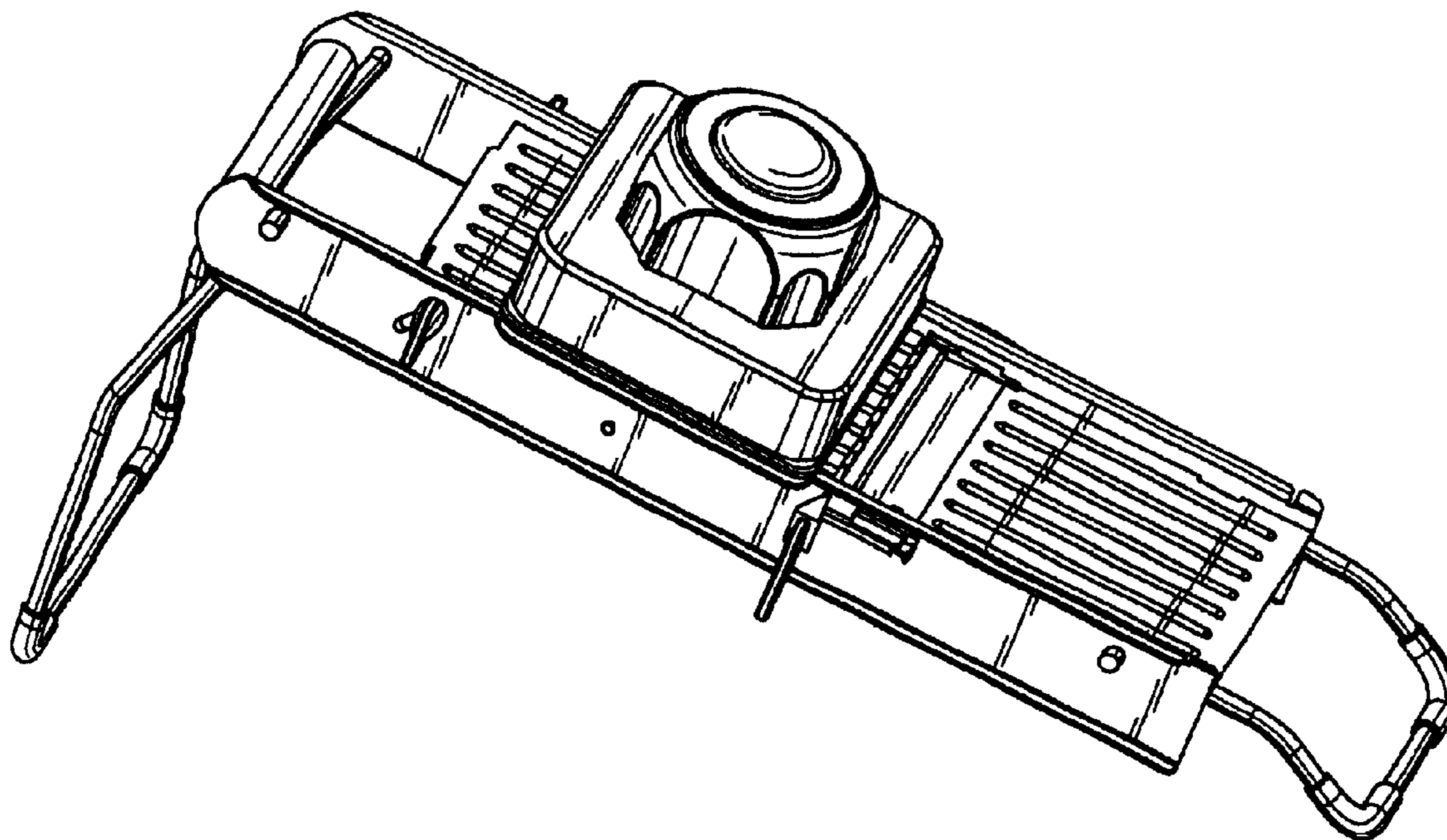
FIG. 4 is a top plan view thereof;

FIG. 5 is a bottom plan view thereof;

FIG. 6 is a left side view thereof; and,

FIG. 7 is a right side view thereof.

1 Claim, 4 Drawing Sheets



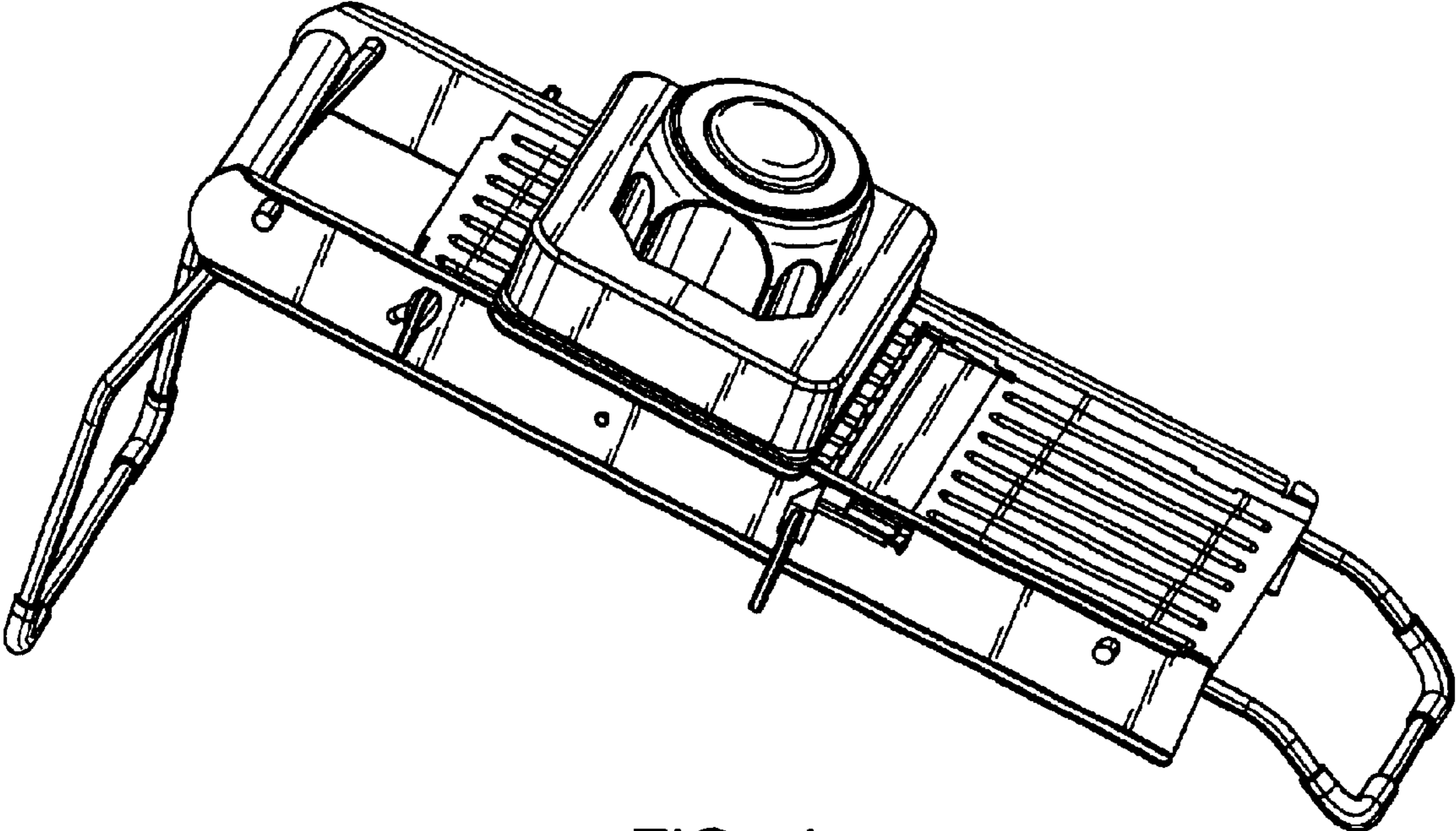


FIG. 1

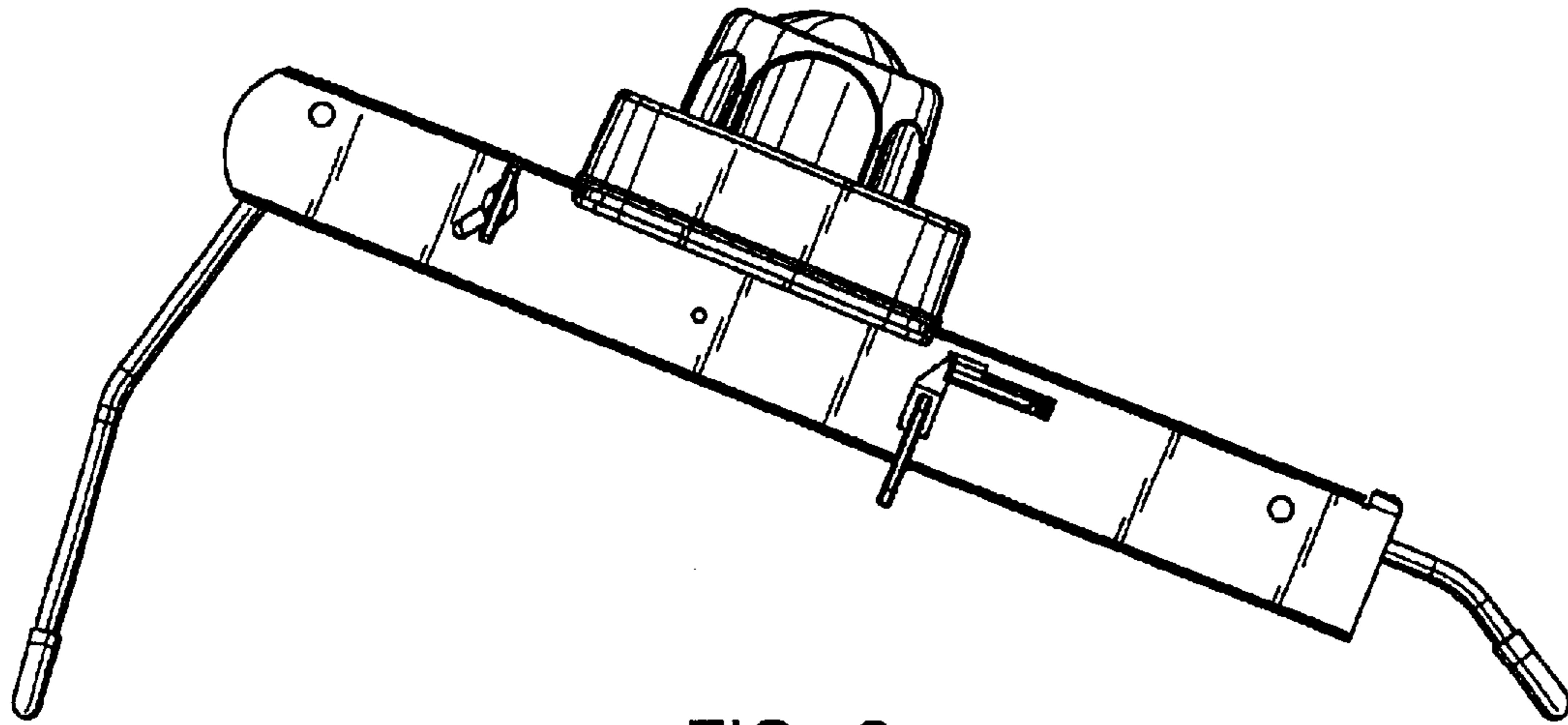


FIG. 2

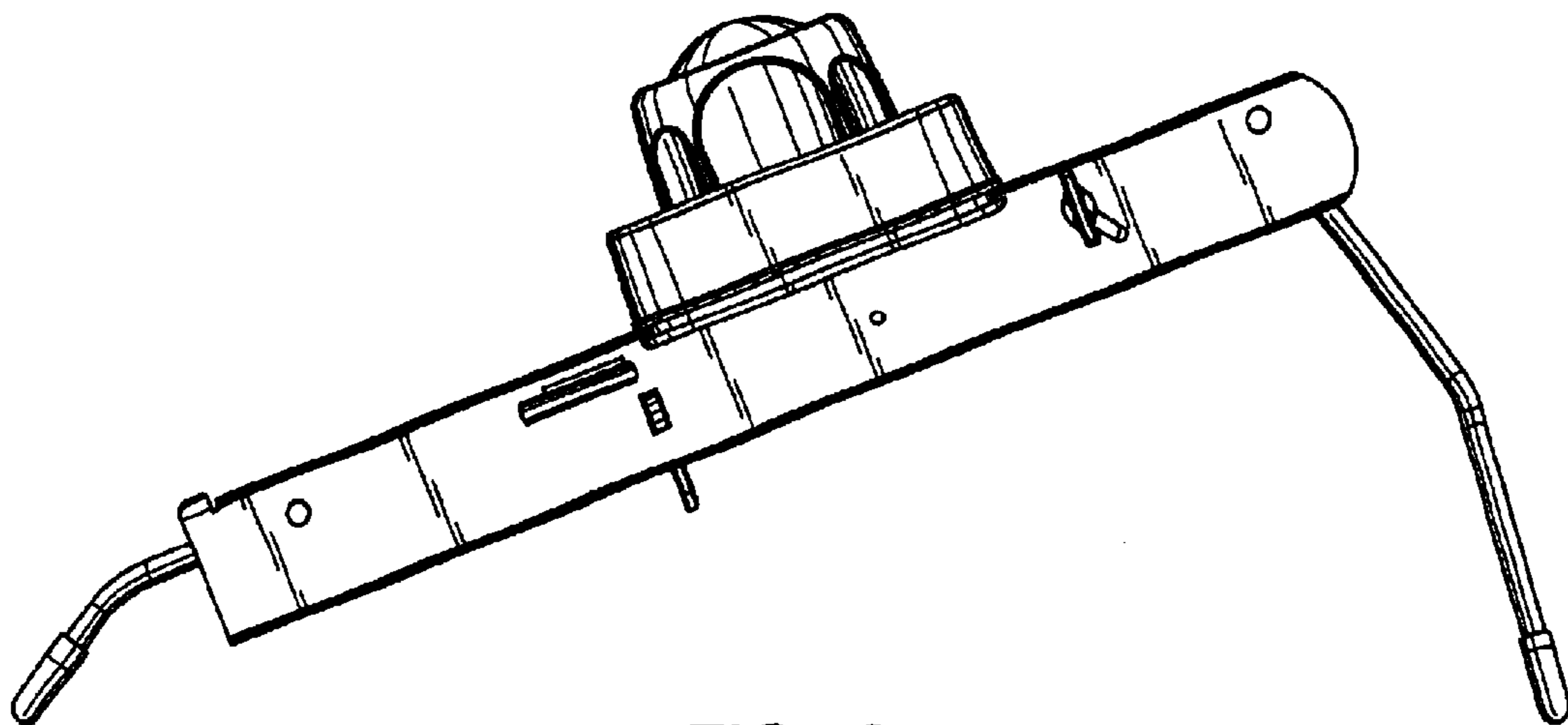


FIG. 3

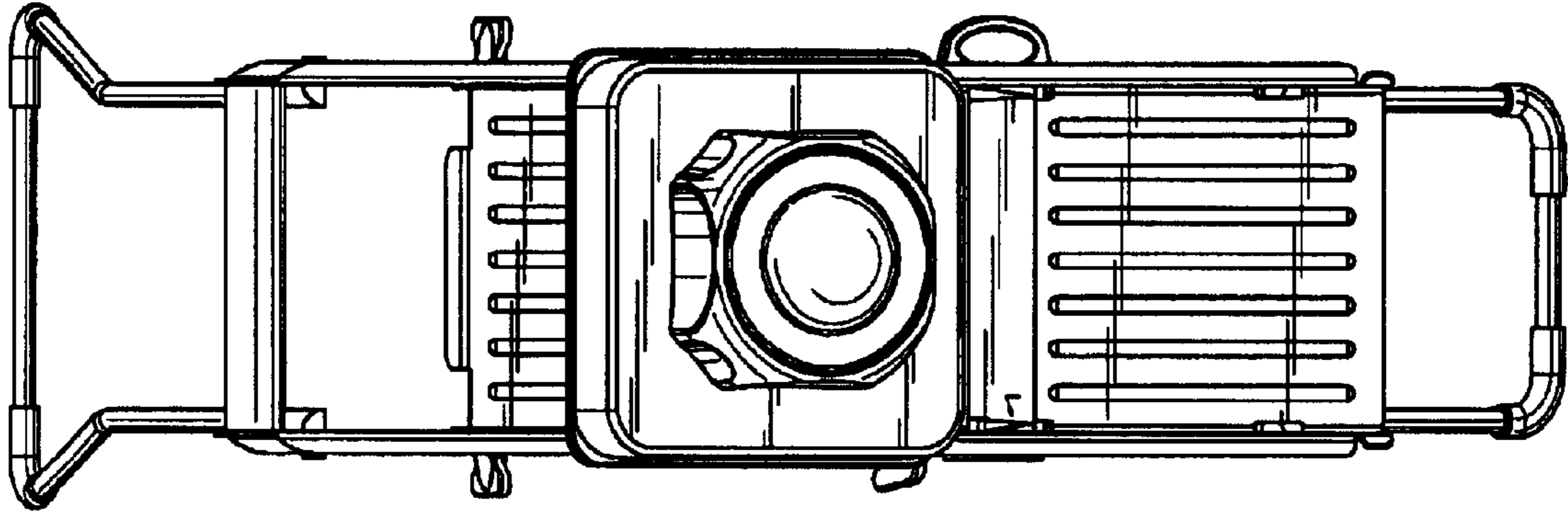


FIG. 4

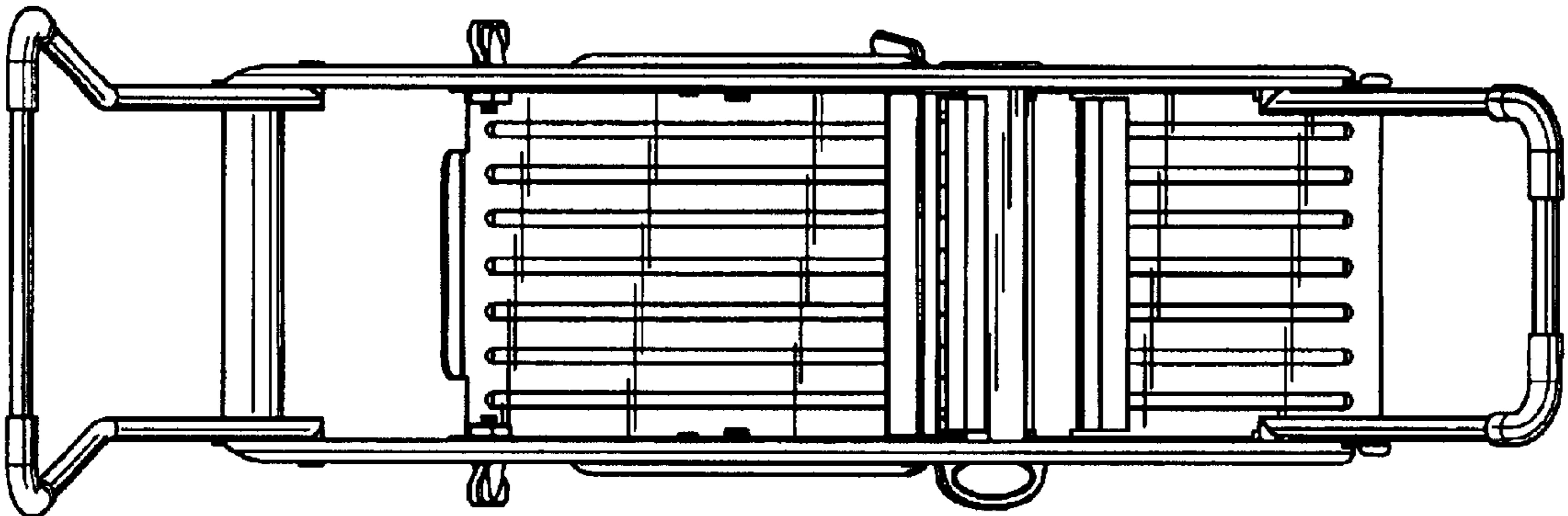


FIG. 5

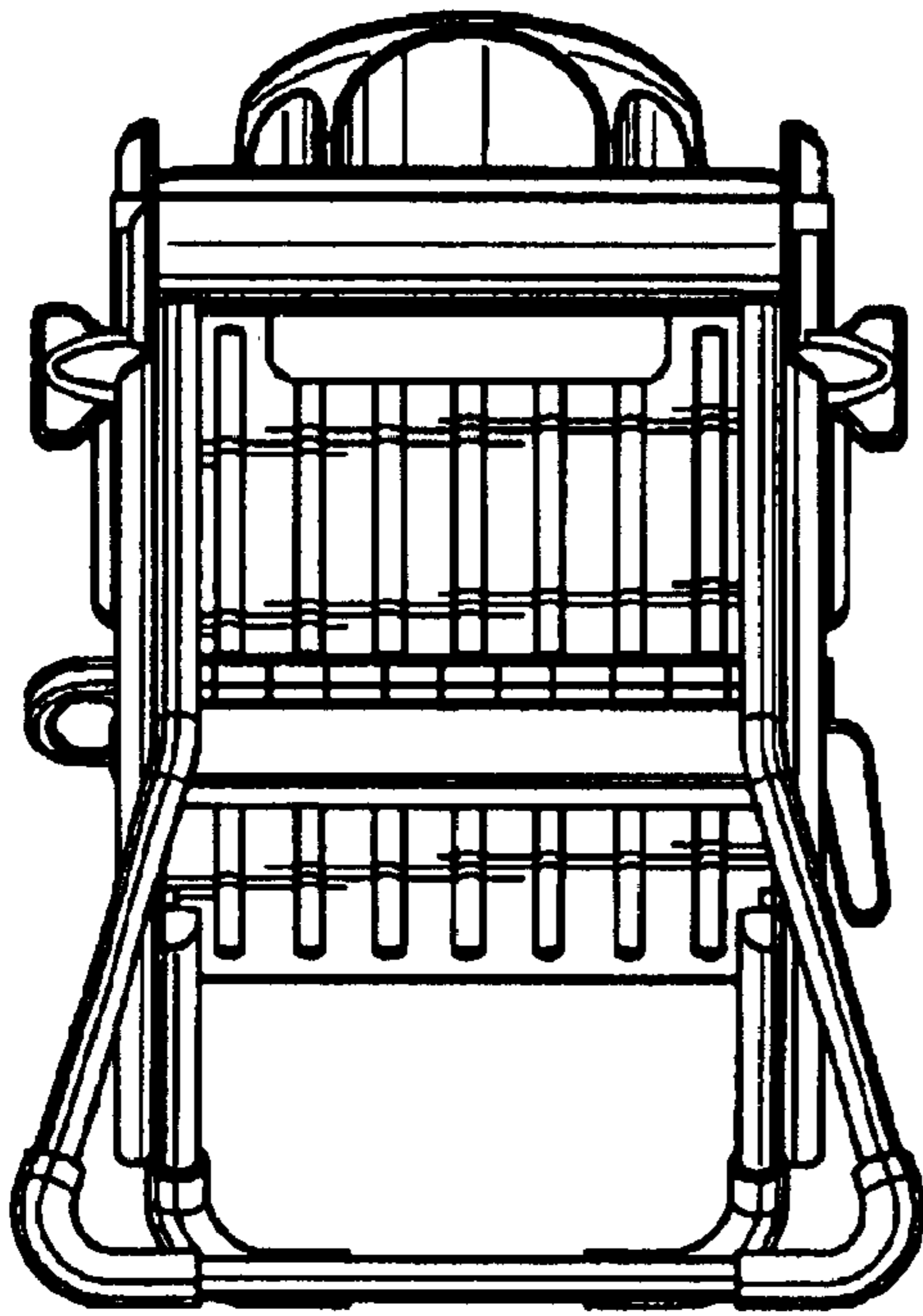


FIG. 6

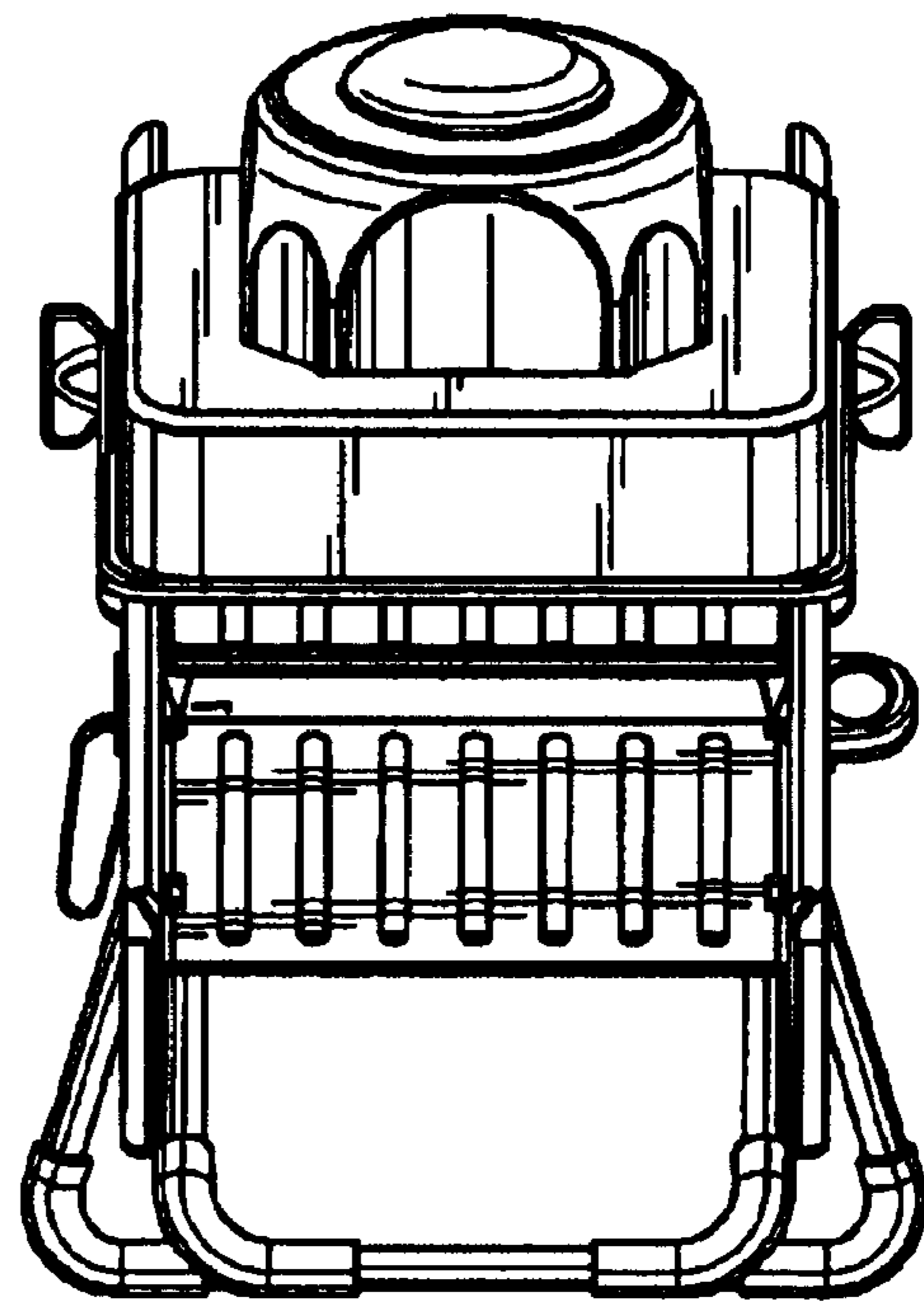


FIG. 7