



US00D495217S1

(12) **United States Design Patent**
Wendell

(10) **Patent No.: US D495,217 S**

(45) **Date of Patent: ** Aug. 31, 2004**

(54) **FOOD CLAMP**

(76) **Inventor: Ed Wendell**, 1923 S. Arcadia St.,
Boise, ID (US) 83705

(**) **Term: 14 Years**

(21) **Appl. No.: 29/176,415**

(22) **Filed: Feb. 19, 2003**

(51) **LOC (7) Cl. 07-04**

(52) **U.S. Cl. D7/673**

(58) **Field of Search** D7/672, 673; D8/71,
D8/72; 83/451-456, 609, 761, 762; 269/86,
87.2, 287, 288, 291, 295

(56) **References Cited**

U.S. PATENT DOCUMENTS

D205,149 S	*	6/1966	Blum	D7/673
3,866,897 A	*	2/1975	Whalen, Jr.	269/87.2
6,006,640 A	*	12/1999	Bastion	83/454

* cited by examiner

Primary Examiner—Terry A. Wallace

(74) *Attorney, Agent, or Firm*—Ormiston & McKinney,
PLLC

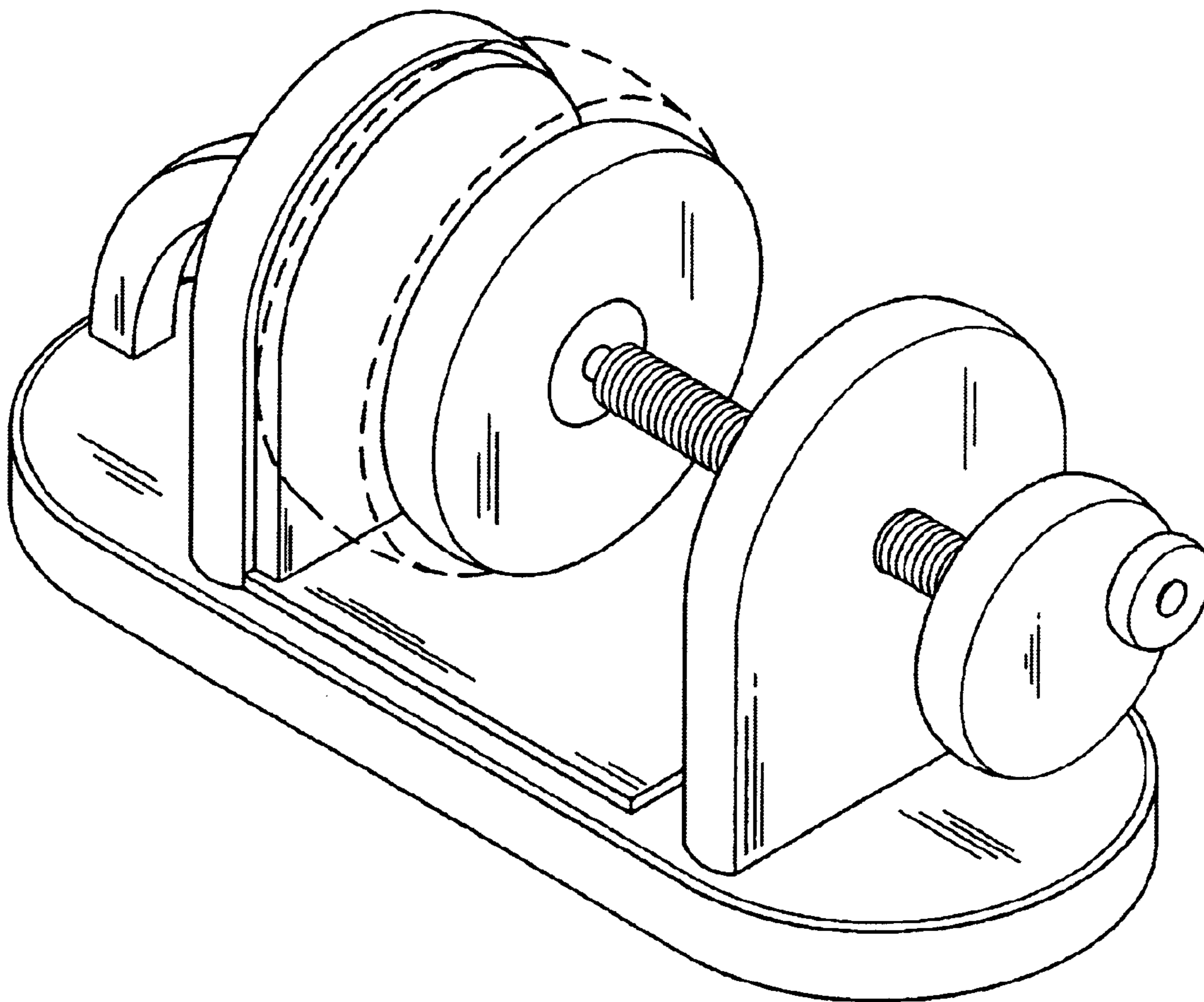
(57) **CLAIM**

The ornamental design for a food clamp, as shown and described.

DESCRIPTION

FIG. 1 is a right-front perspective view of a food clamp showing my new design, the bagel is shown in broken lines for illustrative purposes only;
 FIG. 2 is a top view thereof
 FIG. 3 is a front view thereof;
 FIG. 4 is a right side view thereof;
 FIG. 5 is a rear view thereof;
 FIG. 6 is a left side view thereof; and,
 FIG. 7 is a right-front perspective view thereof.

1 Claim, 4 Drawing Sheets



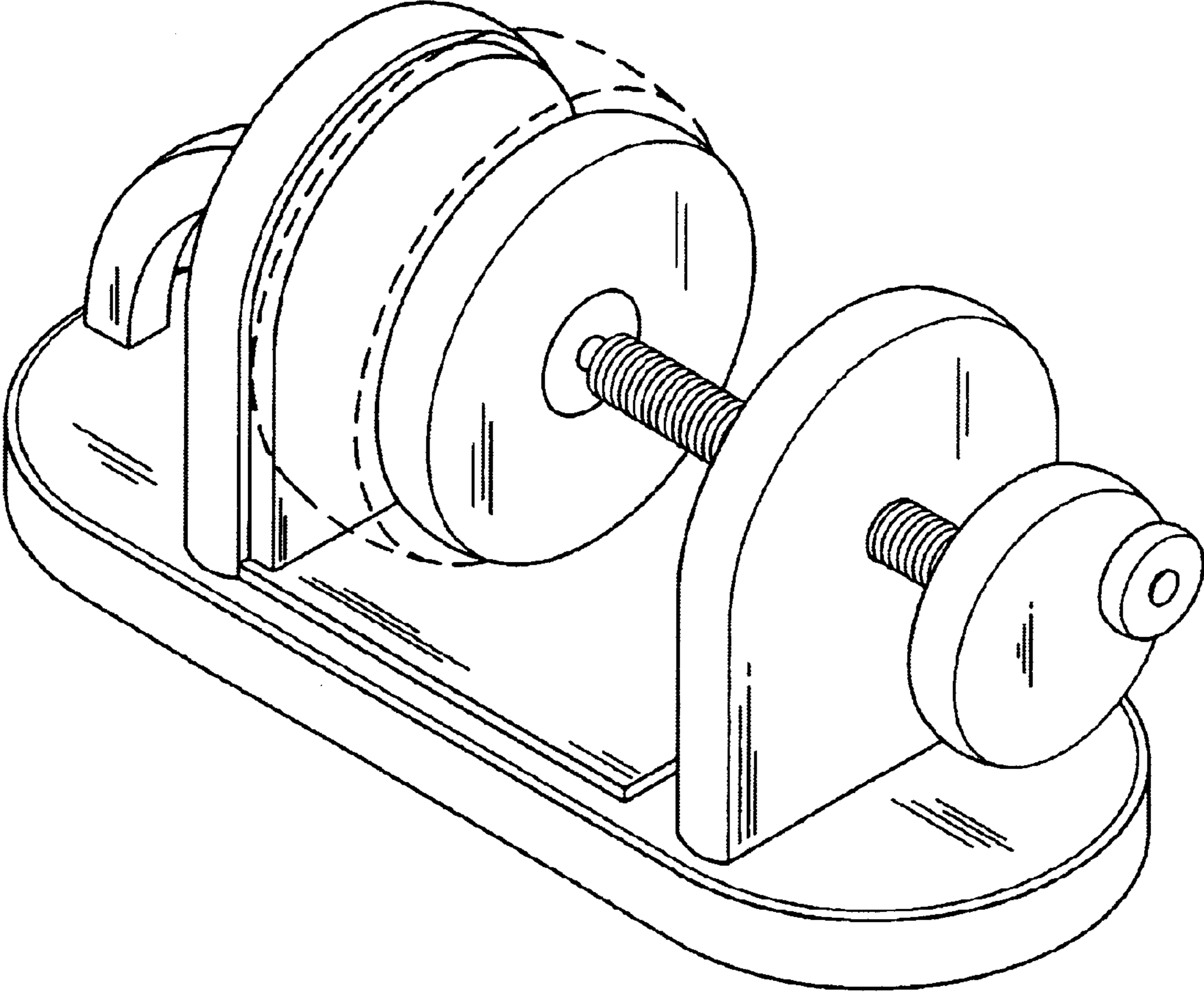


FIG. 1

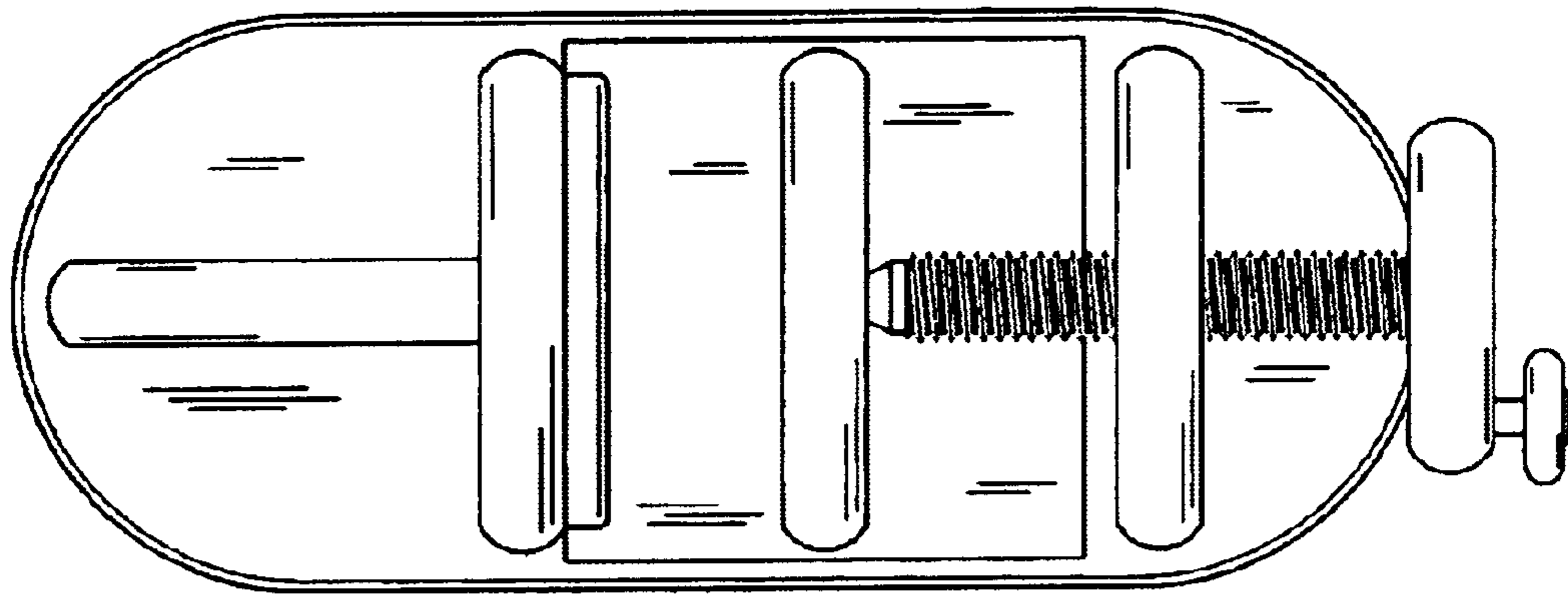


FIG. 2

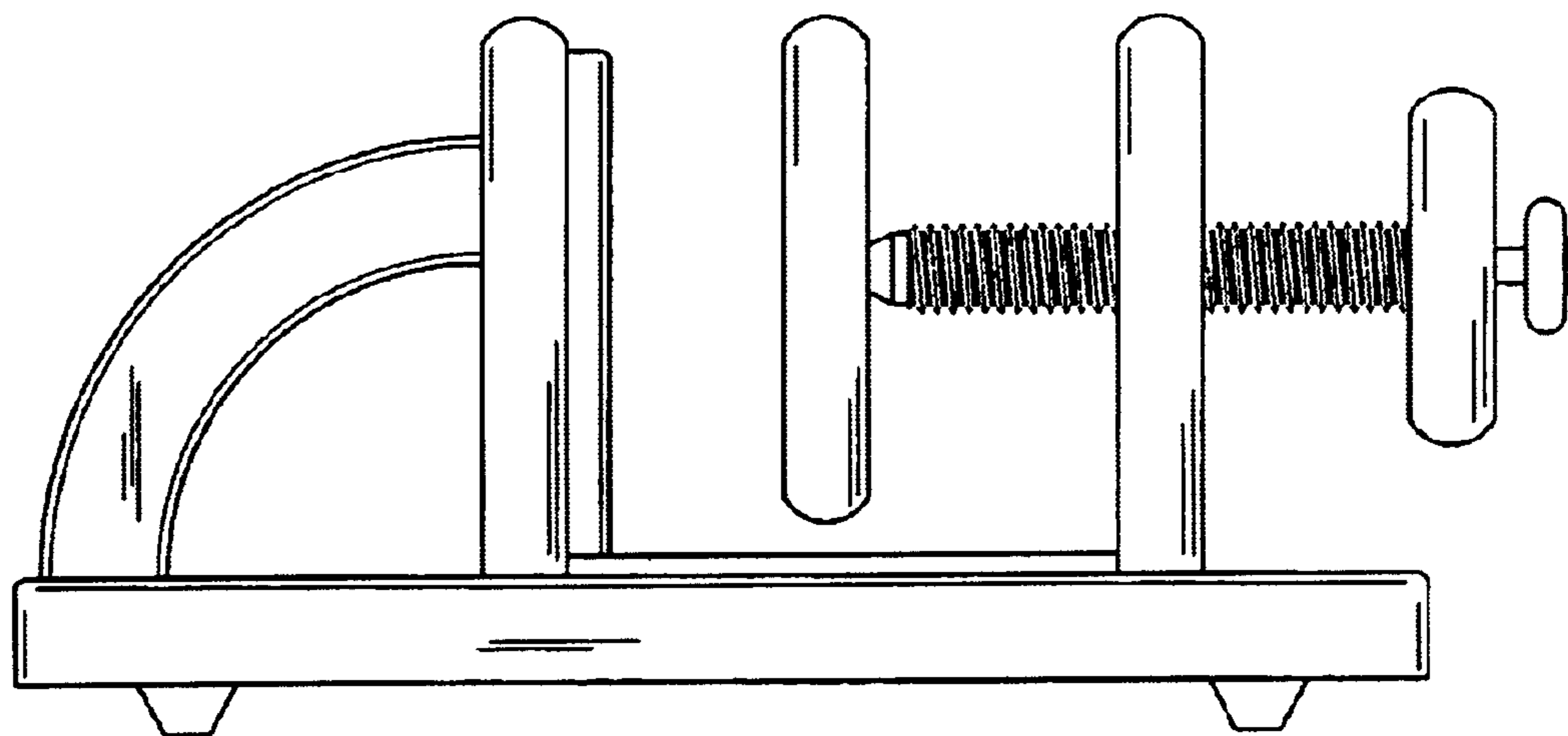


FIG. 3

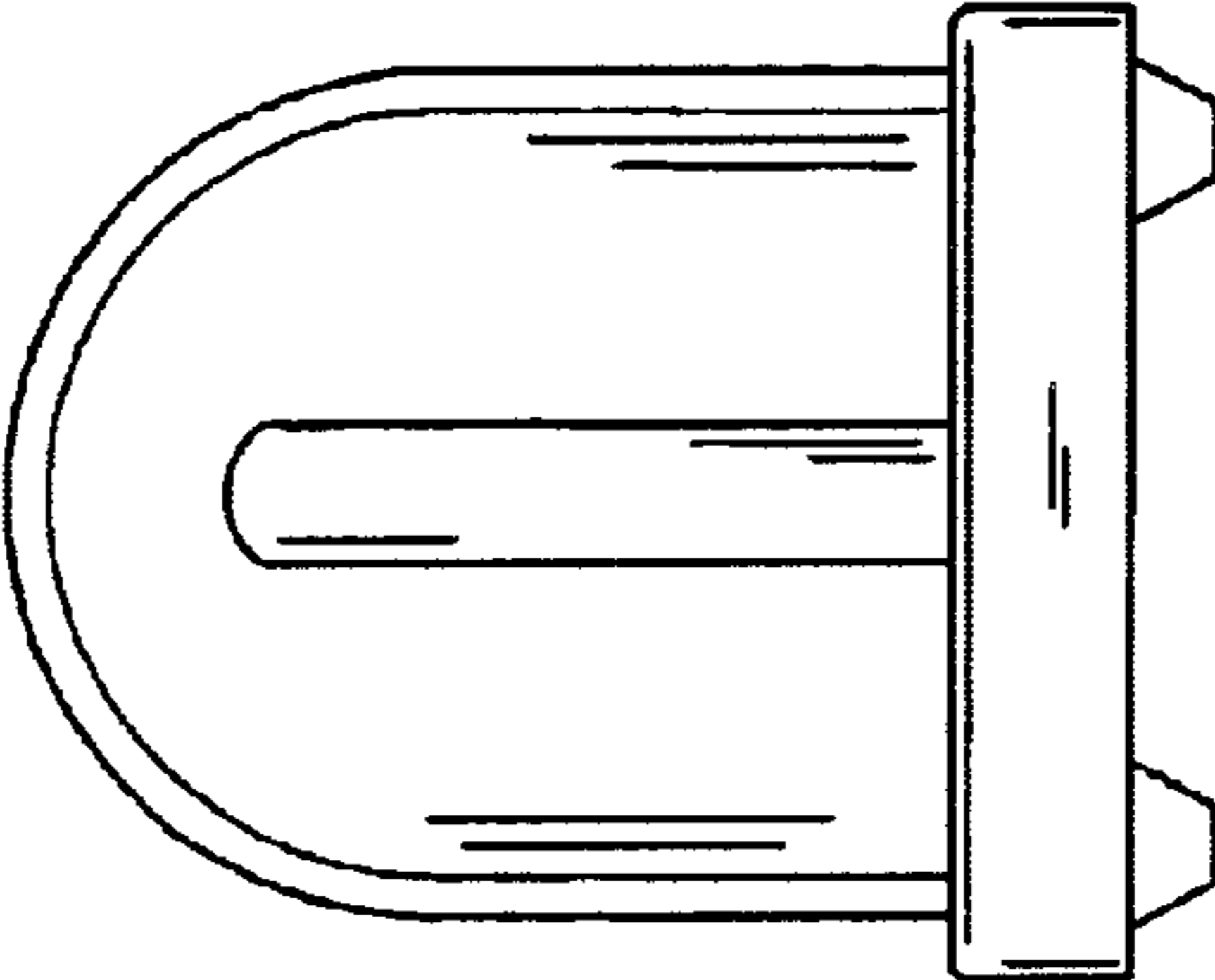


FIG. 4

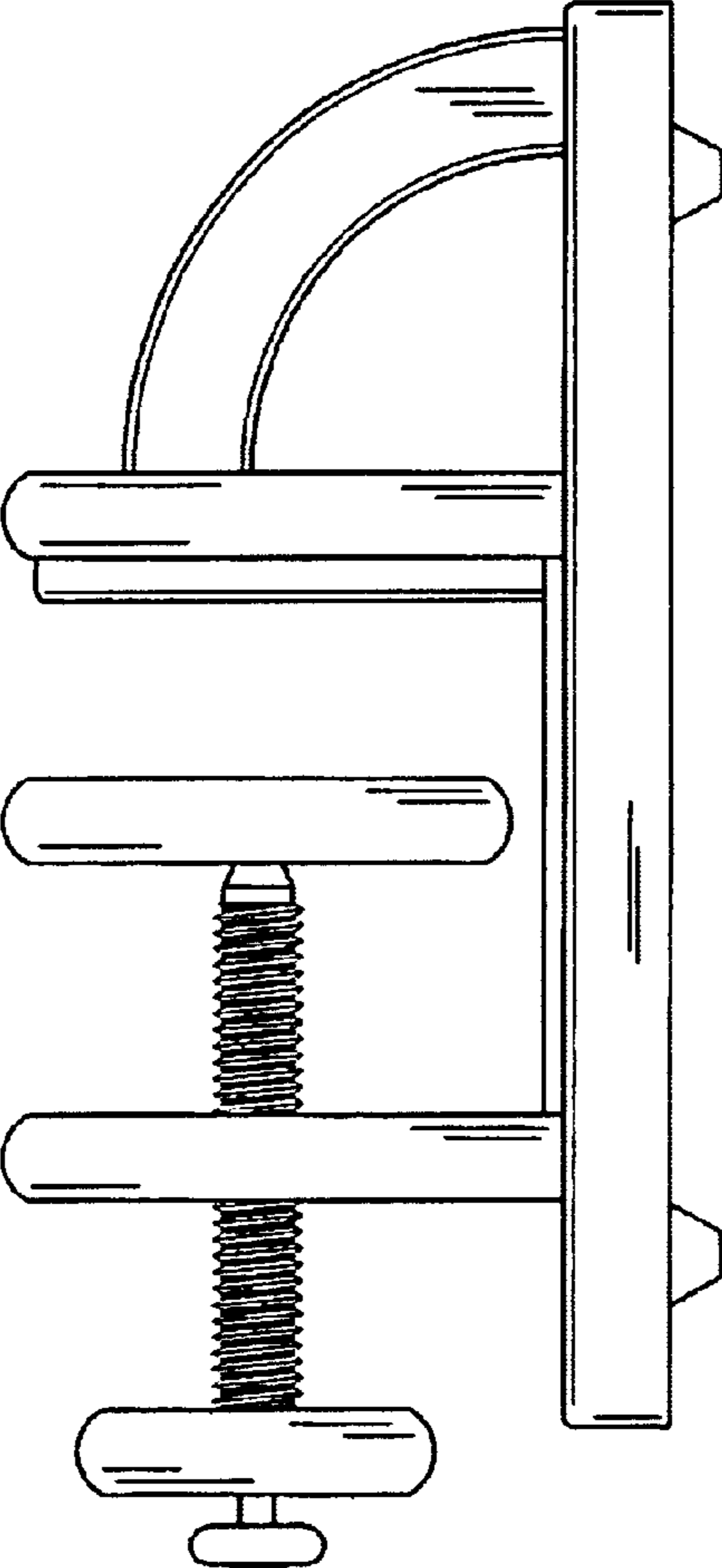


FIG. 5

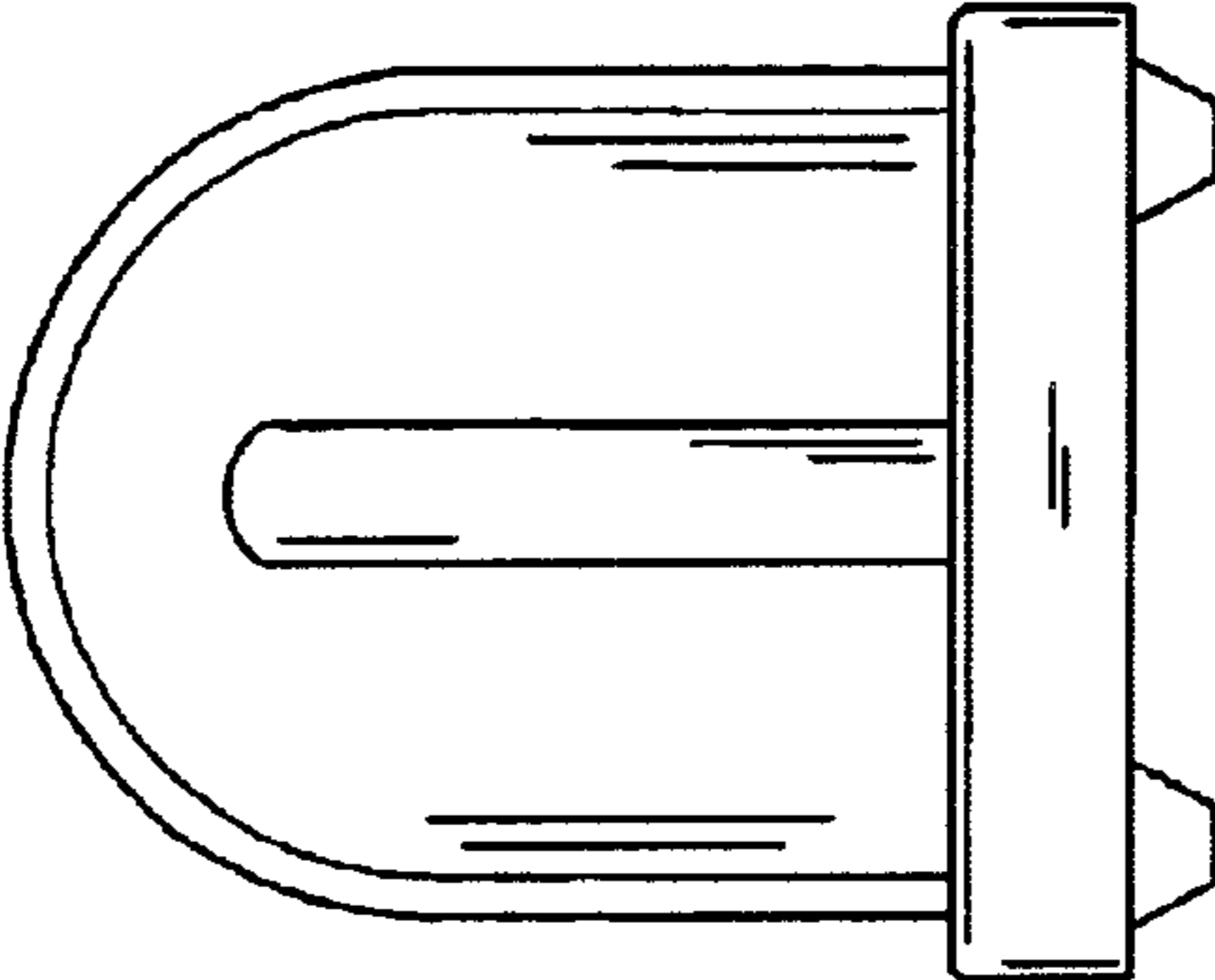


FIG. 6

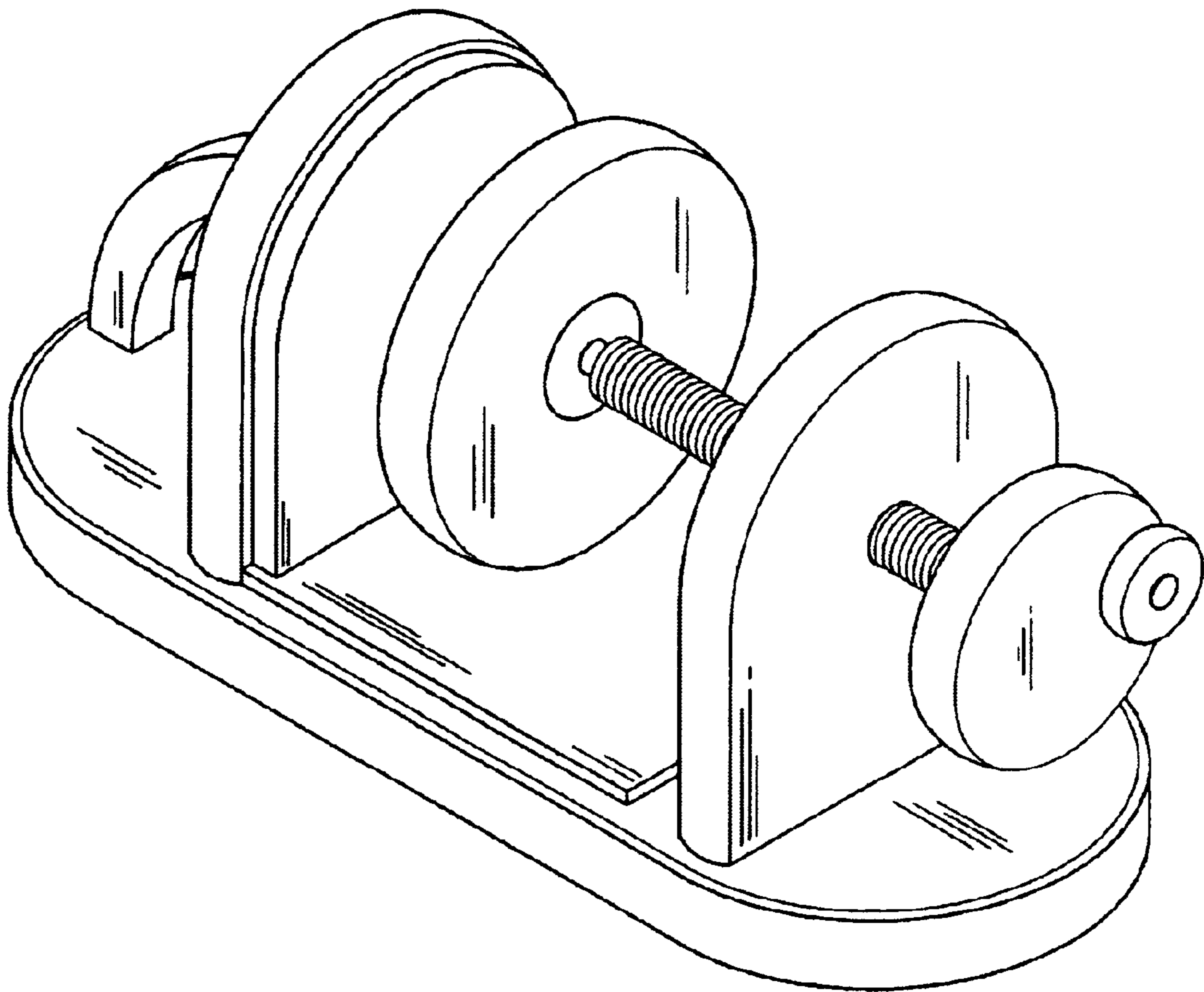


FIG. 7