

US00D495215S1

(12) **United States Design Patent**  
**Massey, Jr.**

(10) **Patent No.:** **US D495,215 S**

(45) **Date of Patent:** **\*\* Aug. 31, 2004**

(54) **SUSPENDED KNIFE HOLDER**

(74) *Attorney, Agent, or Firm*—Dority & Manning, P.A.

(76) **Inventor:** **George W. Massey, Jr.**, P.O. Box 774,  
Starr, SC (US) 29684

(57) **CLAIM**

The ornamental design for a suspended knife holder, as shown and described.

(\*\*) **Term:** **14 Years**

**DESCRIPTION**

(21) **Appl. No.:** **29/188,973**

FIG. 1 is a left front perspective view of a suspended knife holder illustrating my new design;

(22) **Filed:** **Aug. 27, 2003**

FIG. 2 is a top plan view further illustrating my design;

(51) **LOC (7) Cl.** ..... **07-07**

FIG. 3 is a front elevational view thereof;

(52) **U.S. Cl.** ..... **D7/637**

FIG. 4 is a side elevational view thereof;

(58) **Field of Search** ..... D7/637-641; 211/13.1,  
211/60.1, 70.6, 70.7, 69, 87.01; D6/567;  
248/37.3, 37.6, 176.1

FIG. 5 is a bottom plan view thereof;

FIG. 6 is a rear elevational view thereof;

FIG. 7 is a left front perspective view of a second embodiment of FIG. 1, the only difference being the detachment of a single identical unit and detachment of a single identical bolt, it being understood that the broken lines are for illustrative purposes and form no part of the design;

(56) **References Cited**

**U.S. PATENT DOCUMENTS**

4,183,439 A *	1/1980	Bell	.....	211/70.7
D285,517 S *	9/1986	Paulus	.....	D7/637
4,681,233 A *	7/1987	Roth	.....	211/70.6
5,050,749 A *	9/1991	Scaglione	.....	211/70.7
5,054,615 A *	10/1991	Stillwagon et al.	.....	211/70.6
5,615,782 A *	4/1997	Choe	.....	211/70.6
D443,799 S *	6/2001	Stuchlik, III	.....	D7/637

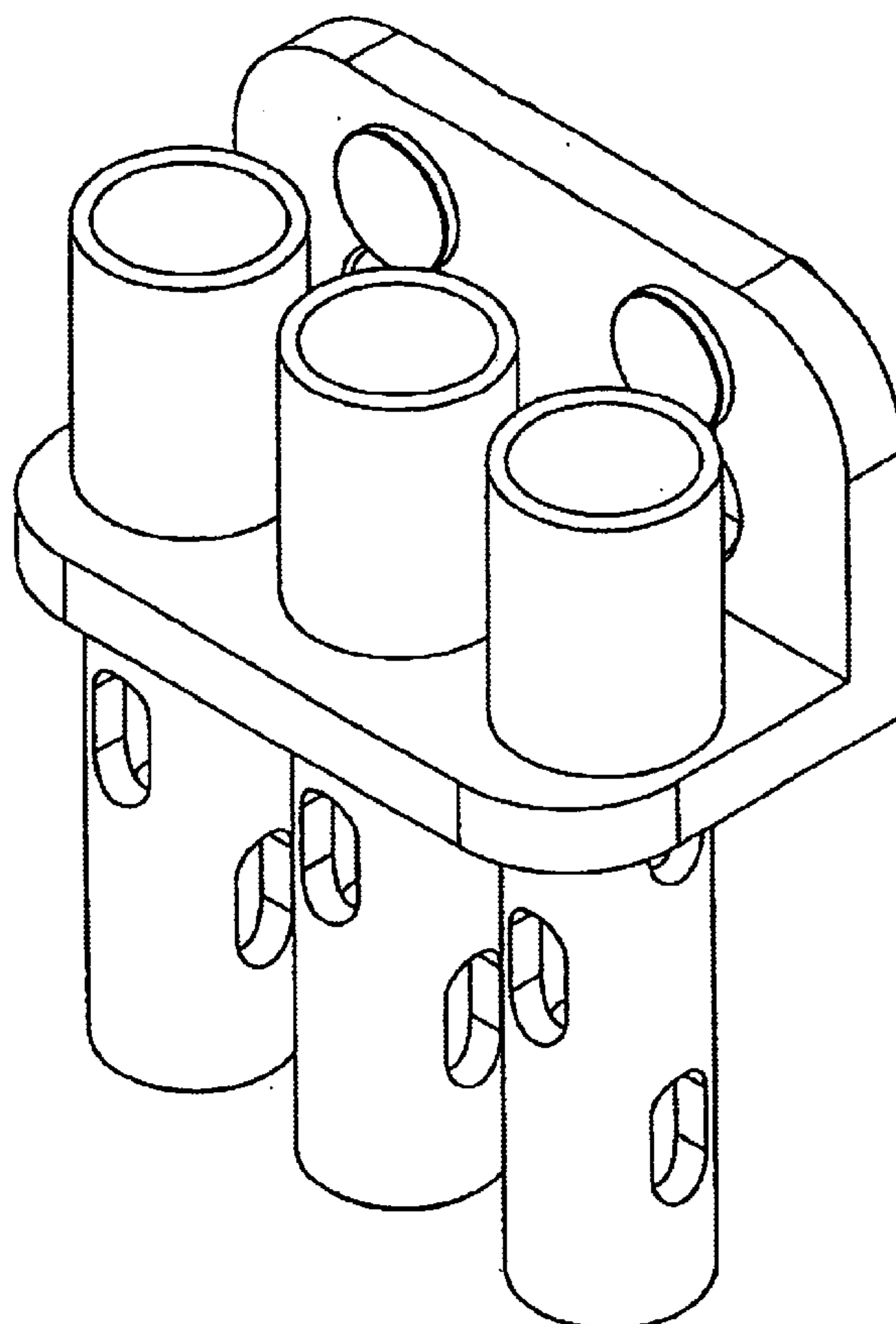
FIG. 8 is a longitudinal sectional view through line 8—8 of FIG. 2 illustrating the internal construction of a first embodiment of FIG. 1, wherein the broken lines are for illustrative purposes and form no part of the design; and,

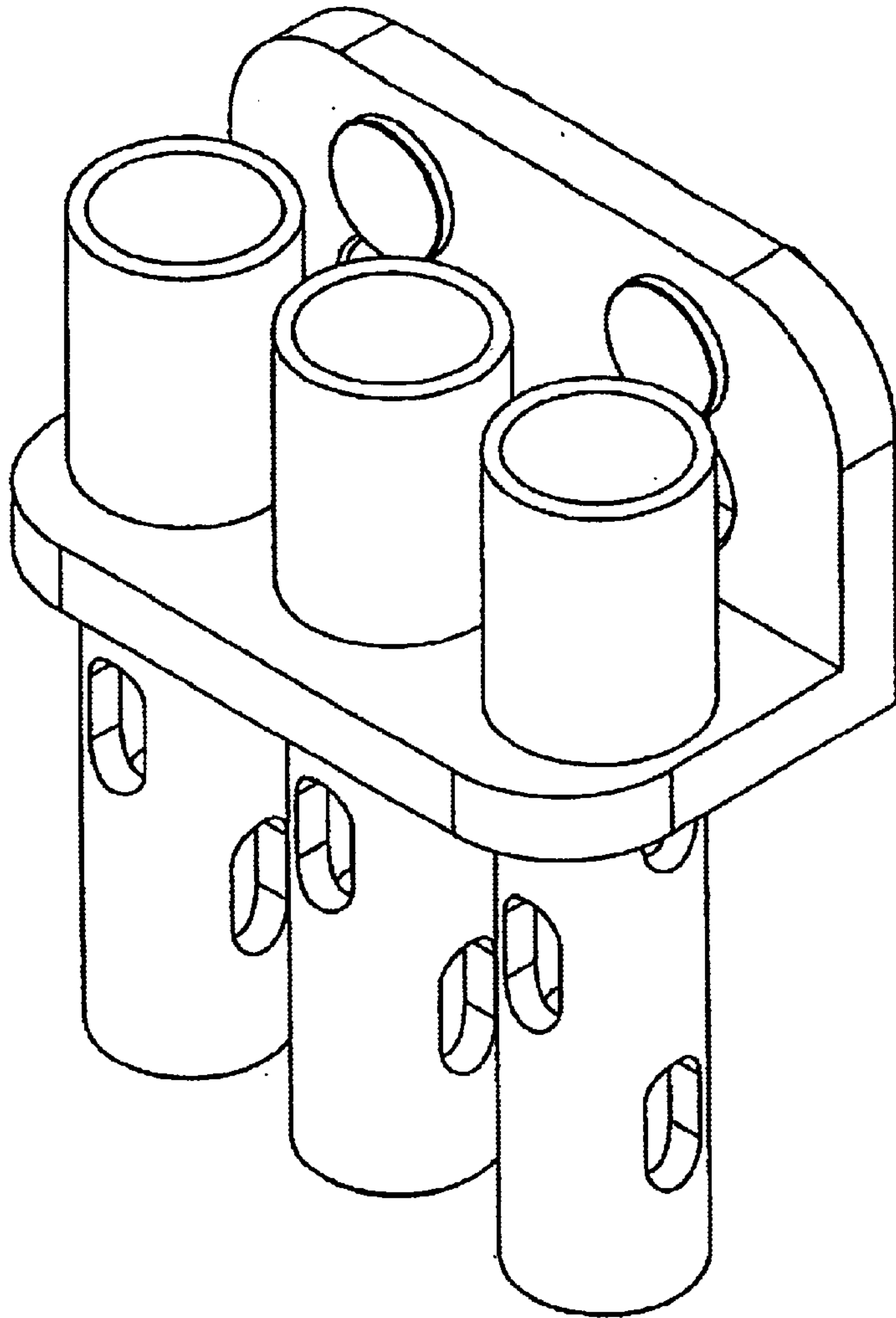
FIG. 9 is a left front perspective view of a third embodiment of FIG. 1, the only difference being the addition of three identical units.

\* cited by examiner

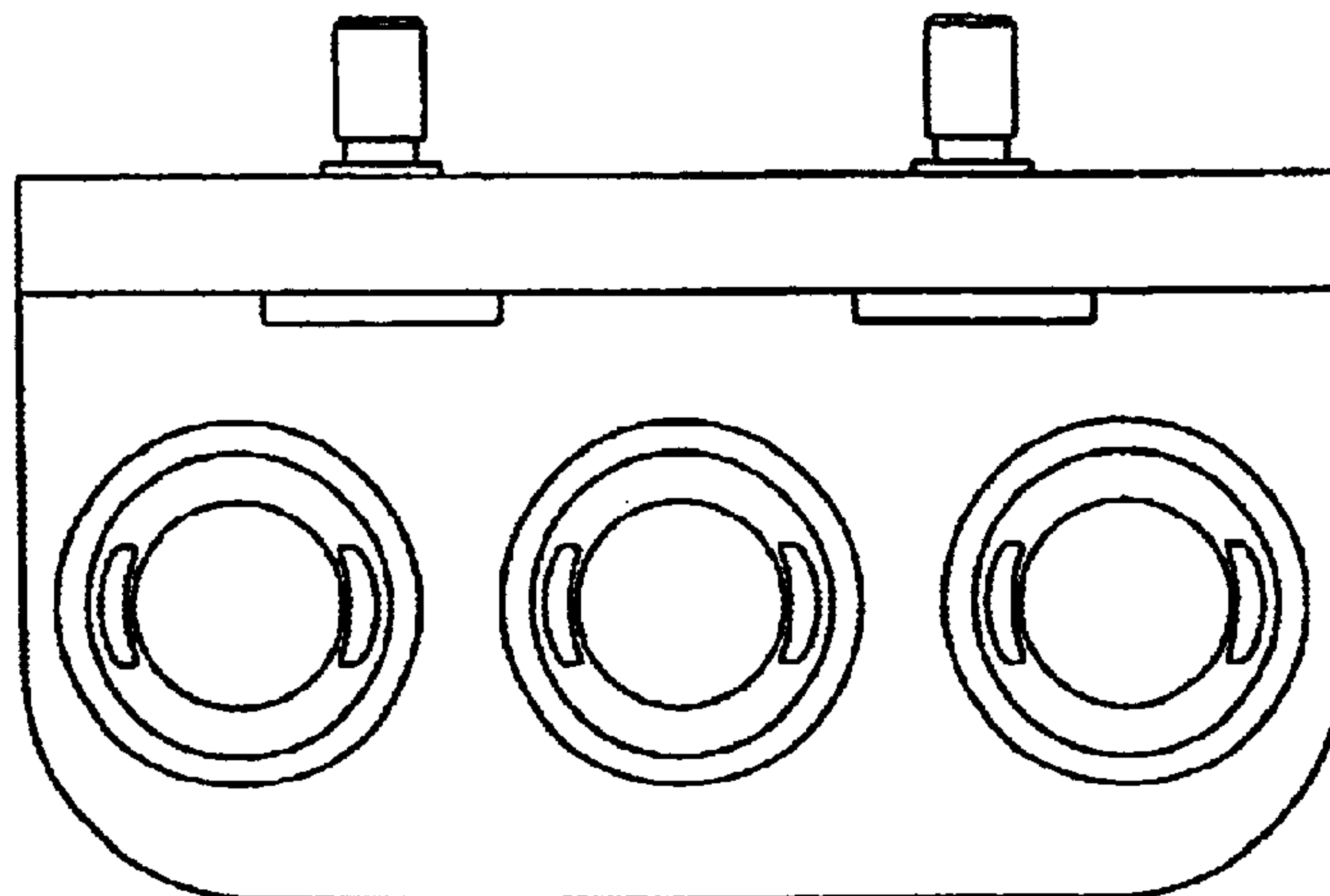
*Primary Examiner*—Terry A. Wallace

**1 Claim, 3 Drawing Sheets**

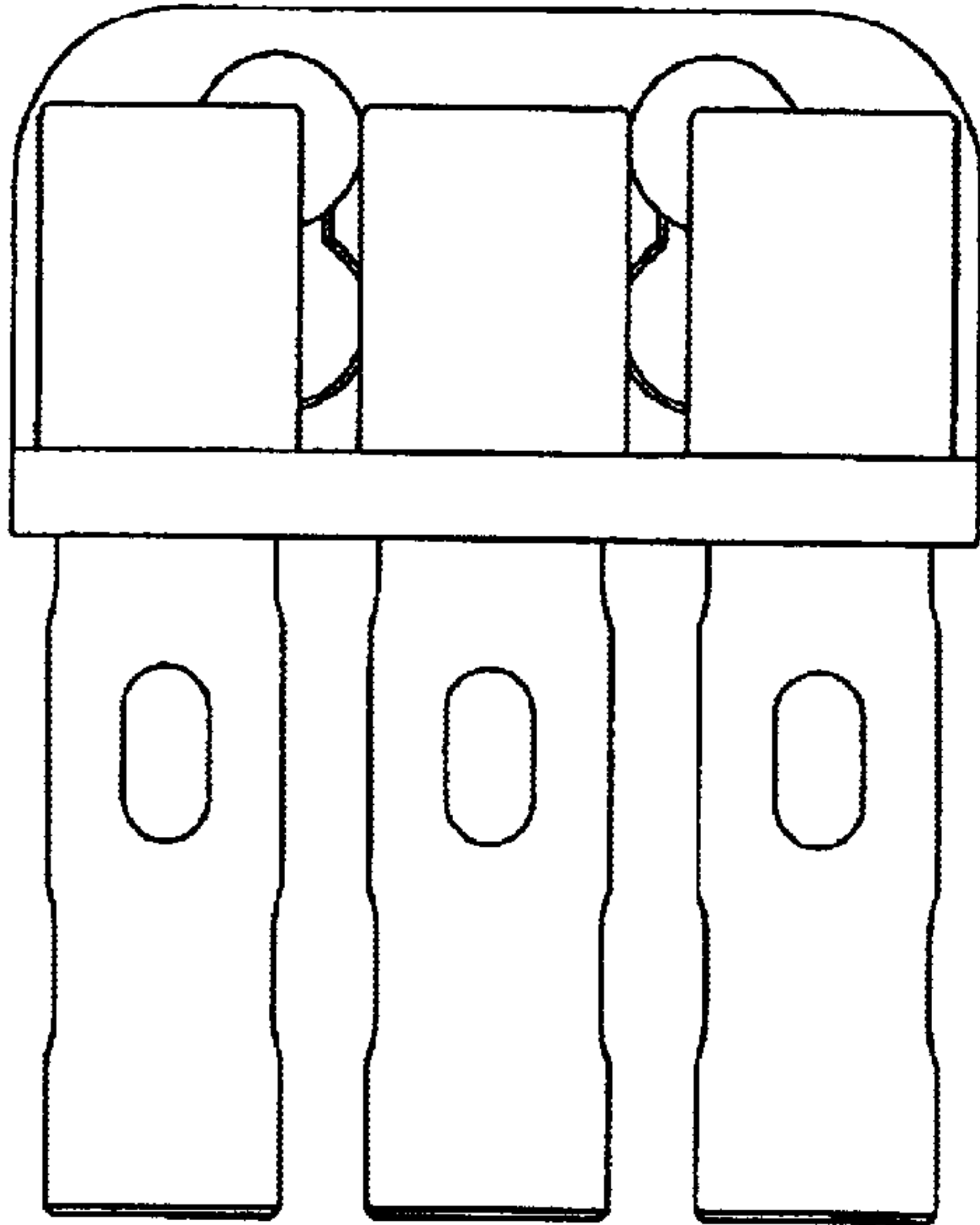




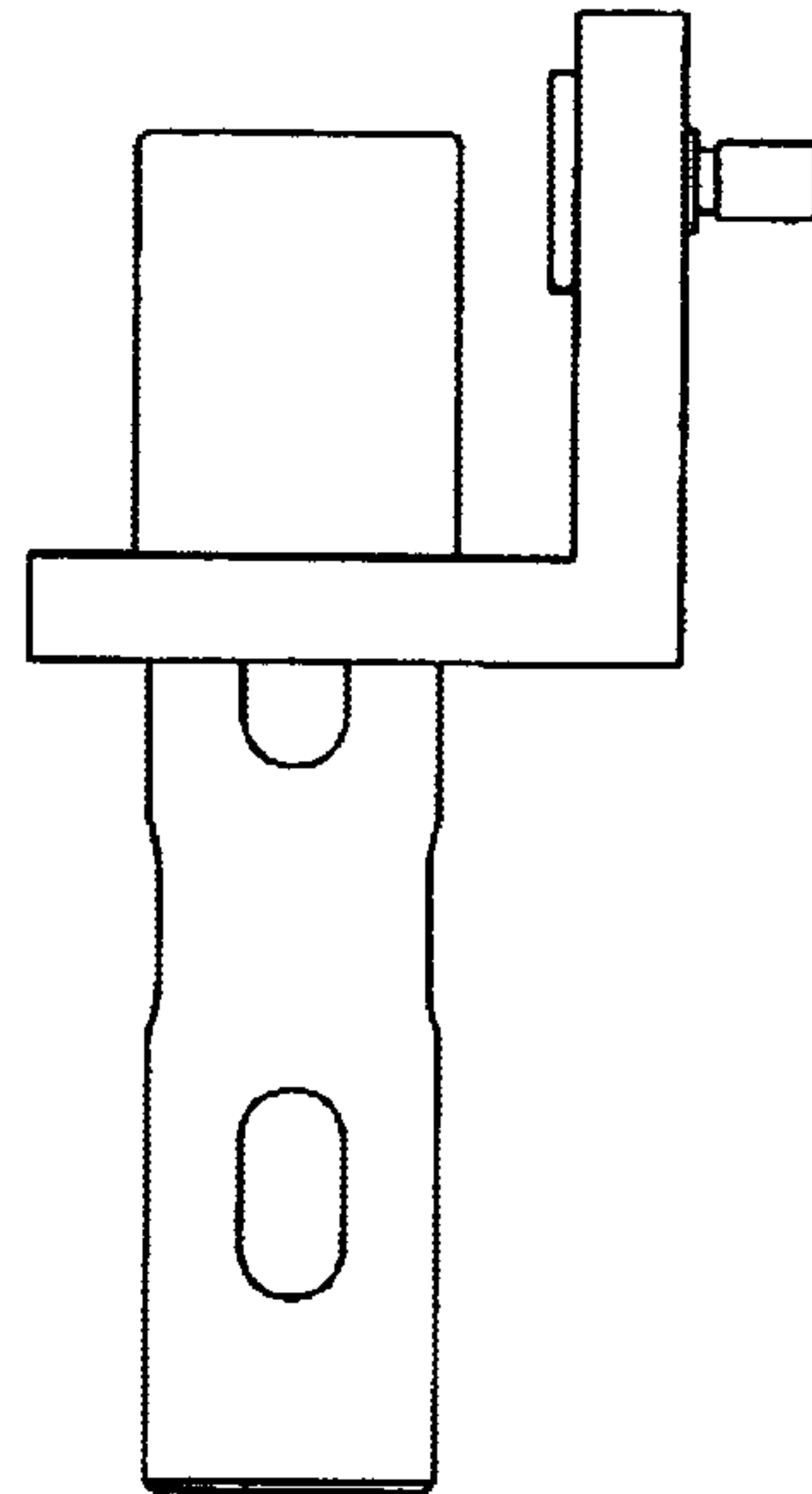
**Fig. 1.**



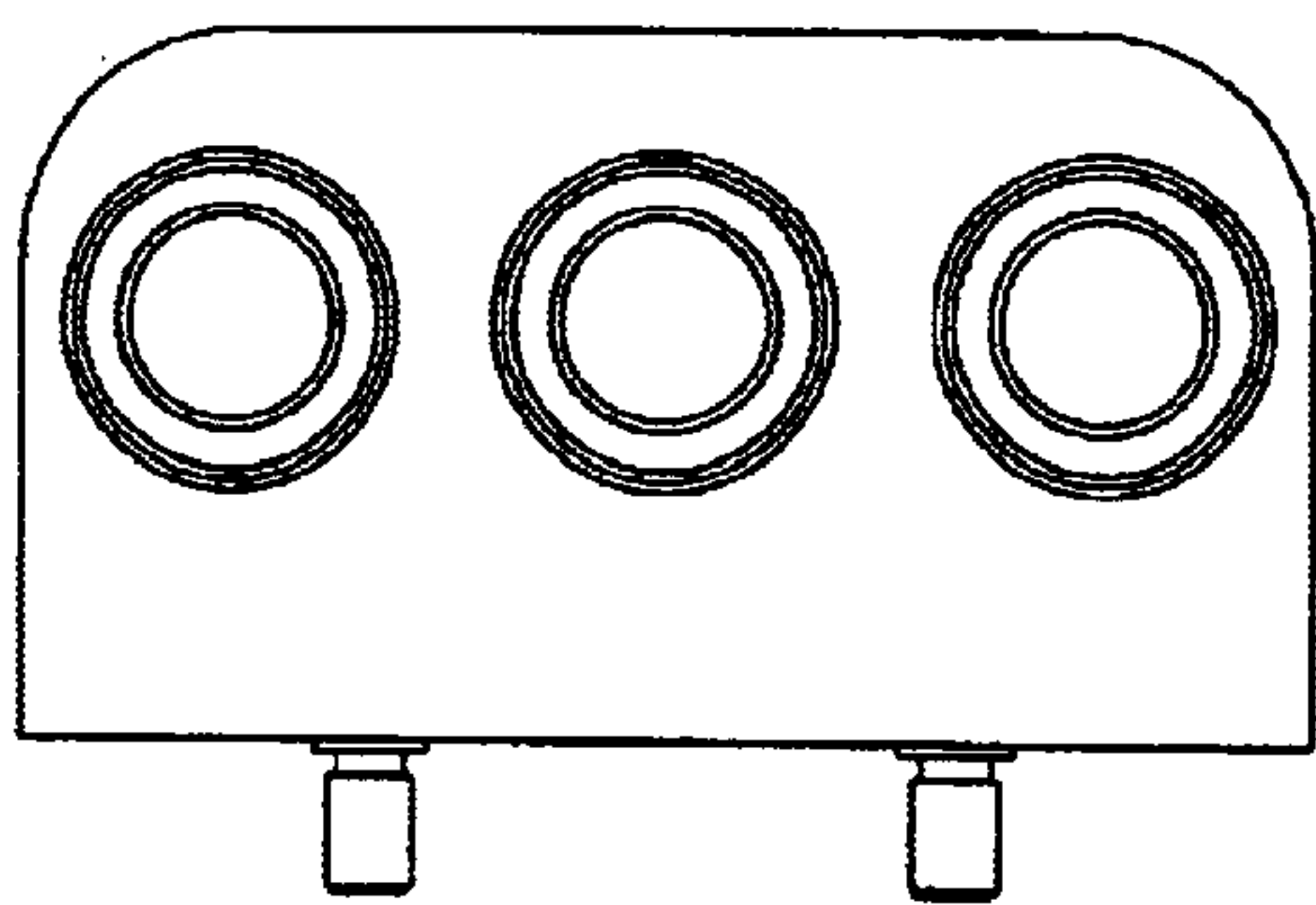
**Fig. 2.**



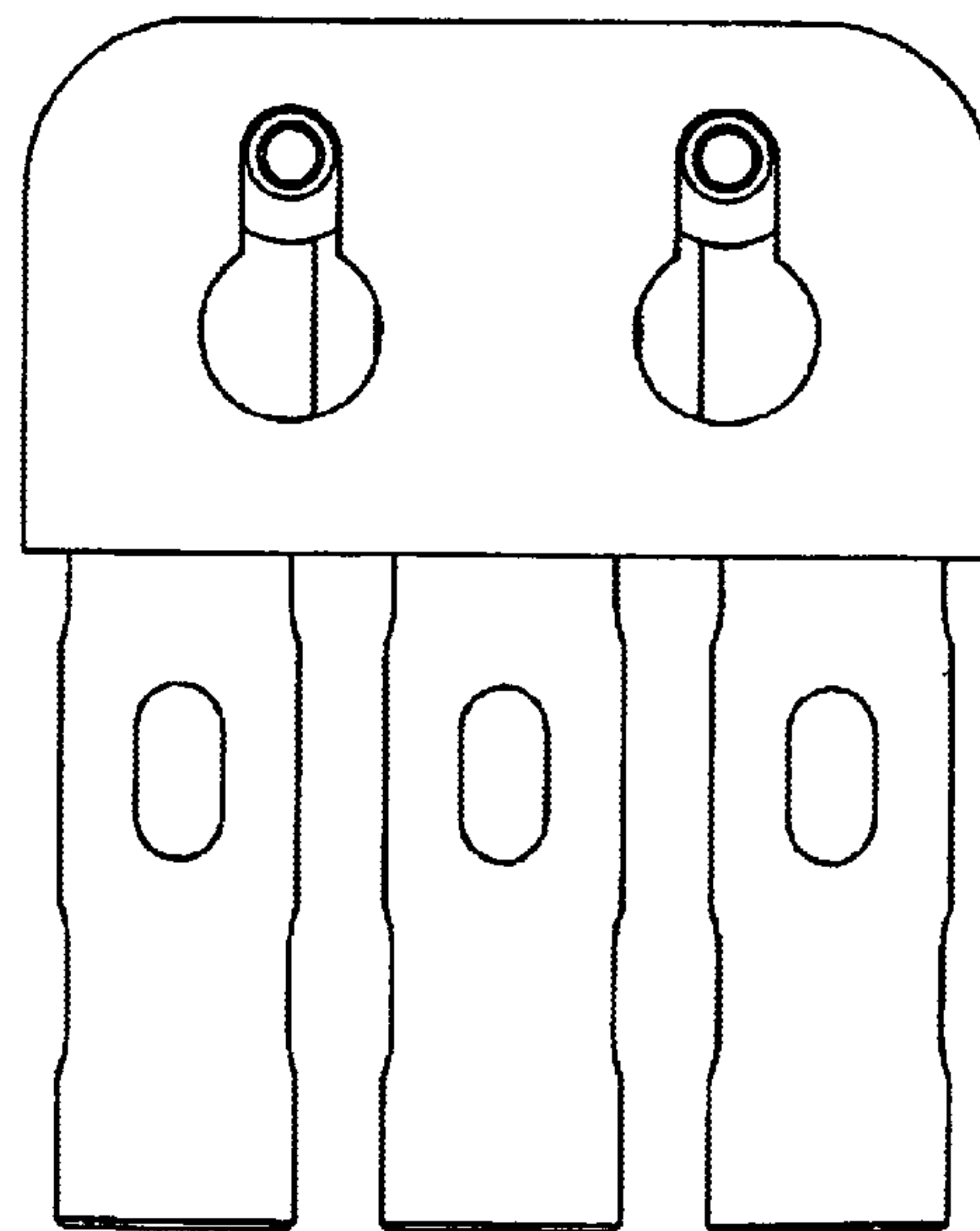
**Fig. 3.**



**Fig. 4.**



**Fig. 5.**



**Fig. 6**

