



US00D495212S1

(12) **United States Design Patent**  
**Martin**

(10) **Patent No.:** **US D495,212 S**

(45) **Date of Patent:** **\*\* Aug. 31, 2004**

(54) **CONTAINER ASSEMBLY**

(76) **Inventor:** **Laura Ann Martin**, 450 Avenue of the Americas, Apt. 3-C, New York, NY (US) 10011

(\*\*) **Term:** **14 Years**

(21) **Appl. No.:** **29/180,461**

(22) **Filed:** **Apr. 24, 2003**

**Related U.S. Application Data**

(63) Continuation of application No. 10/314,504, filed on Dec. 10, 2002.

(51) **LOC (7) Cl.** ..... **07-06**

(52) **U.S. Cl.** ..... **D7/592**

(58) **Field of Search** ..... D7/590-597, 701, D7/707, 708; D6/569, 514, 553; D9/574, 341, 500-504, 506, 515, 549, 559, 572-575; 211/71.01, 74, 75; 222/142.1-142.9, 480; 248/311.2, 206.5

(56) **References Cited**

**U.S. PATENT DOCUMENTS**

D190,510 S	*	6/1961	Grandinetti	.....	D7/592
3,731,819 A	*	5/1973	Sandhage	.....	211/74
D233,815 S	*	12/1974	Salviato	.....	D7/590
4,019,638 A	*	4/1977	Miller	.....	211/74
4,346,823 A		8/1982	Eppenbach		
D267,847 S		2/1983	Pielert		

4,378,889 A	4/1983	Lebowitz	
D303,900 S	10/1989	Ancona et al.	
D314,491 S	2/1991	Carter et al.	
5,020,699 A	6/1991	Sams	
5,123,574 A	6/1992	Poulos	
5,368,203 A	11/1994	Friedrich et al.	
5,407,107 A	4/1995	Smith	
D379,148 S	5/1997	Robbins, III et al.	
5,655,673 A	8/1997	Weterrings et al.	
5,871,107 A	2/1999	Johnson et al.	
D407,306 S	* 3/1999	Saab	..... D9/341
6,039,224 A	3/2000	Dallas, Jr. et al.	
6,047,837 A	4/2000	Kessens	
6,279,760 B1	8/2001	Broeski	
6,283,339 B1	9/2001	Morrow	
D468,162 S	1/2003	Martin	

\* cited by examiner

*Primary Examiner*—Terry A. Wallace  
*(74) Attorney, Agent, or Firm*—Robert B. Reeser, III; Armstrong Teasdale LLP

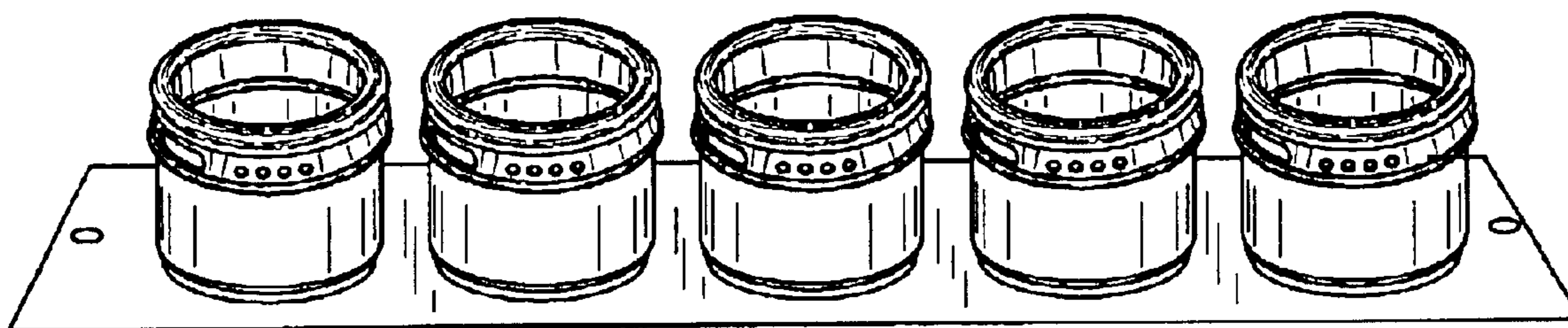
(57) **CLAIM**

I claim the ornamental design for a container assembly, as shown and described.

**DESCRIPTION**

FIG. 1 is a perspective view of an exemplary spice container; and, FIG. 2 is a perspective view of an exemplary spice rack including the spice container as shown in FIG. 1.

**1 Claim, 1 Drawing Sheet**



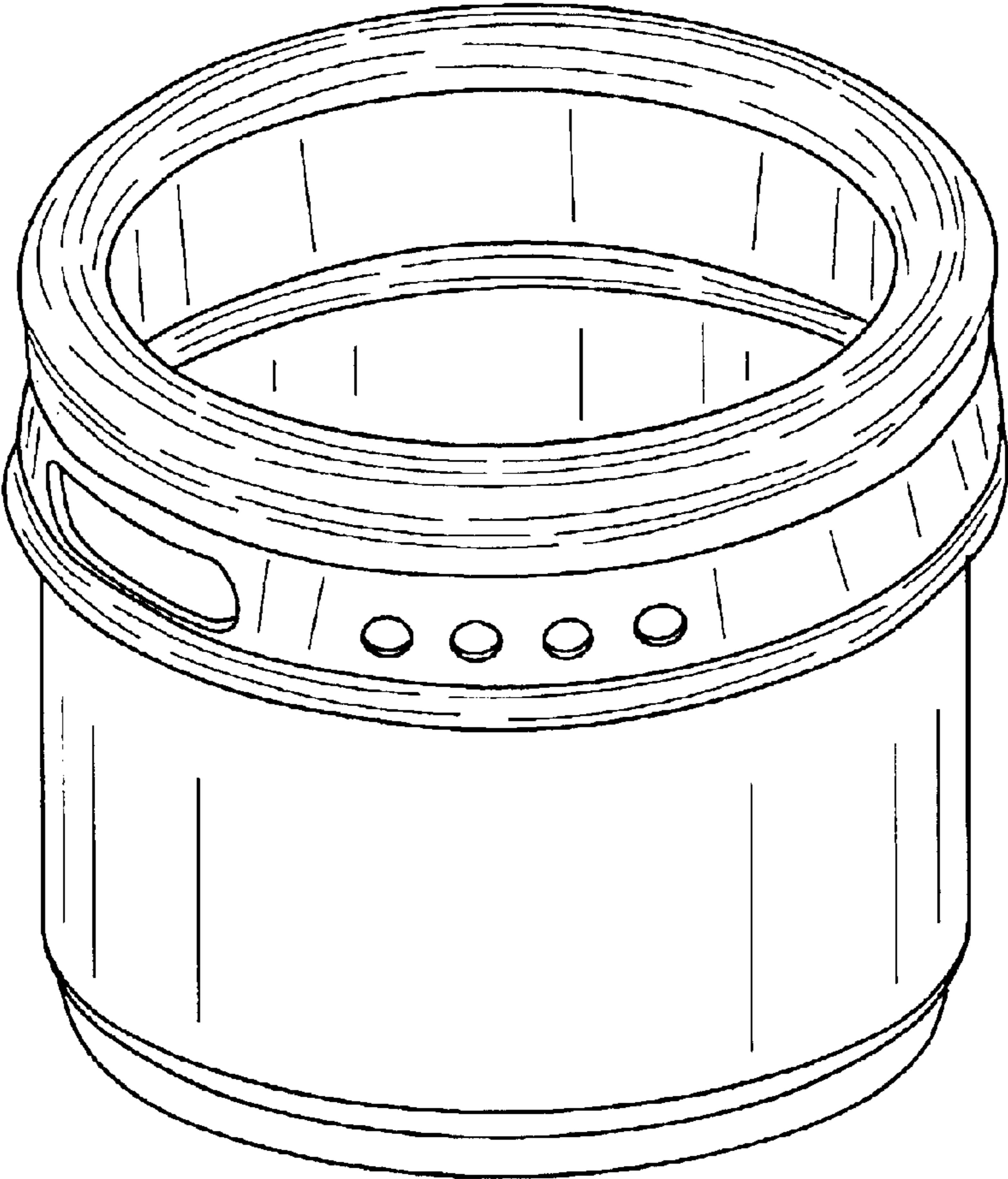


FIG. 1

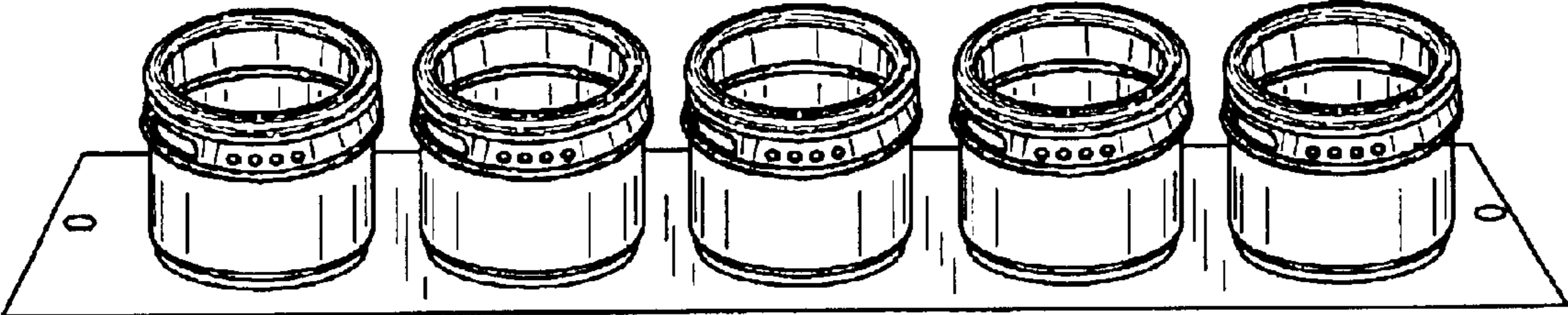


FIG. 2