

US00D495209S1

(12) **United States Design Patent** (10) **Patent No.:** **US D495,209 S**
Tranfaglia et al. (45) **Date of Patent:** **** Aug. 31, 2004**

(54) **CUP HAVING INWARDLY FOLDING LIDS**

(75) Inventors: **Christina M. Tranfaglia**, Glenview, IL (US); **Jim F. Warner**, Westfield, NJ (US); **Ethan J. Shiloh**, New York, NY (US); **Noah E. King**, Brooklyn, NY (US)

(73) Assignee: **Pactiv Corporation**, Lake Forest, IL (US)

(**) Term: **14 Years**

(21) Appl. No.: **29/186,441**

(22) Filed: **Jul. 15, 2003**

(51) **LOC (7) Cl.** **07-01**

(52) **U.S. Cl.** **D7/512; D7/509; D7/510**

(58) **Field of Search** D7/507, 509, 510, D7/511, 512, 523, 316; D9/423, 306, 431, 433, 305; D24/121; D34/7; 99/403; 220/703, 834, 592.16, 592.17; 229/104, 404, 128, 400, 117.14, 125, 402; 493/480

(56) **References Cited**

U.S. PATENT DOCUMENTS

359,435 A	3/1887	Elliott	
667,634 A *	2/1901	Schmidt	229/128
1,375,778 A	4/1921	Clearwater	
2,016,964 A	10/1935	Huffman	113/120
2,646,200 A	7/1953	Atkins	229/7
2,812,121 A	1/1957	Sheets	222/528
2,964,227 A	12/1960	Goldsholl	229/21
3,047,179 A	7/1962	Madej	215/73
3,090,542 A	5/1963	Miller	229/51
3,150,811 A	9/1964	Amberg	229/5.5
3,190,440 A	6/1965	Palmer	206/45.31
3,315,866 A	4/1967	Kersh et al.	229/7
3,334,797 A	8/1967	Latham et al.	229/7

(List continued on next page.)

FOREIGN PATENT DOCUMENTS

CA	2311058	1/2002	B65D/3/10
FR	73.16278	11/1974	B31B/5/26
GB	773138	4/1957		
GB	796271	6/1958		
GB	2269811 A	2/1994	B65D/47/08
WO	WO 01/94215 A1	12/2001	B65D/3/26

OTHER PUBLICATIONS

U.S. Provisional Patent Application Disposable Cup with Fold Down Lid; George E. Sarson et al.; PAT 52192P-2; filed Jul. 17, 2002.

Primary Examiner—M. N. Pandozzi

(74) *Attorney, Agent, or Firm*—Jenkins & Gilchrist

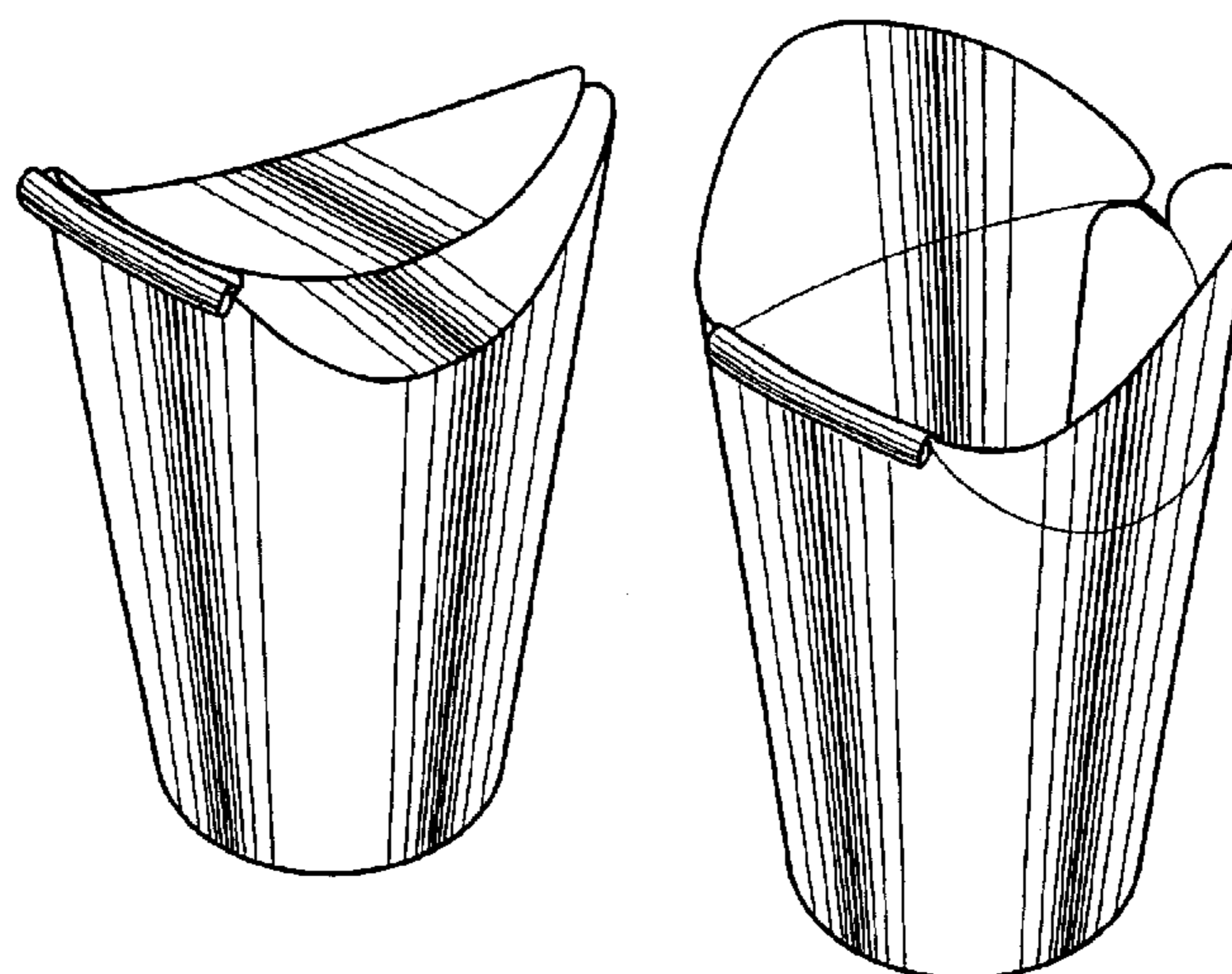
(57) **CLAIM**

The ornamental design for a cup having inwardly folding lids, as shown.

DESCRIPTION

FIG. 1 is a perspective view of a cup having inwardly folding lids; the lids being shown in an open position. FIG. 2 is a right-side view of the cup of FIG. 1. FIG. 3 is a front-side view of the cup of FIG. 1. FIG. 4 is a left-side view of the cup of FIG. 1. FIG. 5 is a back-side view of the cup of FIG. 1. FIG. 6 is a top view of the cup of FIG. 1. FIG. 7 is a bottom view of the cup of FIG. 1. FIG. 8 is a perspective view of the cup having inwardly folding lids of FIG. 1; the lids being shown in a closed position. FIG. 9 is a right-side view of the cup of FIG. 8. FIG. 10 is a front-side view of the cup of FIG. 8. FIG. 11 is a left-side view of the cup of FIG. 8. FIG. 12 is a back-side view of the cup of FIG. 8. FIG. 13 is a top view of the cup of FIG. 8; and, FIG. 14 is a bottom view of the cup of FIG. 8.

1 Claim, 2 Drawing Sheets



US D495,209 S

Page 2

U.S. PATENT DOCUMENTS

3,343,743 A	9/1967	Hamilton, Jr. et al.	229/21	D306,975 S	4/1990	Brondyke et al.	D9/431
3,595,446 A	7/1971	Hellstrom	222/213	4,915,235 A	4/1990	Roosa	206/611
3,630,430 A	12/1971	Struble	229/16 B	5,061,501 A	10/1991	Lowe	426/124
3,713,576 A	1/1973	Goebel	229/21	5,301,870 A	4/1994	Smith et al.	229/1.5
3,765,594 A	10/1973	Cramphorn	229/37	5,358,175 A *	10/1994	Cai	229/117.14
3,799,425 A	3/1974	Fanter	229/39 R	5,588,552 A	12/1996	Johnson	220/712
3,806,023 A	4/1974	Barnett	229/43	5,605,279 A	2/1997	Adamek	229/116.1
3,929,222 A	12/1975	Smith et al.	206/45.14	5,645,191 A	7/1997	Neville	220/717
3,964,606 A	6/1976	Hogg et al.	206/395	5,676,306 A *	10/1997	Lankin et al.	229/404
3,971,503 A	7/1976	Allan et al.	229/38	5,720,429 A	2/1998	Cordle	229/120.18
4,032,005 A	6/1977	Vereb	206/45.14	D395,503 S	6/1998	Kushnir	D24/121
4,135,512 A	1/1979	Godsey	128/222	5,875,957 A	3/1999	Yocum	229/120.22
4,185,764 A	1/1980	Cote	229/16 R	5,911,358 A	6/1999	Kenner et al.	229/116.1
4,210,240 A	7/1980	Fricano	206/45.31	5,960,987 A	10/1999	Solland et al.	220/834
4,216,880 A	8/1980	Drelichowski	222/83	5,979,745 A	11/1999	Surlina	229/106
4,267,955 A	5/1981	Struble	229/16 R	D418,368 S	1/2000	Solland et al.	D7/510
4,356,951 A	11/1982	Sharp	229/17	D433,330 S *	11/2000	Hudson	D9/431
4,368,841 A	1/1983	Eddy	229/5.5	6,164,488 A	12/2000	Solland et al.	220/834
4,572,413 A	2/1986	Vogt	222/528	6,176,420 B1 *	1/2001	Sarson et al.	229/128
4,620,665 A *	11/1986	McSherry	229/125	D453,446 S *	2/2002	Bodum	D7/510
4,711,389 A	12/1987	Alba et al.	229/1.5	D469,691 S *	2/2003	Brondyke et al.	D9/431
4,712,725 A	12/1987	Moore	229/8	D474,367 S *	5/2003	Turchi et al.	D7/316
4,714,190 A	12/1987	Morrocco	229/1.5	6,592,504 B2 *	7/2003	Sarson et al.	493/104
4,886,206 A	12/1989	Martinex	229/123.1	2002/0052286 A1 *	5/2002	Sarson et al.	493/480
4,887,709 A	12/1989	Shimamine	206/45.14				

* cited by examiner

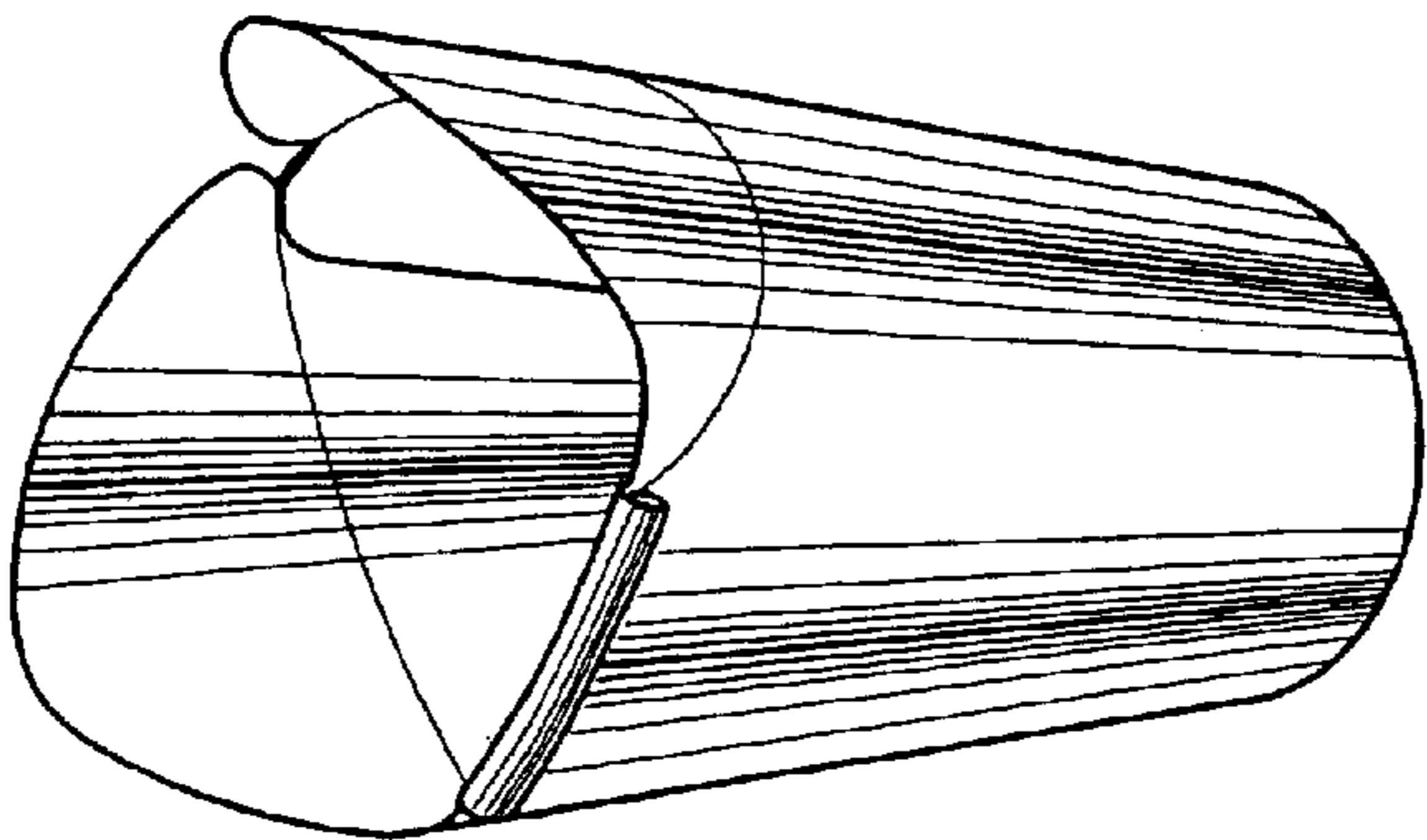


Fig. 1

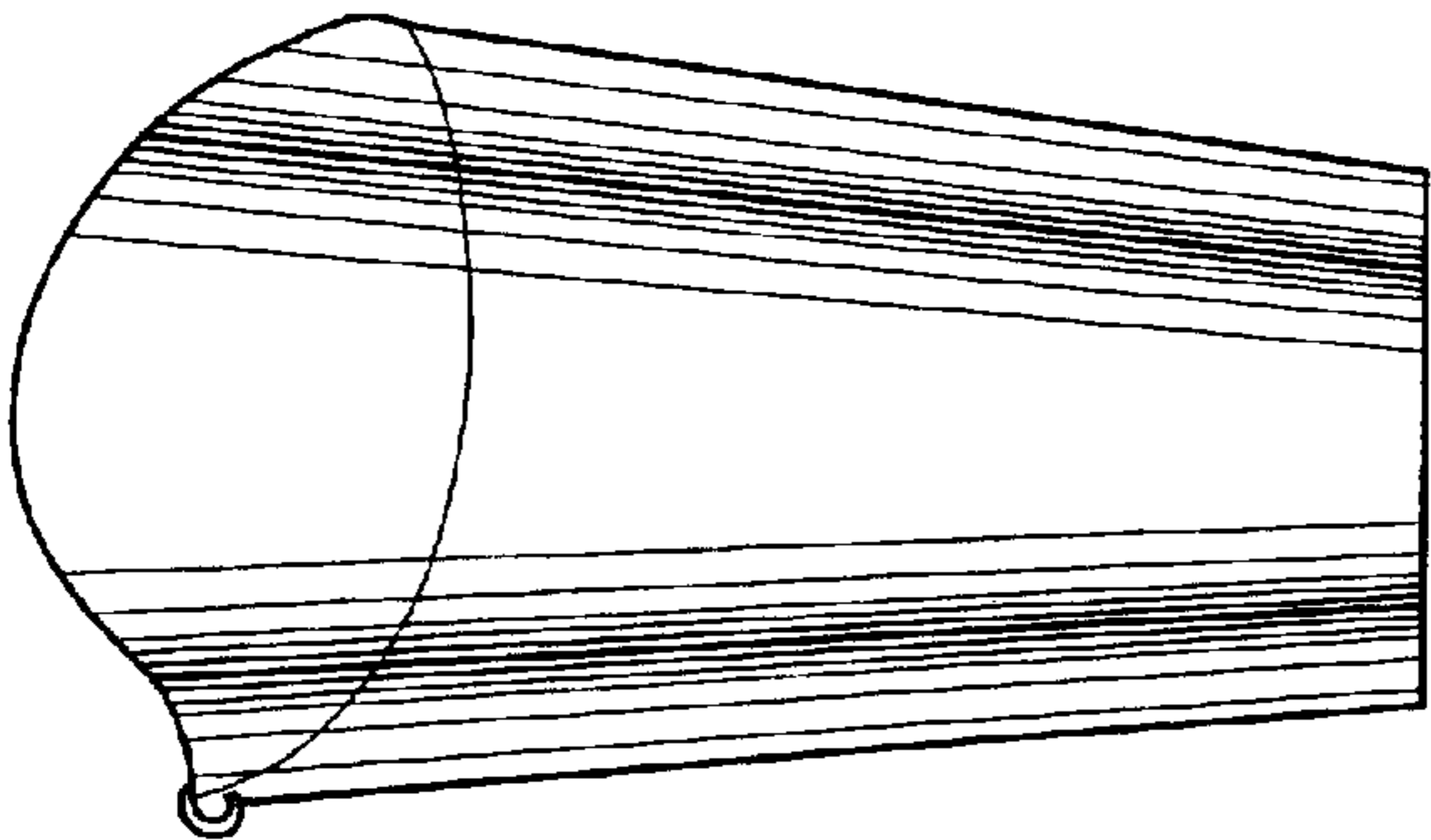


Fig. 2

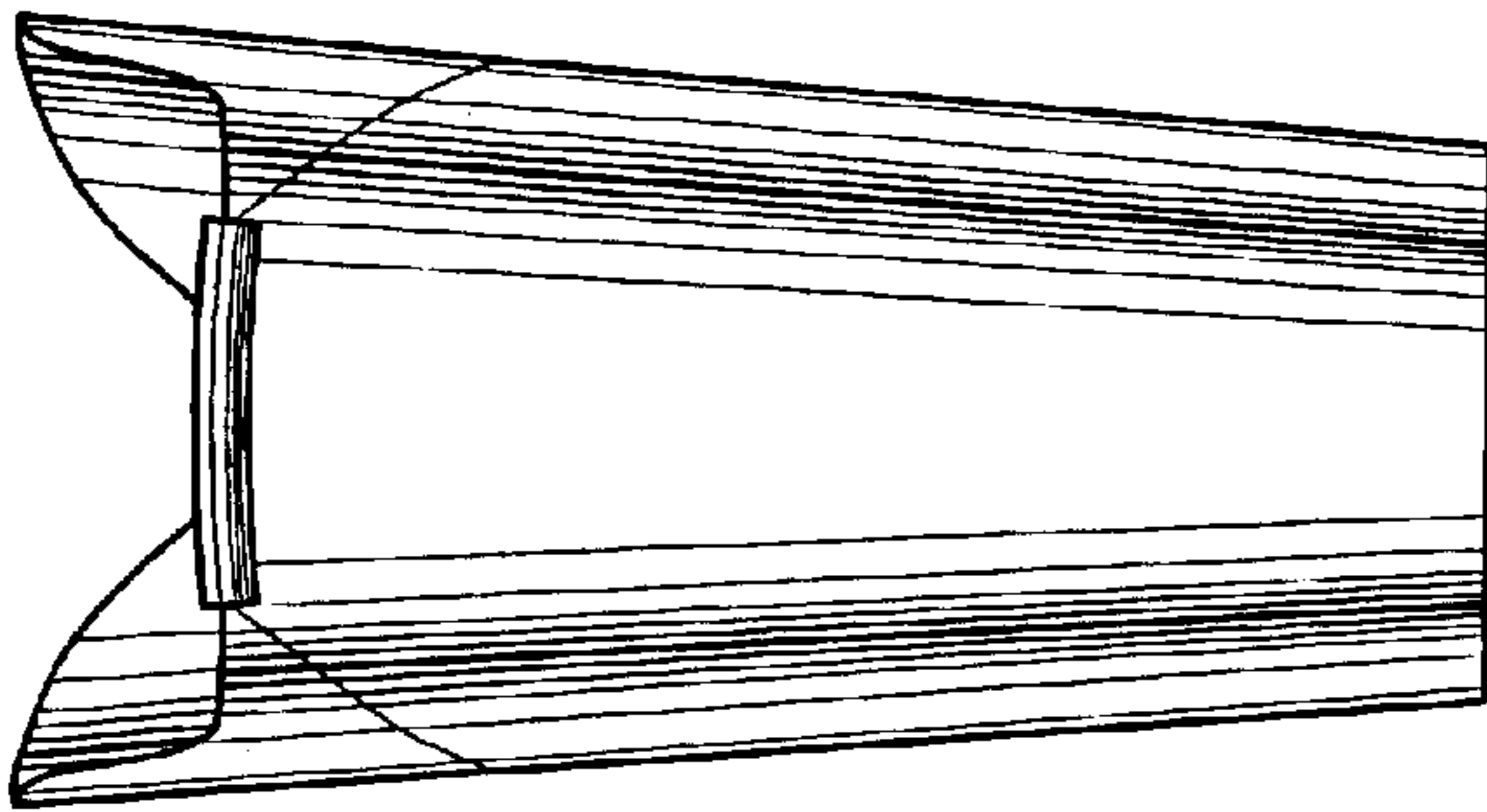


Fig. 3

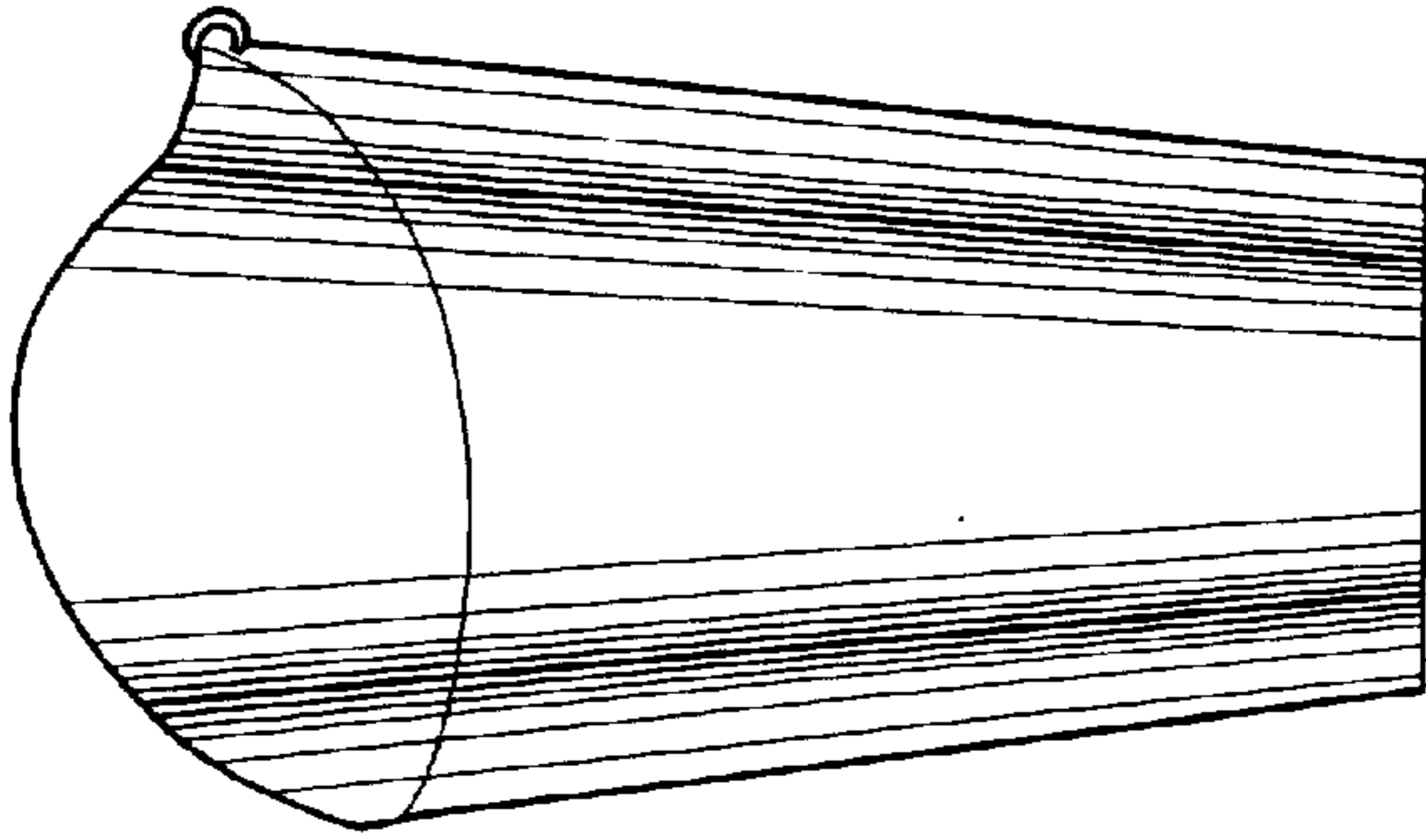


Fig. 4

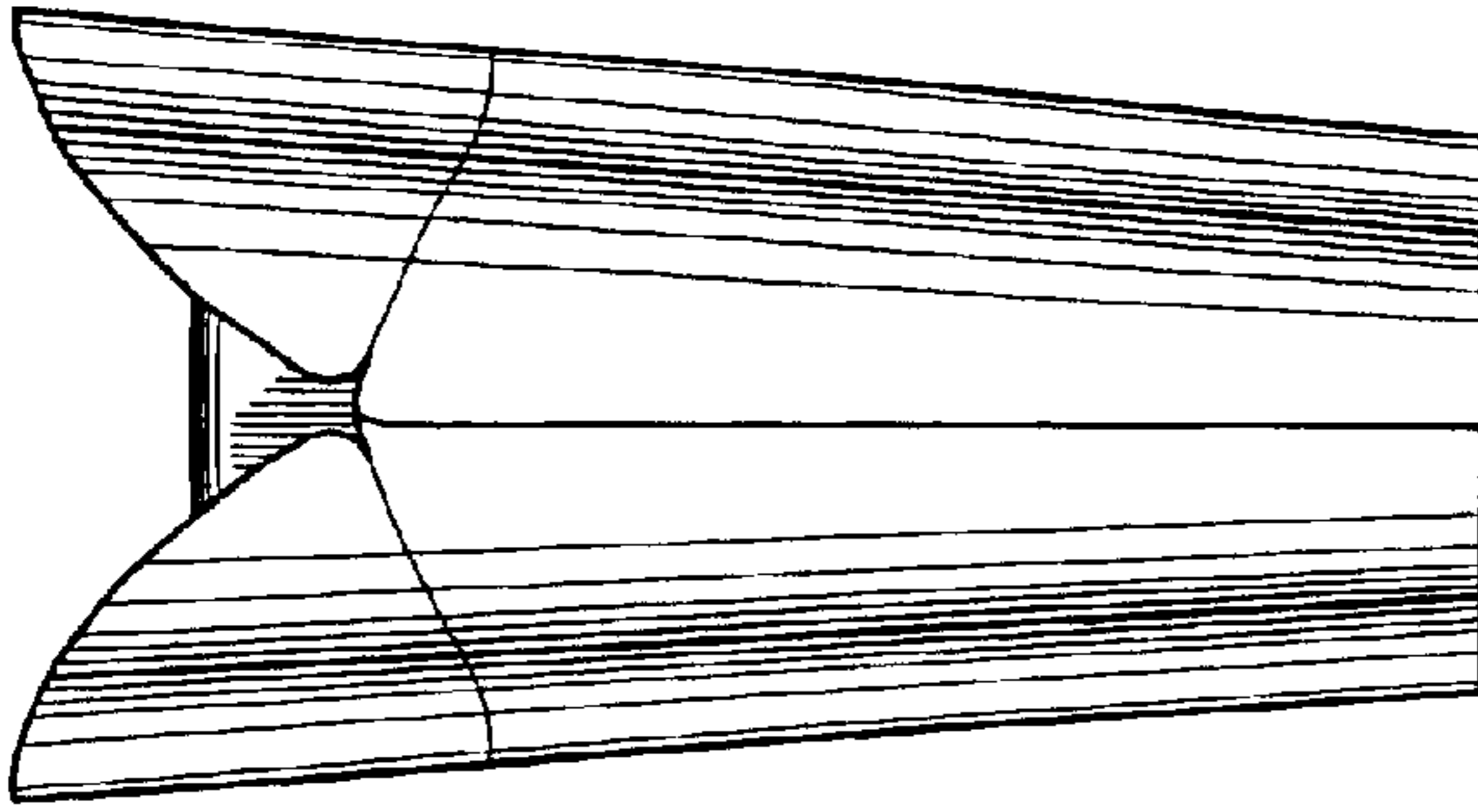


Fig. 5

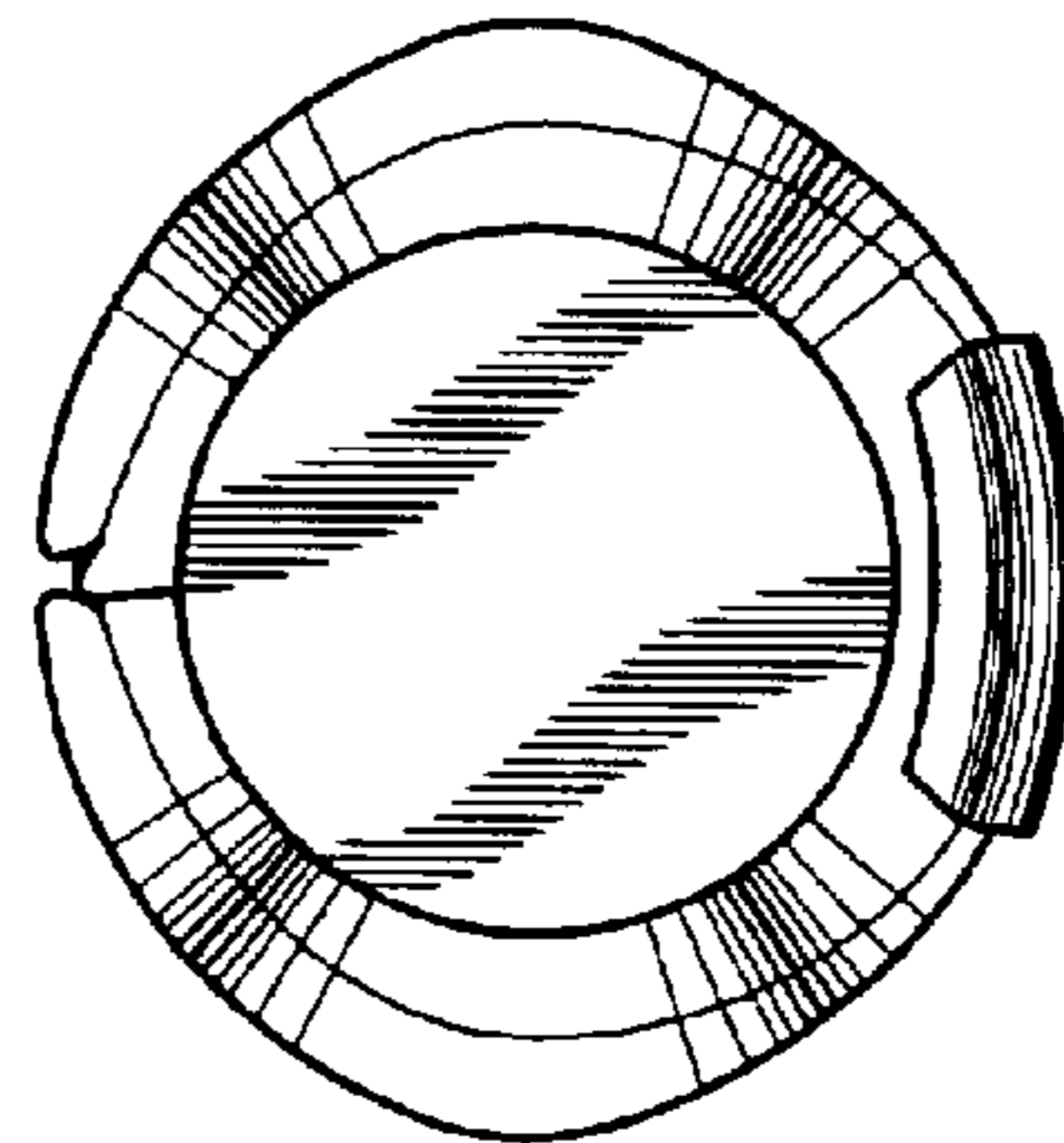


Fig. 6

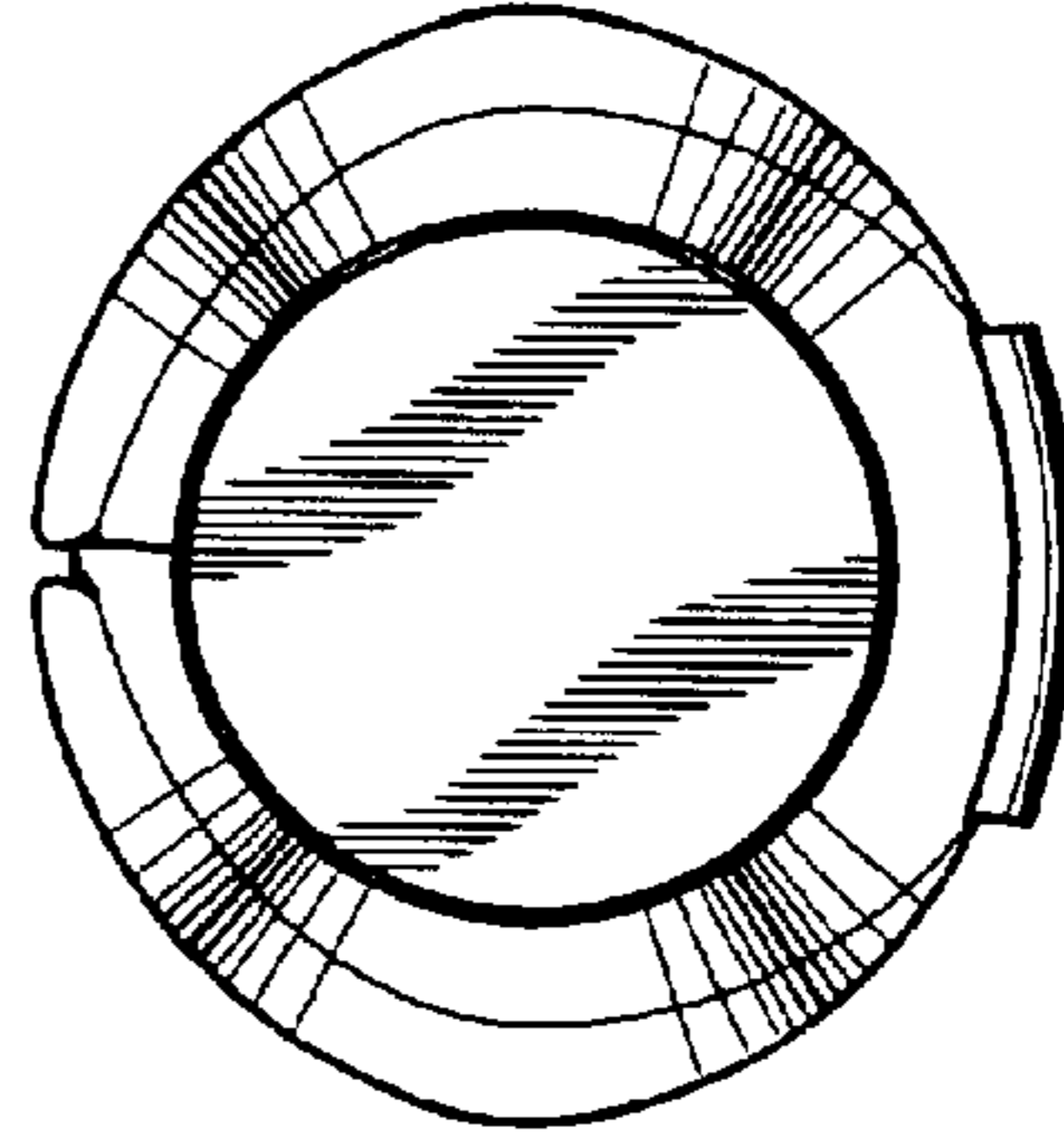


Fig. 7

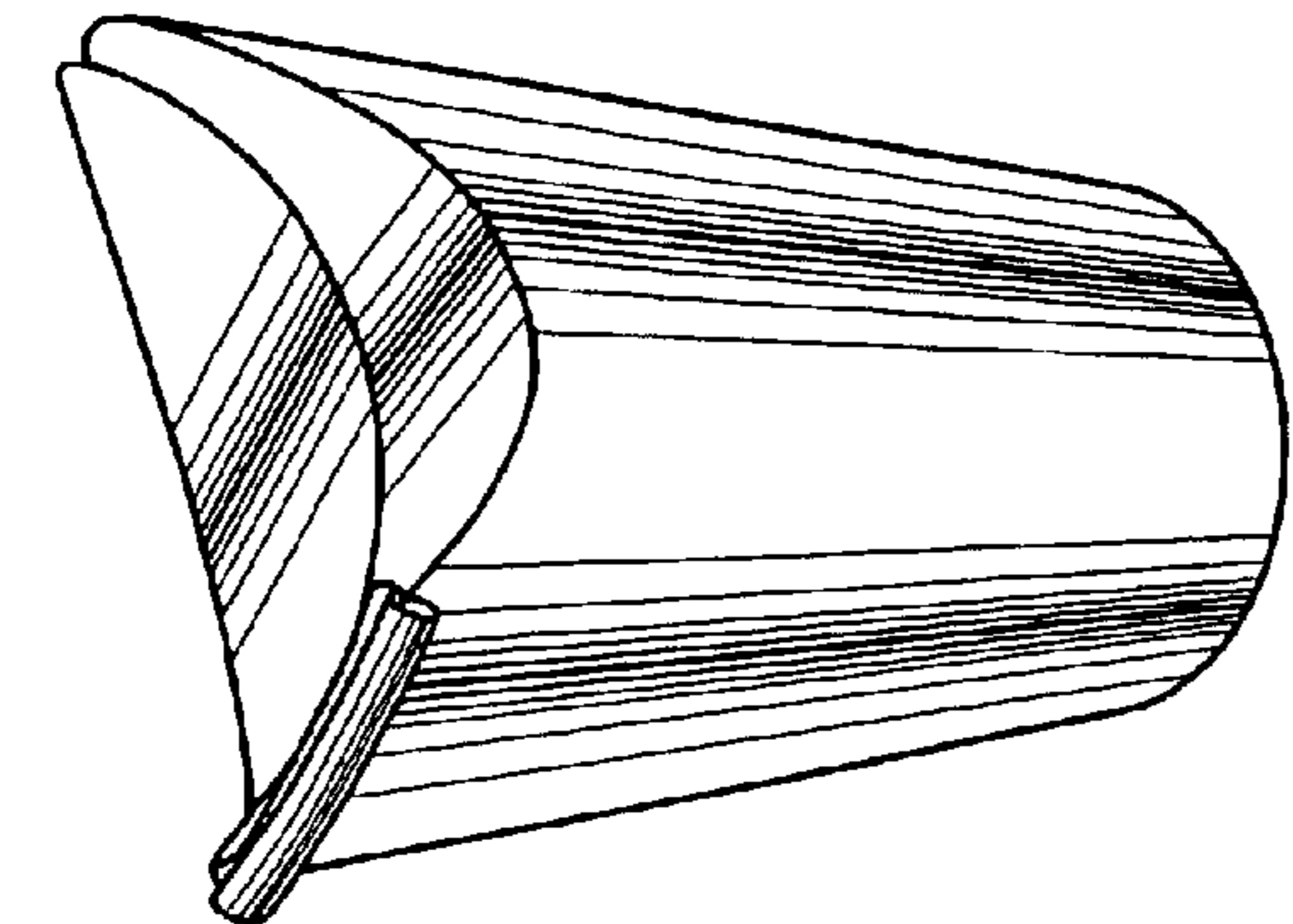


Fig. 8

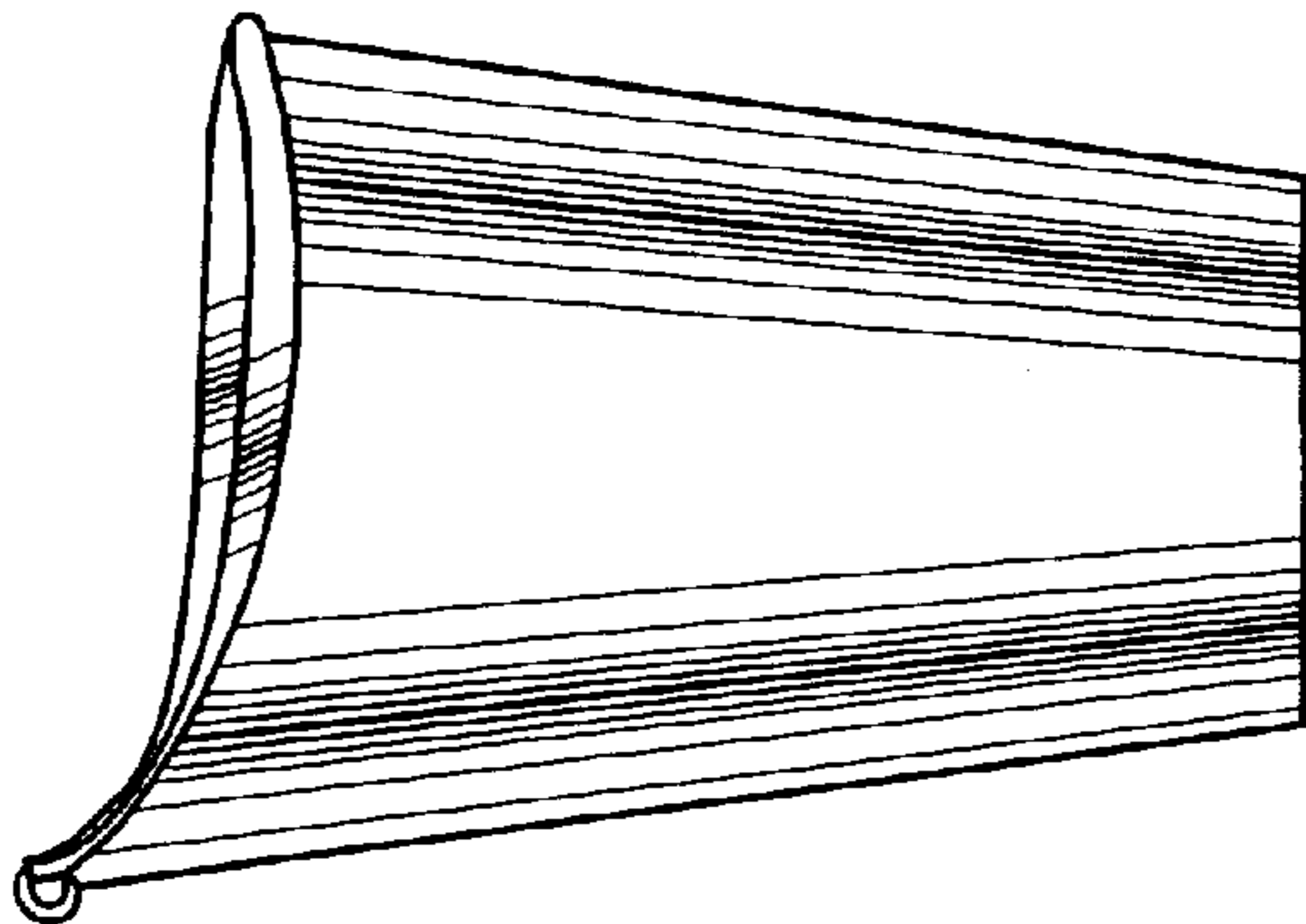


Fig. 9

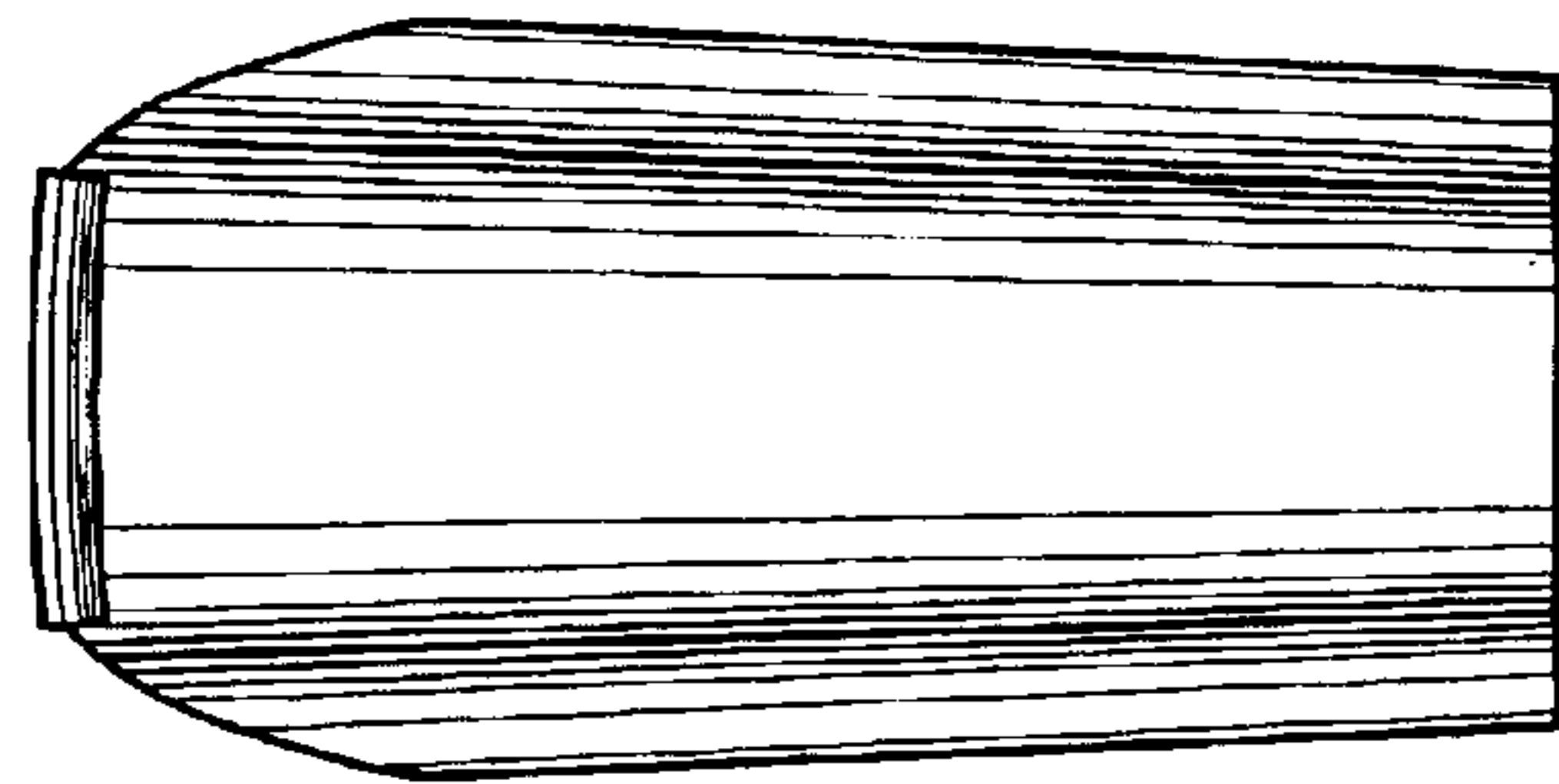


Fig. 10

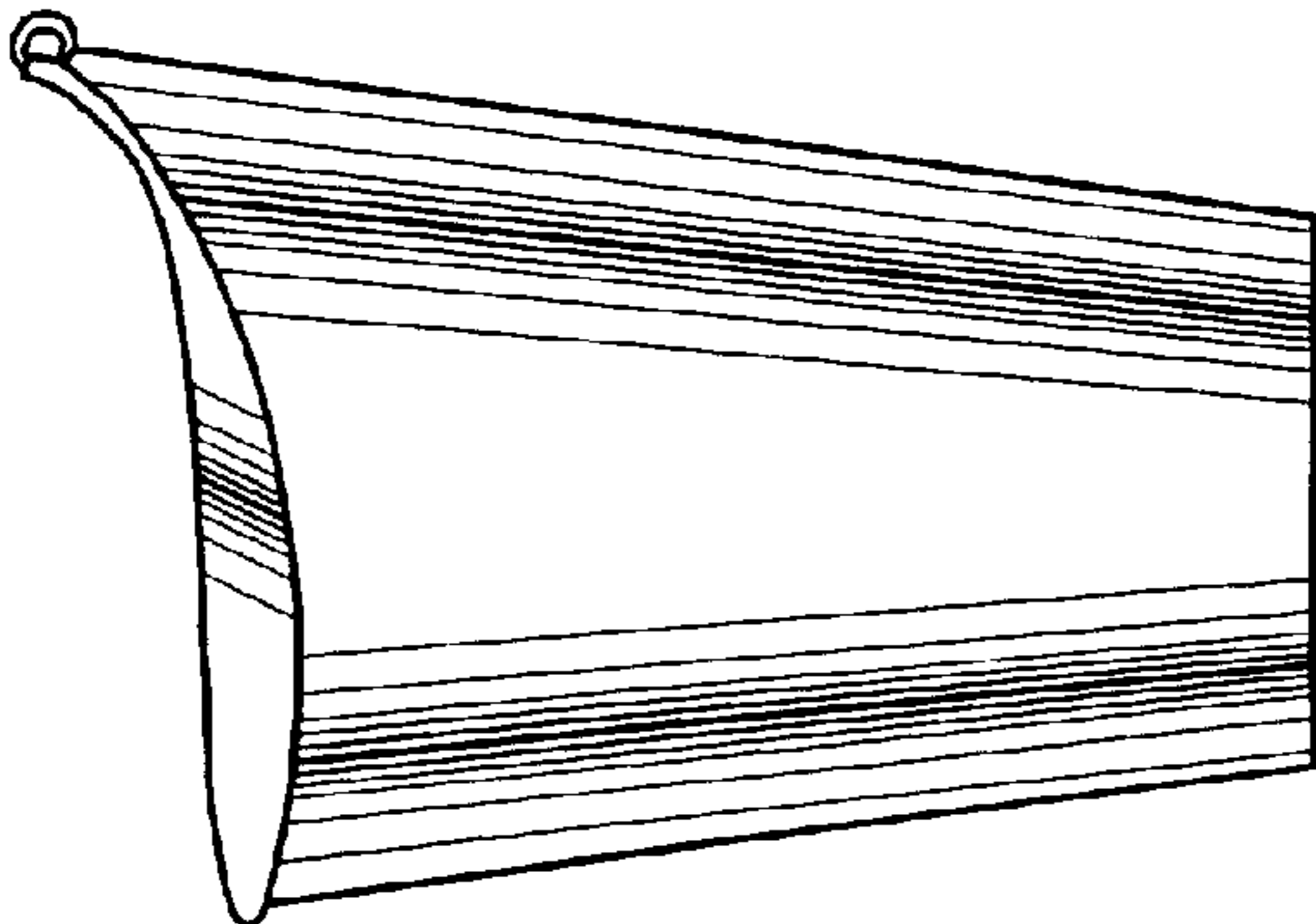


Fig. 11

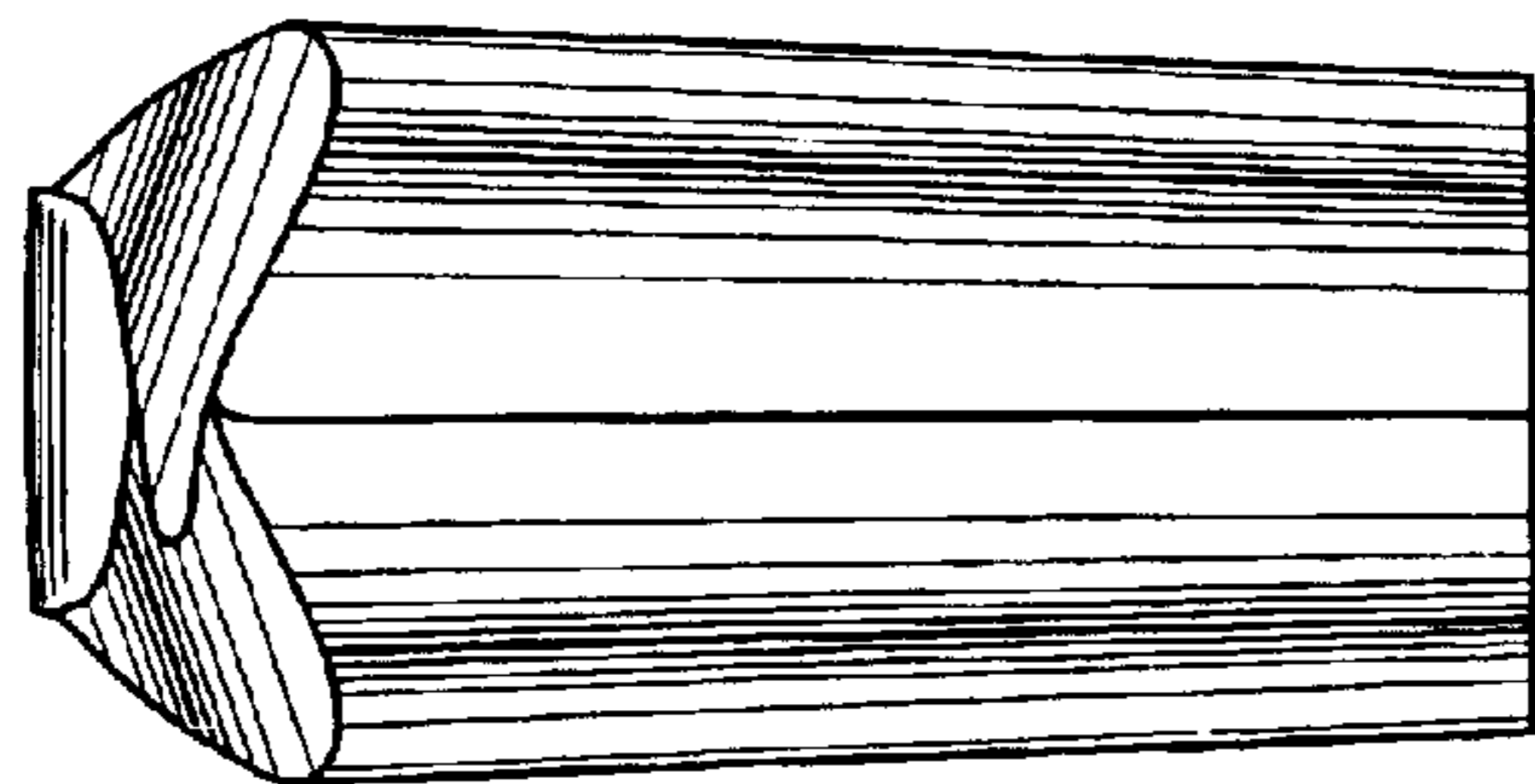


Fig. 12

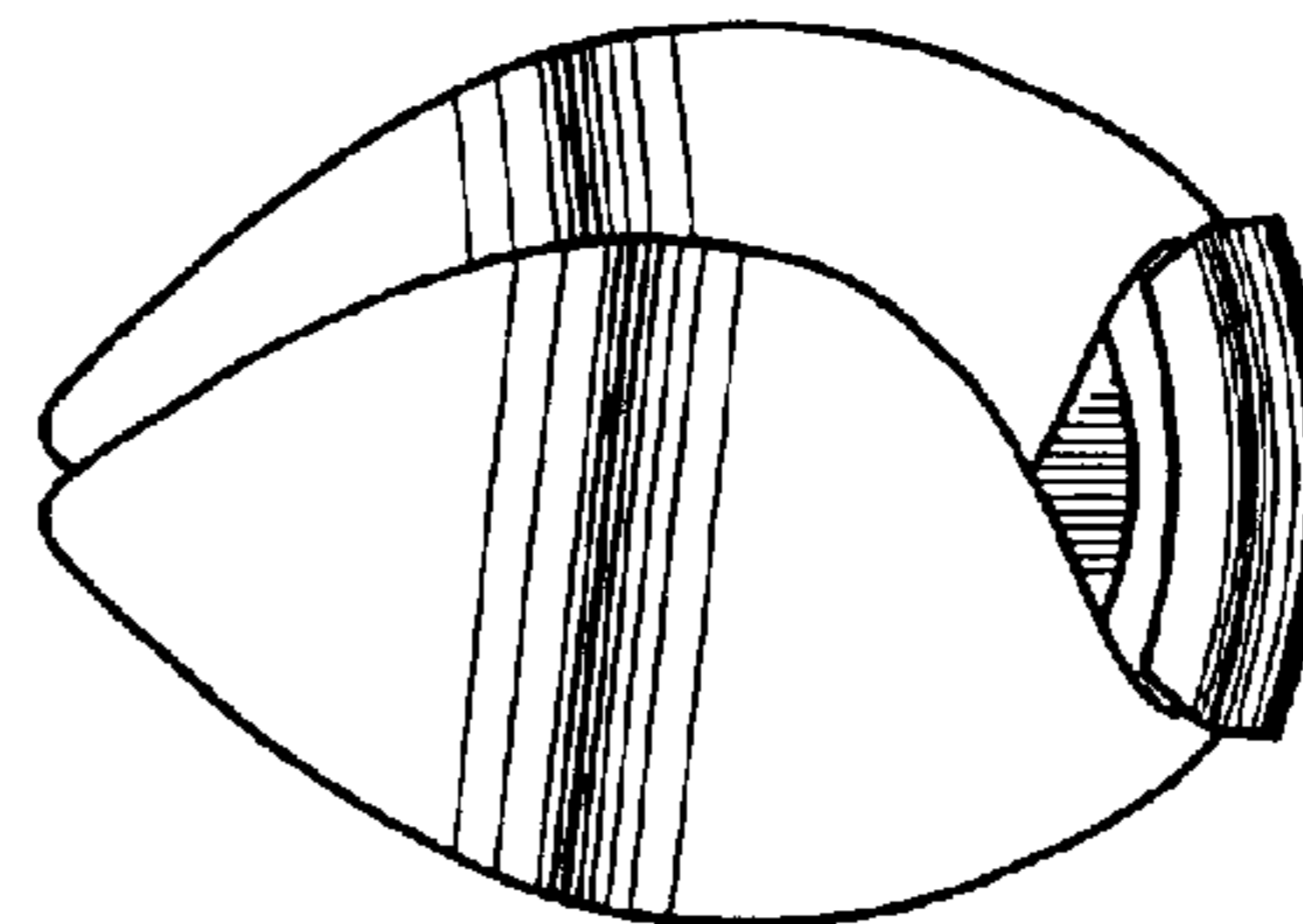


Fig. 13

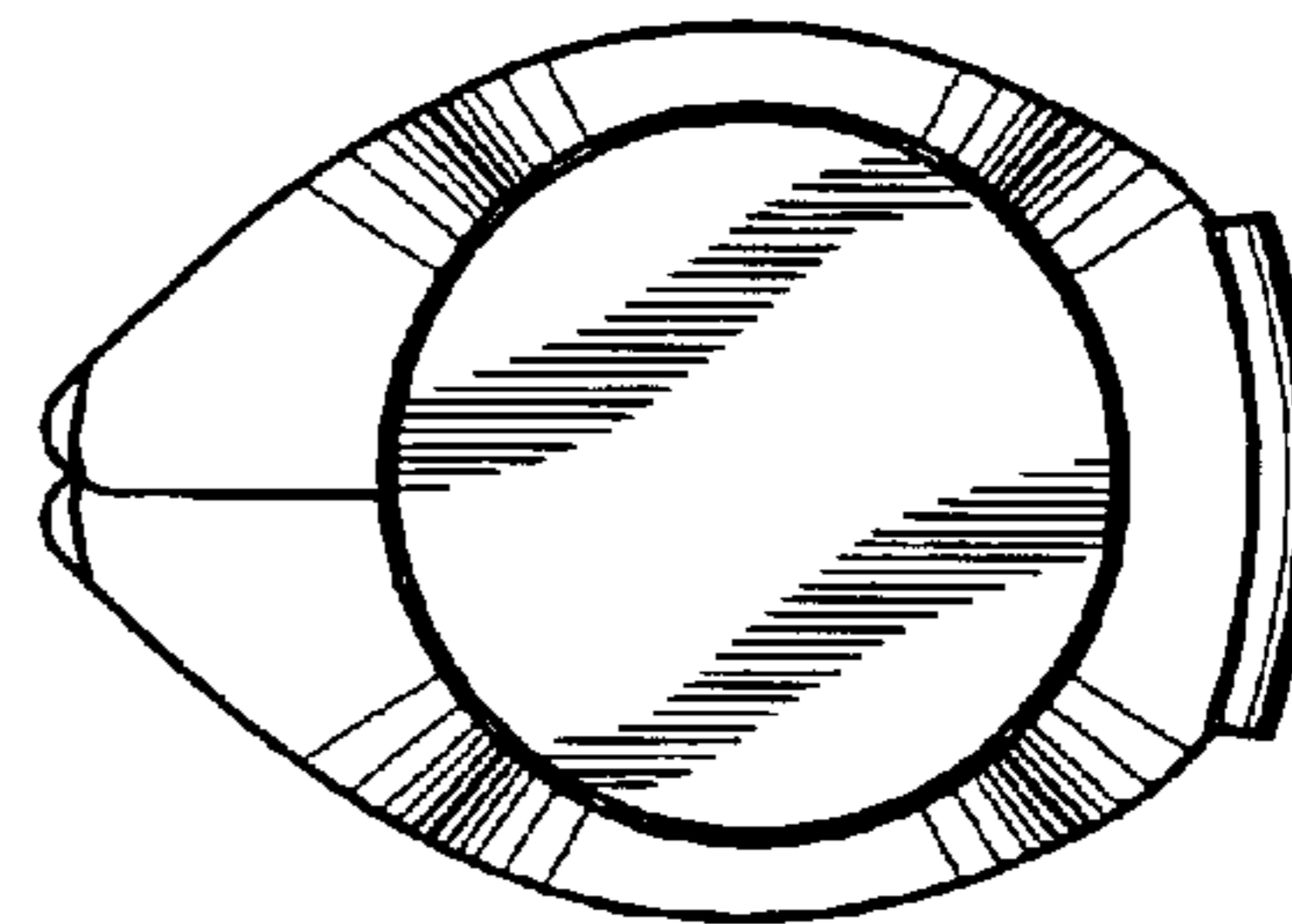


Fig. 14