

US00D495206S1

(12) **United States Design Patent**  
**Boks**

(10) **Patent No.: US D495,206 S**

(45) **Date of Patent: \*\* Aug. 31, 2004**

(54) **LAZY SUSAN TIERED SHELF ACCESSORY**

(75) Inventor: **Michael John Boks**, Kentwood, MI (US)

(73) Assignee: **Knappe & Vogt Manufacturing Company**, Grand Rapids, MI (US)

(\*\*) Term: **14 Years**

(21) Appl. No.: **29/179,140**

(22) Filed: **Apr. 4, 2003**

(51) **LOC (7) Cl. .... 07-01**

(52) **U.S. Cl. .... D7/501; D7/584**

(58) **Field of Search .... D7/501, 584, 610, D7/553.6, 554.1, 590, 600.2, 547, 558, 552.2; 108/94, 25, 20; 211/77, 78, 128.1; 62/457.2; 426/132; 248/349.1, 131; D19/77, 25; D6/455; D3/10**

D279,385 S	*	6/1985	Lieberman	.....	D19/77
D281,049 S	*	10/1985	Rau	.....	D7/558
4,549,714 A	*	10/1985	Busch	.....	248/349.1
D297,897 S	*	10/1988	Stackhouse	.....	D7/501
4,989,419 A	*	2/1991	Brando et al.	.....	62/457.2
D401,810 S	*	12/1998	Swift	.....	D6/455
6,168,813 B1	*	1/2001	Blazevich	.....	426/132
6,263,808 B1	*	7/2001	Robbins et al.	.....	108/94
D453,263 S	*	2/2002	Wogan	.....	D3/10
D464,531 S	*	10/2002	Blazevich	.....	D7/553.6
D473,756 S	*	4/2003	Cautereels	.....	D7/552.2

\* cited by examiner

*Primary Examiner*—M. N. Pandozzi

(74) *Attorney, Agent, or Firm*—Varnum, Riddering, Schmidt & Howlett LLP

(57) **CLAIM**

The ornamental design for lazy Susan tiered shelf accessory, as shown and described.

**DESCRIPTION**

FIG. 1 is a sectional perspective view, a half shown for ease of illustration;

FIG. 2 is an exploded perspective view thereof showing both halves; and,

FIG. 3 is a perspective view thereof.

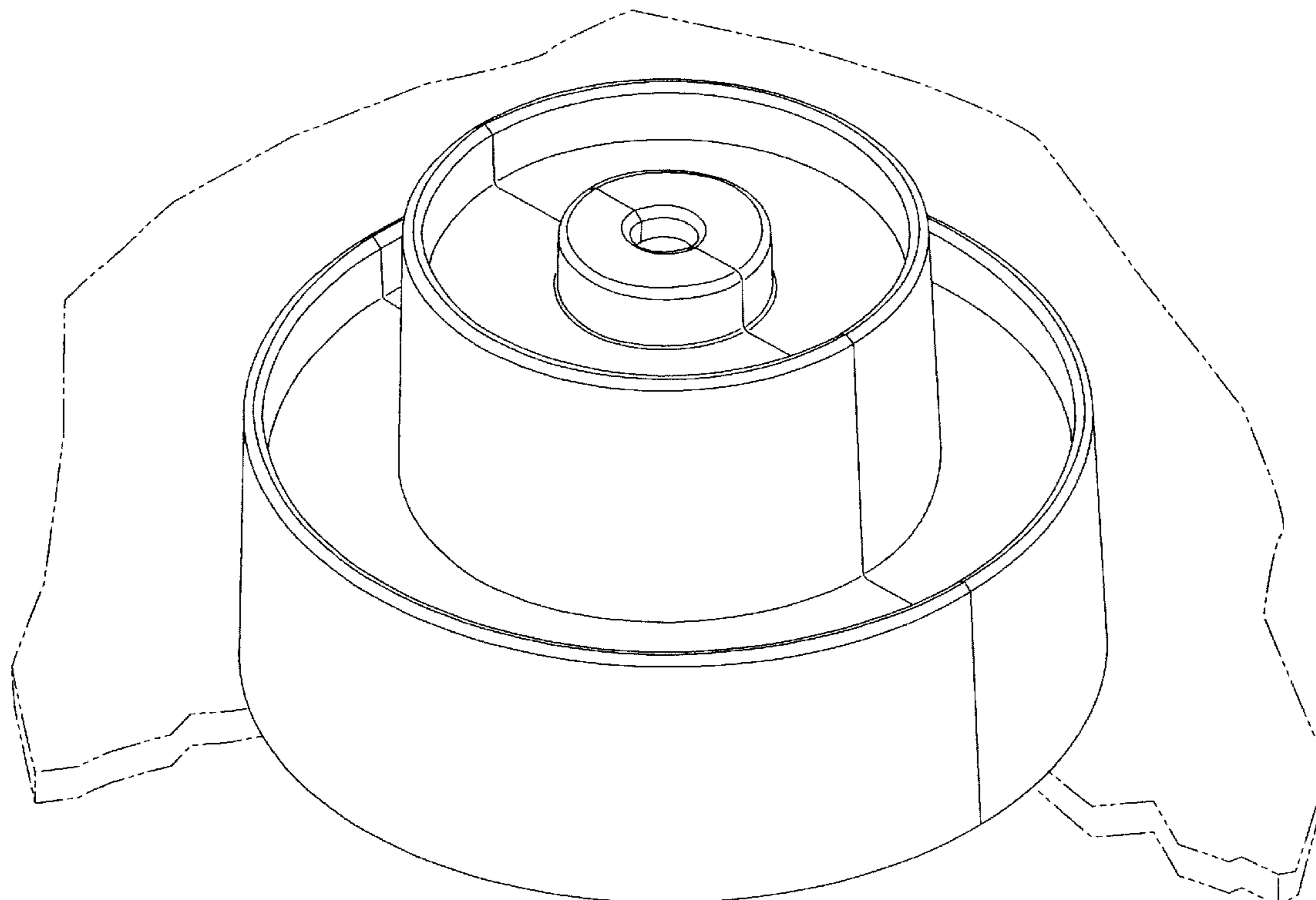
The broken lines in FIG. 3 are for illustrative purposes only and forms no part of the claimed design.

**1 Claim, 3 Drawing Sheets**

(56) **References Cited**

**U.S. PATENT DOCUMENTS**

D89,285 S	*	2/1933	Migney	.....	D19/25
D149,046 S	*	3/1948	Blumenthal et al.	.....	D7/501
D160,688 S	*	10/1950	Brock	.....	D7/501
2,759,611 A	*	8/1956	Davis	.....	108/20
3,139,189 A	*	6/1964	Kolarik	.....	108/25
D200,117 S	*	1/1965	Kolazik	.....	D7/590
3,951,079 A	*	4/1976	Tolleson	.....	108/94



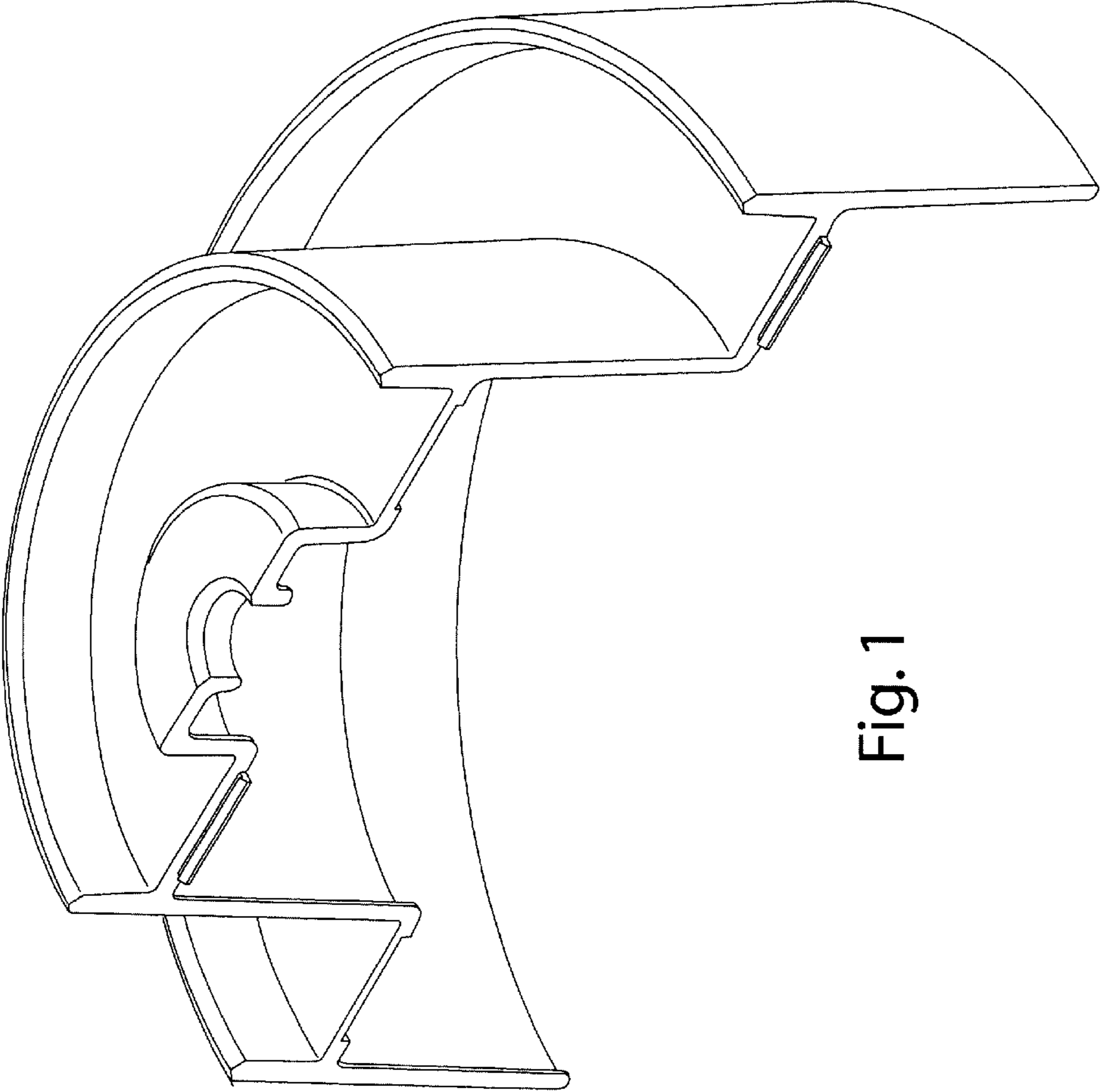


Fig. 1

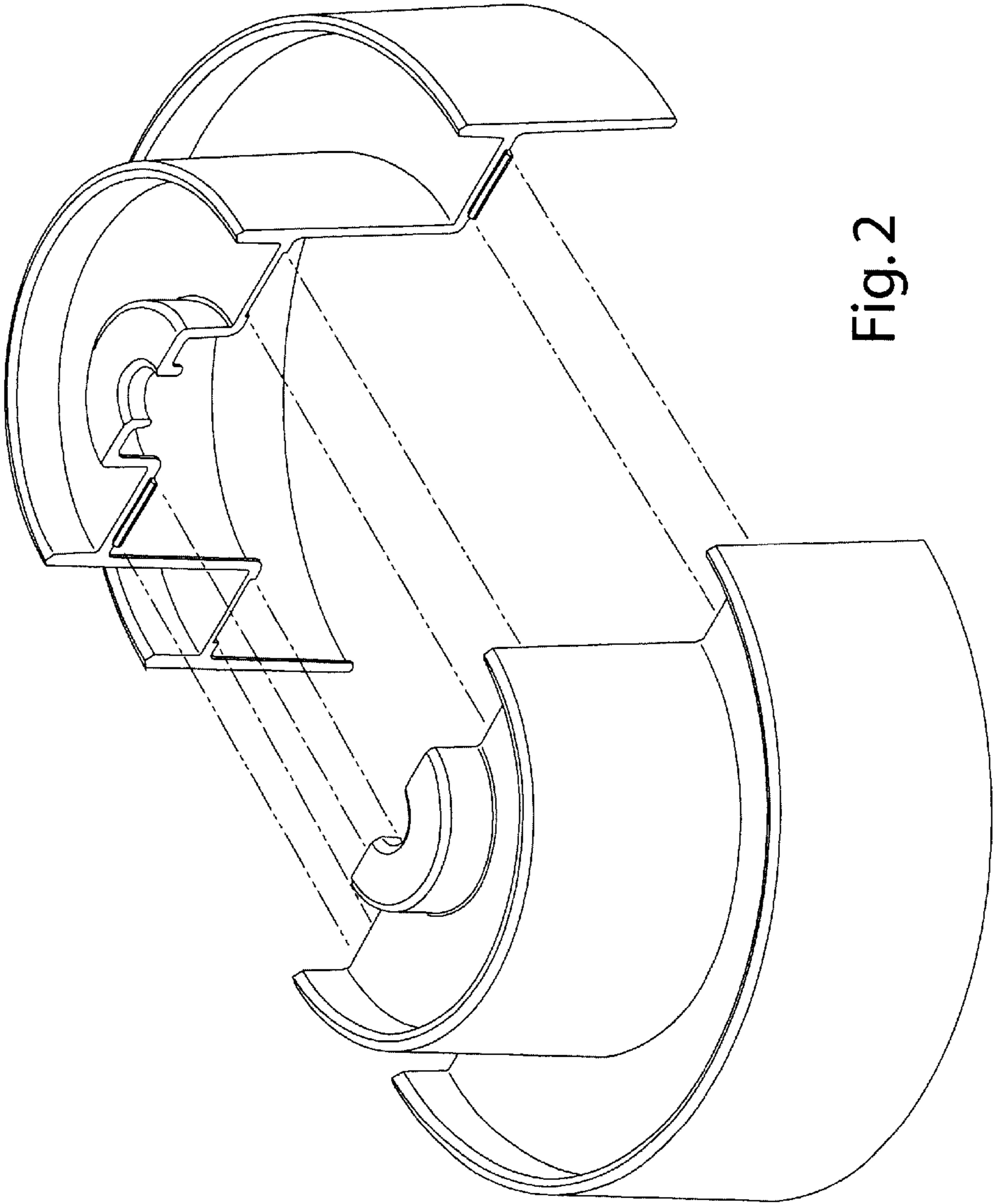


Fig. 2

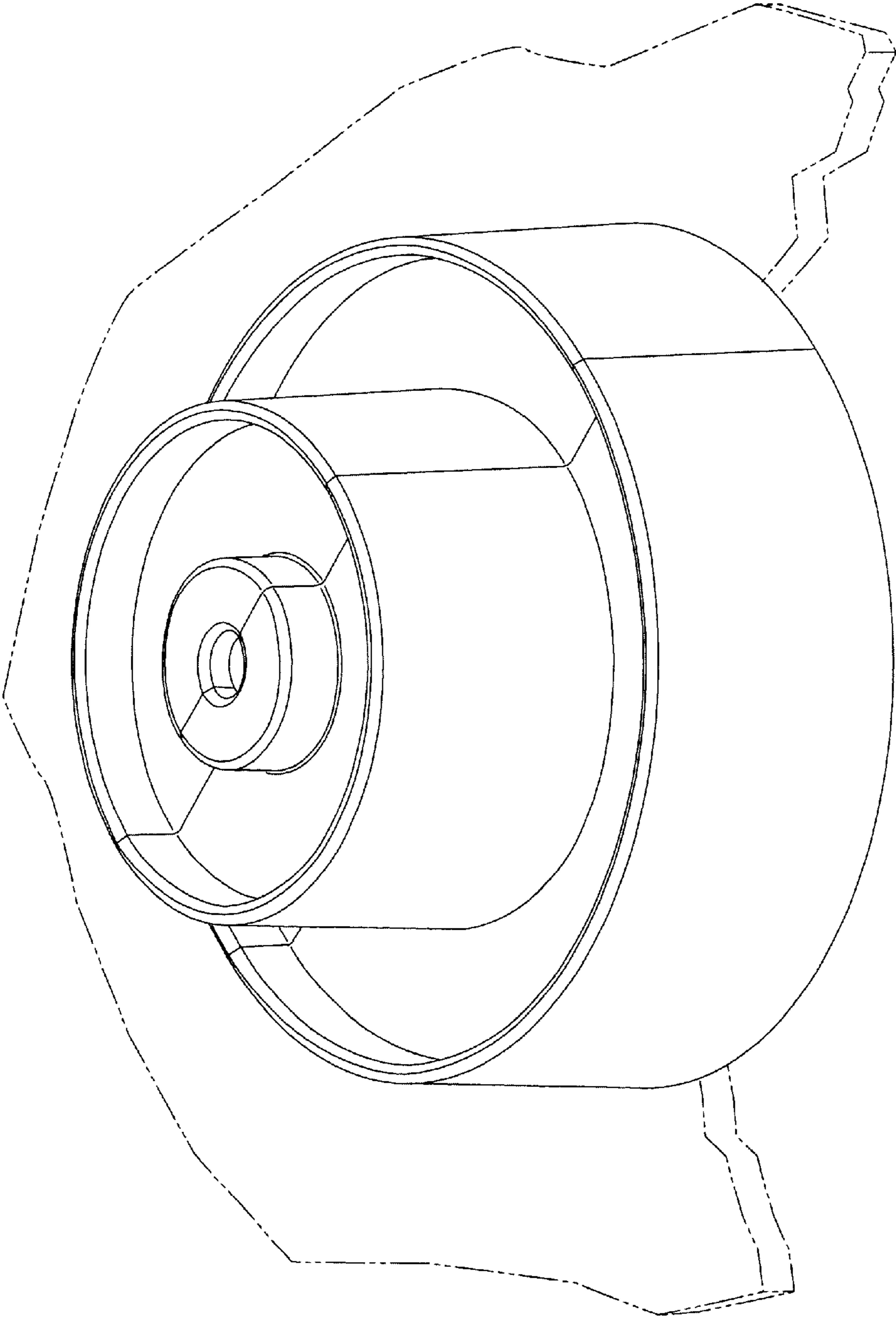


Fig. 3