



US00D495201S1

(12) **United States Design Patent**
Caswell et al.

(10) **Patent No.:** **US D495,201 S**

(45) **Date of Patent:** **** Aug. 31, 2004**

(54) **WIRE GRATE FOR A COOKING APPLIANCE**

(75) Inventors: **Russell E. Caswell**, Newton, IA (US);
Gary T. Davis, Cleveland, TN (US);
Thu-Ha Duncan, Cleveland, TN (US)

(73) Assignee: **Maytag Corporation**, Newton, IA (US)

(**) Term: **14 Years**

(21) Appl. No.: **29/169,701**

(22) Filed: **Oct. 25, 2002**

(51) **LOC (7) Cl.** **07-02**

(52) **U.S. Cl.** **D7/408**

(58) **Field of Search** D7/323, 337, 340,
D7/346, 408, 409; 219/450.1; D23/397,
402; 126/540, 505, 152 R, 152 B, 1 R,
214 C; D25/53, 152, 153, 156, 142; 52/180

(56) **References Cited**

U.S. PATENT DOCUMENTS

D30,857 S * 5/1899 Babinski D23/402
2,828,843 A * 4/1958 Hill 52/180
D239,827 S * 5/1976 Howells D25/142

* cited by examiner

Primary Examiner—Louis S. Zarfes

Assistant Examiner—Robert A Delehanty

(74) *Attorney, Agent, or Firm*—Diederiks & Whitelaw,
PLC

(57) **CLAIM**

The ornamental design for a wire grate for a cooking appliance, as shown and described.

DESCRIPTION

FIG. 1 is a top right perspective view of a pair of wire grates for a cooking appliance, showing our new design;

FIG. 2 is a upper right perspective view of the wire grate of FIG. 1;

FIG. 3 is a front elevational view of the wire grate of FIG. 1, with the rear elevational view being a mirror image thereof;

FIG. 4 is a top plan view of the wire grate of the invention; FIG. 5 is a right elevational view of the wire grate of FIG. 1, with the left elevational view being a mirror image thereof; and,

FIG. 6 is a bottom plan view of the wire grate of FIG. 1. The broken lines in FIG. 1 showing a portion of a cooking appliance is for illustrative purposes only and forms no part of the claimed invention.

1 Claim, 4 Drawing Sheets

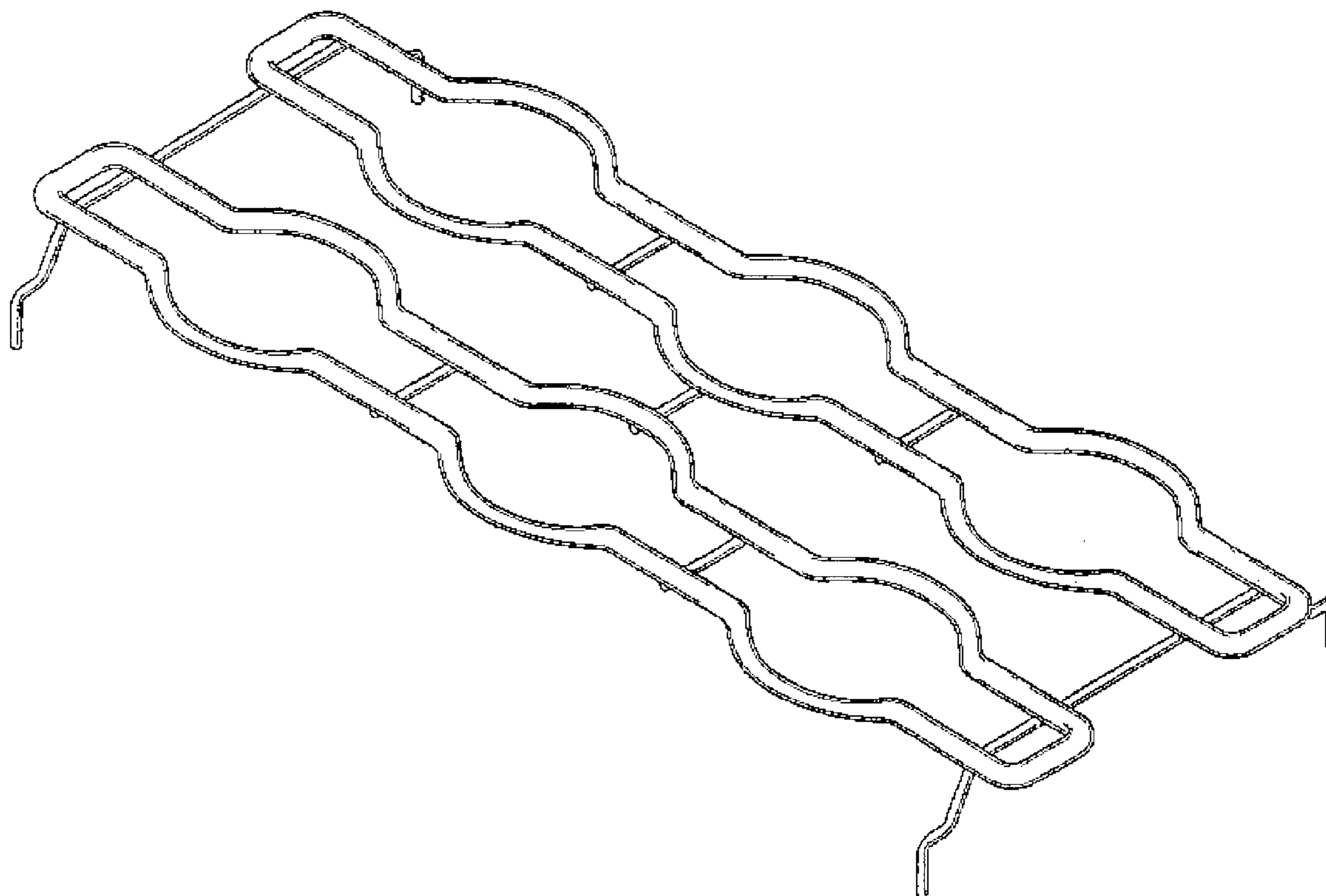


FIG. 1

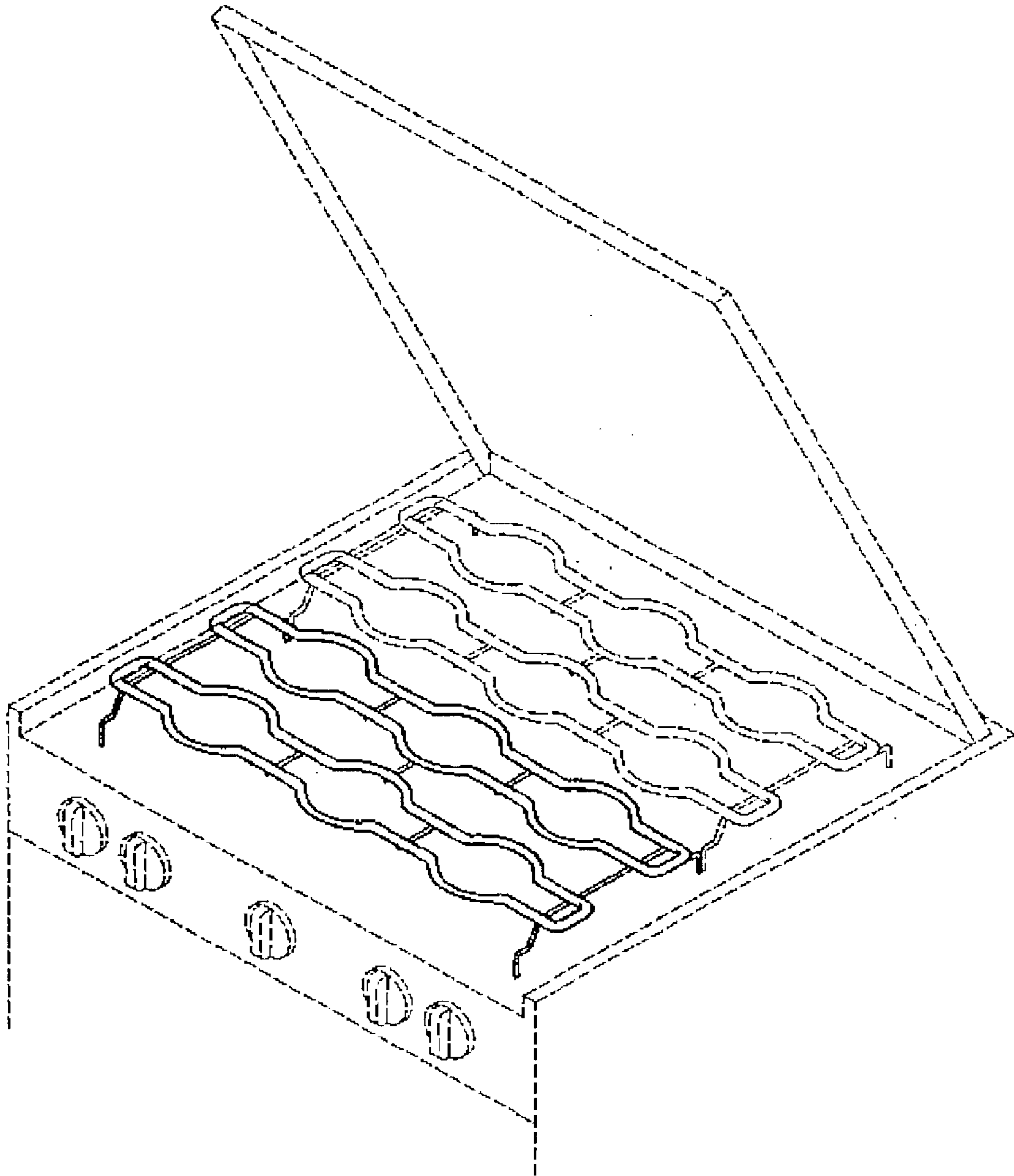


FIG. 2

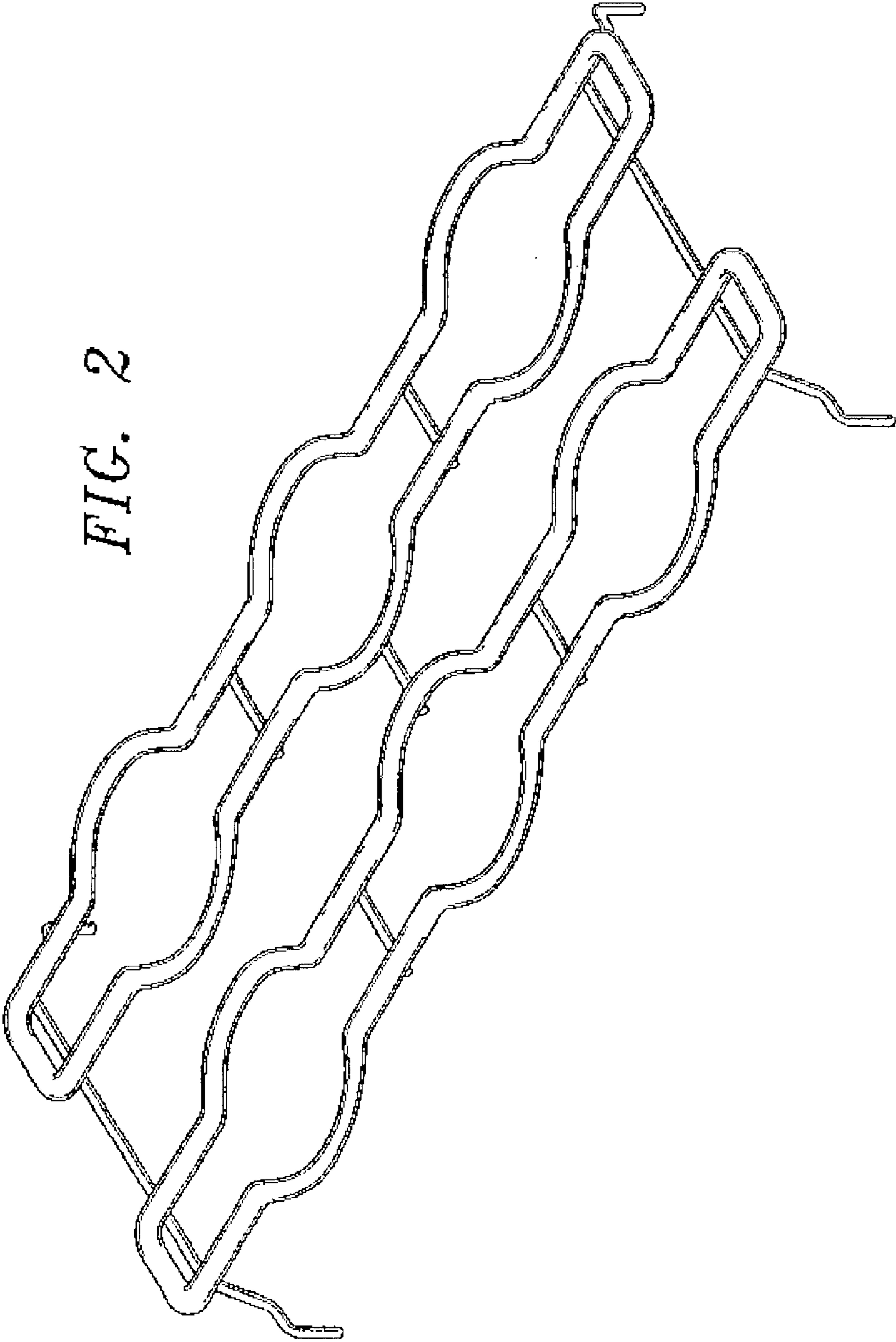


FIG. 3

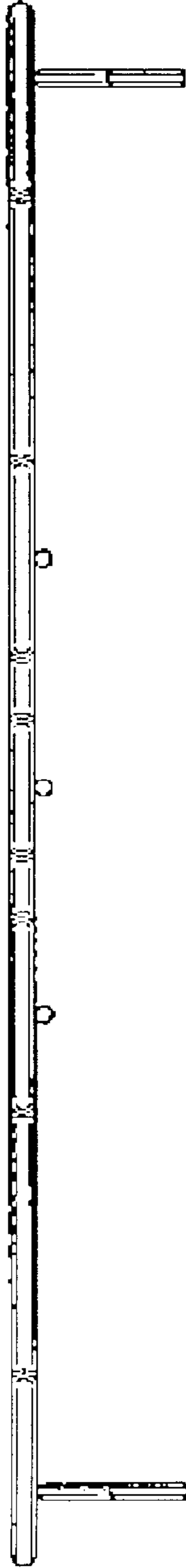


FIG. 4

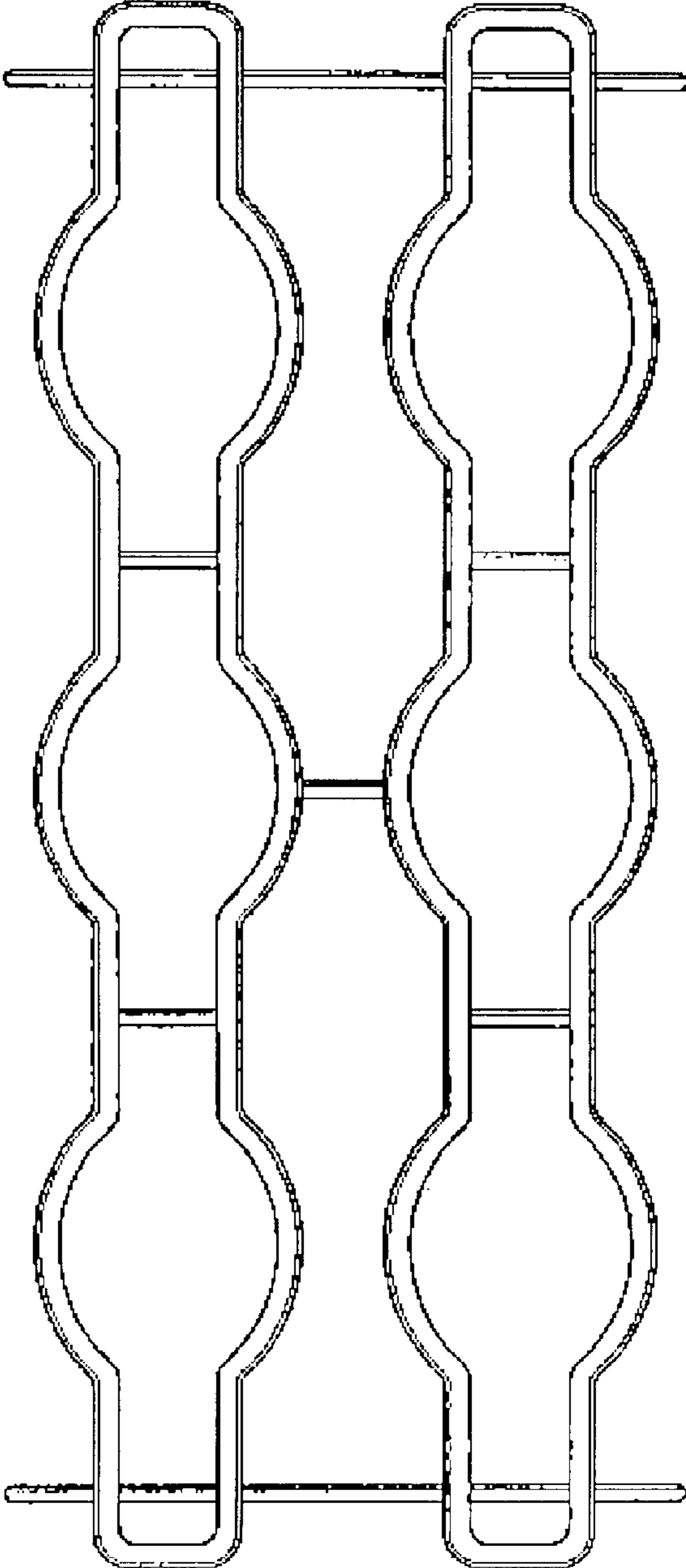


FIG. 5

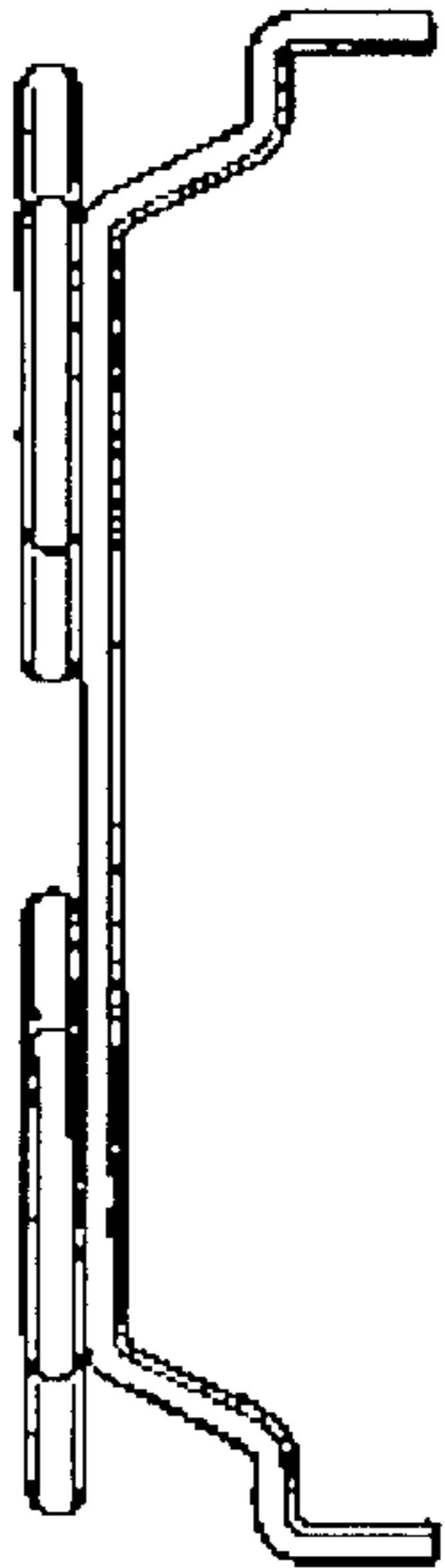


FIG. 6

