

US00D495193S1

(12) **United States Design Patent**
Moore et al.

(10) **Patent No.: US D495,193 S**

(45) **Date of Patent: ** Aug. 31, 2004**

(54) **BEVERAGE DISPENSING POT**

(76) Inventors: **Gaynor Moore**, 200 Cresthaven Road
#42, Brampton, Ontario (CA), L7A 1J5;
Stephen J. Morris, 200 Cresthaven
#42, Brampton, Ontario (CA), L6T
1W7

(**) **Term: 14 Years**

(21) **Appl. No.: 29/195,044**

(22) **Filed: Dec. 8, 2003**

(51) **LOC (7) Cl. 07-01**

(52) **U.S. Cl. D7/321; D7/312**

(58) **Field of Search D7/300, 321, 312,**
D7/322; 222/108, 109, 465.1, 209; 220/212.5;
215/10.398

(56) **References Cited**

U.S. PATENT DOCUMENTS

D1,419 S	*	5/1861	Young	D7/321
283,287 A		8/1883	Schoening		
D19,256 S	*	8/1889	Jeffords	D7/322
D30,935 S		6/1899	Ryan		
D36,306 S	*	5/1903	Ahrenfeldt	D7/321
D68,560 S	*	10/1925	Anduze	D7/321

1,571,116 A	*	1/1926	Gretw et al.	222/108
2,105,201 A	*	1/1938	Richheimer	220/298
2,241,840 A		5/1941	Achtziger		
D172,077 S	*	5/1954	Barnhart	D7/321
D185,054 S	*	4/1959	Winans	D7/321
D272,884 S	*	3/1984	Seibel	D7/321
D288,889 S		3/1987	Mantani		
D334,686 S		4/1993	Wiley		
D380,336 S	*	7/1997	Zive	D7/321
D427,005 S		6/2000	Yee et al.		
D486,989 S	*	2/2004	Bodum	D7/321

* cited by examiner

Primary Examiner—M. N. Pandozzi

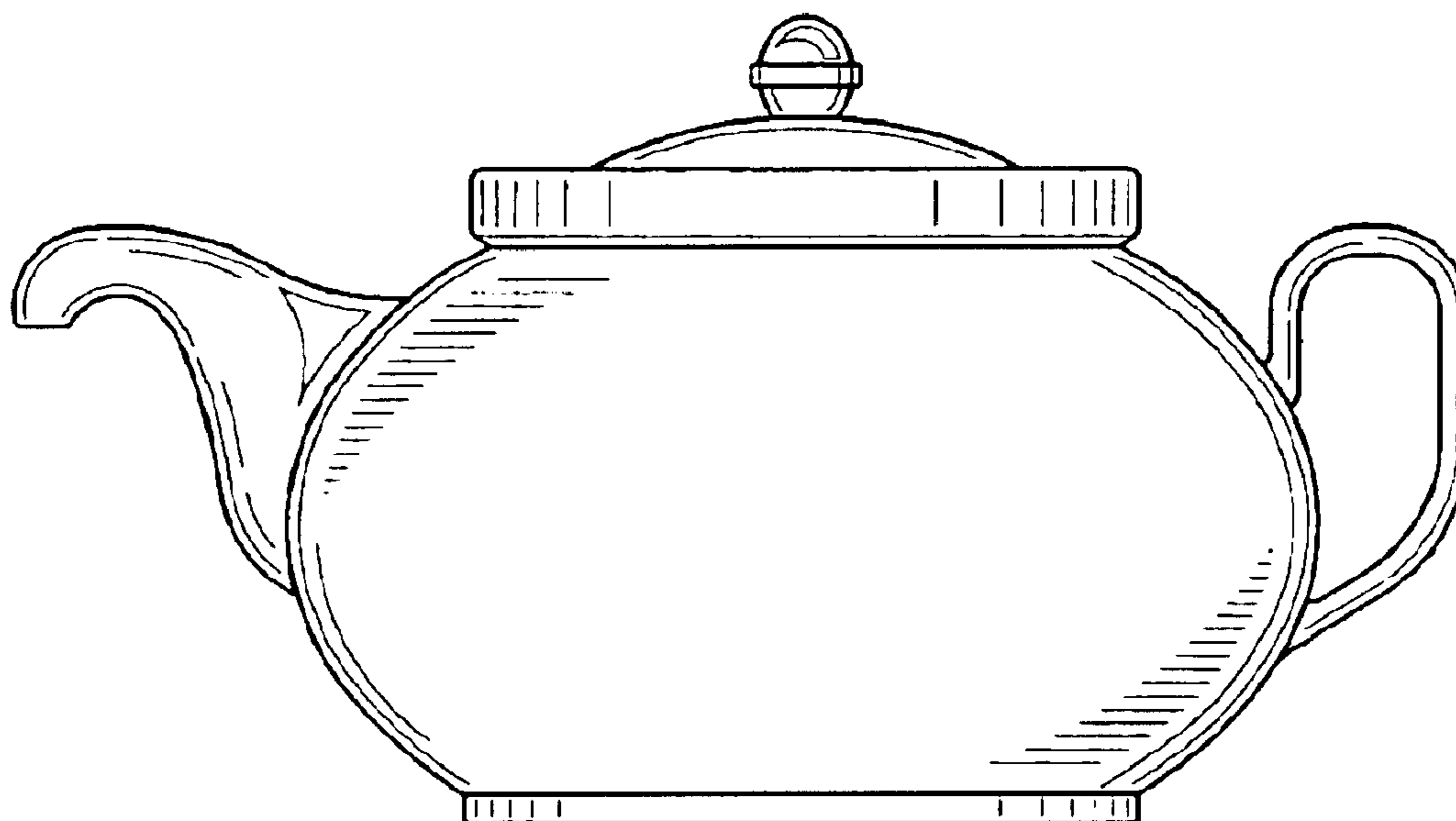
(57) **CLAIM**

The ornamental design for a beverage dispensing pot, as shown and described.

DESCRIPTION

FIG. 1 is a side elevational view of a beverage dispensing pot showing my new design;
FIG. 2 is a front elevational view thereof;
FIG. 3 is a rear elevational view thereof;
FIG. 4 is a top plan view thereof; and,
FIG. 5 is a bottom plan view thereof.

1 Claim, 3 Drawing Sheets



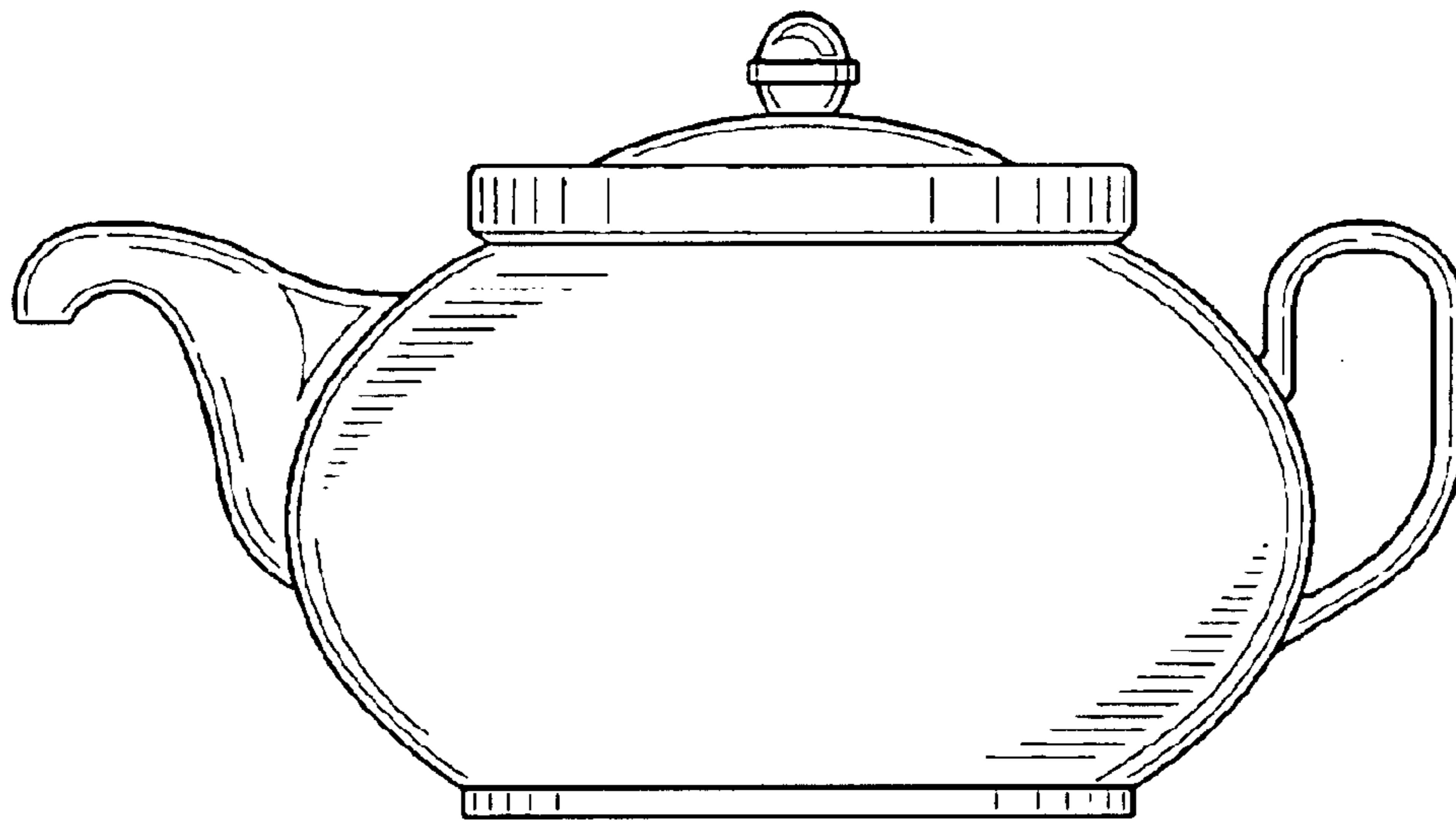


FIG. 1

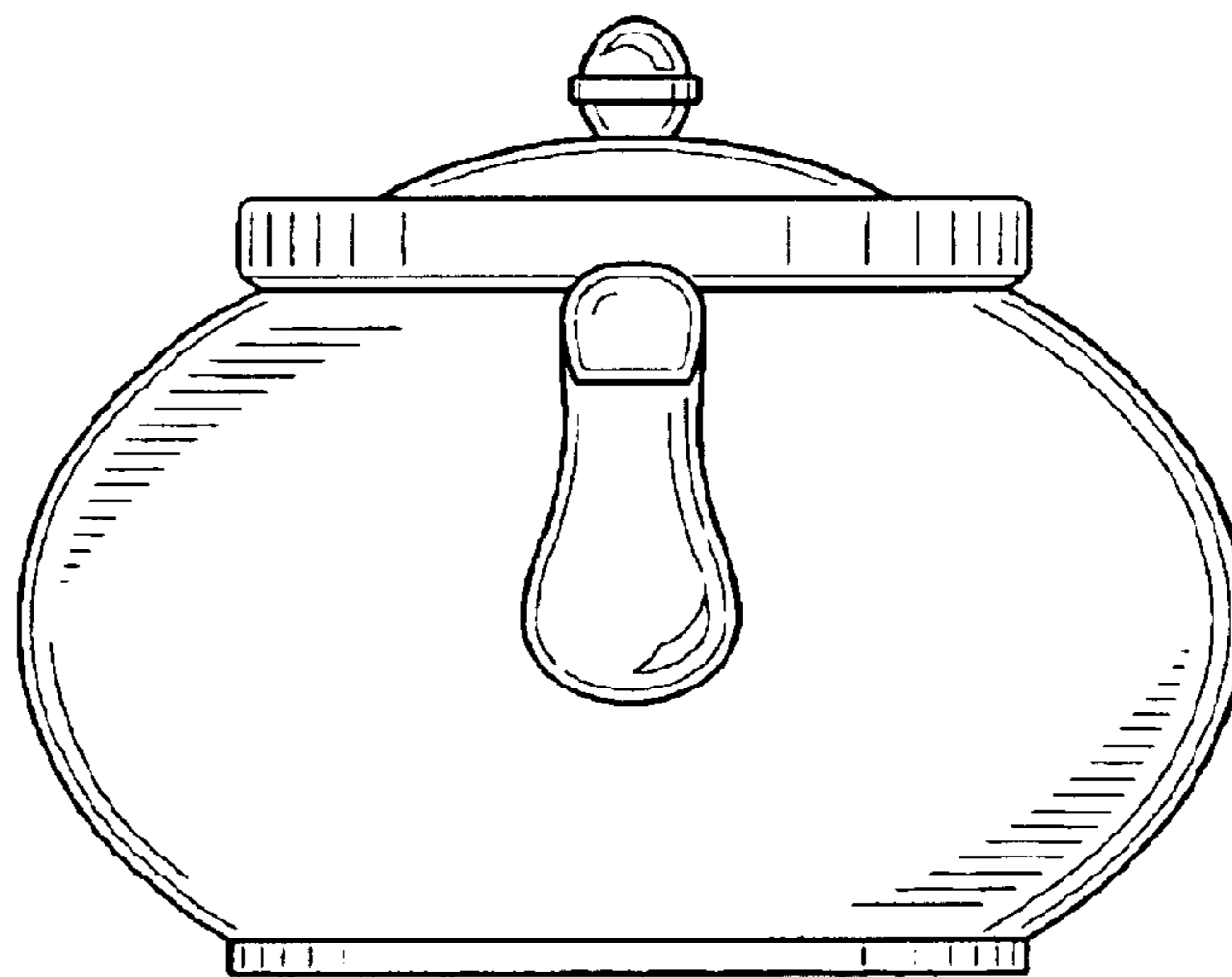


FIG. 2

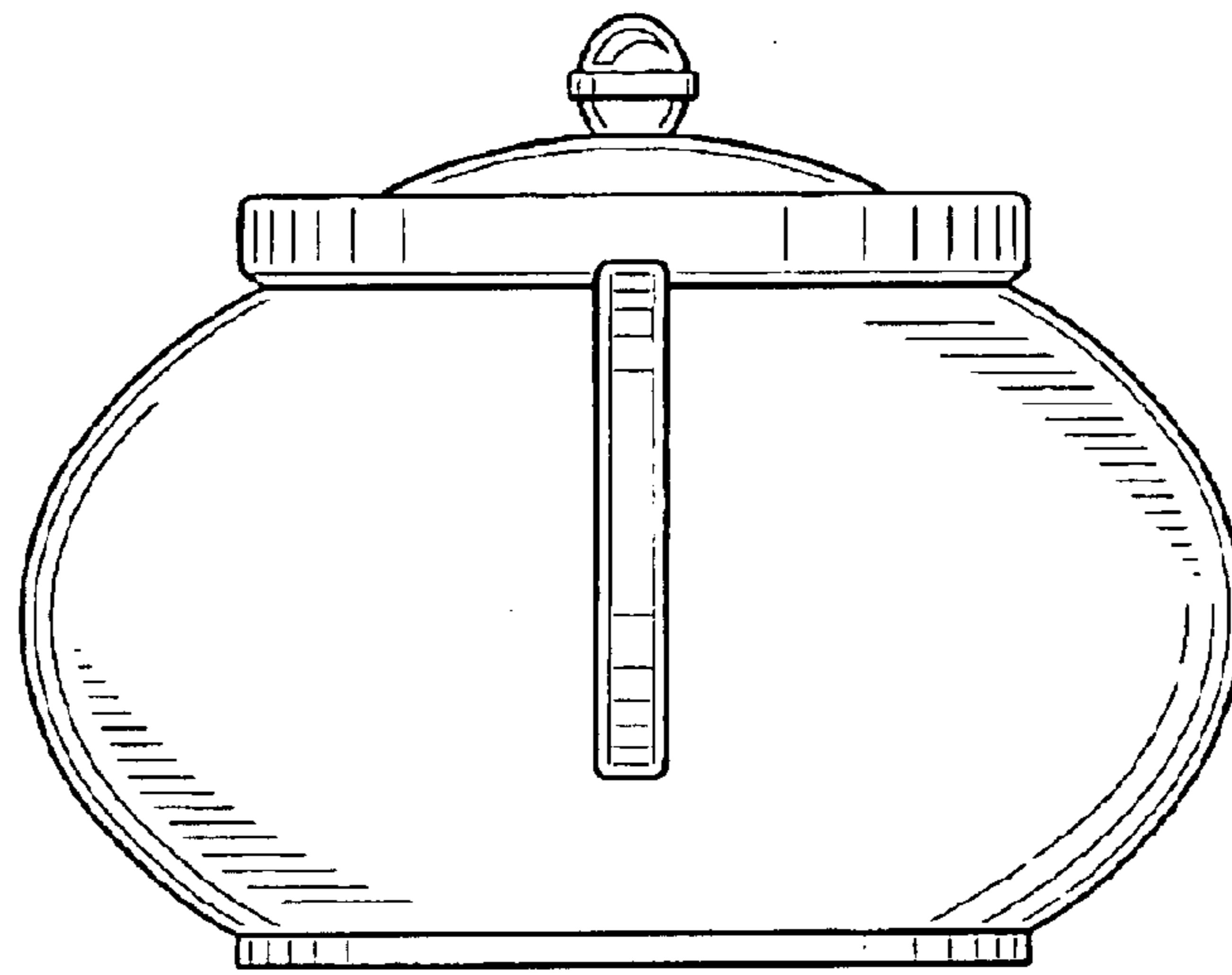


FIG. 3

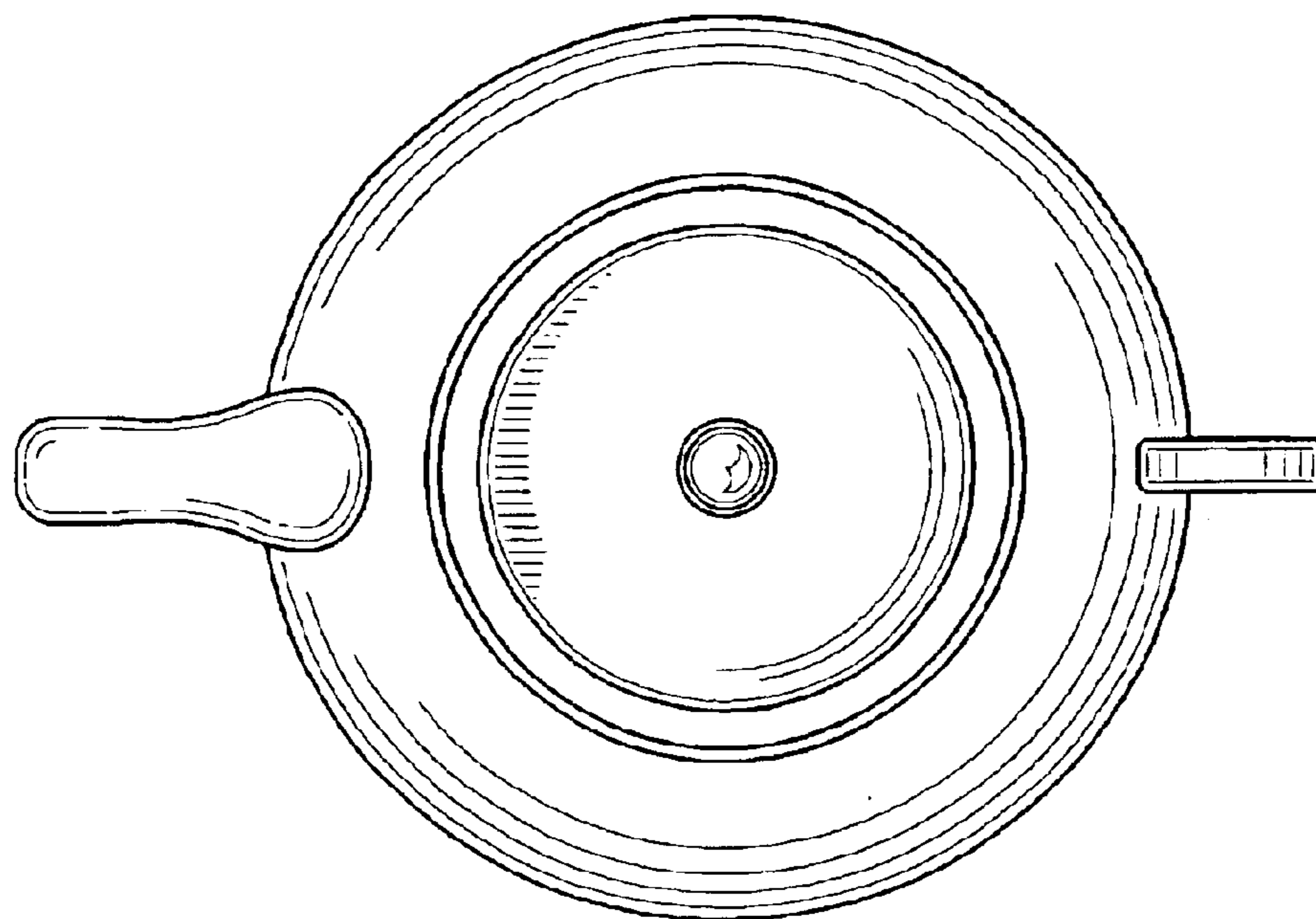


FIG. 4

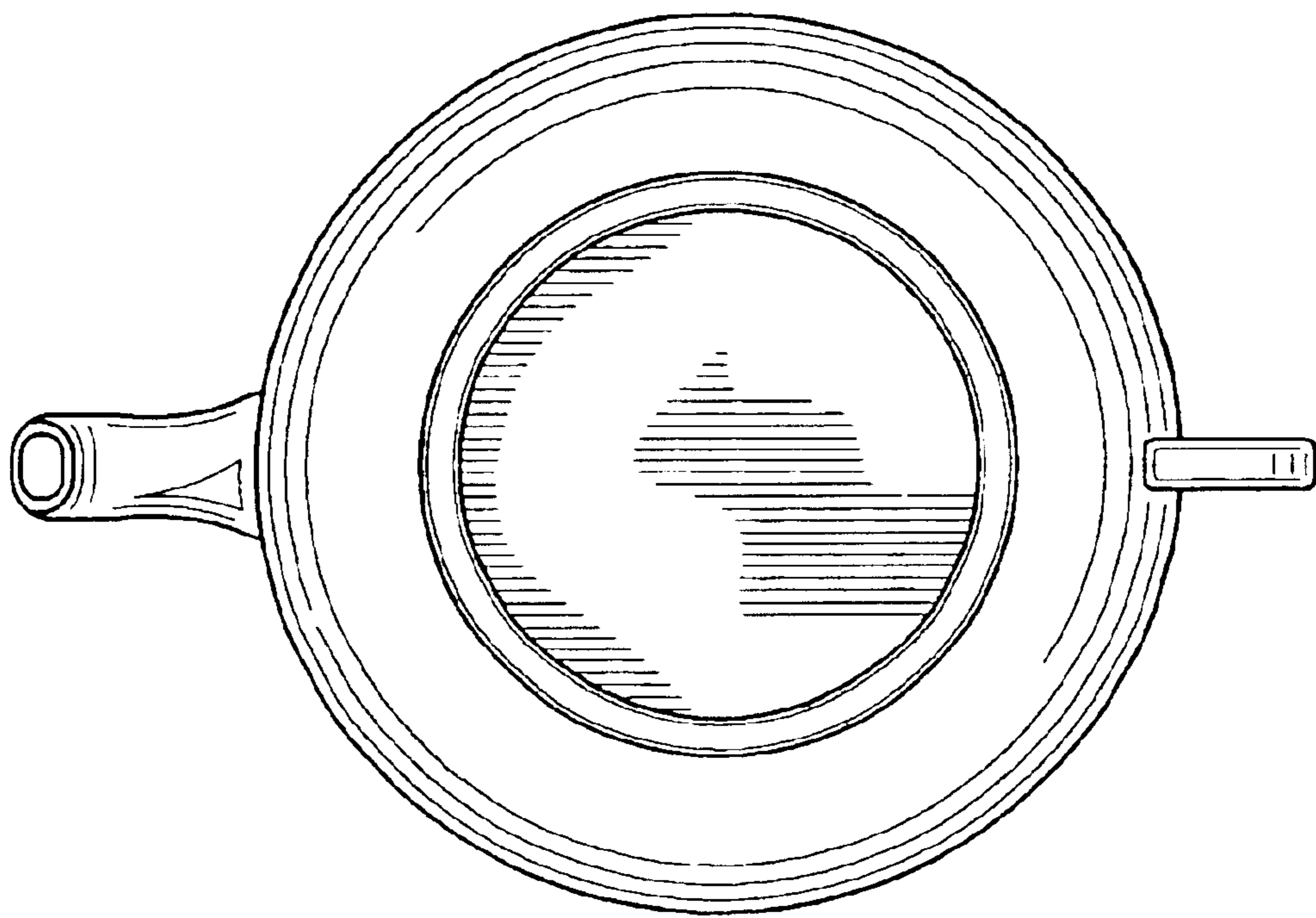


FIG.5