

US00D495189S1

(12) **United States Design Patent**
Cahen

(10) **Patent No.:** **US D495,189 S**

(45) **Date of Patent:** **** Aug. 31, 2004**

(54) **COFFEE MACHINE**

(75) **Inventor:** **Antoine Cahen**, Lausanne (CH)

(73) **Assignee:** **Societe Des Produits Nestle S.A.**,
Vevey (CH)

(**) **Term:** **14 Years**

(21) **Appl. No.:** **29/182,246**

(22) **Filed:** **May 21, 2003**

(51) **LOC (7) Cl.** **07-01**

(52) **U.S. Cl.** **D7/309; D7/310; D7/311**

(58) **Field of Search** **D7/300, 309, 310,**
D7/311, 306, 307, 308, 312; 99/323, 295,
285, 289 R, 282

(56) **References Cited**

U.S. PATENT DOCUMENTS

D182,853 S	5/1958	Salati	D7/309
D281,943 S	12/1985	Rosalgino	D7/309
D292,258 S	* 10/1987	Diefenbach	D7/309
D318,973 S	* 8/1991	Hasslacher	D7/308
D326,385 S	* 5/1992	Miller et al.	D7/308
D340,162 S	10/1993	Storsberg	D7/309
D360,555 S	* 7/1995	Miguel	D7/309
D389,694 S	1/1998	Vinson	D7/308
D396,987 S	* 8/1998	Seiffert	D7/309
D399,089 S	* 10/1998	Cortese	D7/309
D400,046 S	* 10/1998	Seiffert	D7/309
D409,875 S	* 5/1999	Alonge et al.	D7/309
D419,362 S	1/2000	Bouhuys	D7/306
D424,361 S	5/2000	Kuboyama	D7/309

D443,792 S	6/2001	Peters et al.	D7/306
D444,986 S	* 7/2001	Smith et al.	D7/311
D459,628 S	* 7/2002	Cahen	D7/309
D479,086 S	* 9/2003	Rivard et al.	D7/306
D481,580 S	* 11/2003	Daniels et al.	D7/309
D481,901 S	* 11/2003	Daniels et al.	D7/309
D486,345 S	* 2/2004	Schwamkrug	D7/309

* cited by examiner

Primary Examiner—M. N. Pandozzi

(74) *Attorney, Agent, or Firm*—Sheldon & Mak; Denton L. Anderson

(57) **CLAIM**

The ornamental design for a coffee machine, as shown and described.

DESCRIPTION

FIG. 1 is a perspective view of the coffee machine of the invention;

FIG. 2 is a front view of the coffee machine illustrated in FIG. 1;

FIG. 3 is a rear view of the coffee machine illustrated in FIG. 1;

FIG. 4 is a first side view of the coffee machine illustrated in FIG. 1;

FIG. 5 is a second side view of the coffee machine illustrated in FIG. 1;

FIG. 6 is a top view of the coffee machine illustrated in FIG. 1; and,

FIG. 7 is a bottom view of the coffee machine illustrated in FIG. 1.

1 Claim, 3 Drawing Sheets

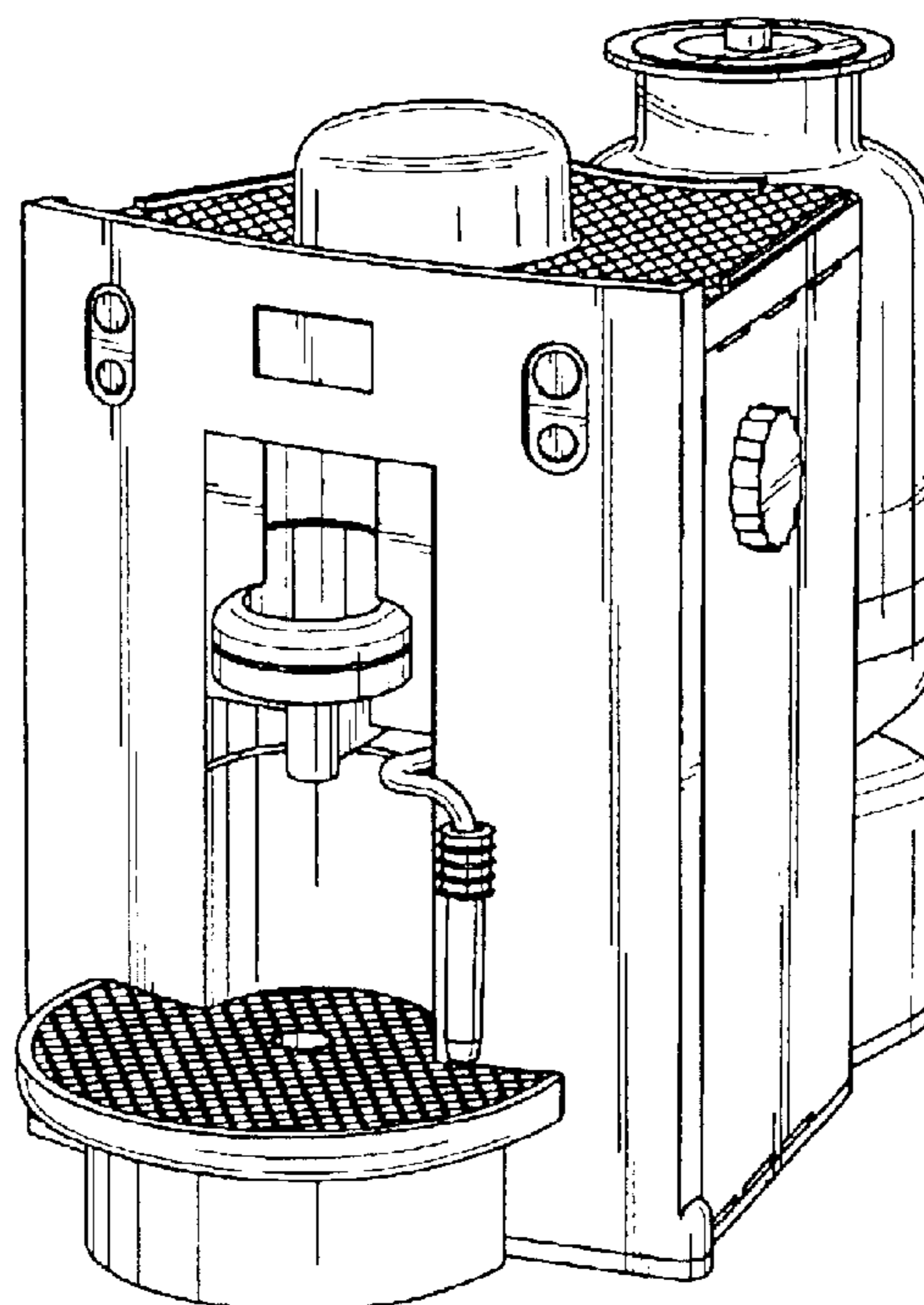


FIG. 1

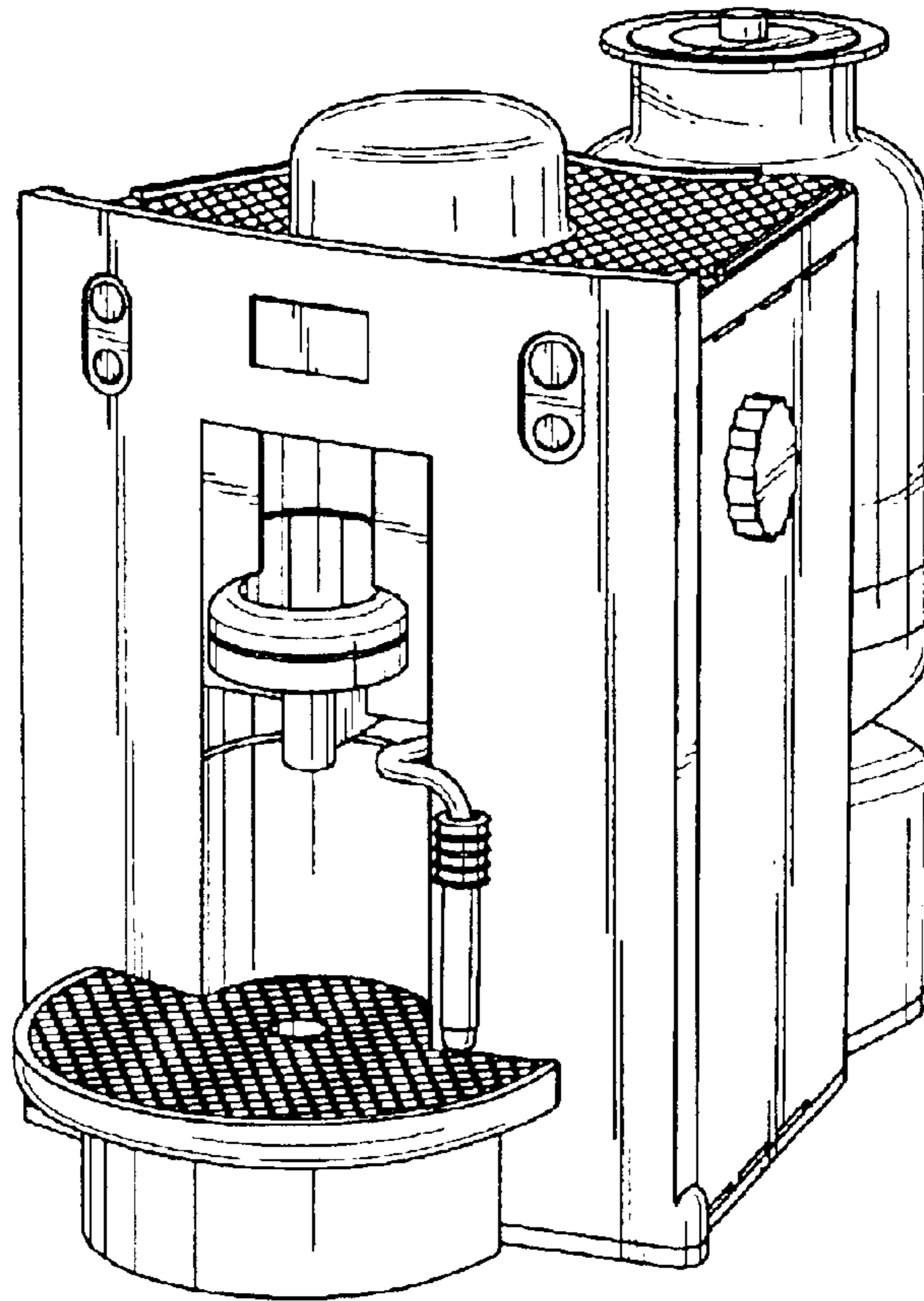


FIG. 2

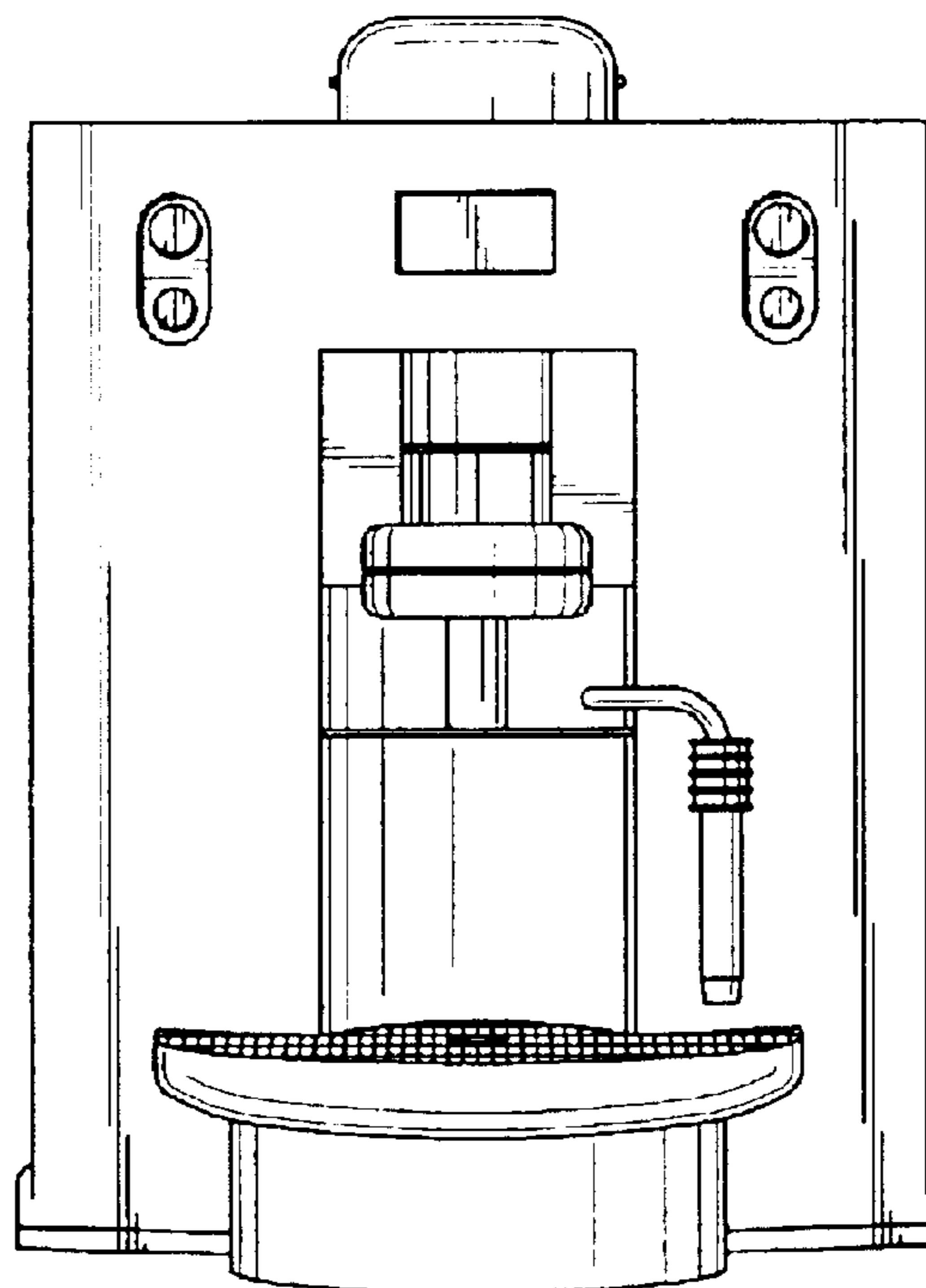


FIG. 3

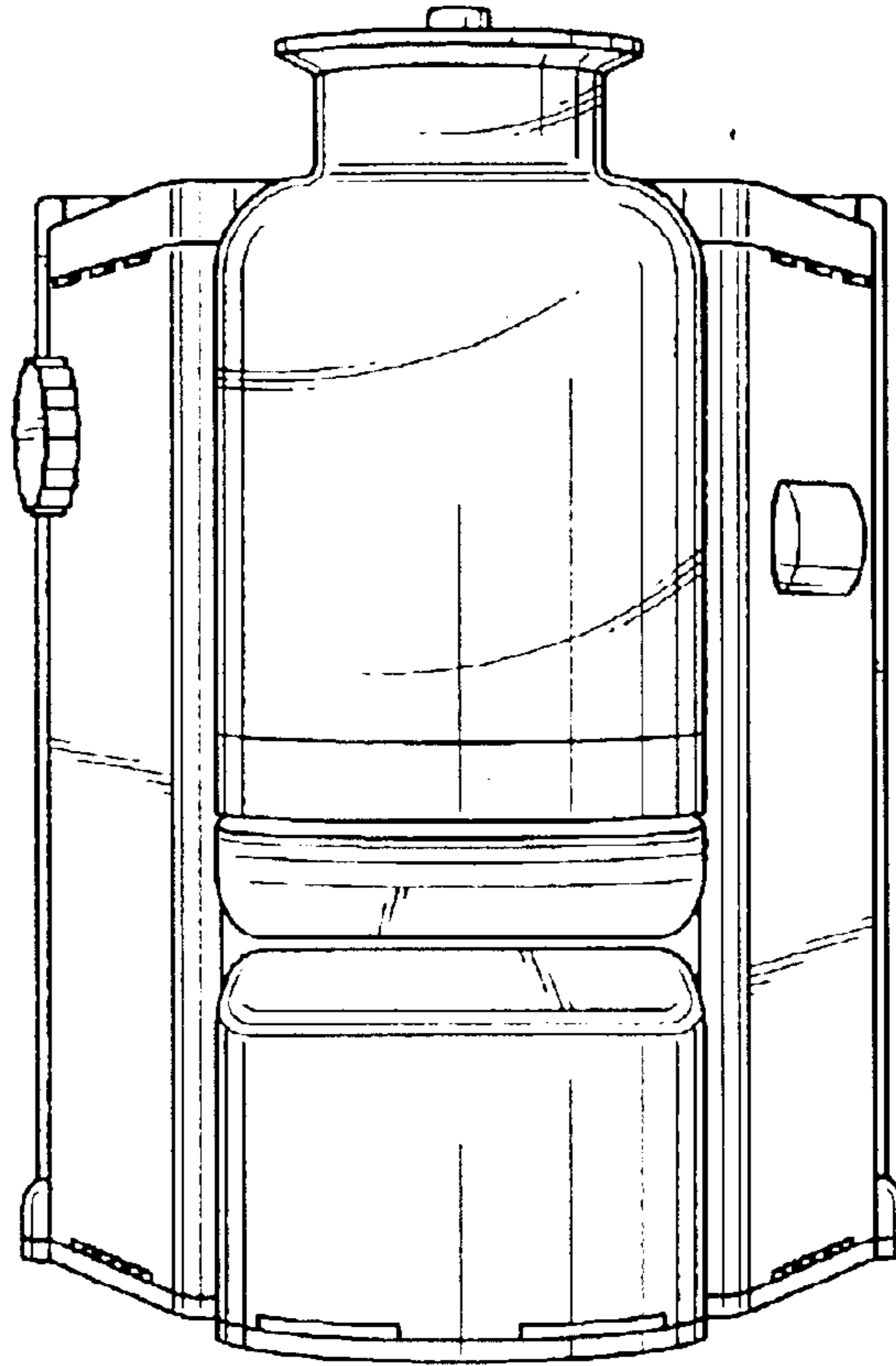
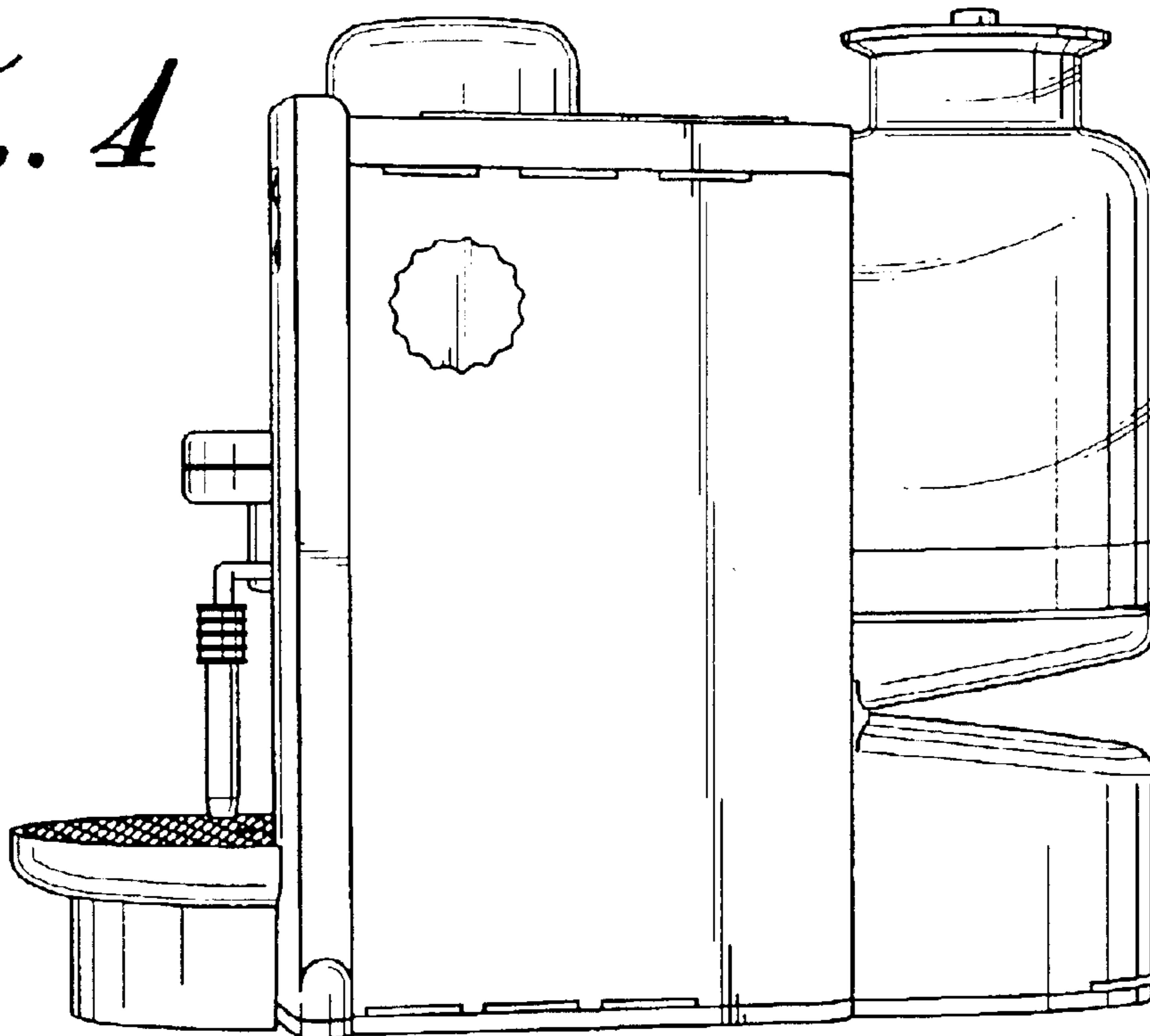


FIG. 4



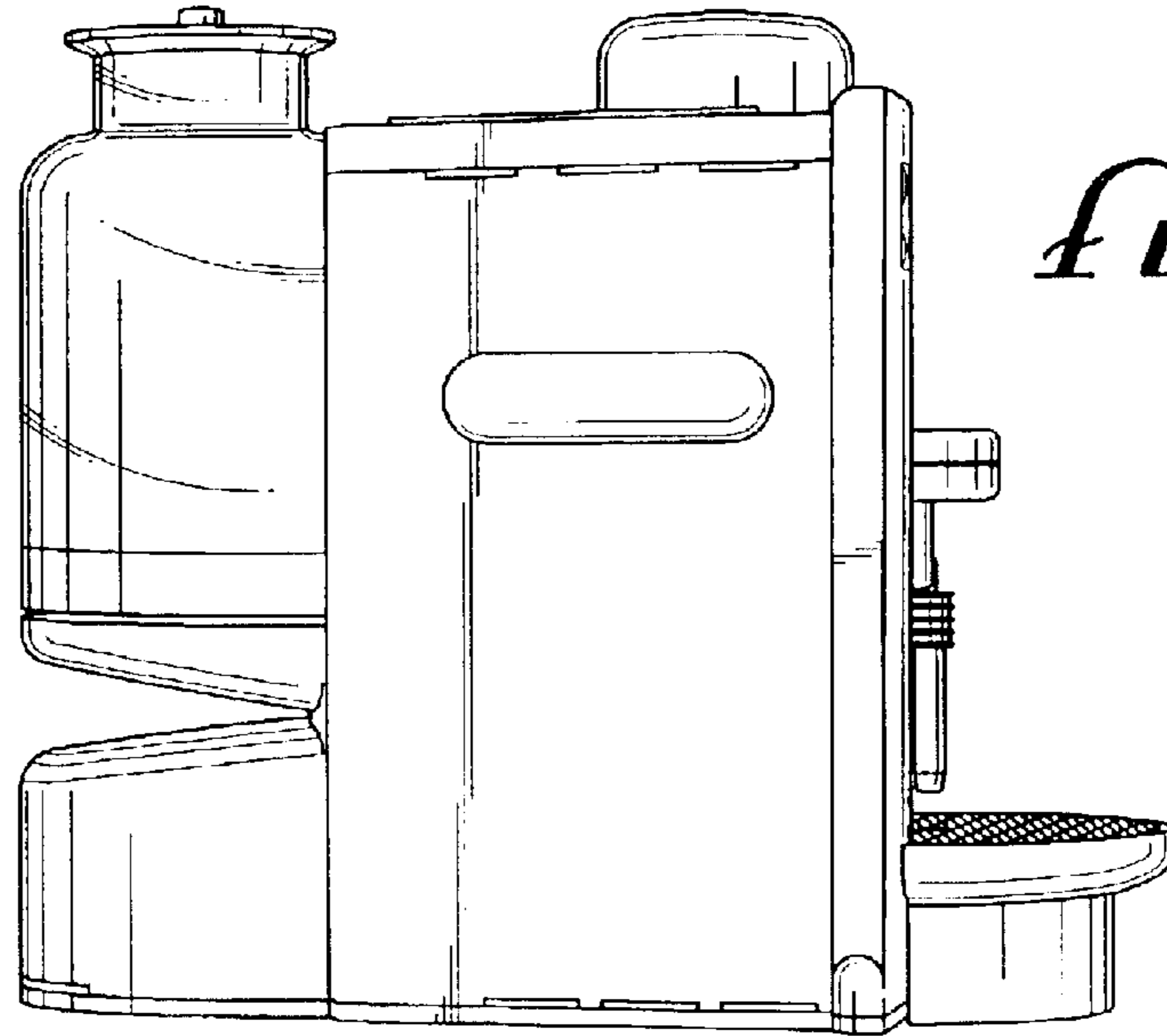


FIG. 5

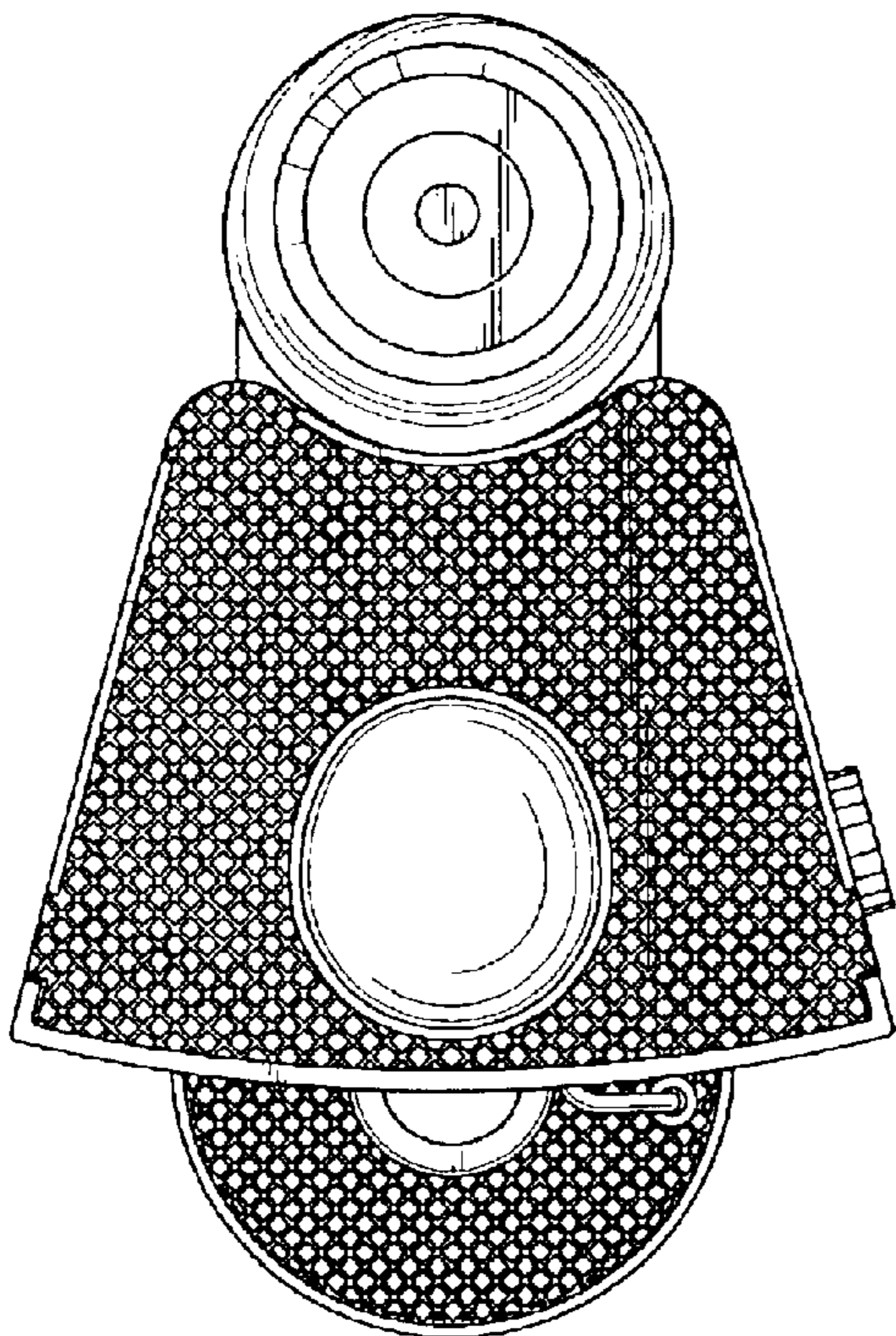


FIG. 6

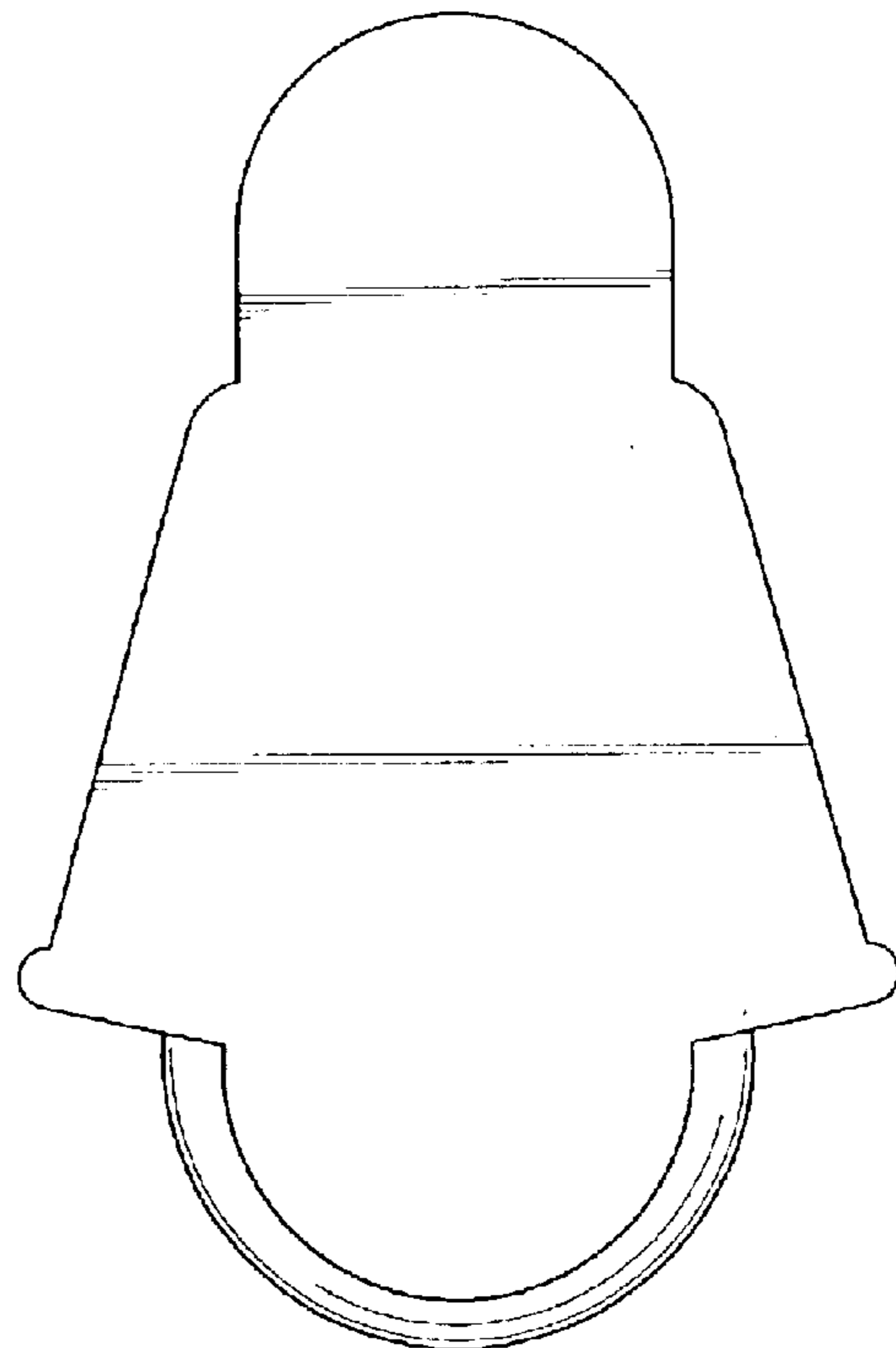


FIG. 7