

US00D495188S1

(12) **United States Design Patent**  
**Cahen**

(10) **Patent No.:** **US D495,188 S**

(45) **Date of Patent:** **\*\* Aug. 31, 2004**

(54) **COFFEE MACHINE**

(75) **Inventor:** **Antoine Cahen**, Lausanne (CH)

(73) **Assignee:** **Societe des Produits Nestle S.A.**,  
Vevey (CH)

(\*\*) **Term:** **14 Years**

(21) **Appl. No.:** **29/182,245**

(22) **Filed:** **May 21, 2003**

(51) **LOC (7) Cl.** ..... **07-01**

(52) **U.S. Cl.** ..... **D7/309; D7/311; D7/306**

(58) **Field of Search** ..... **D7/300, 309.3,**  
**D7/10, 311, 306, 307, 308, 312; 99/323,**  
**295, 285, 289 R, 282**

(56) **References Cited**

**U.S. PATENT DOCUMENTS**

D182,853 S	5/1958	Salati	.....	D7/309
D193,083 S	* 6/1962	Hopcraft	.....	D7/311
D281,943 S	12/1985	Rosalgino	.....	D7/309
D299,304 S	* 1/1989	Knochner et al.	.....	D7/309
D340,162 S	10/1993	Storsberg	.....	D7/309
D389,694 S	1/1998	Vinson	.....	D7/308
D419,362 S	1/2000	Bouhuys	.....	D7/306
D421,871 S	* 3/2000	Klosinski et al.	.....	D7/309
D424,361 S	5/2000	Kuboyama	.....	D7/309
D439,788 S	* 4/2001	Bettini	.....	D7/309

D443,792 S	6/2001	Peters et al.	.....	D7/306
D452,107 S	* 12/2001	Cahen	.....	D7/309
D455,596 S	* 4/2002	Boos	.....	D7/309
D460,653 S	* 7/2002	Cahen	.....	D7/309
D461,358 S	* 8/2002	Cahen	.....	D7/309

\* cited by examiner

*Primary Examiner*—M. N. Pandozzi

(74) *Attorney, Agent, or Firm*—Sheldon & Mak; Denton L. Anderson

(57) **CLAIM**

The ornamental design for a coffee machine, as shown and described.

**DESCRIPTION**

FIG. 1 is a perspective view of the coffee machine of the invention;

FIG. 2 is a front view of the coffee machine illustrated in FIG. 1;

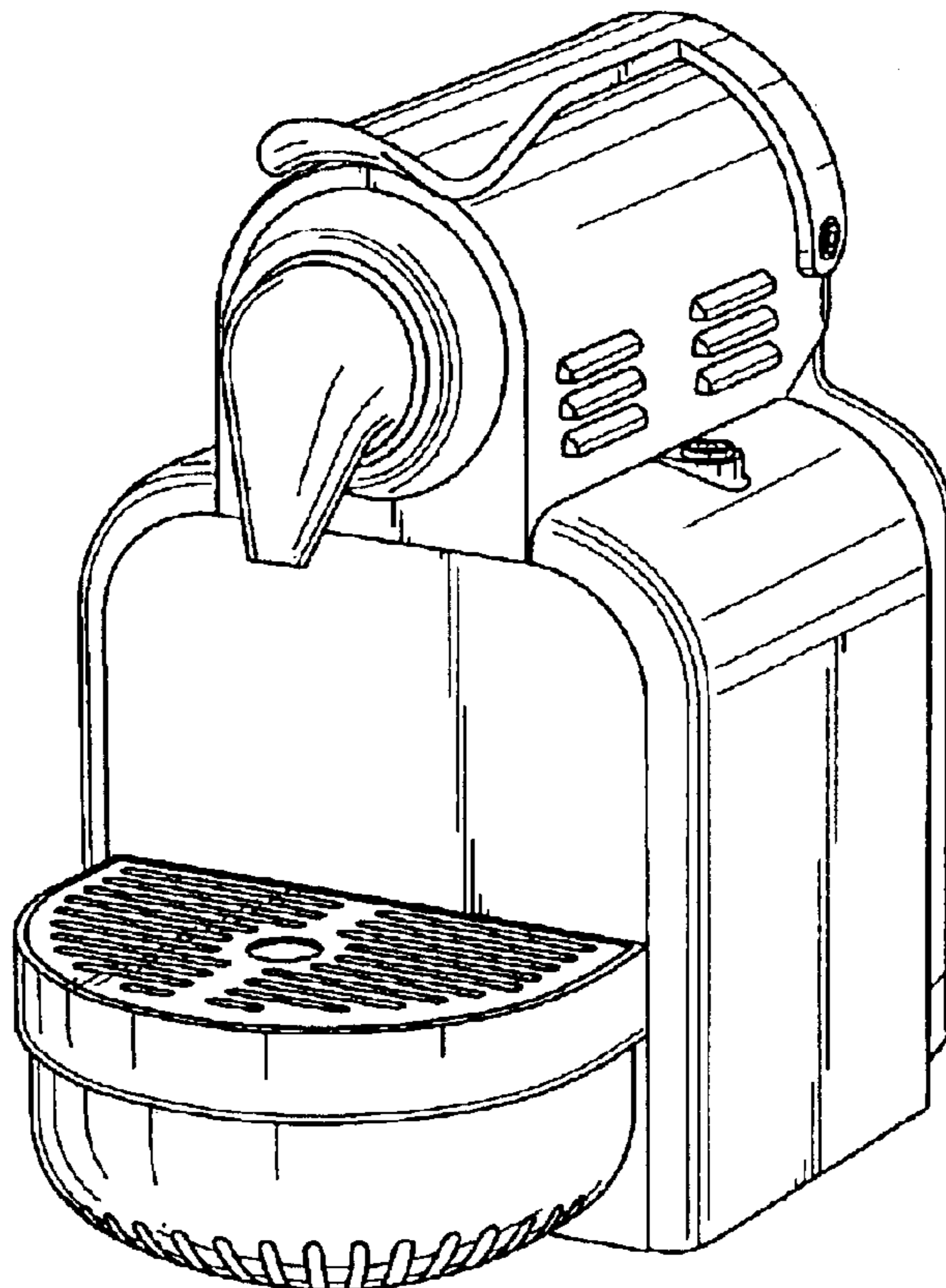
FIG. 3 is a rear view of the coffee machine illustrated in FIG. 1;

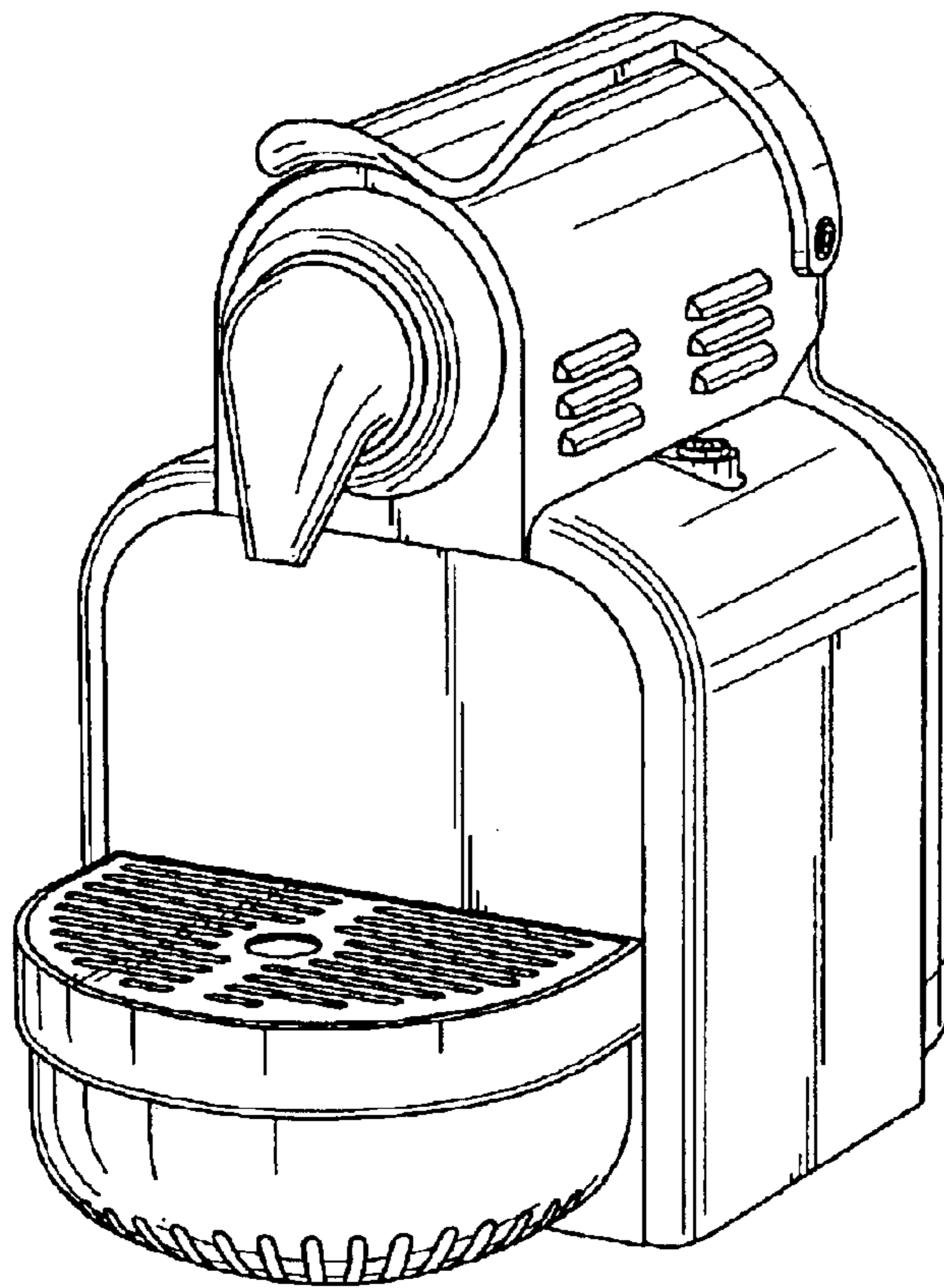
FIG. 4 is a first side view of the coffee machine illustrated in FIG. 1;

FIG. 5 is a second side view of the coffee machine illustrated in FIG. 1; and,

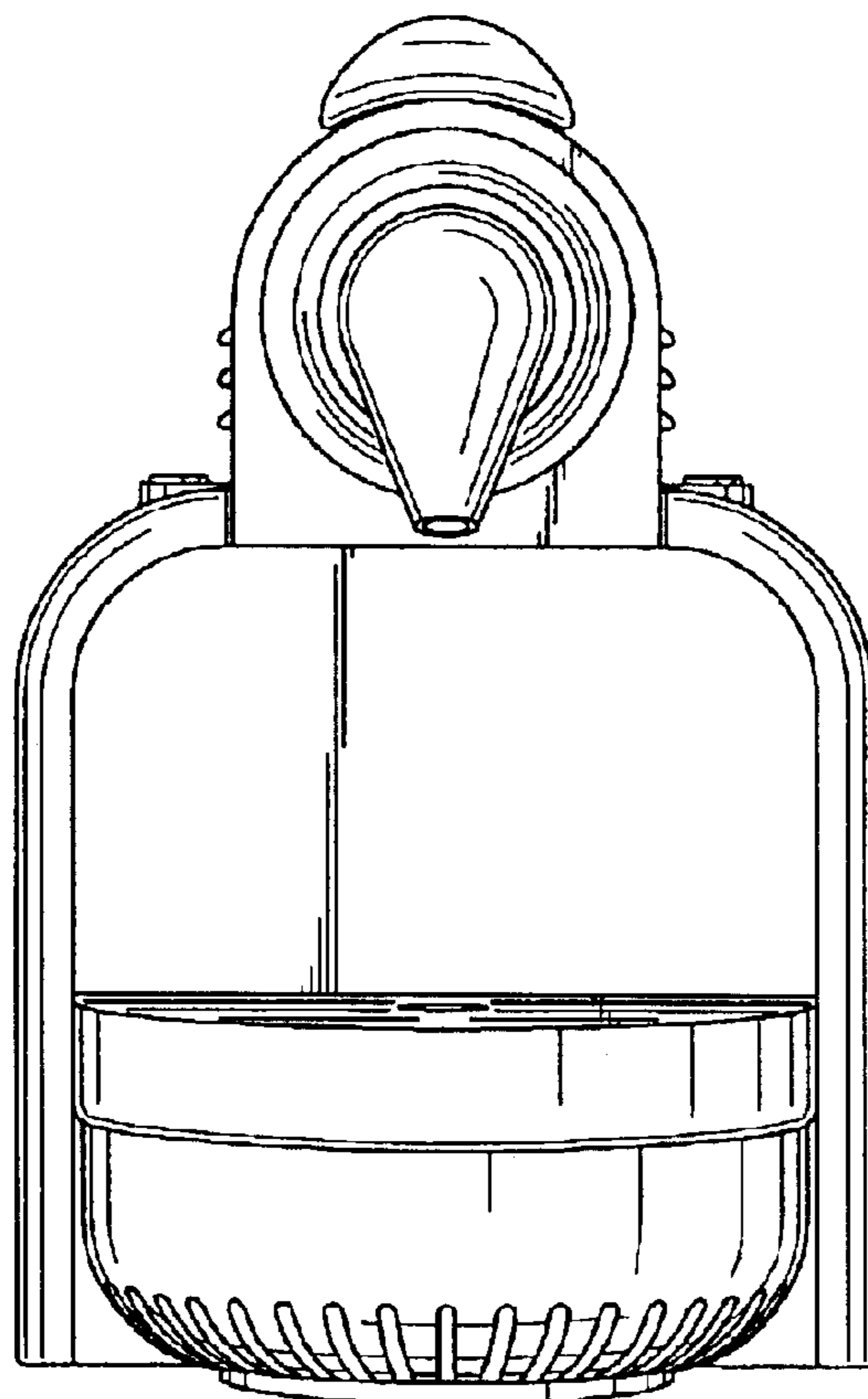
FIG. 6 is a top view of the coffee machine illustrated in FIG. 1.

**1 Claim, 3 Drawing Sheets**



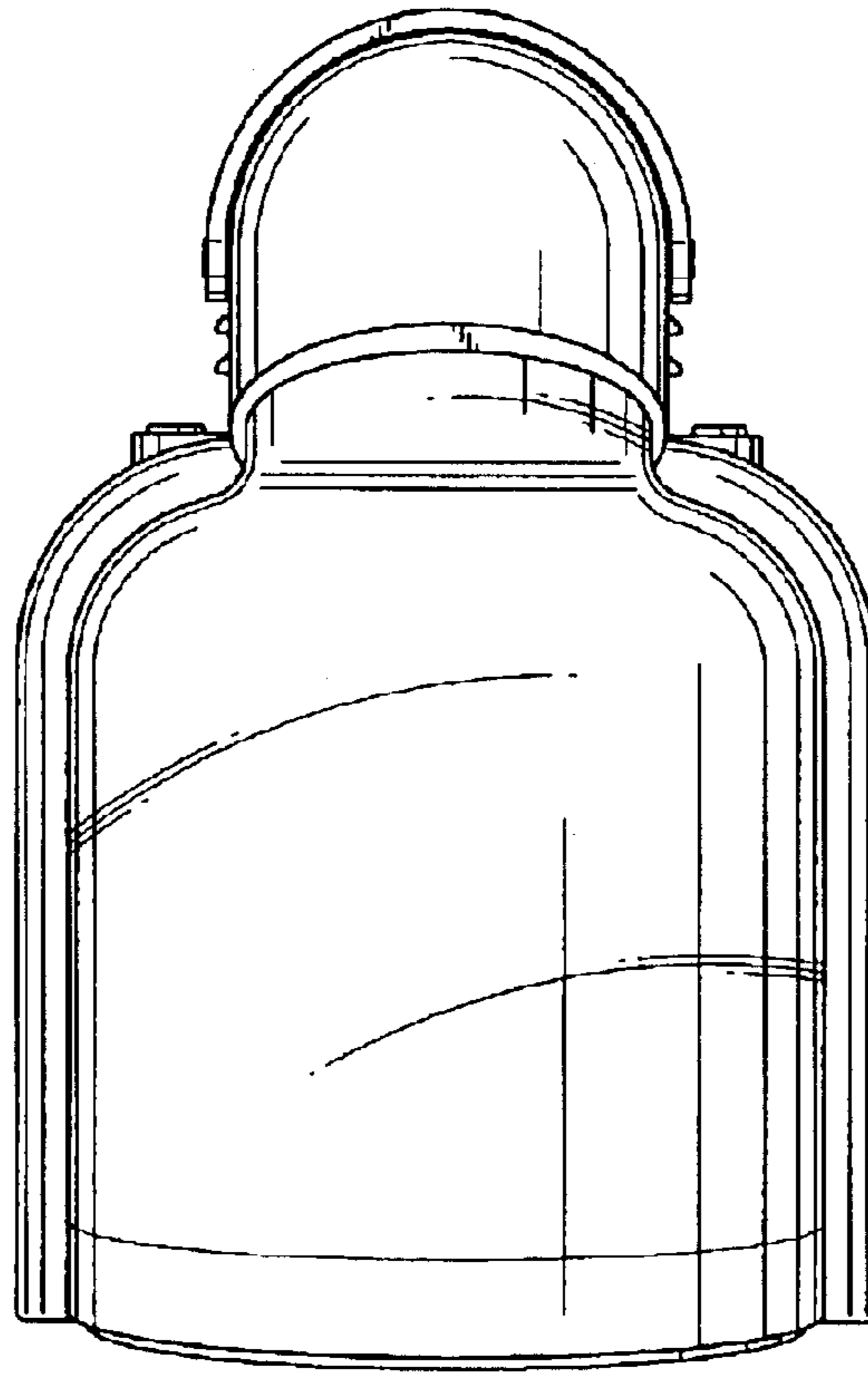


*FIG. 1*

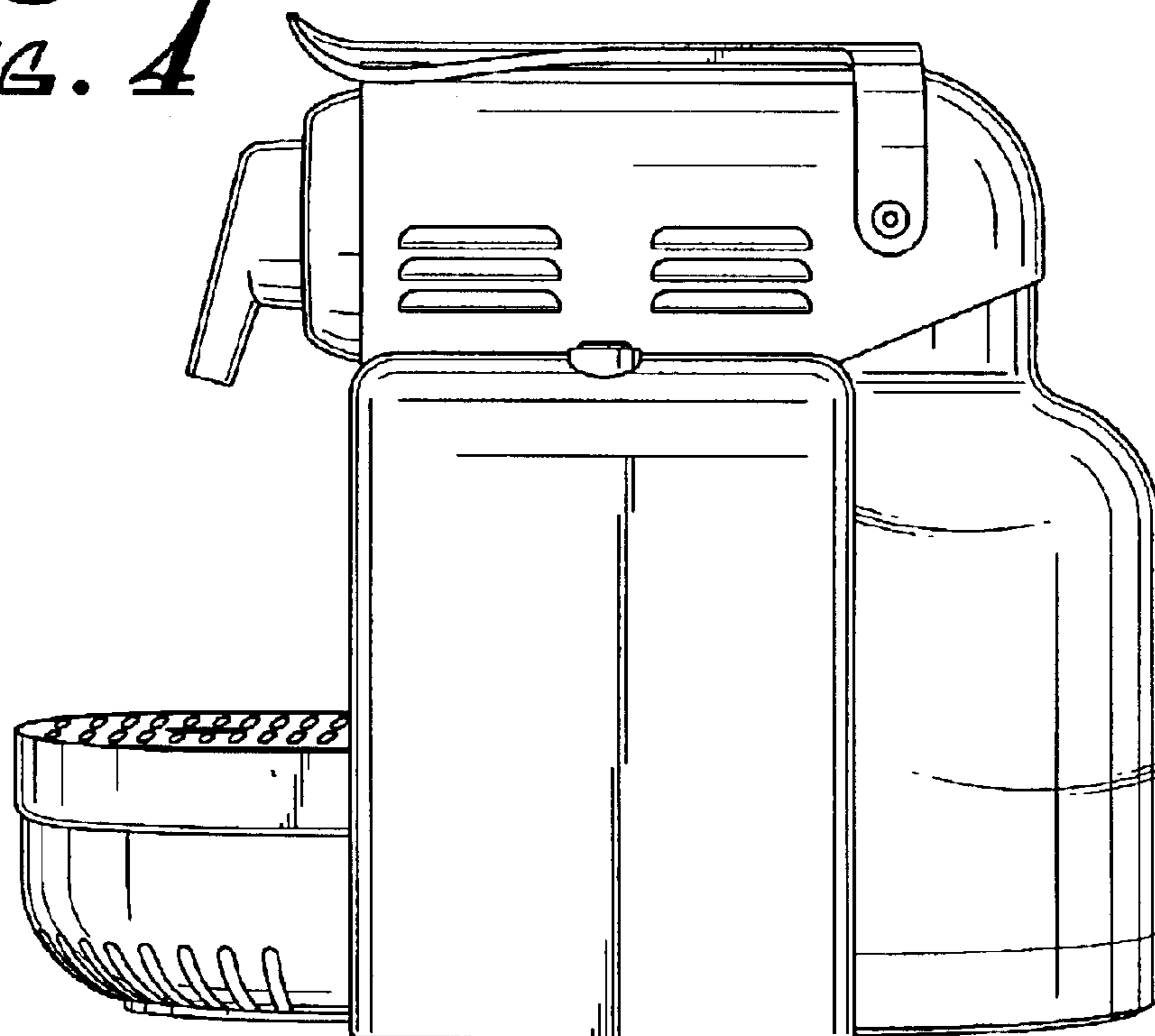


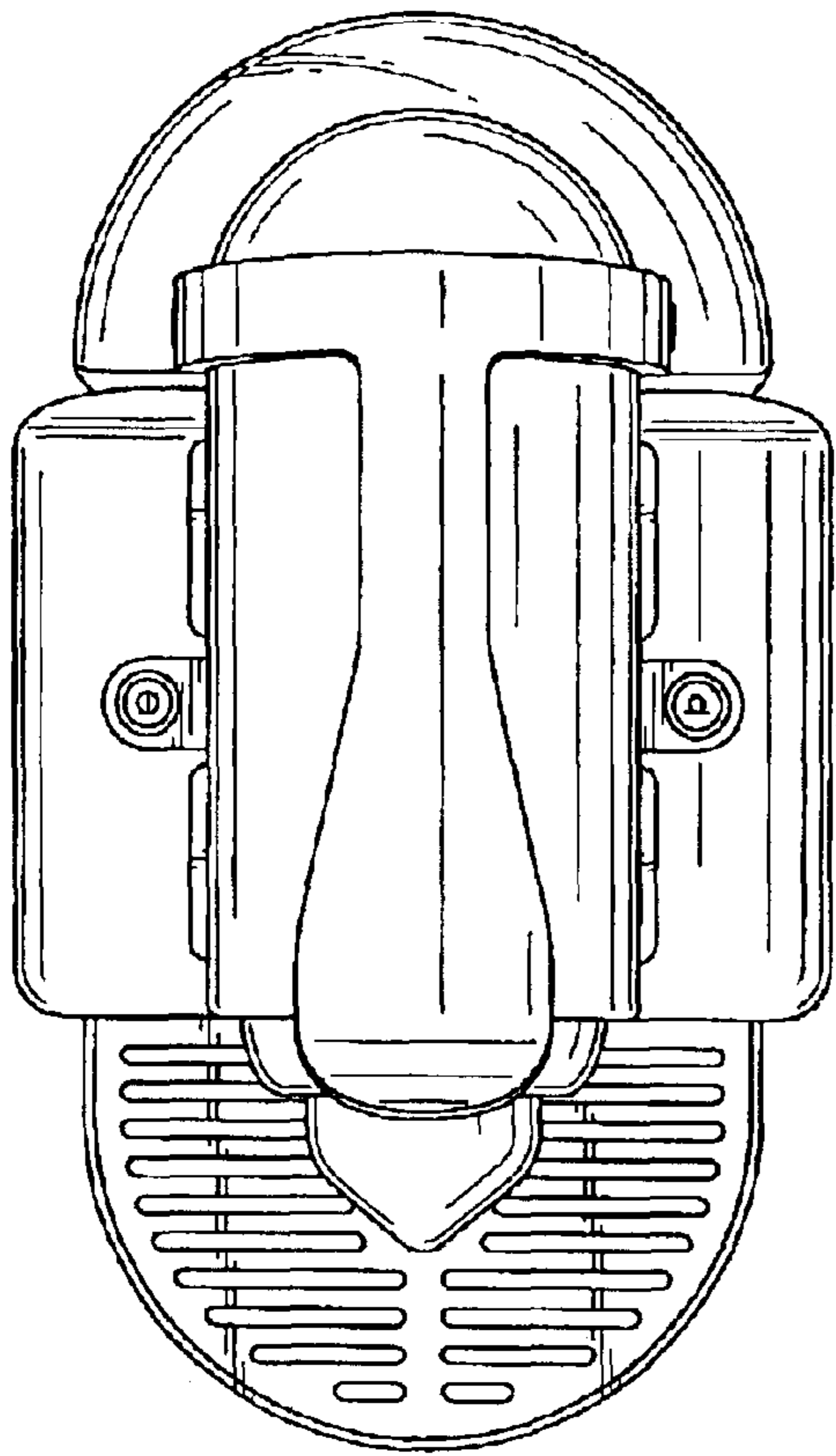
*FIG. 2*

*FIG. 3*

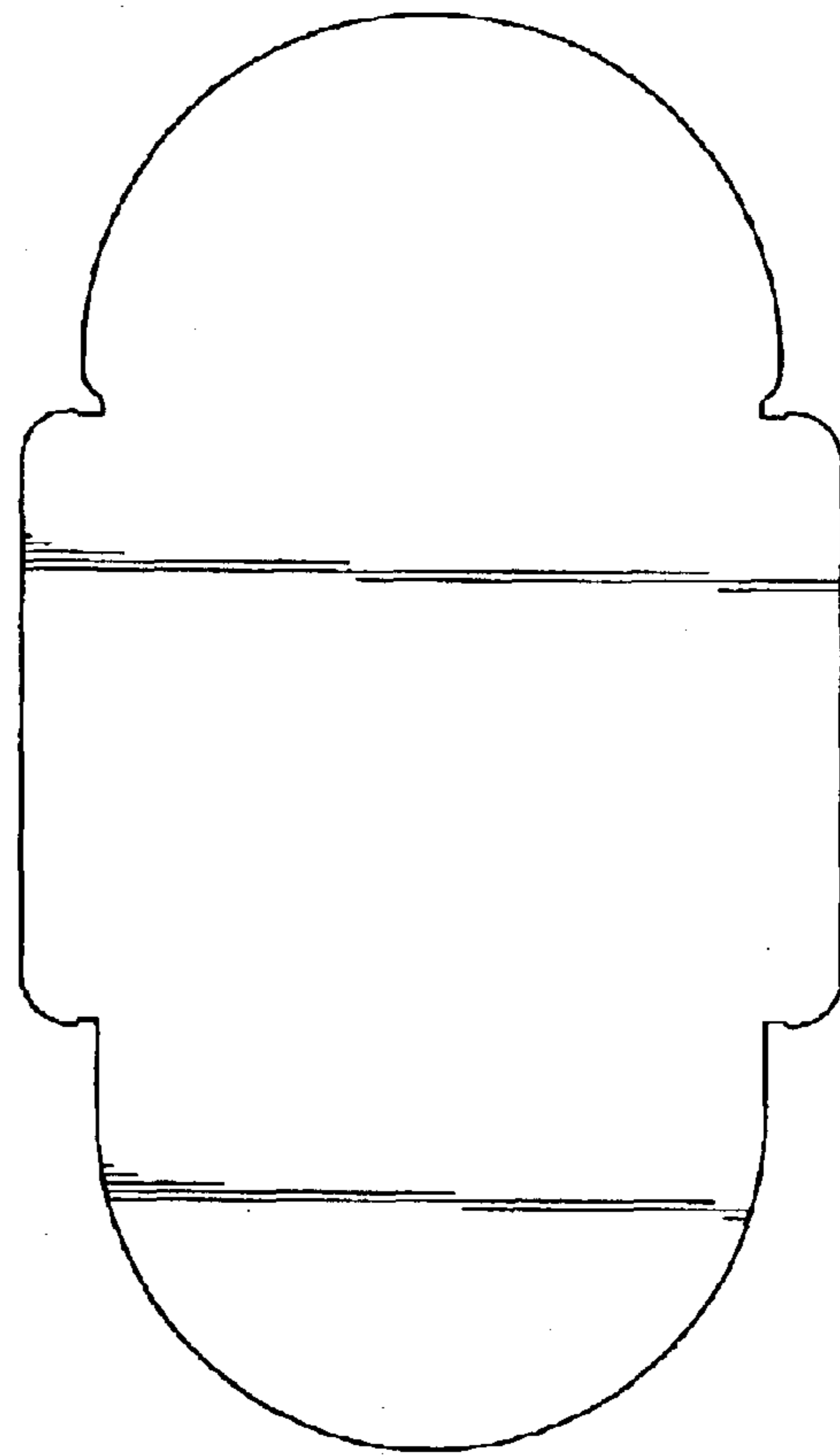


*FIG. 4*





*FIG. 5*



*FIG. 6*