



US00D495187S1

(12) **United States Design Patent**
Cahen

(10) **Patent No.:** **US D495,187 S**

(45) **Date of Patent:** **** Aug. 31, 2004**

(54) **COFFEE MACHINE**

(75) **Inventor:** **Antoine Cahen**, Lausanne (CH)

(73) **Assignee:** **Socete des Produits Nestle S.A.**,
Vevey (CH)

(**) **Term:** **14 Years**

(21) **Appl. No.:** **29/181,649**

(22) **Filed:** **May 14, 2003**

(51) **LOC (7) Cl.** **07-01**

(52) **U.S. Cl.** **D7/309; D7/311; D7/306**

(58) **Field of Search** **D7/300, 309, 310,**
D7/311, 306, 307, 308, 312; 99/323, 295,
285, 289 R, 282

(56) **References Cited**

U.S. PATENT DOCUMENTS

D182,853 S	5/1958	Salati	D7/309
D193,083 S	* 6/1962	Hopcraft	D7/311
D281,943 S	12/1985	Rosalgino	D7/309
D299,304 S	* 1/1989	Knochner et al.	D7/309
D340,162 S	10/1993	Storsberg	D7/309
D389,694 S	1/1998	Vinson	D7/308
D419,362 S	1/2000	Bouhuys	D7/306
D421,871 S	* 3/2000	Klosinski et al.	D7/309
D424,361 S	5/2000	Kuboyama	D7/309
D439,788 S	* 4/2001	Bettini	D7/309

D443,792 S	6/2001	Peters et al.	D7/306
D452,107 S	* 12/2001	Cahen	D7/309
D455,596 S	* 4/2002	Boos	D7/309
D460,653 S	* 7/2002	Cahen	D7/309
D461,358 S	* 8/2002	Cahen	D7/309

* cited by examiner

Primary Examiner—M. N. Pandozzi

(74) *Attorney, Agent, or Firm*—Sheldon & Mak; Denton L. Anderson

(57) **CLAIM**

The ornamental design for a coffee machine, as shown and described.

DESCRIPTION

FIG. 1 is a perspective view of the coffee machine of the invention;

FIG. 2 is a front view of the coffee machine illustrated in FIG. 1;

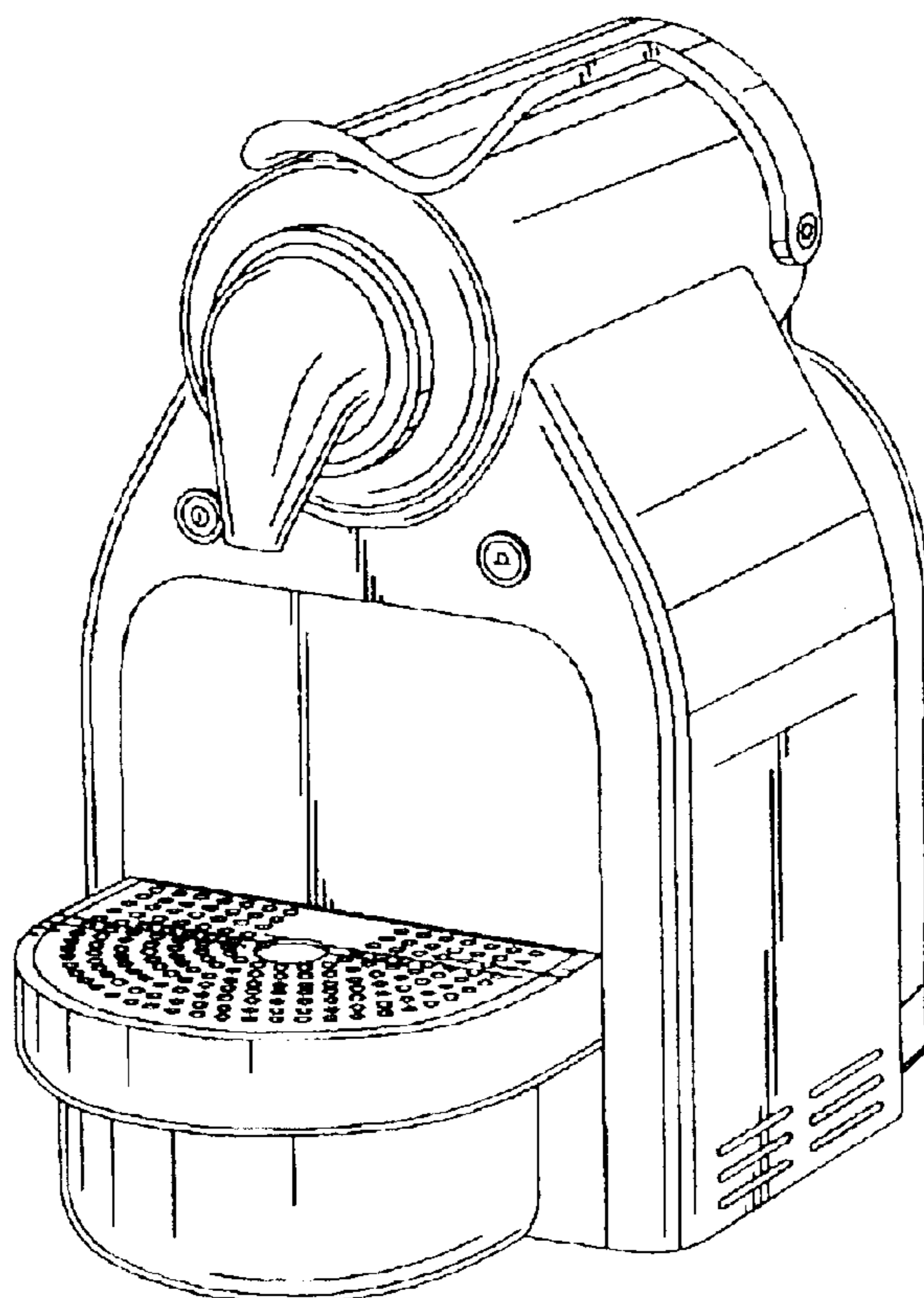
FIG. 3 is a rear view of the coffee machine illustrated in FIG. 1;

FIG. 4 is a first side view of the coffee machine illustrated in FIG. 1;

FIG. 5 is a second side view of the coffee machine illustrated in FIG. 1; and,

FIG. 6 is a top view of the coffee machine illustrated in FIG. 1.

1 Claim, 3 Drawing Sheets



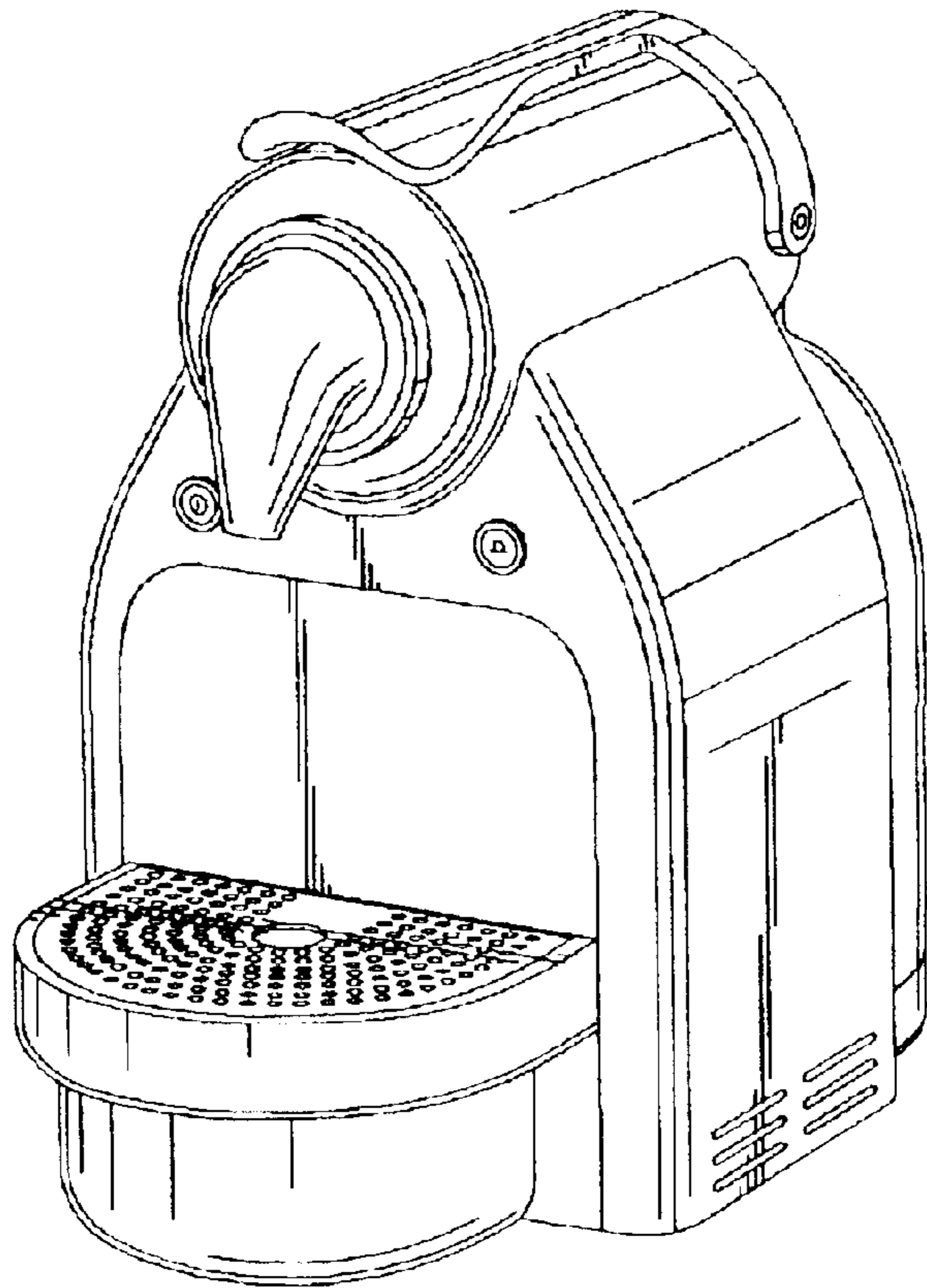


FIG. 1

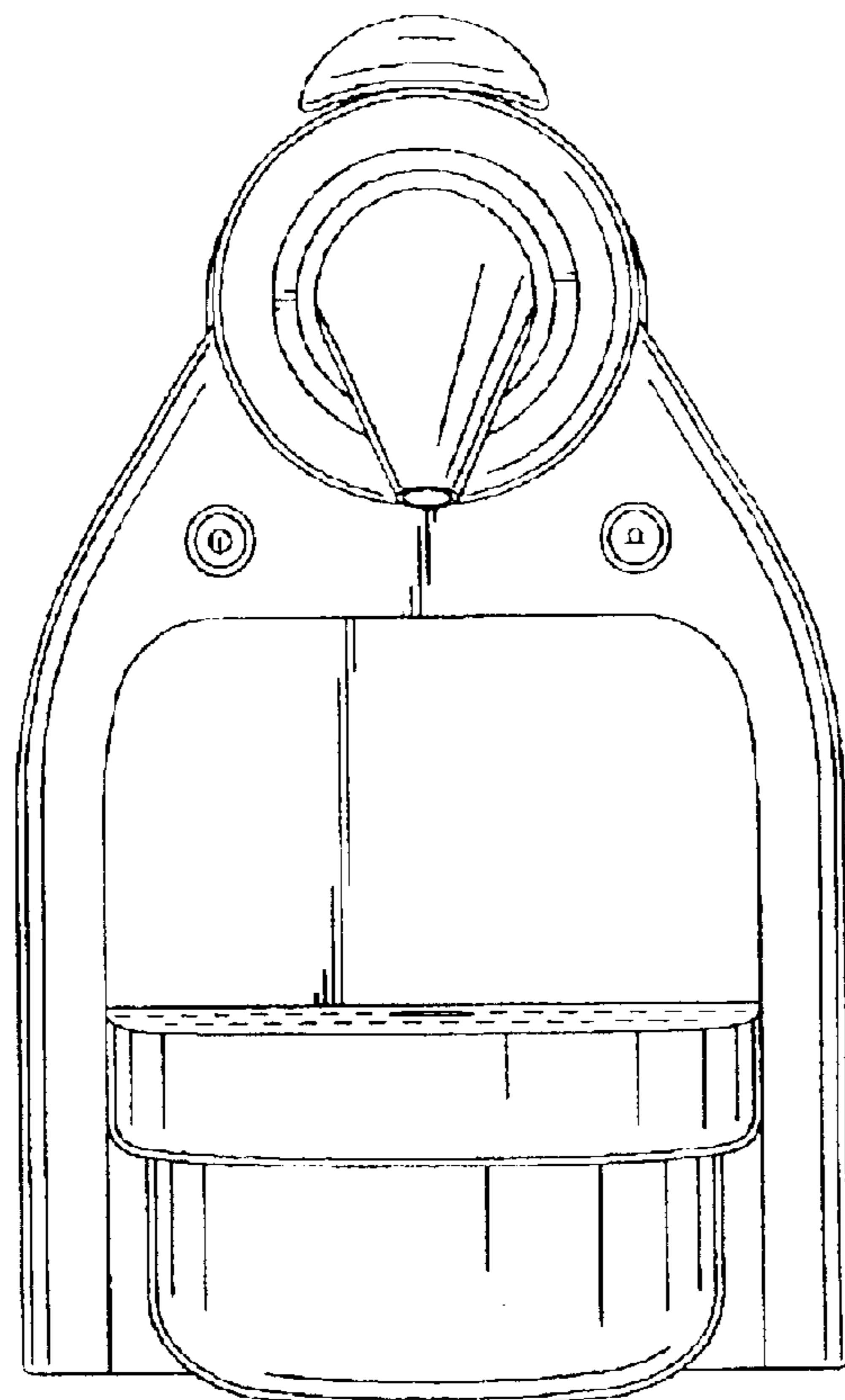


FIG. 2

FIG. 3

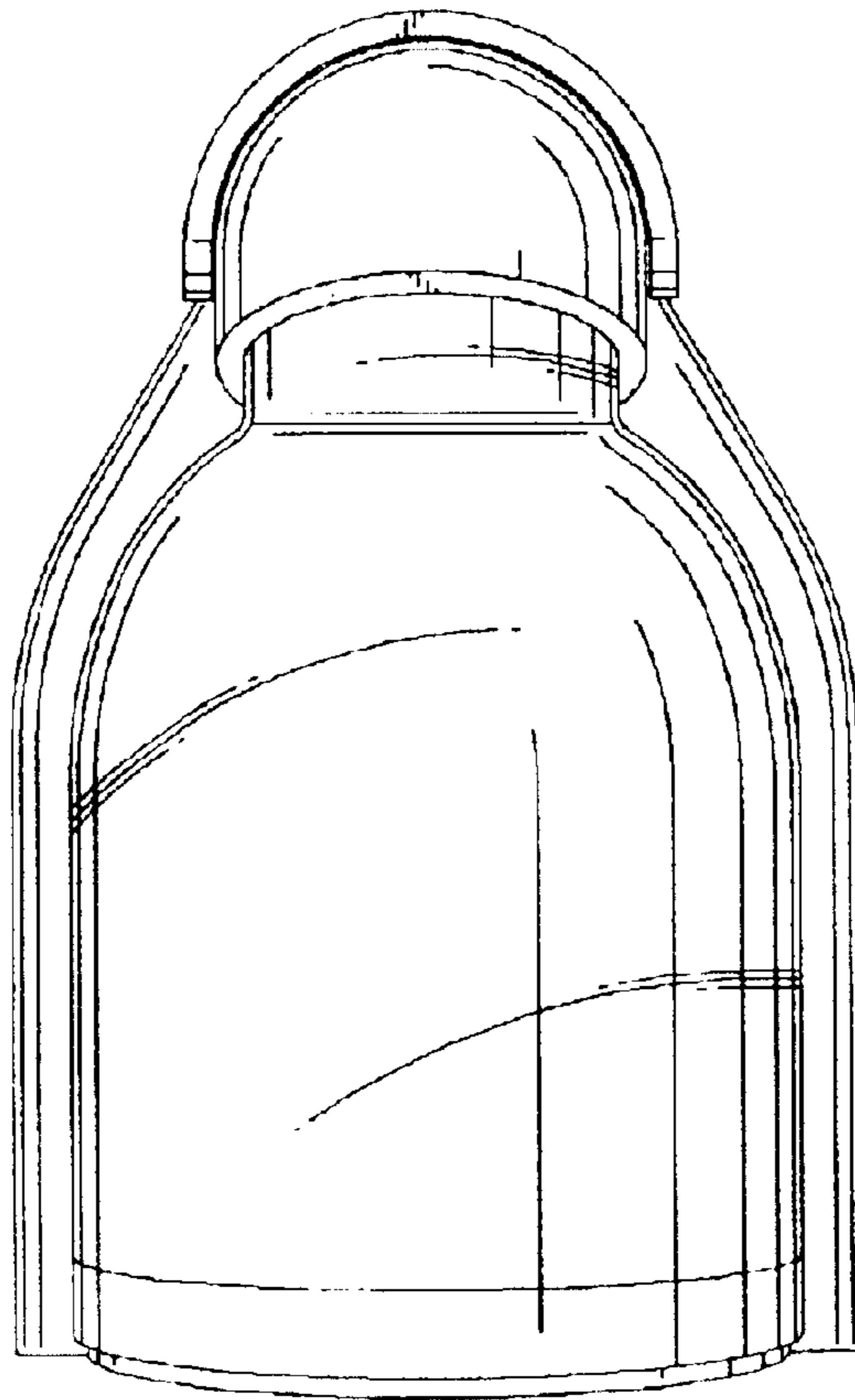
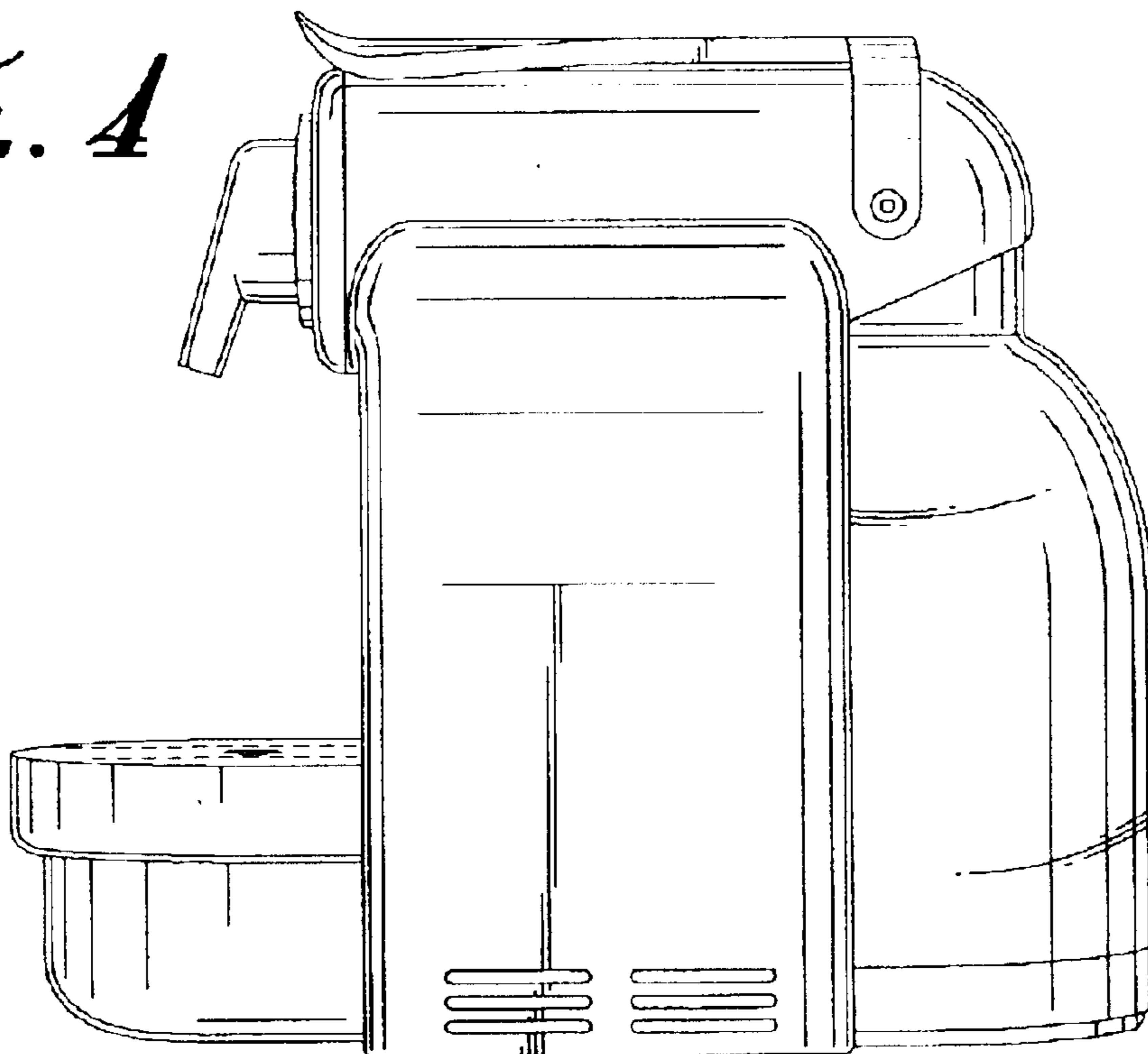


FIG. 4



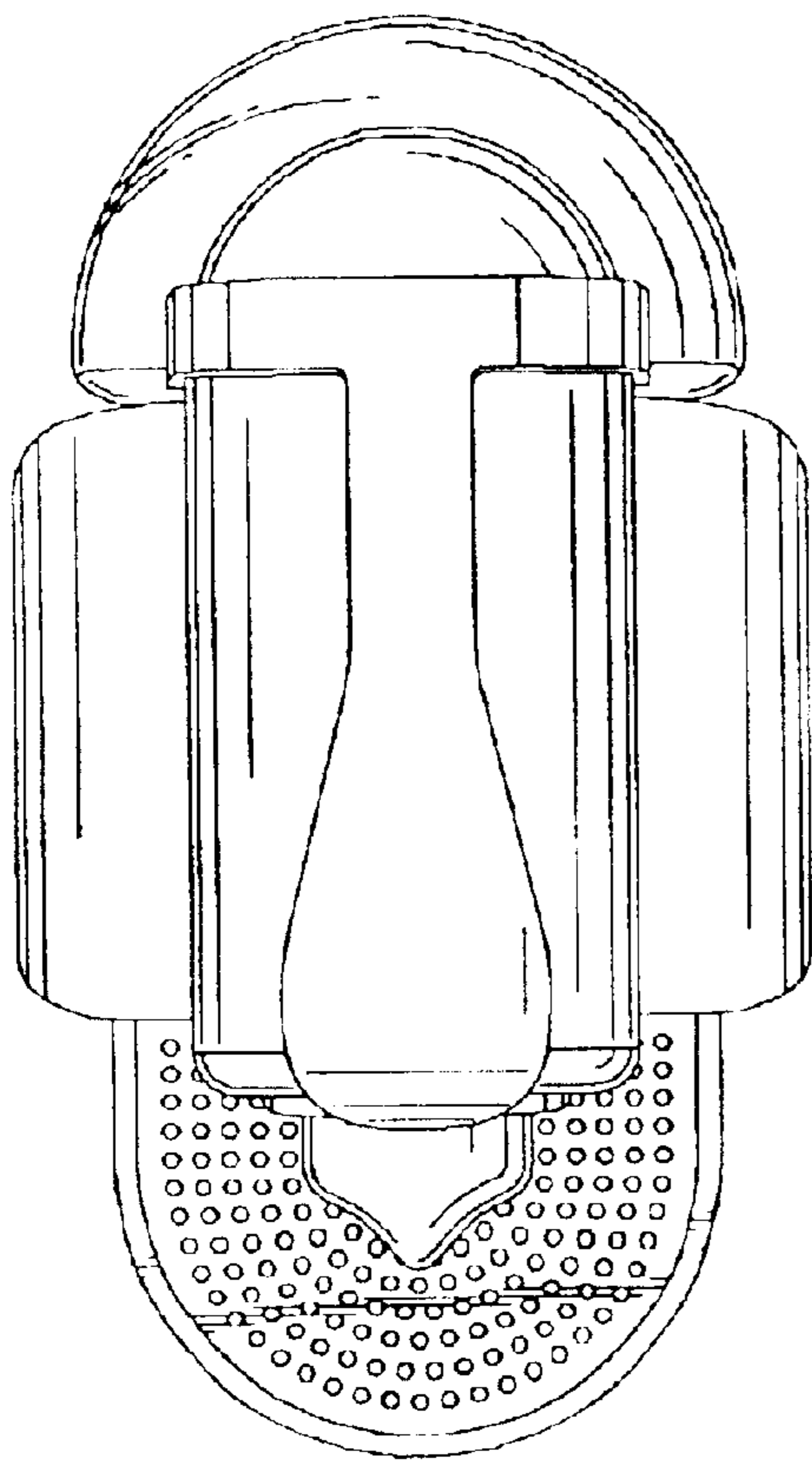


FIG. 5

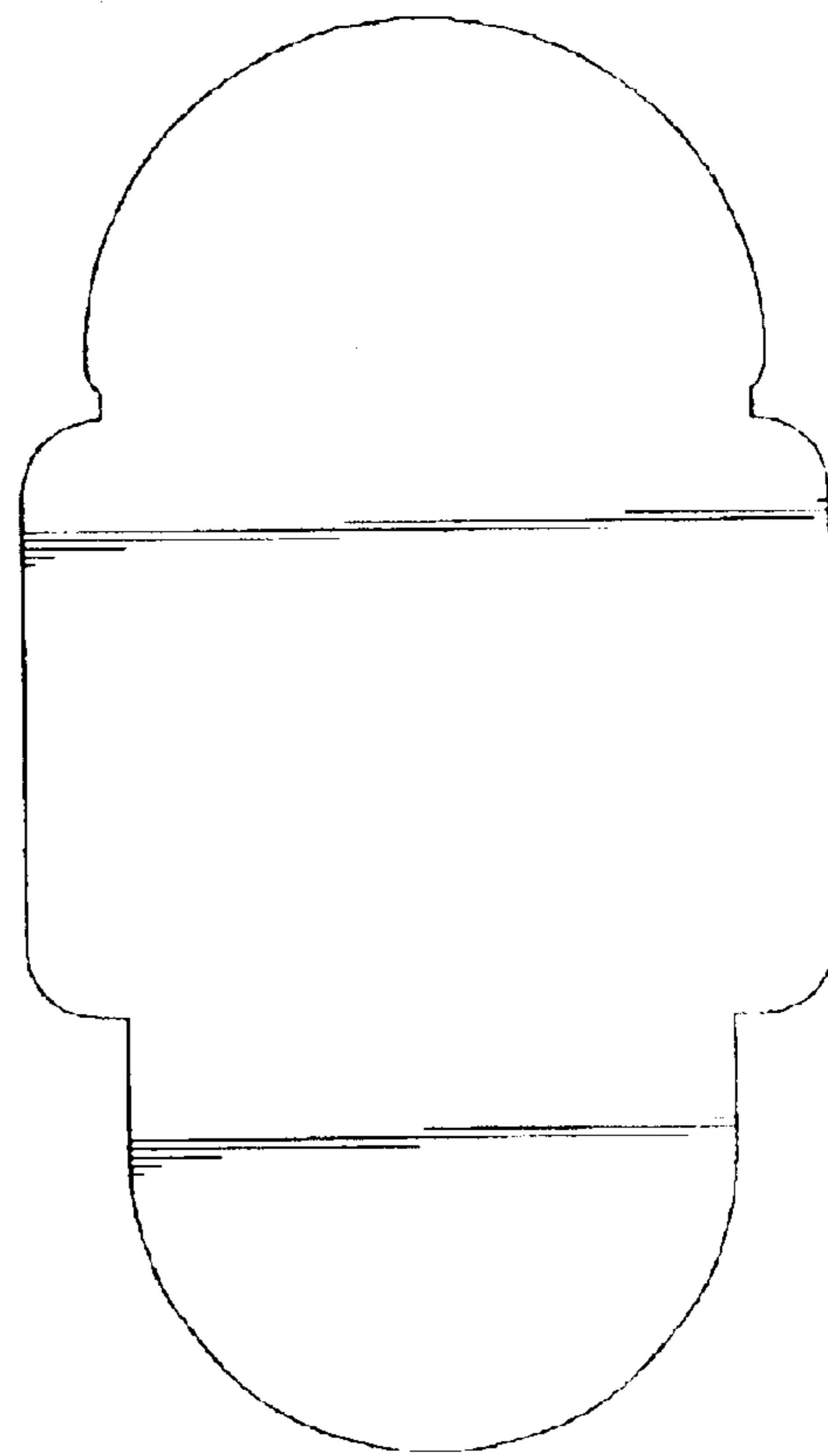


FIG. 6