

US00D495185S1

(12) **United States Design Patent**
Palmer

(10) **Patent No.:** **US D495,185 S**

(45) **Date of Patent:** **** Aug. 31, 2004**

(54) **MEDIA STORAGE CASE**

(75) **Inventor:** **Christopher G. Palmer**, Fremont, CA
(US)

(73) **Assignee:** **The Laserline Company**, Norwalk, CT
(US)

(**) **Term:** **14 Years**

(21) **Appl. No.:** **29/145,623**

(22) **Filed:** **Jul. 26, 2001**

(51) **LOC (7) Cl.** **06-04**

(52) **U.S. Cl.** **D6/632; D6/407**

(58) **Field of Search** D3/201, 218; D6/407,
D6/626-635; 206/307.1, 308.1, 308.2, 308.3,
309, 311, 312, 387.11, 387.12, 387.15;
369/37, 75.2, 291; 379/355

(56) **References Cited**

U.S. PATENT DOCUMENTS

D383,620 S	*	9/1997	Smith et al.	D6/407
D403,915 S	*	1/1999	Temple et al.	D6/631
D404,917 S	*	2/1999	Miller et al.	D3/294
D414,935 S	*	10/1999	Bould	D3/301
D421,526 S	*	3/2000	Isaacson	D3/303
D424,105 S	*	5/2000	Platte, III	D19/27
D434,796 S	*	12/2000	Coleman	D19/27
D434,938 S	*	12/2000	Hillman	
D435,385 S	*	12/2000	Eskandry	D6/633
D435,591 S	*	12/2000	Wyant	D19/27
D437,172 S	*	2/2001	Hillman	D6/633
6,186,321 B1	*	2/2001	Eskandry	206/308.1
D449,645 S	*	10/2001	Gung	D19/26
D455,260 S	*	4/2002	Eskandry	D3/226

6,409,013 B1	*	6/2002	Eskandry	206/308.1
D459,887 S	*	7/2002	Johnson	D3/303
D467,079 S	*	12/2002	Willows et al.	D3/303
D471,052 S	*	3/2003	Nieves	D6/633
D477,134 S	*	7/2003	Palmer	D3/218
D484,687 S	*	1/2004	Hassett	3/218

* cited by examiner

Primary Examiner—Celia A. Murphy

(74) *Attorney, Agent, or Firm*—St. Onge Steward Johnston
& Reens LLC

(57) **CLAIM**

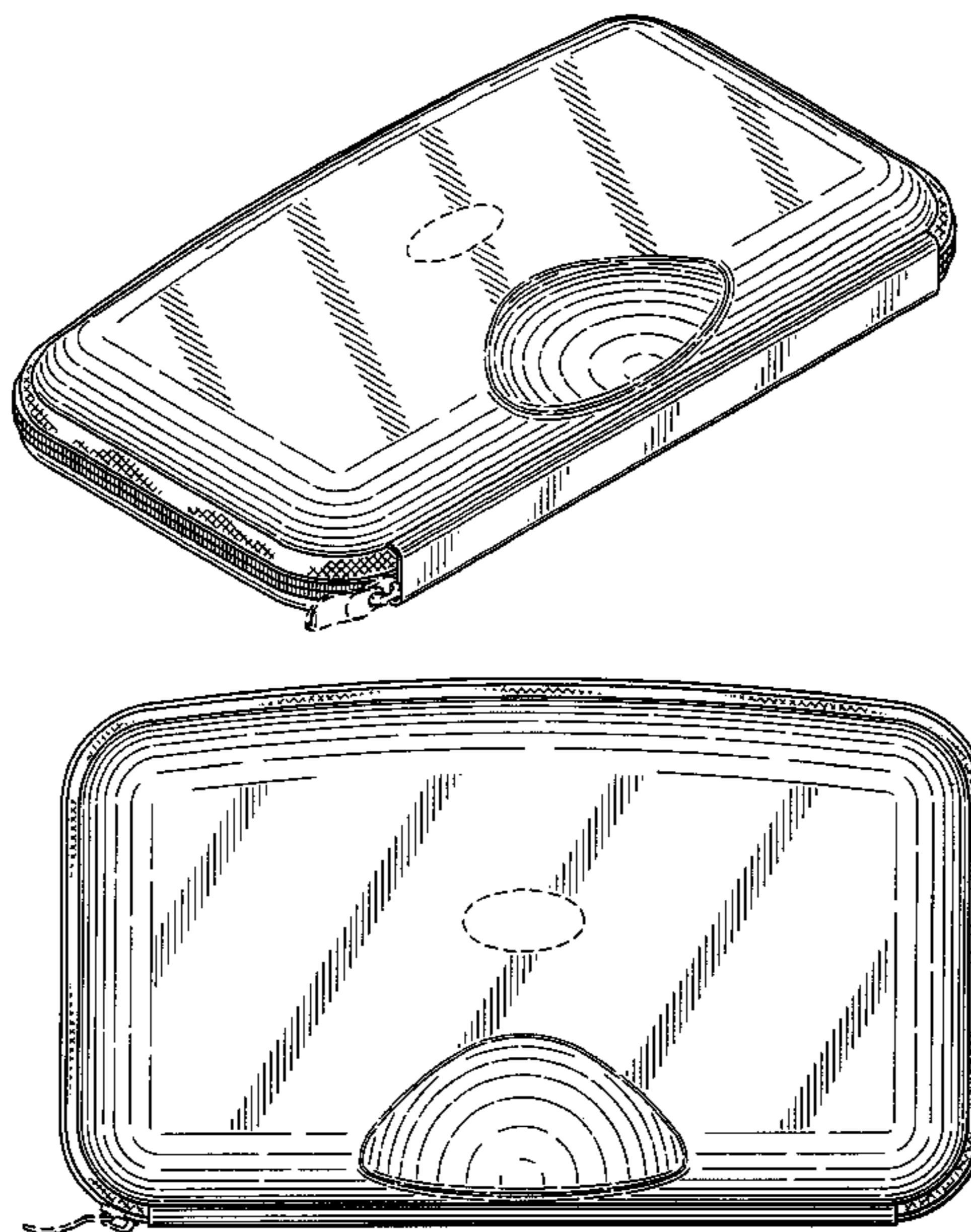
I claim the ornamental design for a media storage case, as shown and described.

DESCRIPTION

FIG. 1 is a top perspective view of a media storage case showing my new design;
 FIG. 2 is a rear elevational view thereof;
 FIG. 3 is a front elevational view thereof;
 FIG. 4 is a top plan view thereof;
 FIG. 5 is a left side elevational view thereof, rotated clockwise, 90 degrees;
 FIG. 6 is a right side elevational view thereof, rotated counterclockwise, 90 degrees; and,
 FIG. 7 is a bottom plan view thereof.

The broken line showing a fastener-pull in FIGS. 1-5, & 7, shows the portion of the design that forms no part of the claim. The broken lines showing an oval shape in FIGS. 1 & 4 represent the boundary of the design. Neither the broken lines, nor the areas within the broken lines form any part of the claim.

1 Claim, 5 Drawing Sheets



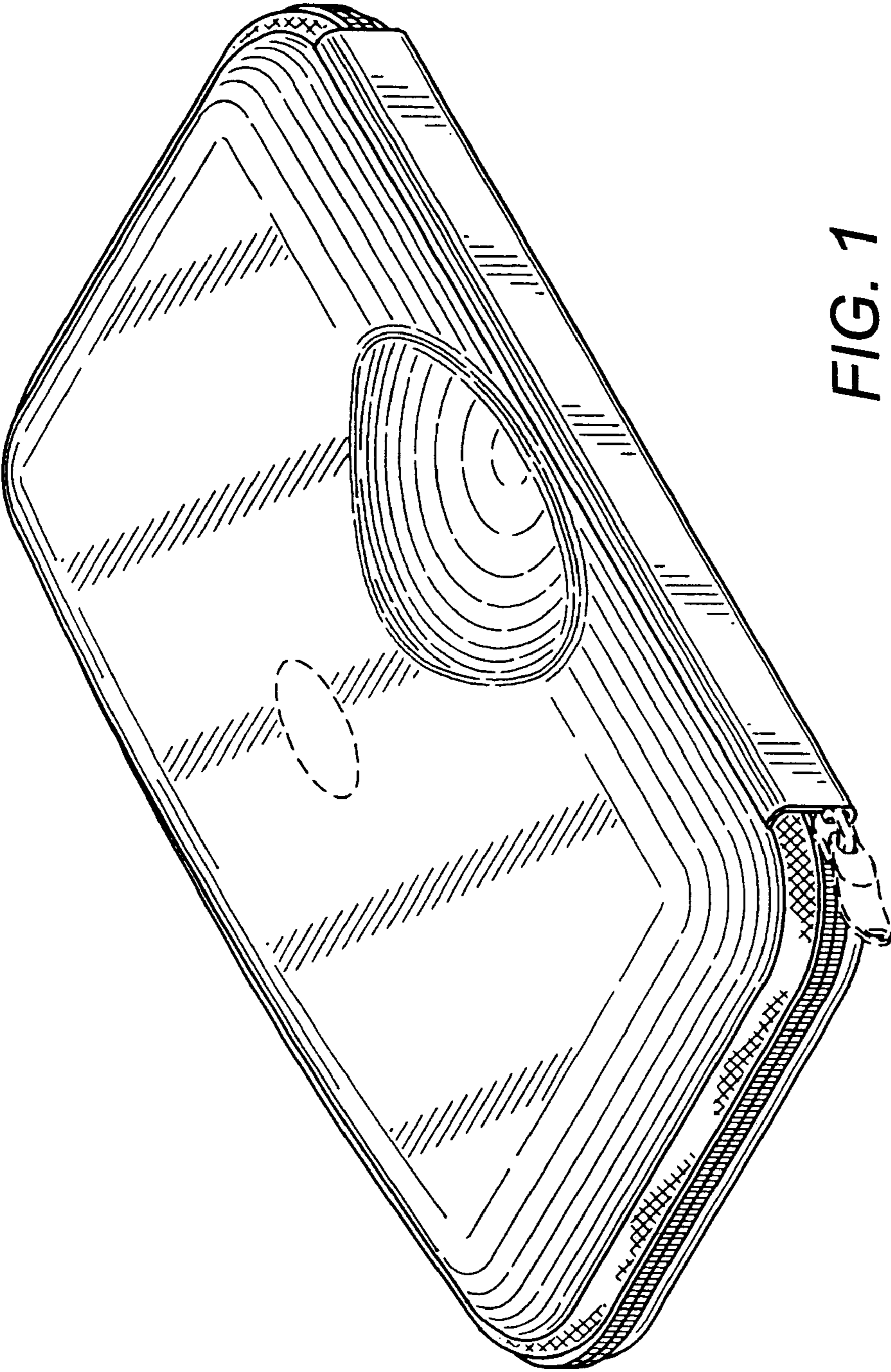


FIG. 1

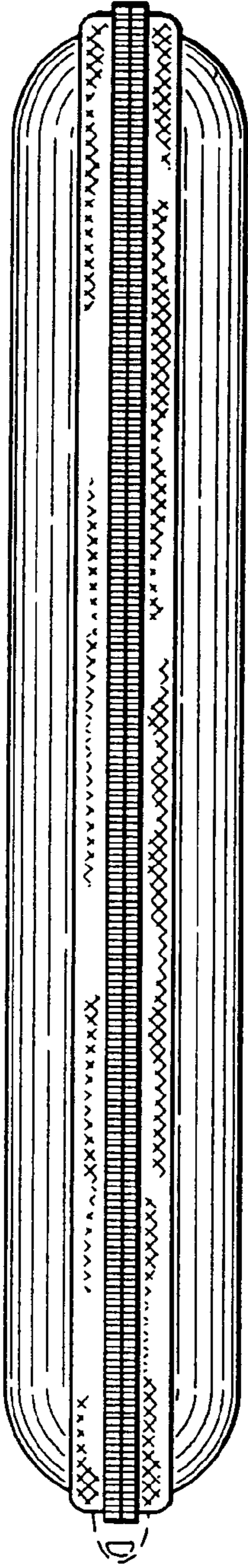


FIG. 2

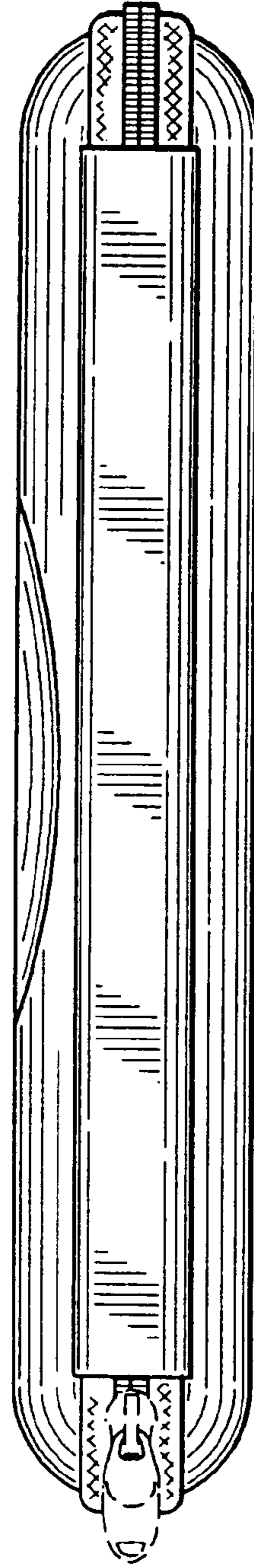


FIG. 3

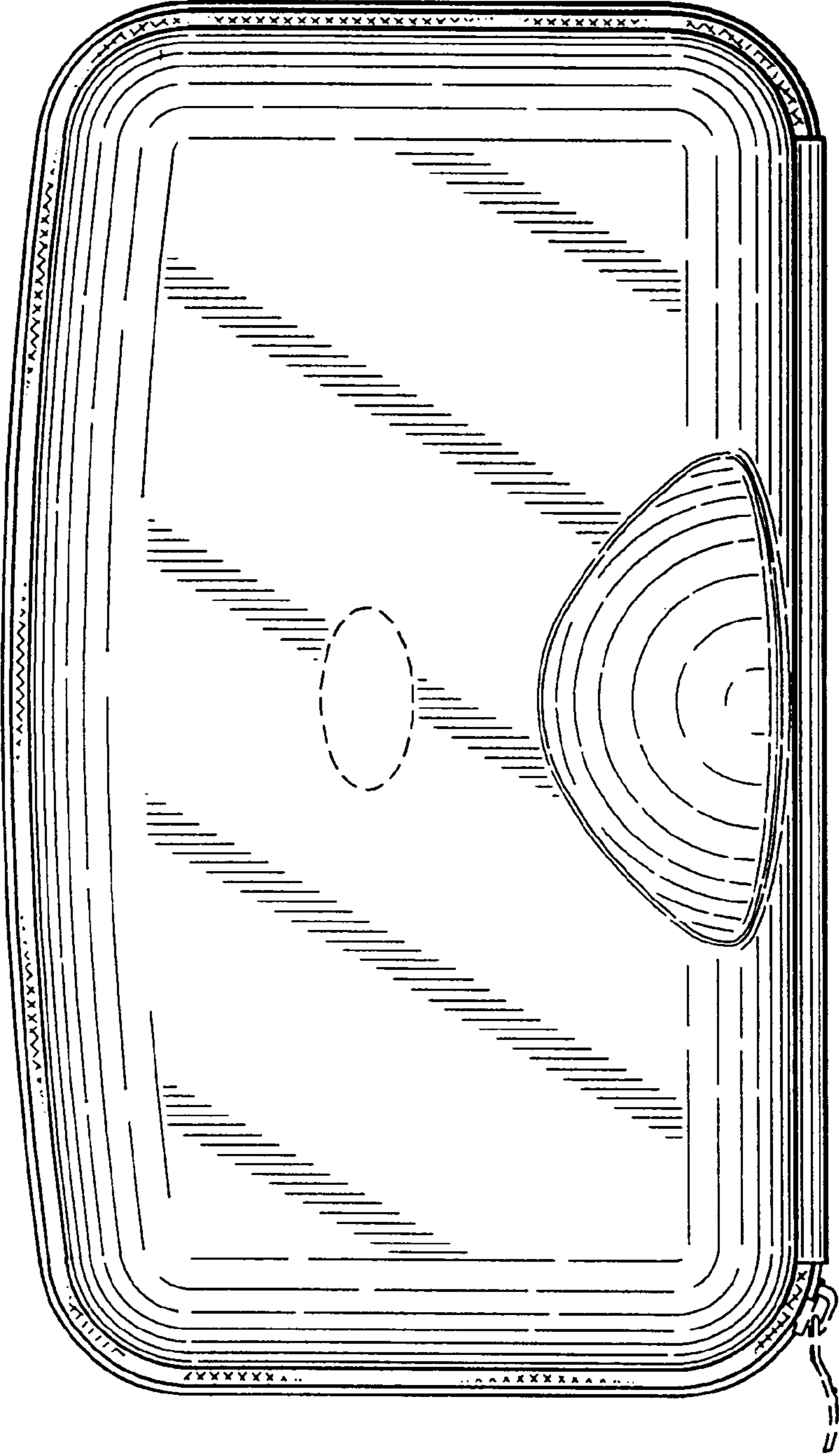


FIG. 4

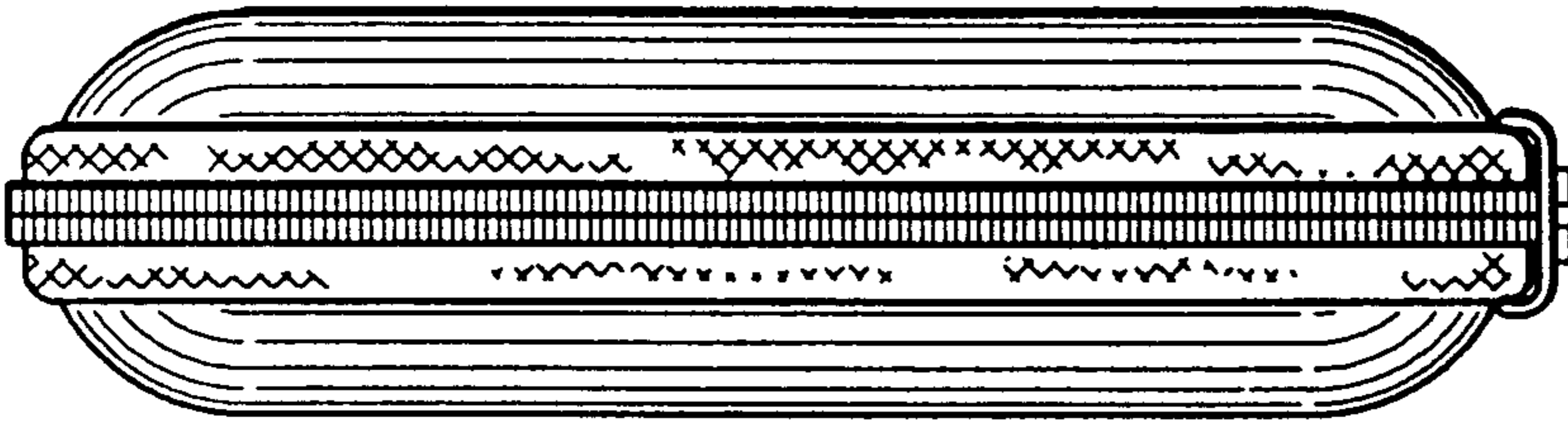


FIG. 6

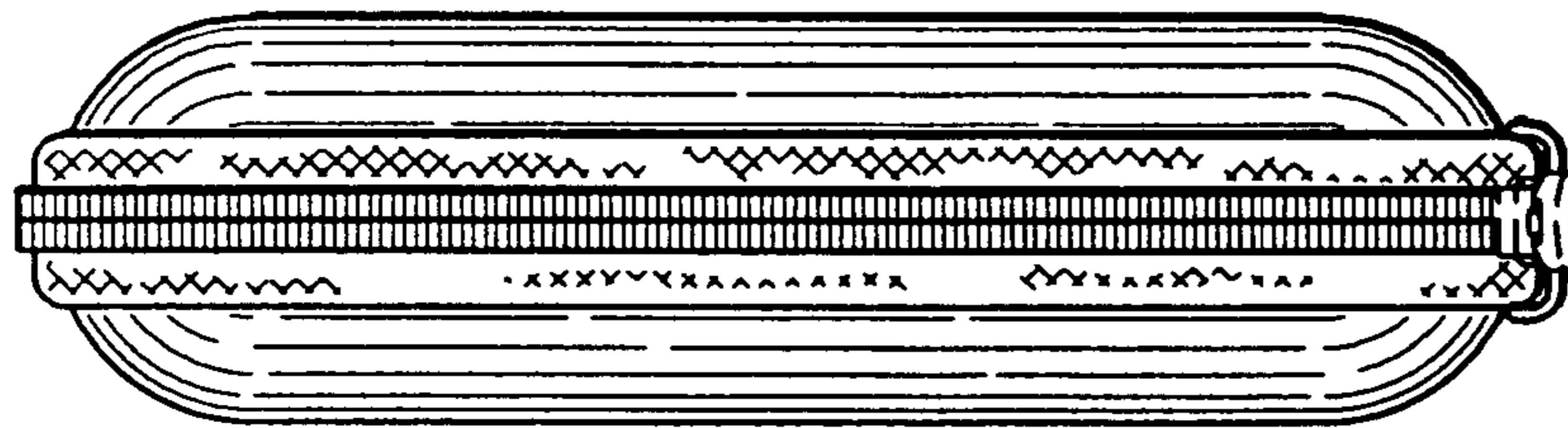


FIG. 5

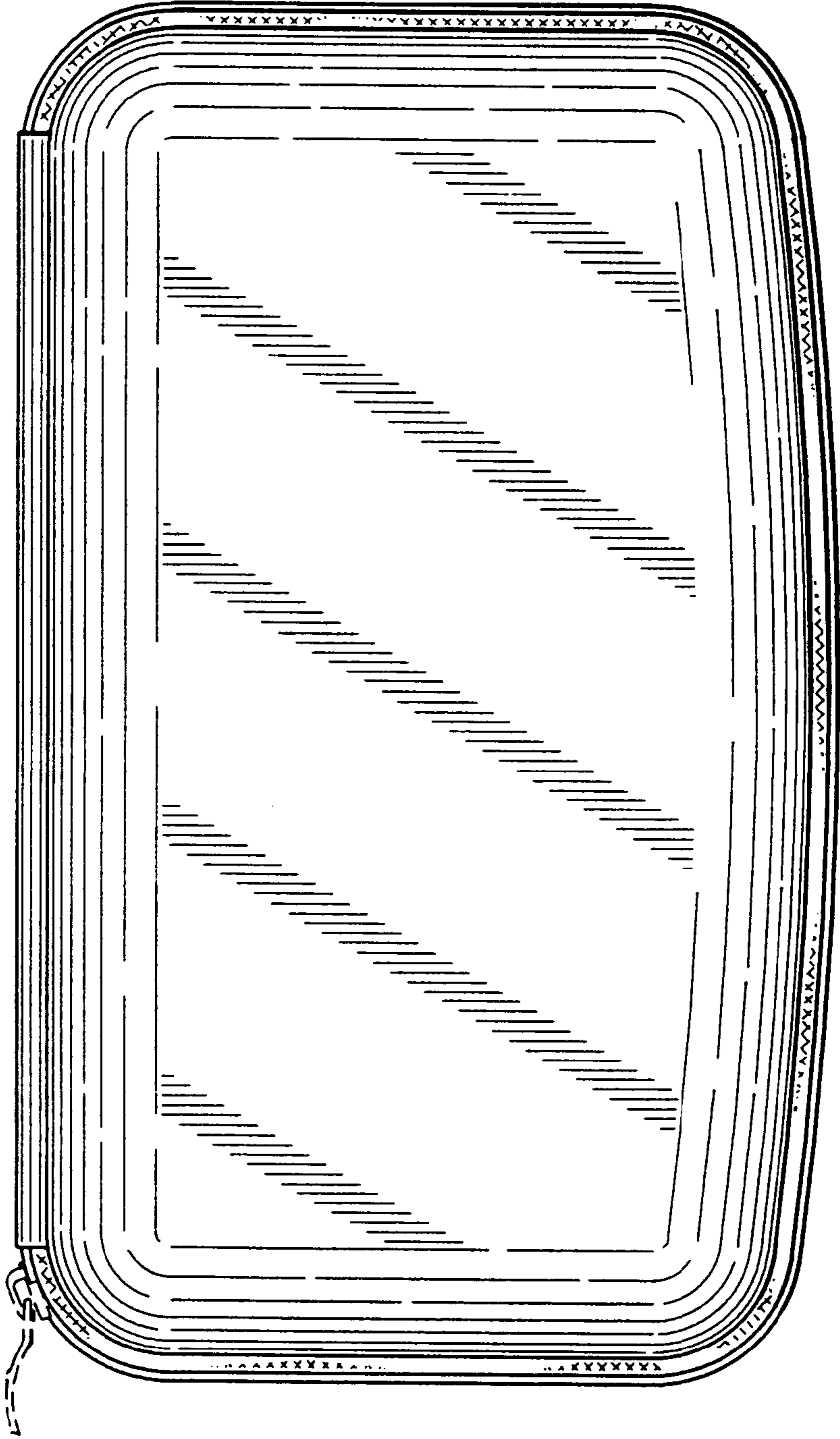


FIG. 7