

US00D495180S1

(12) **United States Design Patent** (10) **Patent No.:** **US D495,180 S**
Painter et al. (45) **Date of Patent:** **** *Aug. 31, 2004**

(54) **TOWEL BAR AND SHELF**

(75) Inventors: **Michael J. Painter**, Columbus, OH (US); **Christopher P. Marks**, Pickerington, OH (US); **Paul P. Kolada**, Bexley, OH (US)

(73) Assignee: **American Standard International Inc.**, New York, NY (US)

(*) Notice: This patent is subject to a terminal disclaimer.

(**) Term: **14 Years**

(21) Appl. No.: **29/167,330**

(22) Filed: **Sep. 12, 2002**

(51) **LOC (7) Cl.** **23-02**

(52) **U.S. Cl.** **D6/527; D6/549; D6/574**

(58) **Field of Search** D6/546-50, 518-19, D6/522-24; D8/300, 303, 315-21, 354, 363, 373, 380; 108/28-29; 211/13.1, 16, 60.1, 86.01, 87.01, 88.01, 88.04, 100, 105.1-105.2, 119.003, 123, 126.1, 133.6, 134, 181.1, 182; 248/175, 176.1, 200, 214, 251, 302, 309.1; 16/110.1, 412, 415; 242/570, 590, 595-598; 206/389, 557

(56) **References Cited**

U.S. PATENT DOCUMENTS

1,090,724 A * 3/1914 Koehler 211/87.01

D146,280 S * 1/1947 Goddard D6/574
3,990,582 A * 11/1976 Schindel 211/105.1
4,154,420 A * 5/1979 Mazie et al. 248/251
D253,503 S * 11/1979 Albert D6/527
D299,400 S * 1/1989 Fayerman et al. D6/572
D358,733 S * 5/1995 Paul D6/574
6,227,506 B1 * 5/2001 Benedict 211/90.01 X

* cited by examiner

Primary Examiner—Brian N. Vinson

(57) **CLAIM**

The ornamental design for a towel bar and shelf, as shown and described.

DESCRIPTION

FIG. 1 is a front perspective view of the towel bar and shelf showing our new design;

FIG. 2 is a top view of the towel bar and shelf of FIG. 1;

FIG. 3 is a bottom view of the towel bar and shelf of FIG. 1;

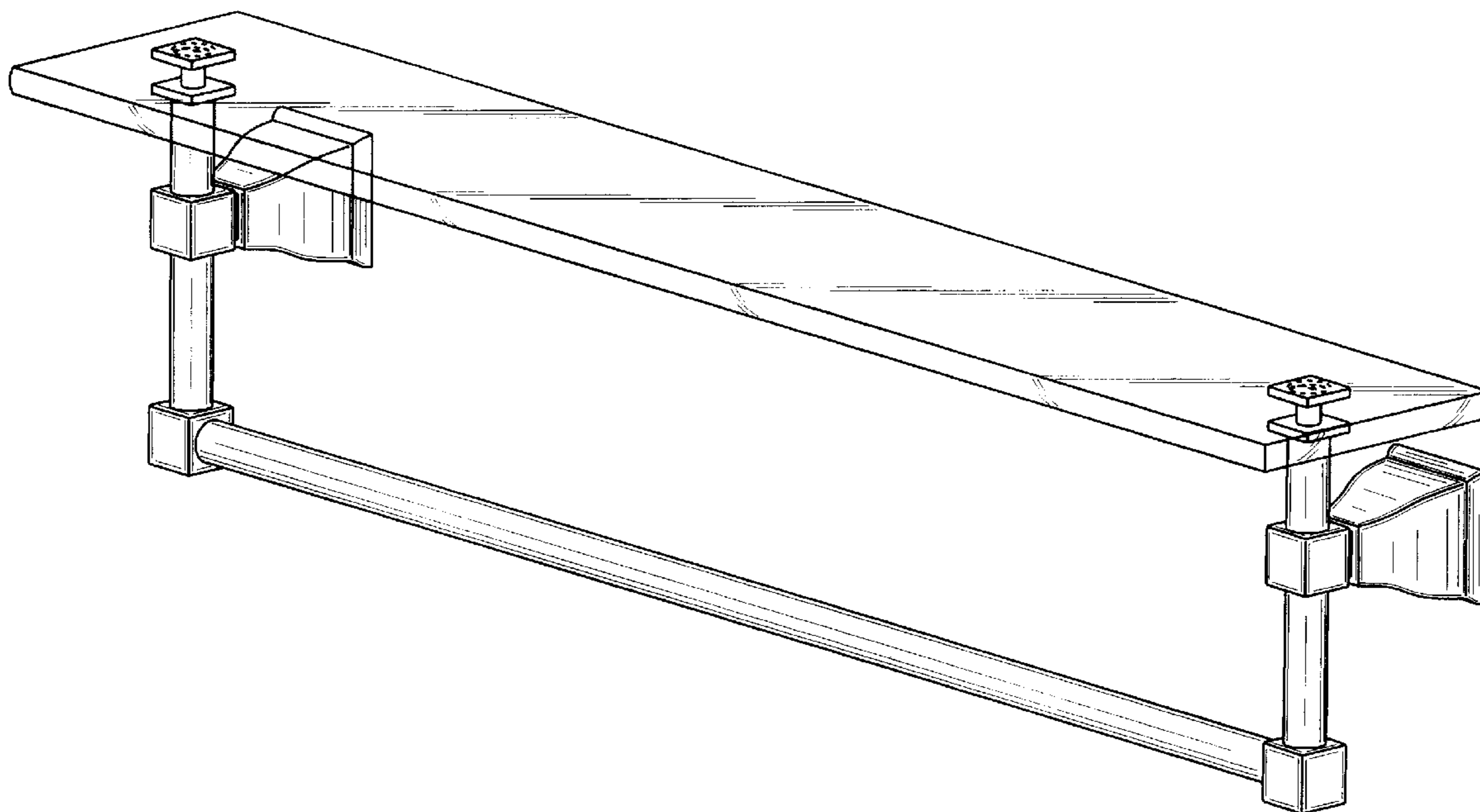
FIG. 4 is a front view of the towel bar and shelf of FIG. 1;

FIG. 5 is a back view of the towel bar and shelf of FIG. 1;

FIG. 6 is a left side view of the towel bar and shelf of FIG. 1; and,

FIG. 7 is a right side view of the towel bar and shelf of FIG. 1.

1 Claim, 4 Drawing Sheets



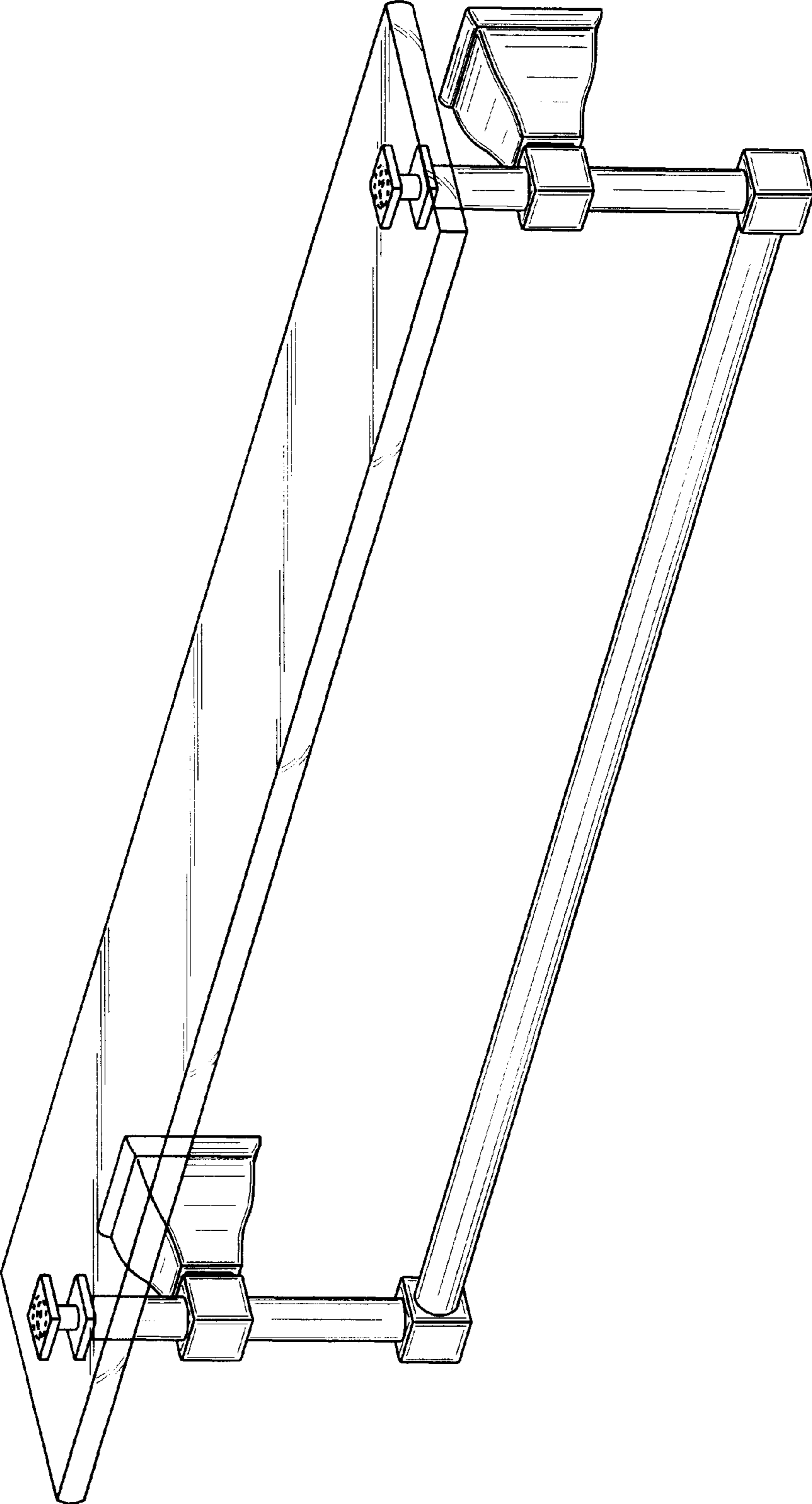


FIG. 1

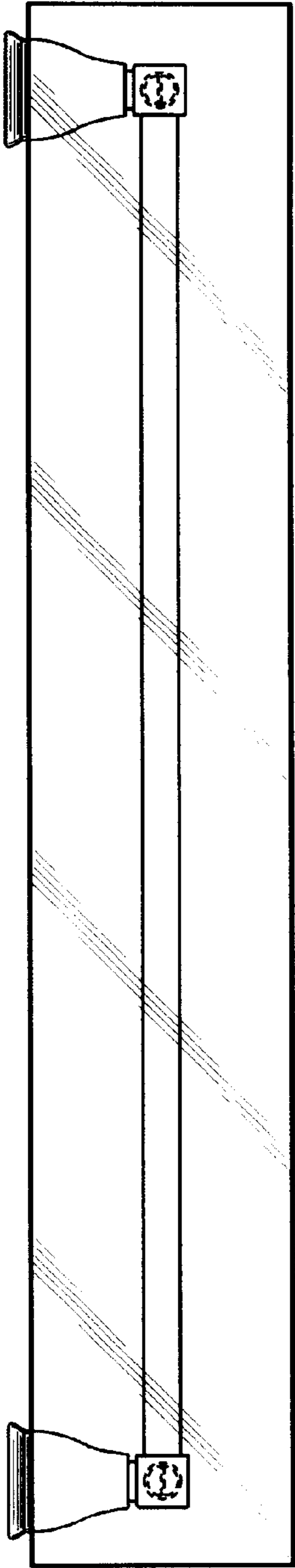


FIG. 2

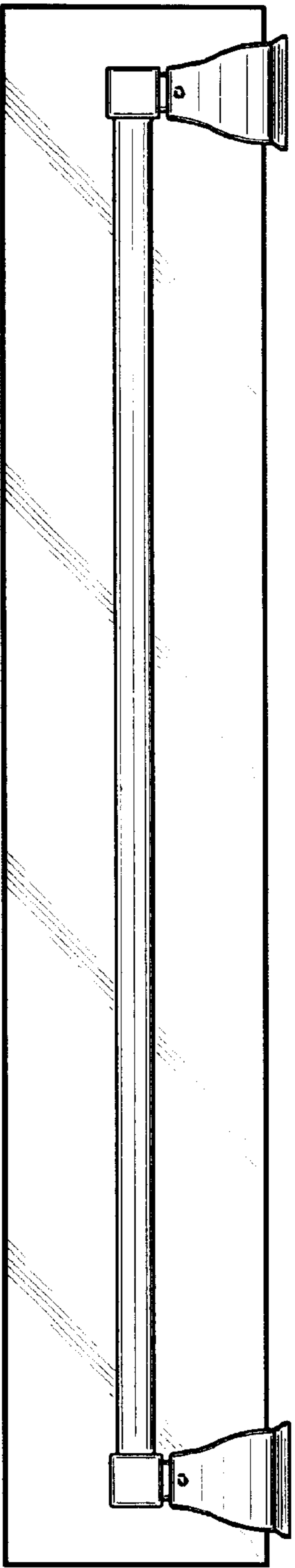


FIG. 3

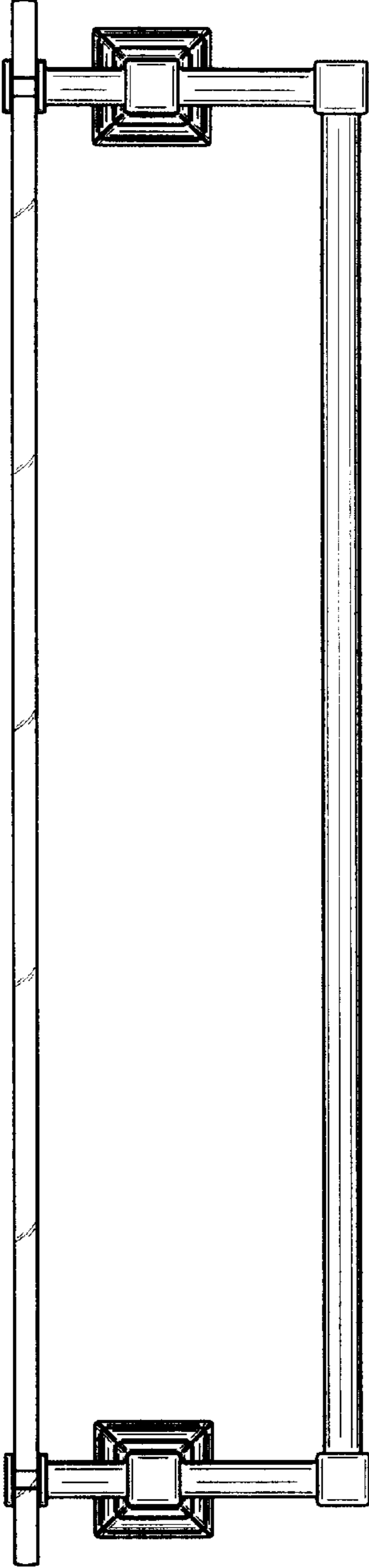


FIG. 4

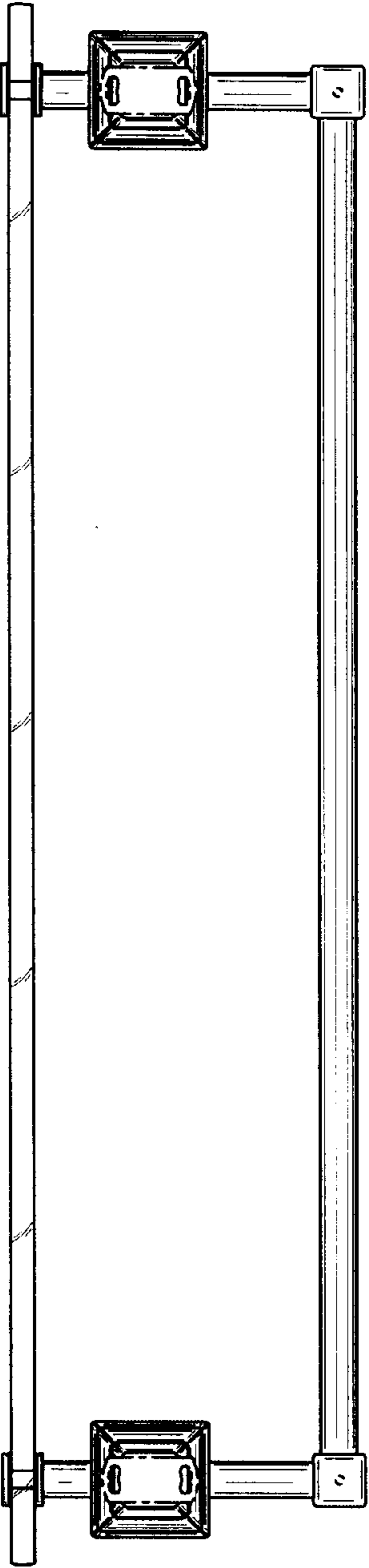


FIG. 5

FIG. 7

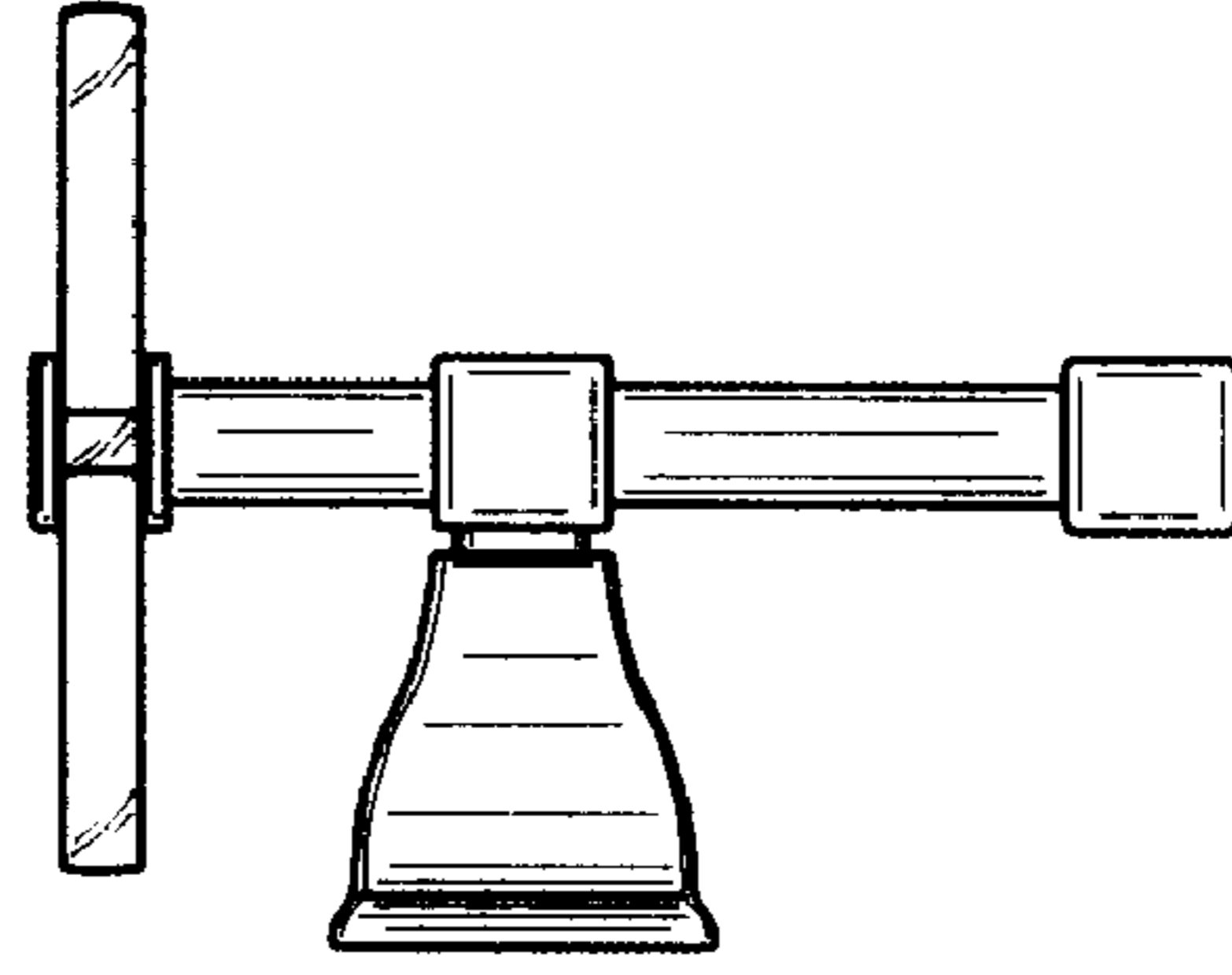


FIG. 6

