



US00D495177S1

(12) **United States Design Patent** (10) **Patent No.:** **US D495,177 S**
Wolpert et al. (45) **Date of Patent:** **** Aug. 31, 2004**

(54) **DISPENSER ROLL**

(75) Inventors: **Christopher Wolpert**, Scottsdale, AZ (US); **Gilbert Schmidt**, Cincinnati, OH (US); **David Memke**, Bainbridge Island, WA (US)

(73) Assignee: **The Dial Corporation**, Scottsdale, AZ (US)

(**) Term: **14 Years**

(21) Appl. No.: **29/189,949**

(22) Filed: **Sep. 12, 2003**

(51) **LOC (7) Cl.** **06-02**

(52) **U.S. Cl.** **D6/523**

(58) **Field of Search** D6/518-523; 242/570, 242/571, 572, 590, 596, 598, 599.1, 599.3, 600, 598.3

(56) **References Cited**

U.S. PATENT DOCUMENTS

2,522,109	A	*	9/1950	Anestis Foltis	242/599.3
D296,963	S	*	8/1988	Smallwood	D6/523
D324,618	S	*	3/1992	Morand	D6/523
5,340,047	A	*	8/1994	Heller	242/599.1
D405,305	S	*	2/1999	Hobgood	D6/523
D422,819	S	*	4/2000	Fong	D6/523
D427,828	S	*	7/2000	Senecal, Jr.	D6/523

* cited by examiner

Primary Examiner—Brian N Vinson

(74) *Attorney, Agent, or Firm*—Snell & Wilmer L.L.P.

(57) **CLAIM**

The ornamental design for a dispenser roll, as shown and described.

DESCRIPTION

FIG. 1 is a perspective view of a dispenser roll showing our new design;

FIG. 2 is a right side view of the dispenser roll of FIG. 1;

FIG. 3 is a left side view of the dispenser roll of FIG. 1;

FIG. 4 is a back view of the dispenser roll of FIG. 1;

FIG. 5 is a front view of the dispenser roll of FIG. 1;

FIG. 6 is a top view of the dispenser roll of FIG. 1;

FIG. 7 is a bottom view of the dispenser roll of FIG. 1;

FIG. 8 is a perspective view of a dispenser roll showing our new design in an alternative configuration;

FIG. 9 is a right side view of the dispenser roll of FIG. 8;

FIG. 10 is a left side view of the dispenser roll of FIG. 8;

FIG. 11 is a back view of the dispenser roll of FIG. 8;

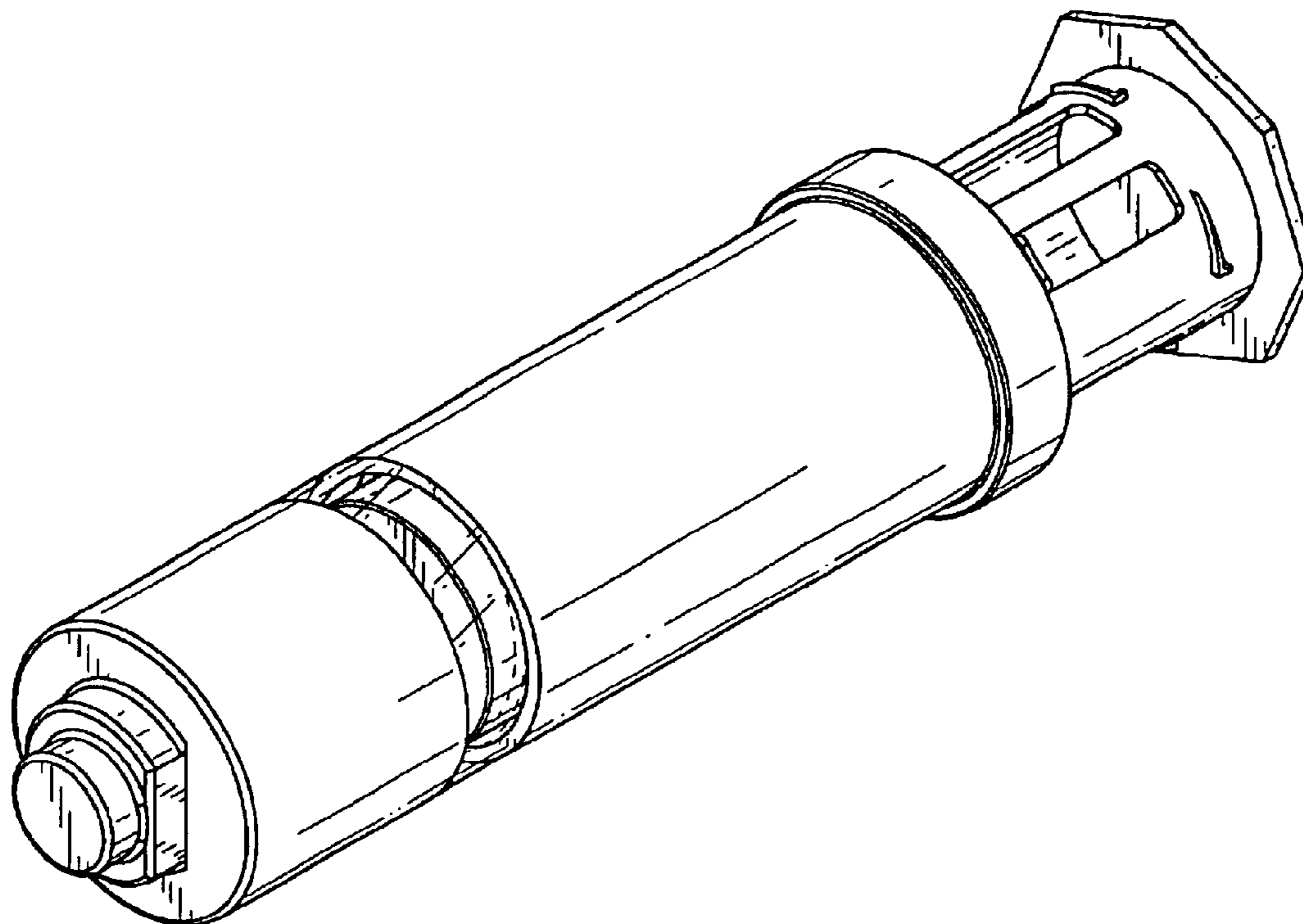
FIG. 12 is a front view of the dispenser roll of FIG. 8;

FIG. 13 is a top view of the dispenser roll of FIG. 8; and,

FIG. 14 is a bottom view of the dispenser roll of FIG. 8.

The broken-line disclosure in the views is for illustrative purposes only and forms no part of the claimed design.

1 Claim, 8 Drawing Sheets



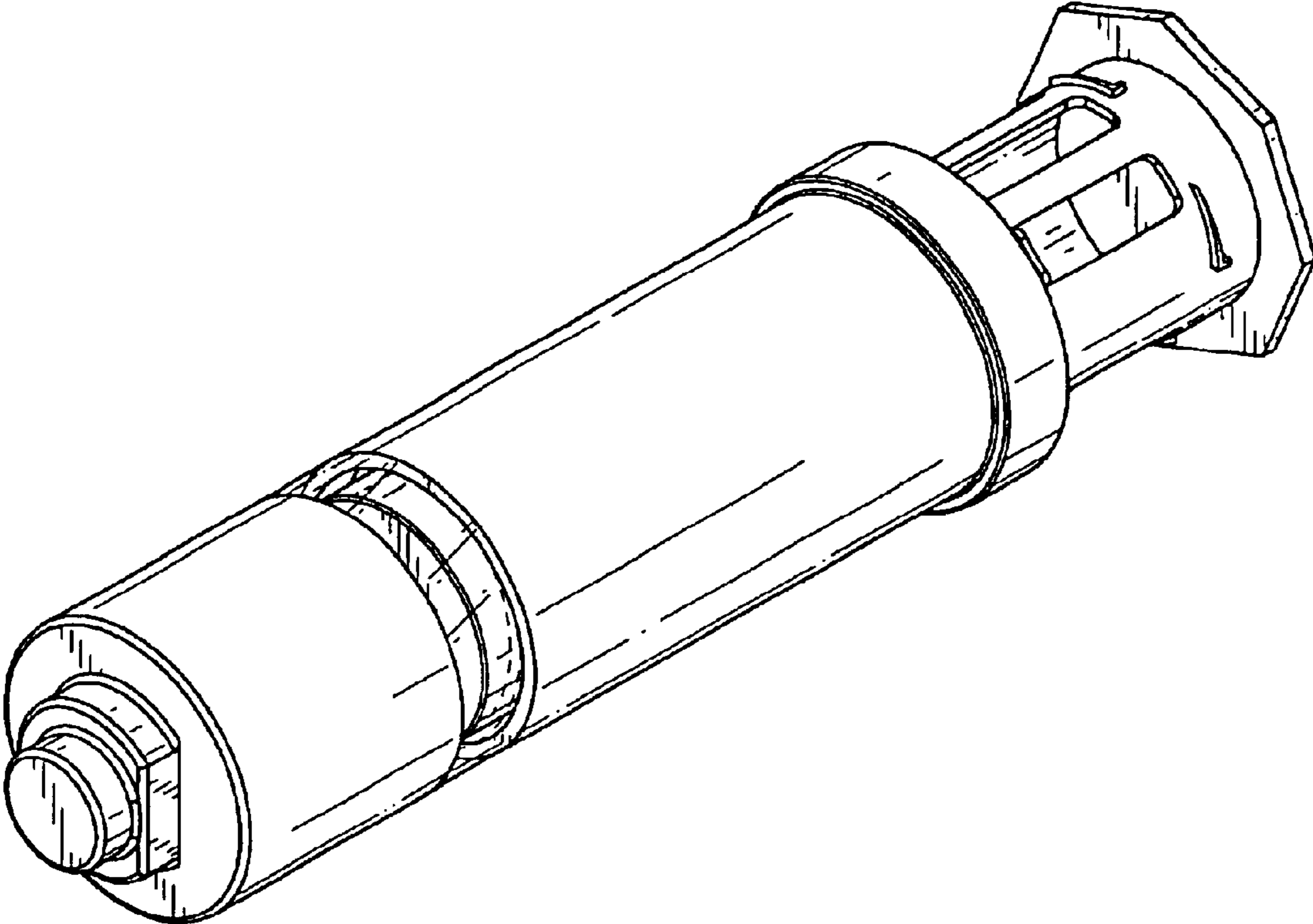


FIG. 1

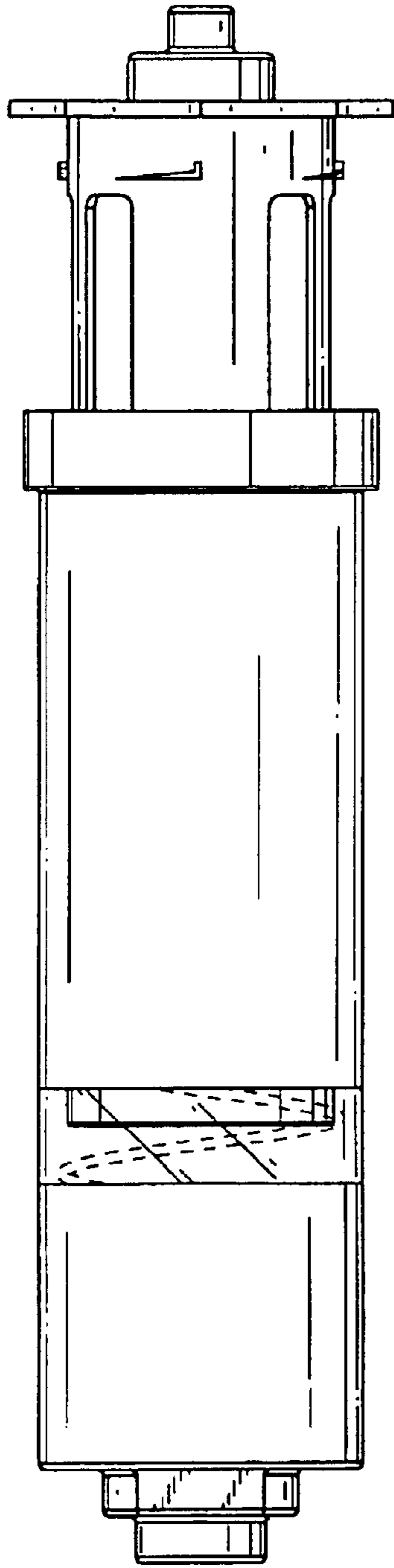


FIG. 2

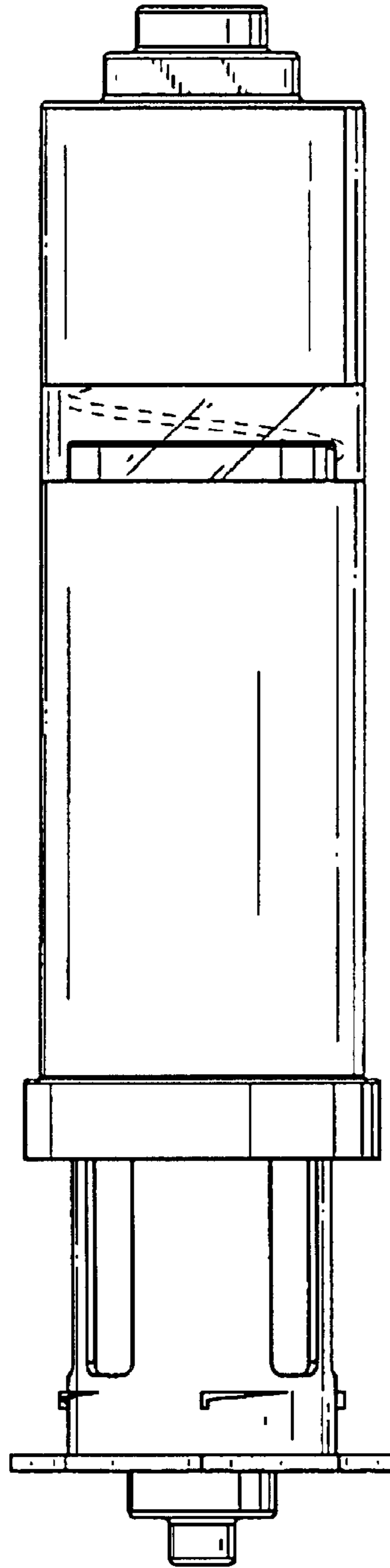


FIG. 3

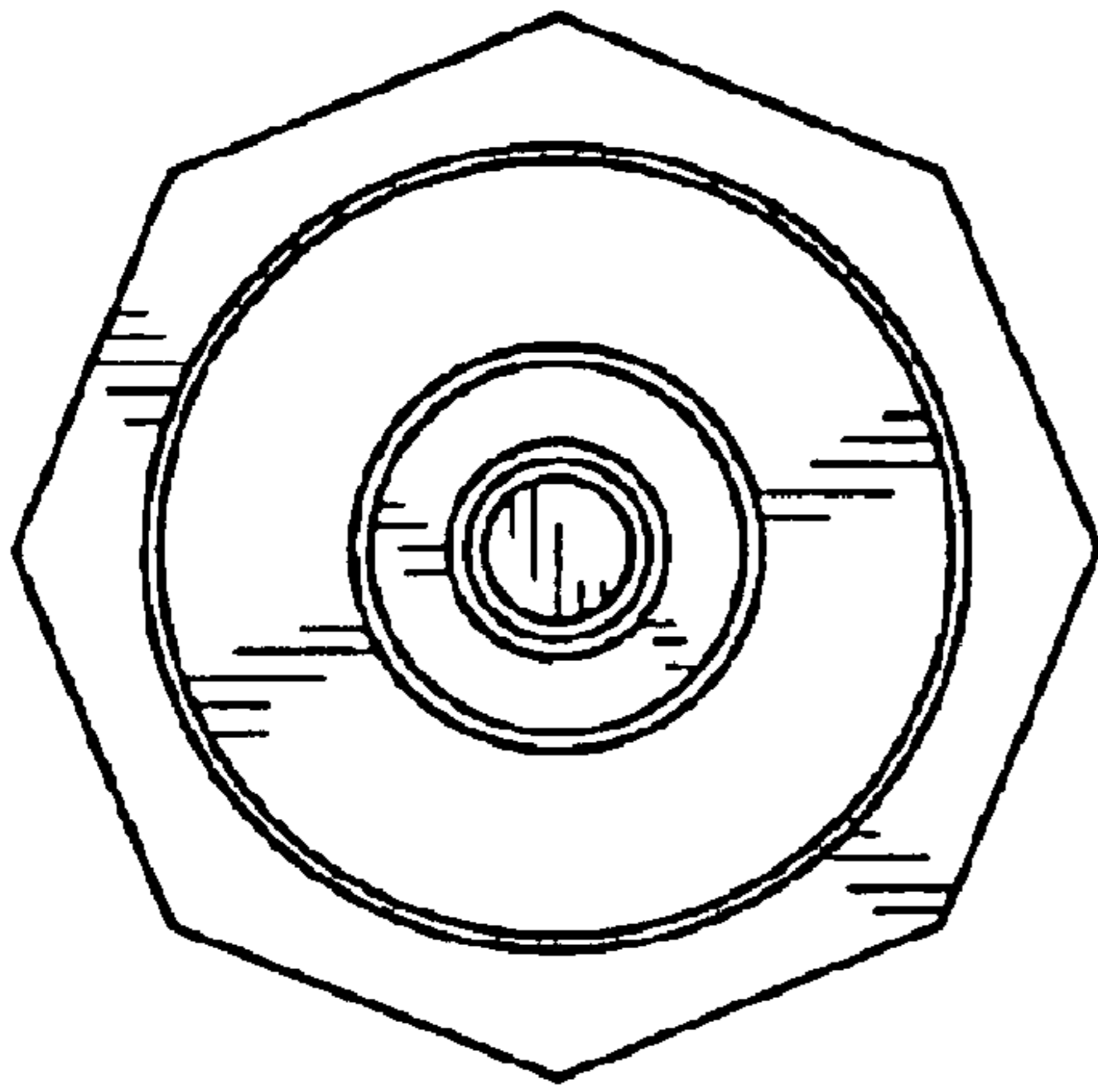


FIG. 4

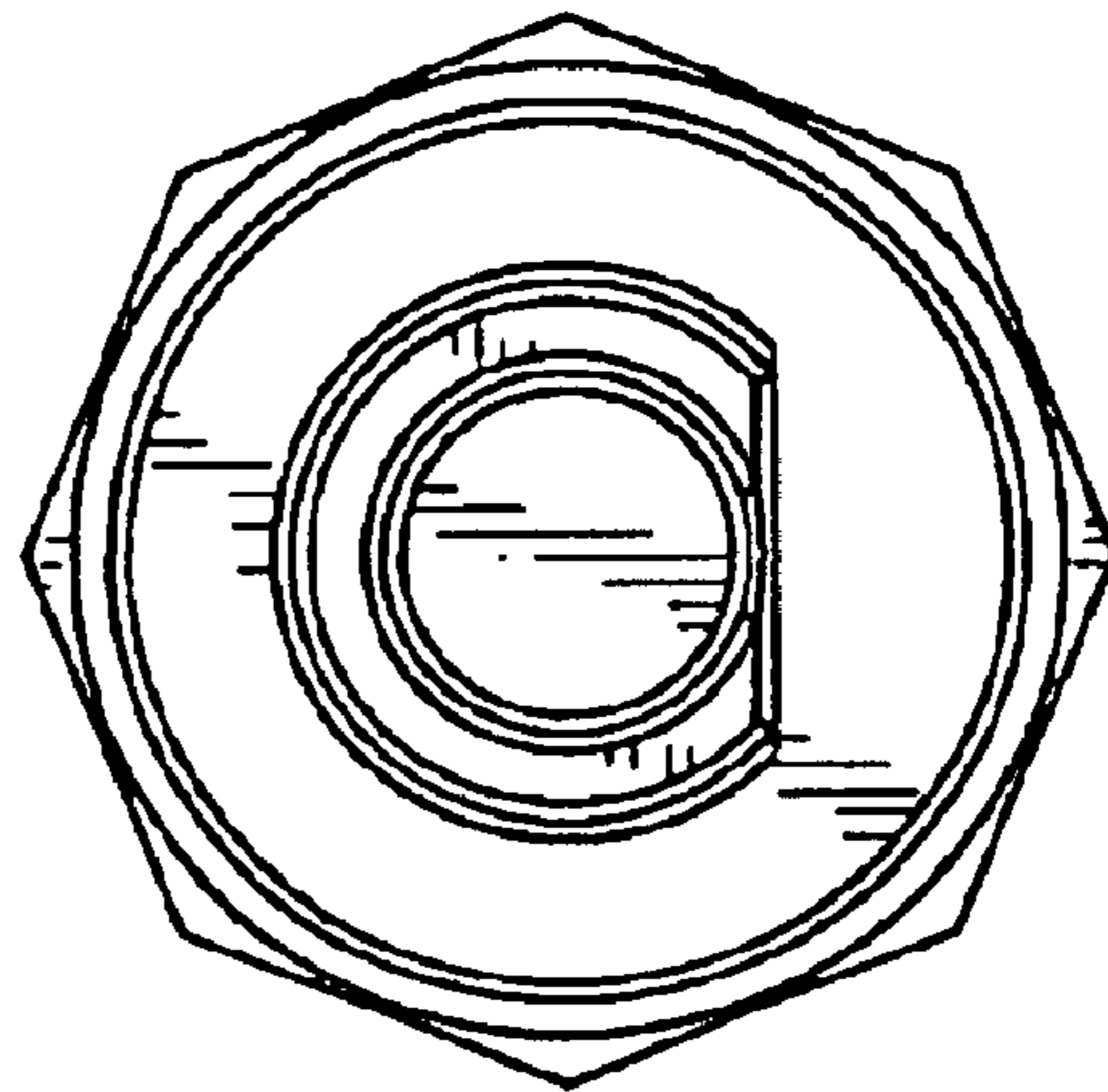


FIG. 5

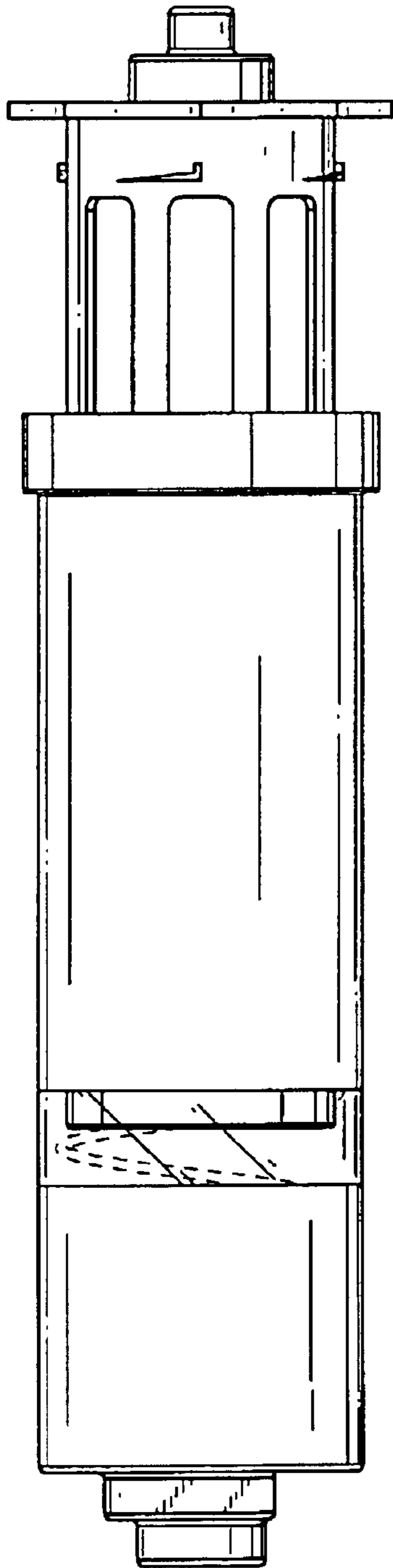


FIG. 6

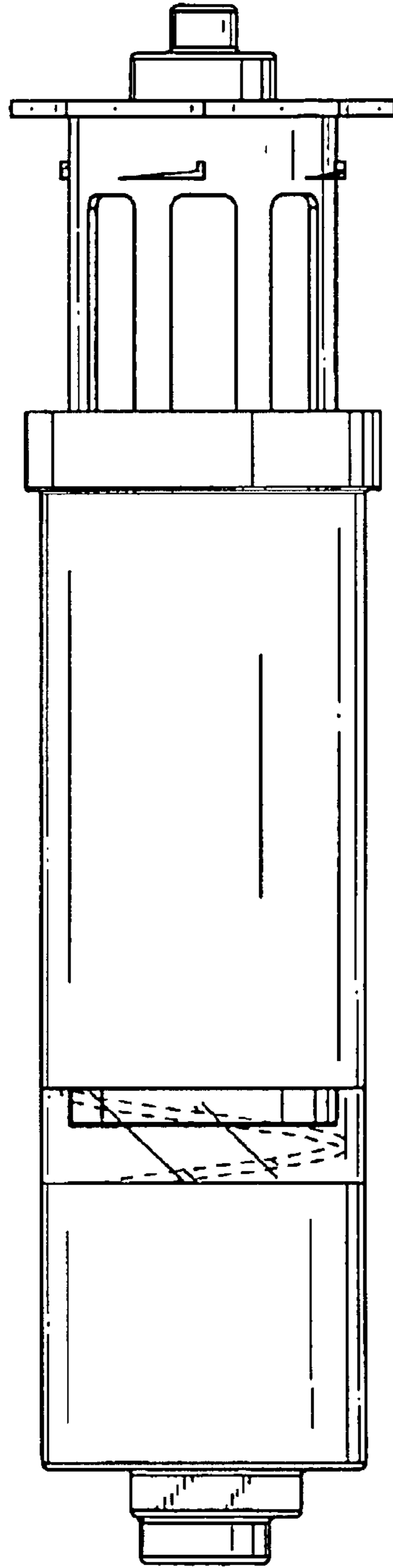


FIG. 7

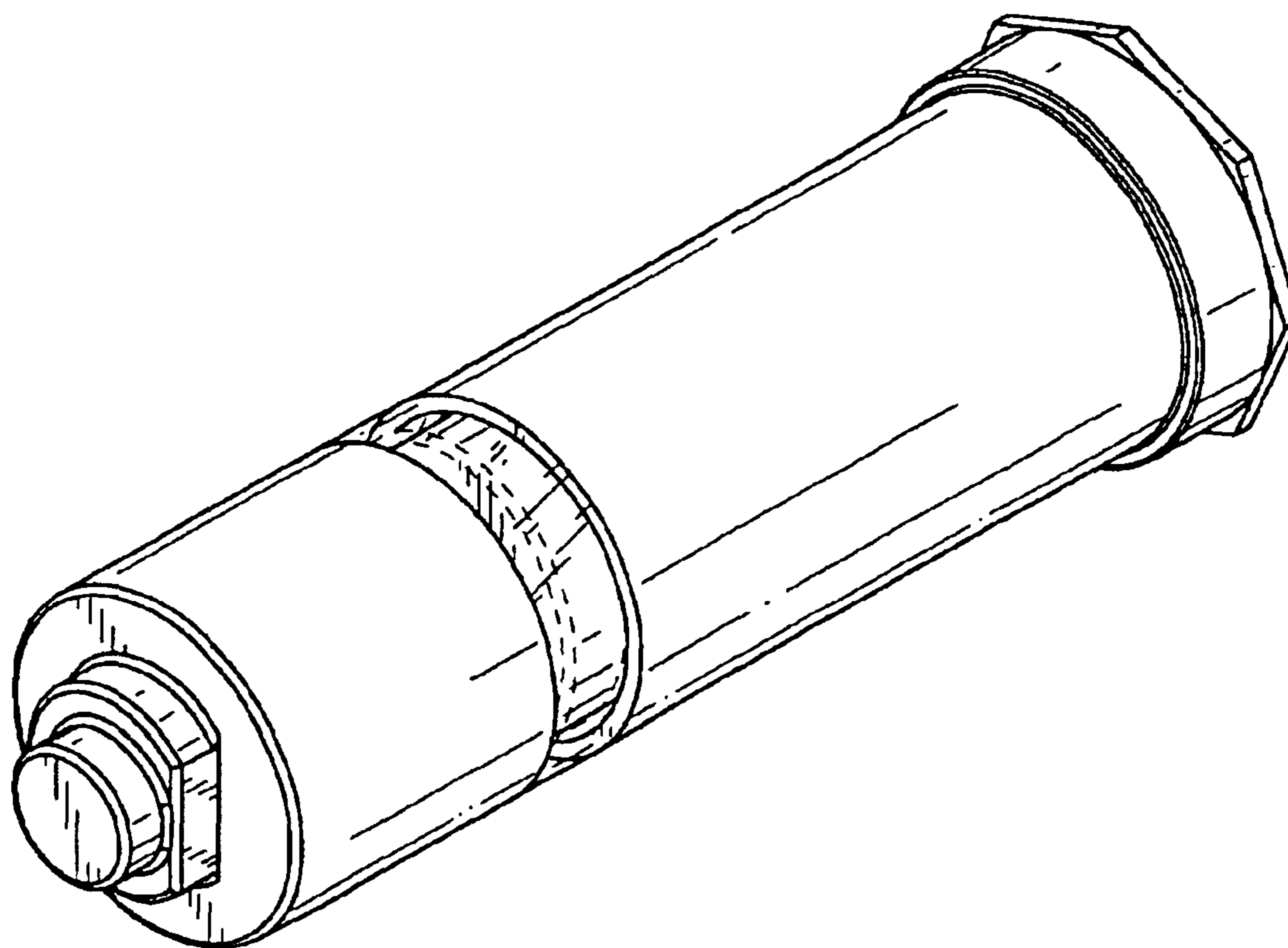


FIG. 8

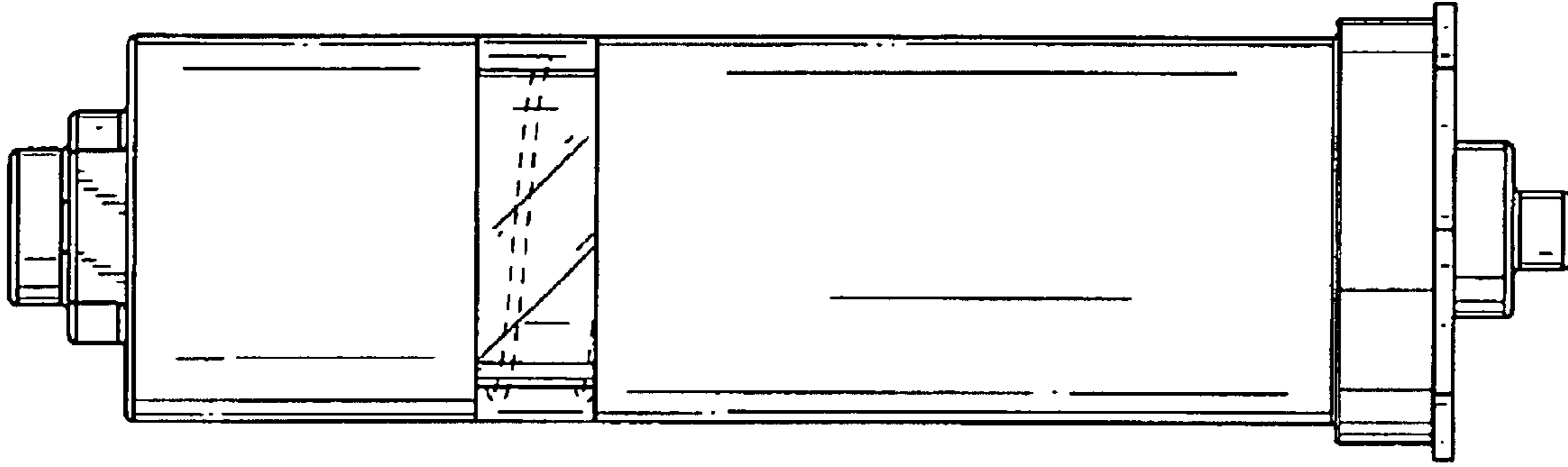


FIG. 9

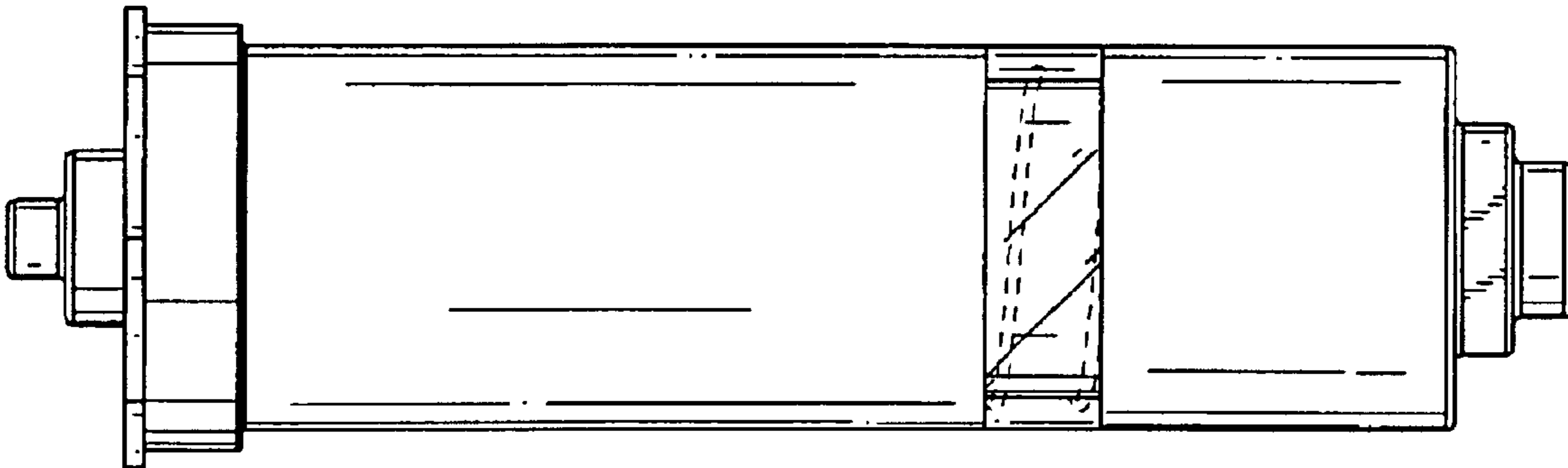


FIG. 10

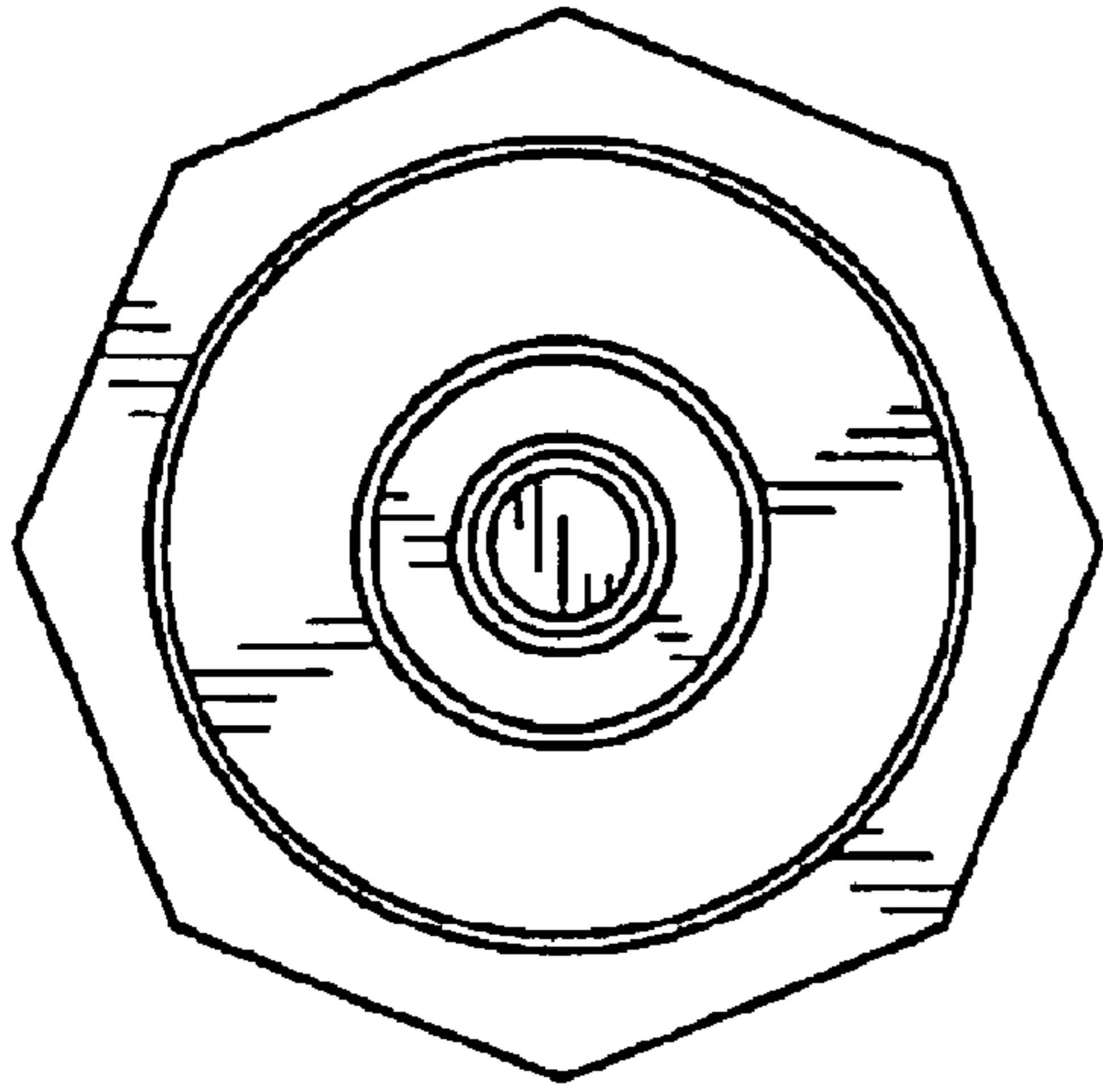


FIG. 11

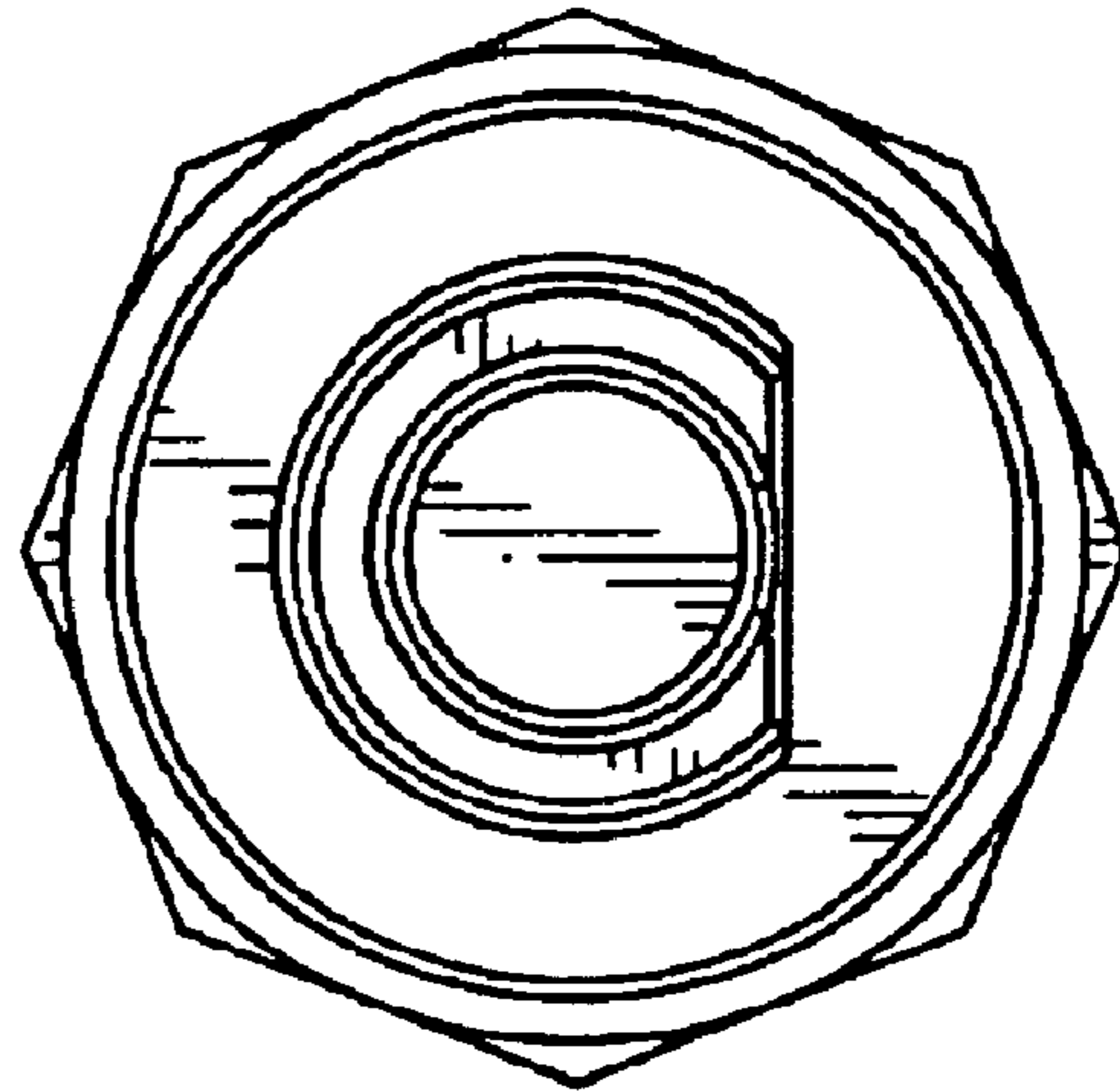


FIG. 12

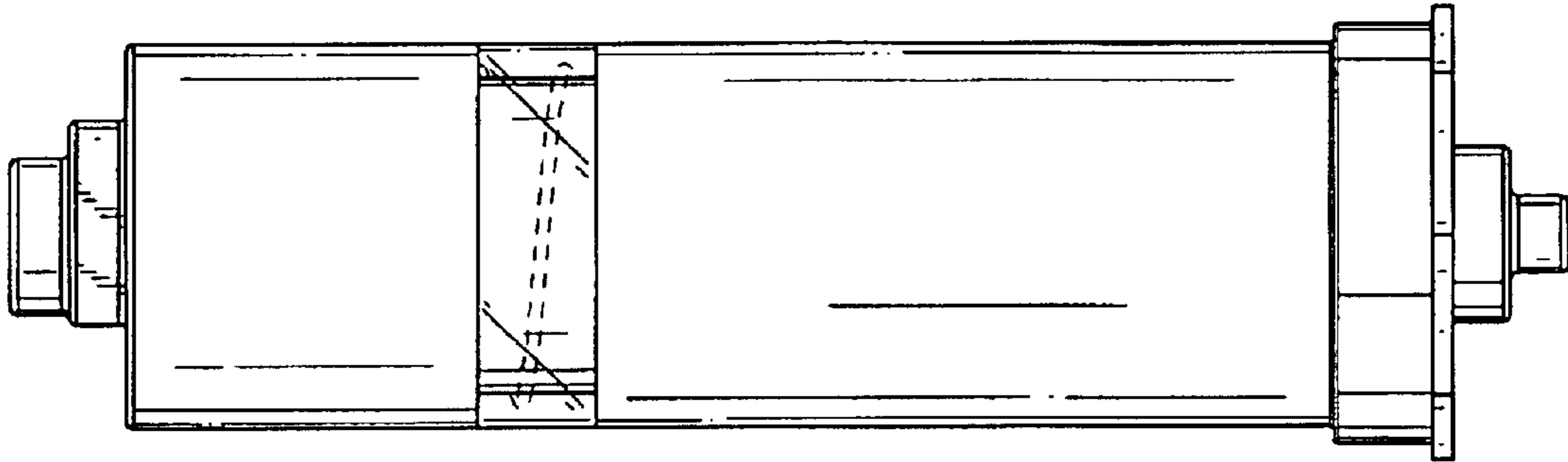


FIG. 13

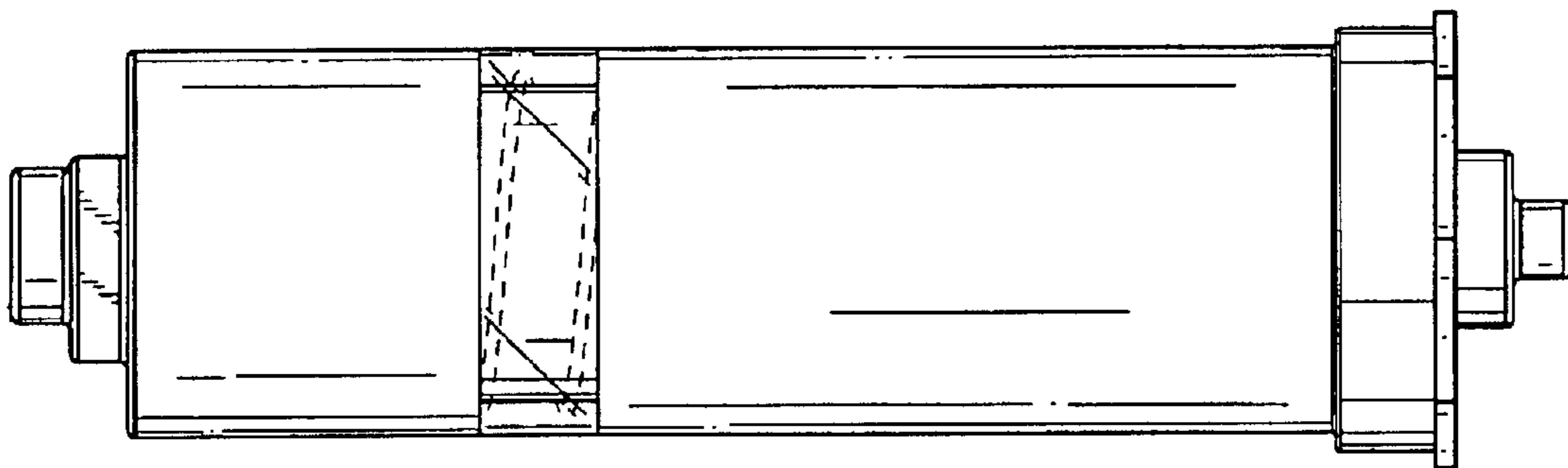


FIG. 14