

US00D495176S1

(12) **United States Design Patent**
Wolpert et al.

(10) **Patent No.:** **US D495,176 S**
(45) **Date of Patent:** **** Aug. 31, 2004**

(54) **DISPENSER ROLL**

(75) Inventors: **Christopher Wolpert**, Scottsdale, AZ
(US); **Gilbert Schmidt**, Cincinnati, OH
(US); **David Memke**, Bainbridge
Island, WA (US)

(73) Assignee: **The Dial Corporation**, Scottsdale, AZ
(US)

(**) Term: **14 Years**

(21) Appl. No.: **29/189,924**

(22) Filed: **Sep. 12, 2003**

(51) **LOC (7) Cl.** **06-02**

(52) **U.S. Cl.** **D6/523**

(58) **Field of Search** D6/518-523; 242/570,
242/571, 572, 590, 596, 598, 599.1, 599.3,
600, 598.3

(56) **References Cited**

U.S. PATENT DOCUMENTS

2,522,109 A * 9/1950 Foltis 242/599.3

D296,963 S * 8/1988 Smallwood D6/523
D324,618 S * 3/1992 Morand D6/523
5,340,047 A * 8/1994 Heller 242/599.1
D405,305 S * 2/1999 Hobgood D6/523
D422,819 S * 4/2000 Fong D6/523
D427,828 S * 7/2000 Senecal, Jr. D6/523

* cited by examiner

Primary Examiner—Brian N Vinson

(74) *Attorney, Agent, or Firm*—Snell & Wilmer L.L.P.

(57) **CLAIM**

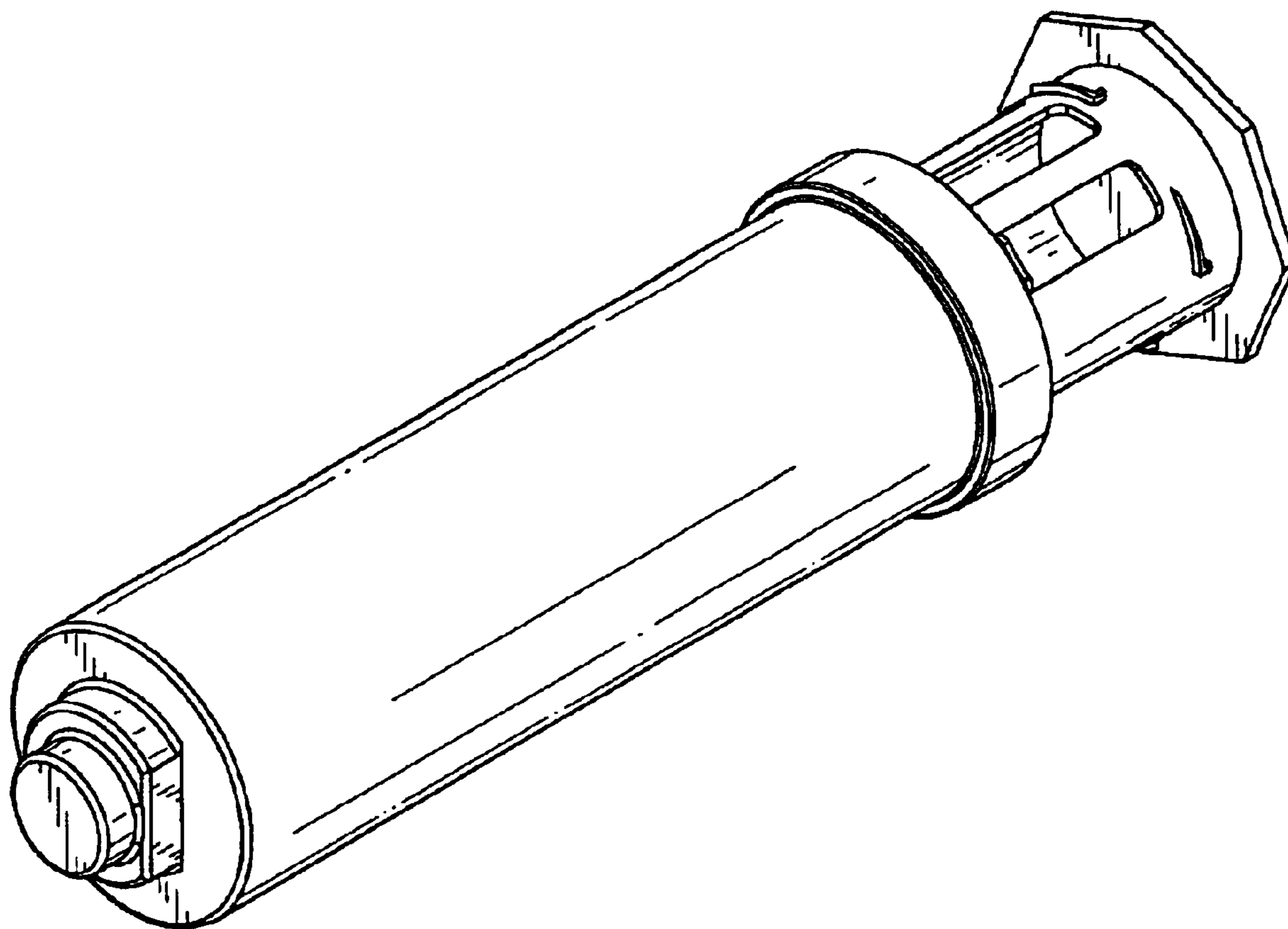
The ornamental design for a dispenser roll, as shown and described.

DESCRIPTION

FIG. 1 is a perspective view of a dispenser roll showing our new design.

The broken-line disclosure in the view is for illustrative purposes only and forms no part of the claimed design.

1 Claim, 1 Drawing Sheet



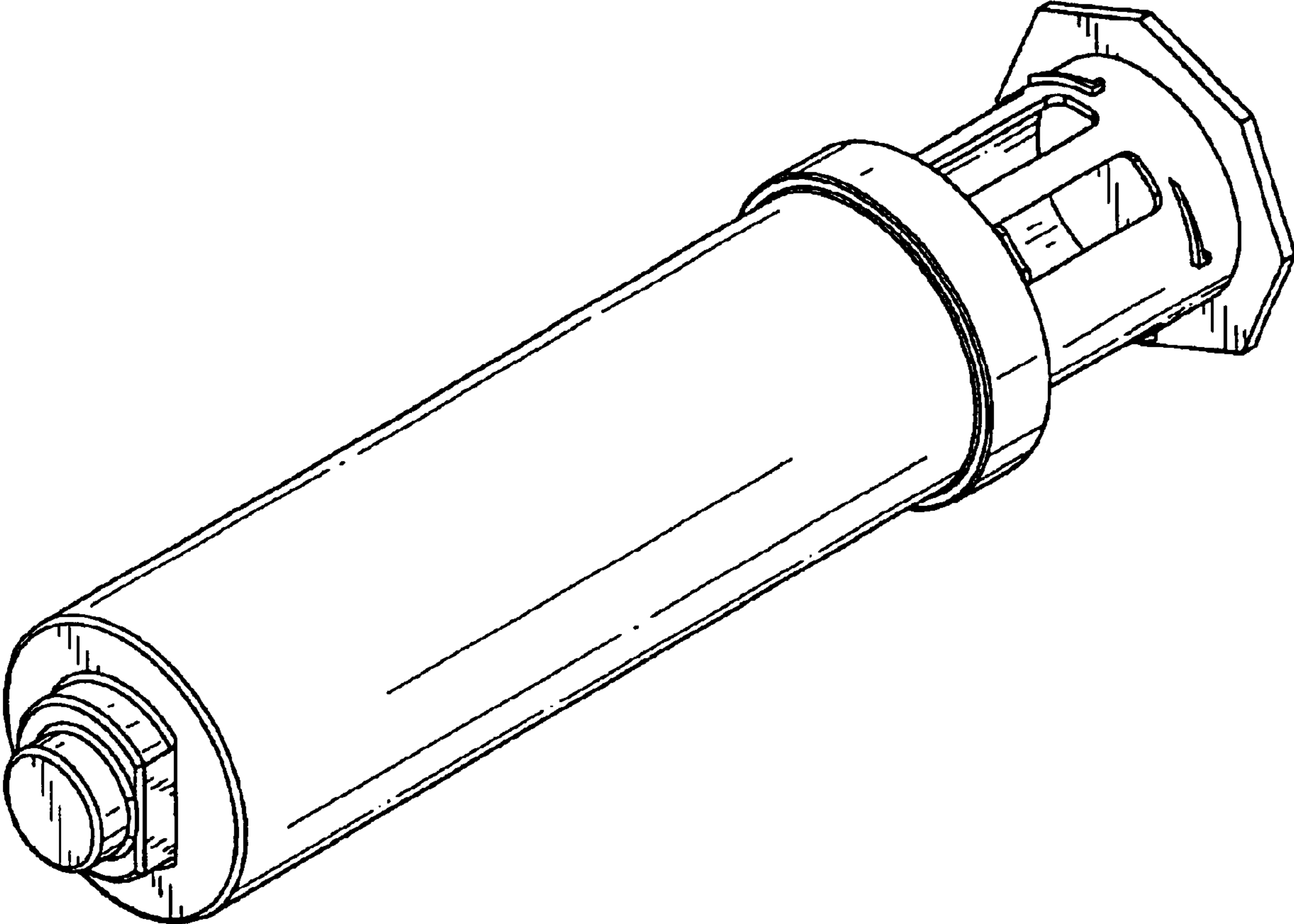


FIG. 1