

US00D495174S1

(12) **United States Design Patent**
Lenger

(10) **Patent No.: US D495,174 S**

(45) **Date of Patent: ** Aug. 31, 2004**

(54) **CLOVERLEAF TABLE TOP**

(75) Inventor: **Sidney A. Lenger**, Kernersville, NC
(US)

(73) Assignee: **American Signature, Inc.**, Columbus,
OH (US)

(**) Term: **14 Years**

(21) Appl. No.: **29/195,473**

(22) Filed: **Dec. 11, 2003**

Related U.S. Application Data

(62) Division of application No. 29/183,741, filed on Jun. 17, 2003, now Pat. No. Des. 487,206, which is a division of application No. 29/174,278, filed on Jan. 15, 2003, now Pat. No. Des. 479,418, which is a division of application No. 29/161,873, filed on Jun. 5, 2002, now Pat. No. Des. 476,174.

(51) **LOC (7) Cl.** **06-06**

(52) **U.S. Cl.** **D6/511**

(58) **Field of Search** D6/480-489, 511,
D6/477, 479, 460, 461, 441, 436, 437;
108/153.1, 155, 156, 157, 161; 248/188,
188.1, 188.8

(56) **References Cited**

U.S. PATENT DOCUMENTS

D254,822 S 4/1980 Crespi D6/460

D268,715 S 4/1983 Curry D6/486
D331,673 S 12/1992 Faber D6/441
D461,656 S 8/2002 Stanton D6/488
D469,991 S 2/2003 Stanton D6/486
D476,174 S 6/2003 Lenger D6/484
D479,418 S 9/2003 Lenger D6/511
D487,206 S * 3/2004 Lenger D6/511

* cited by examiner

Primary Examiner—Janice Seeger

(74) *Attorney, Agent, or Firm*—Wood, Herron & Evans,
L.L.P.

(57) **CLAIM**

The ornamental design for a cloverleaf table top, as shown and described.

DESCRIPTION

FIG. 1 is a perspective view of a cloverleaf table top incorporating my new design;

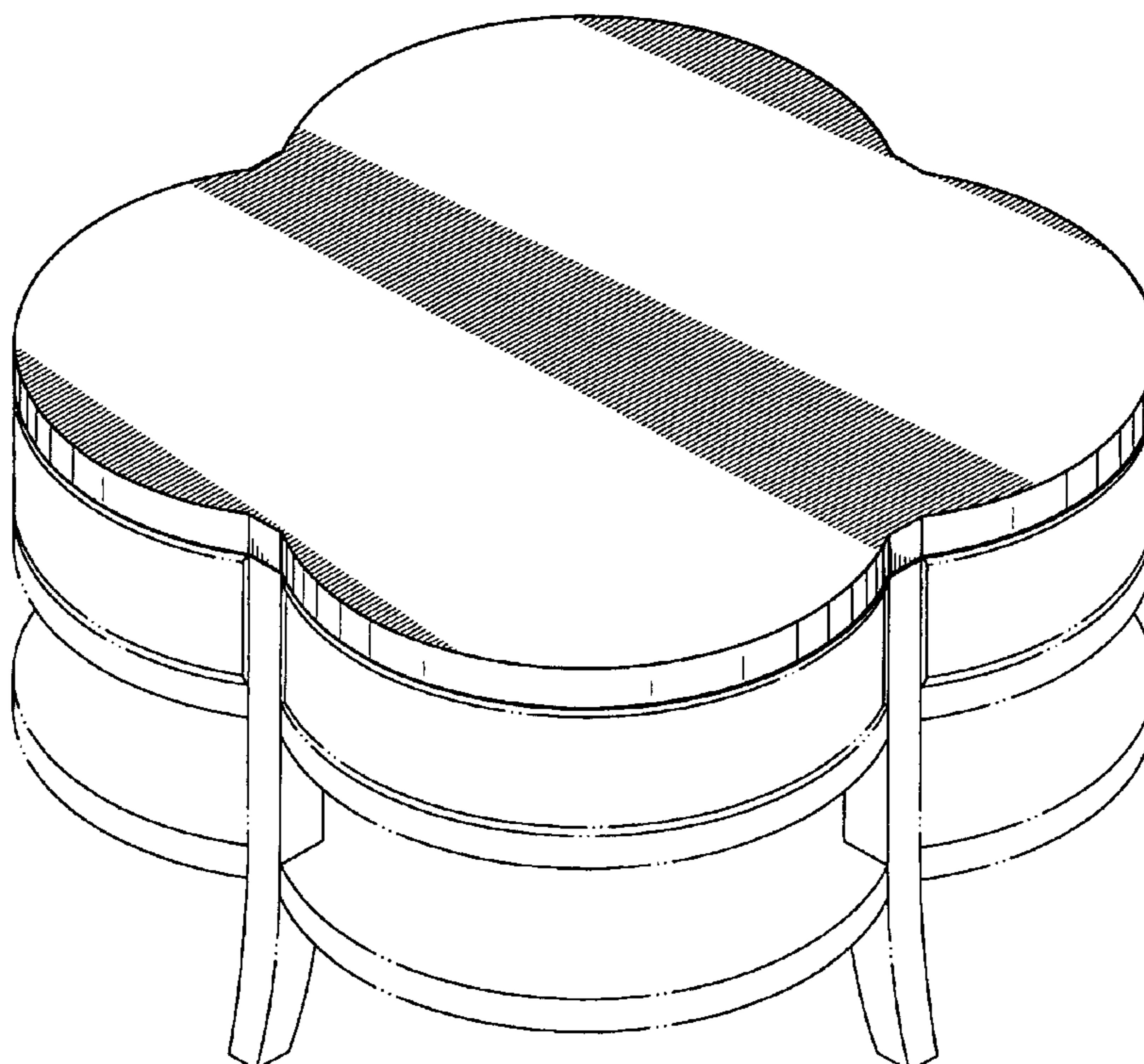
FIG. 2 is a top plan view thereof;

FIG. 3 is a front elevational view thereof, the right-side, left-side and rear elevational views thereof being identical to FIG. 3; and,

FIG. 4 is a bottom plan view thereof.

The broken lines shown in the figures are for illustrative purposes only and form no part of the claimed cloverleaf table top design.

1 Claim, 3 Drawing Sheets



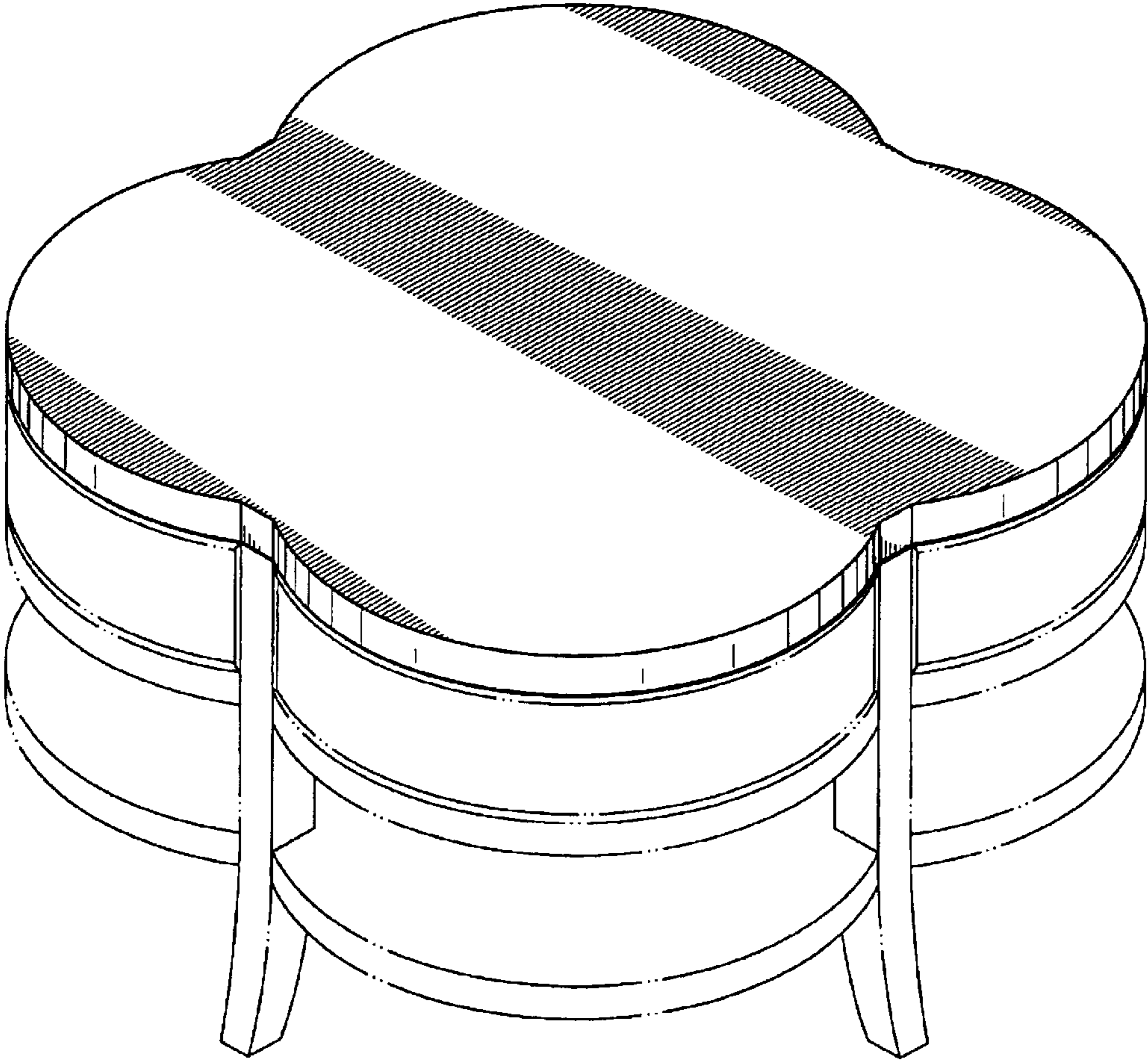


FIG. 1

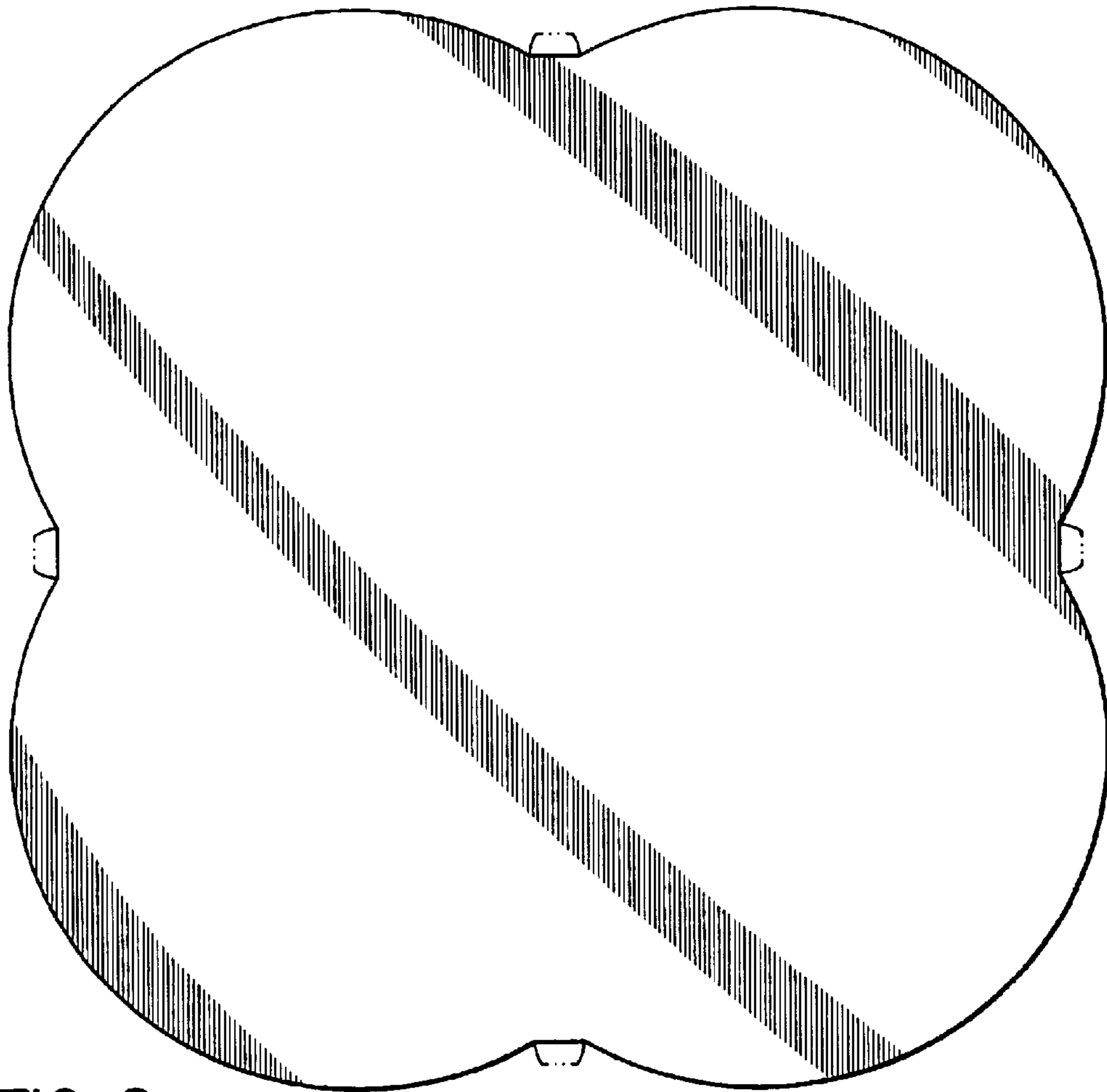


FIG. 2

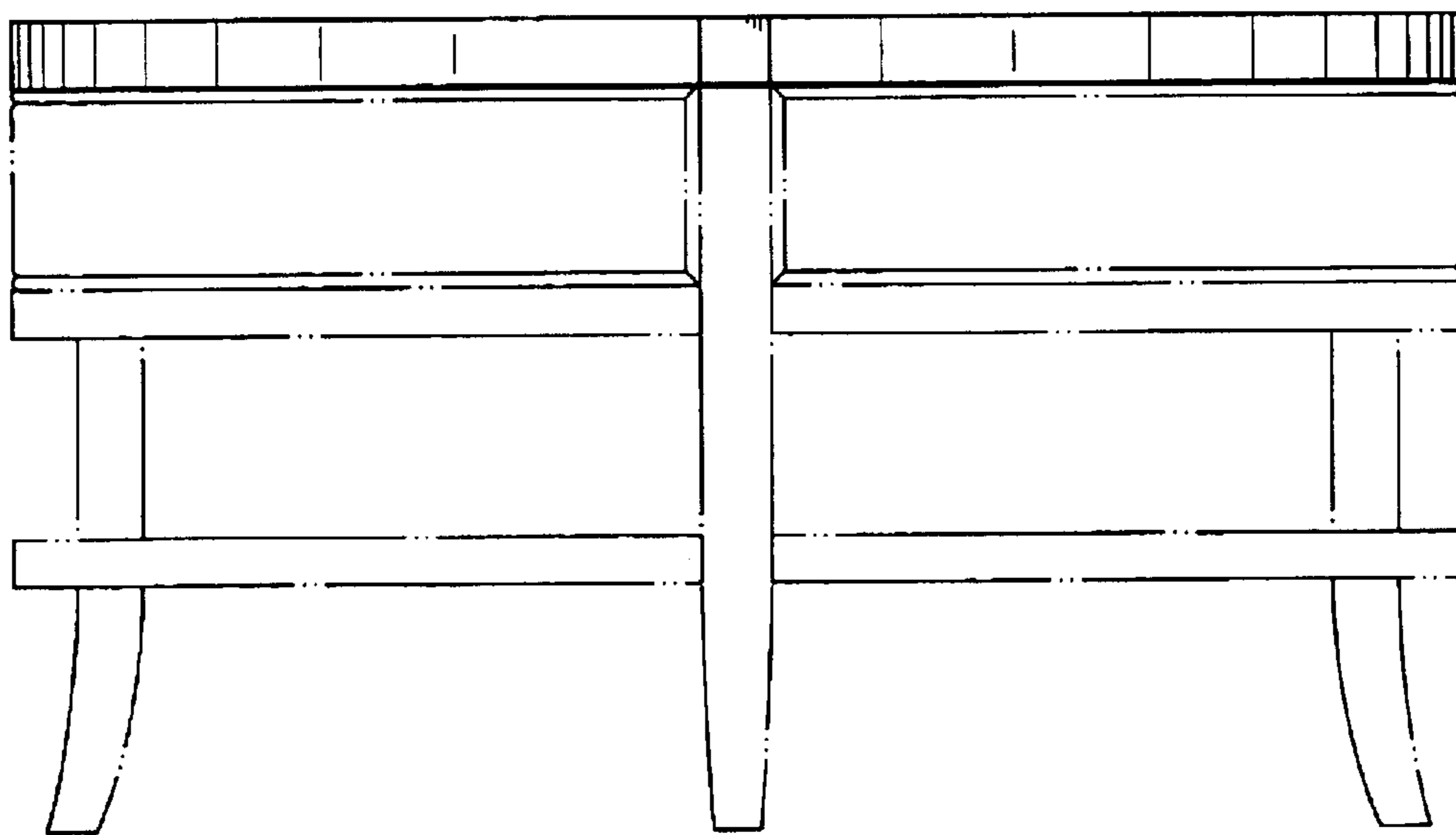


FIG. 3

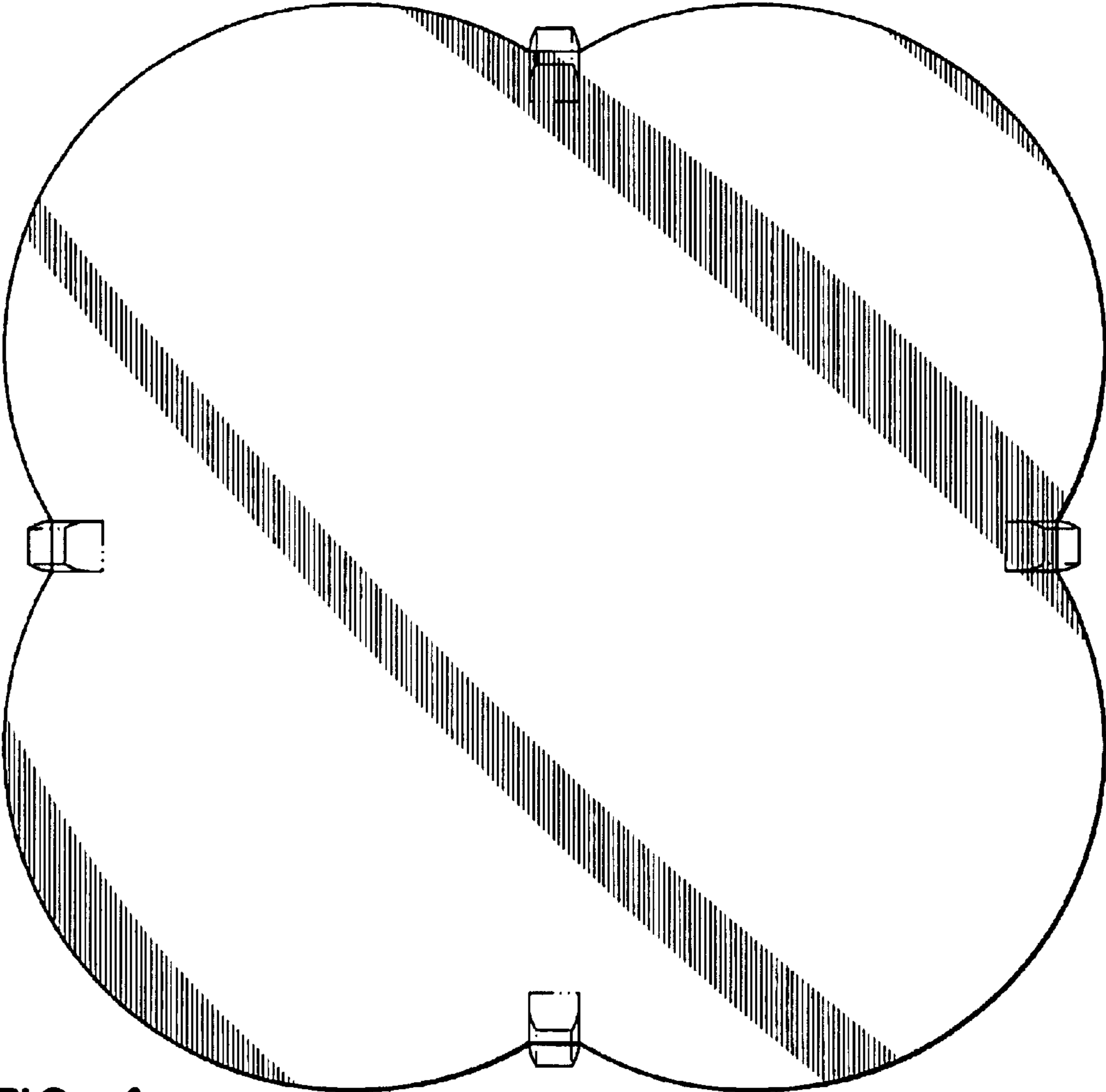


FIG. 4