

US00D495173S1

(12) **United States Design Patent** (10) **Patent No.:** **US D495,173 S**
Heisey et al. (45) **Date of Patent:** **** Aug. 31, 2004**

(54) **TABLE TOP**

(75) Inventors: **Nathan W. Heisey**, Columbus, IN (US); **Gary R. Lemmeyer**, Brecksville, OH (US)

(73) Assignee: **Cosco Management, Inc.**, Wilmington, DE (US)

(**) **Term:** **14 Years**

(21) Appl. No.: **29/185,936**

(22) Filed: **Jul. 7, 2003**

(51) **LOC (7) Cl.** **06-06**

(52) **U.S. Cl.** **D6/511**

(58) **Field of Search** D6/480-489, 495, D6/497, 450, 451, 511, 422; 108/150, 153.1, 158, 155, 156, 157.1, 161, 27; 312/140.1, 140.2, 140.3

(56) **References Cited**

U.S. PATENT DOCUMENTS

448,380 A	3/1891	Spangler
1,136,129 A	4/1915	Haskell
1,675,355 A	7/1928	King
1,809,564 A	6/1931	O'Connor et al.
1,833,728 A	11/1931	Townsend et al.
1,858,534 A	5/1932	Wood
1,879,945 A	9/1932	O'Connor
1,905,219 A	4/1933	Crichton
1,905,862 A	4/1933	Harman
1,979,568 A	11/1934	O'Connor et al.
RE20,949 E	12/1938	O'Connor
2,625,454 A	1/1953	Brown
2,660,498 A	11/1953	Norquist
2,665,961 A	1/1954	Anderson
3,037,831 A	6/1962	Craddock et al.
3,491,706 A	1/1970	Glass
3,545,738 A	12/1970	Stagg
3,744,436 A	7/1973	Castelli et al.
4,054,096 A	10/1977	Wilson et al.

4,144,822 A	3/1979	Roberts et al.
4,442,779 A	4/1984	Basten et al.
4,503,780 A *	3/1985	Apissomian 108/27
4,838,440 A	6/1989	Thompson
D325,833 S *	5/1992	Saotome D6/484
5,109,778 A	5/1992	Berkowitz et al.
D394,766 S *	6/1998	Brandt D6/480
5,941,181 A	8/1999	Hornberger et al.
5,983,807 A	11/1999	Tarnay et al.
6,168,227 B1	1/2001	Lofting
6,173,660 B1	1/2001	Emmert
6,182,578 B1	2/2001	Fanuzzi
6,202,571 B1	3/2001	Pallares
D468,135 S *	1/2003	Ashby et al. D6/491
D487,205 S *	3/2004	Mower et al. D6/491

OTHER PUBLICATIONS

Kittinger Sep. 1, 1974, p. Te-4, reeded edge at top right.*

* cited by examiner

Primary Examiner—Janice E. Seeger

(74) *Attorney, Agent, or Firm*—Barnes & Thornburg LLP

(57) **CLAIM**

The ornamental design for a table top, as shown and described.

DESCRIPTION

FIG. 1 is a perspective view of a table top in accordance with our new design, with portions of a table forming the environment of the table top and being illustrated in broken lines, which broken lines are for illustrative purposes only and form no part of the claimed design;

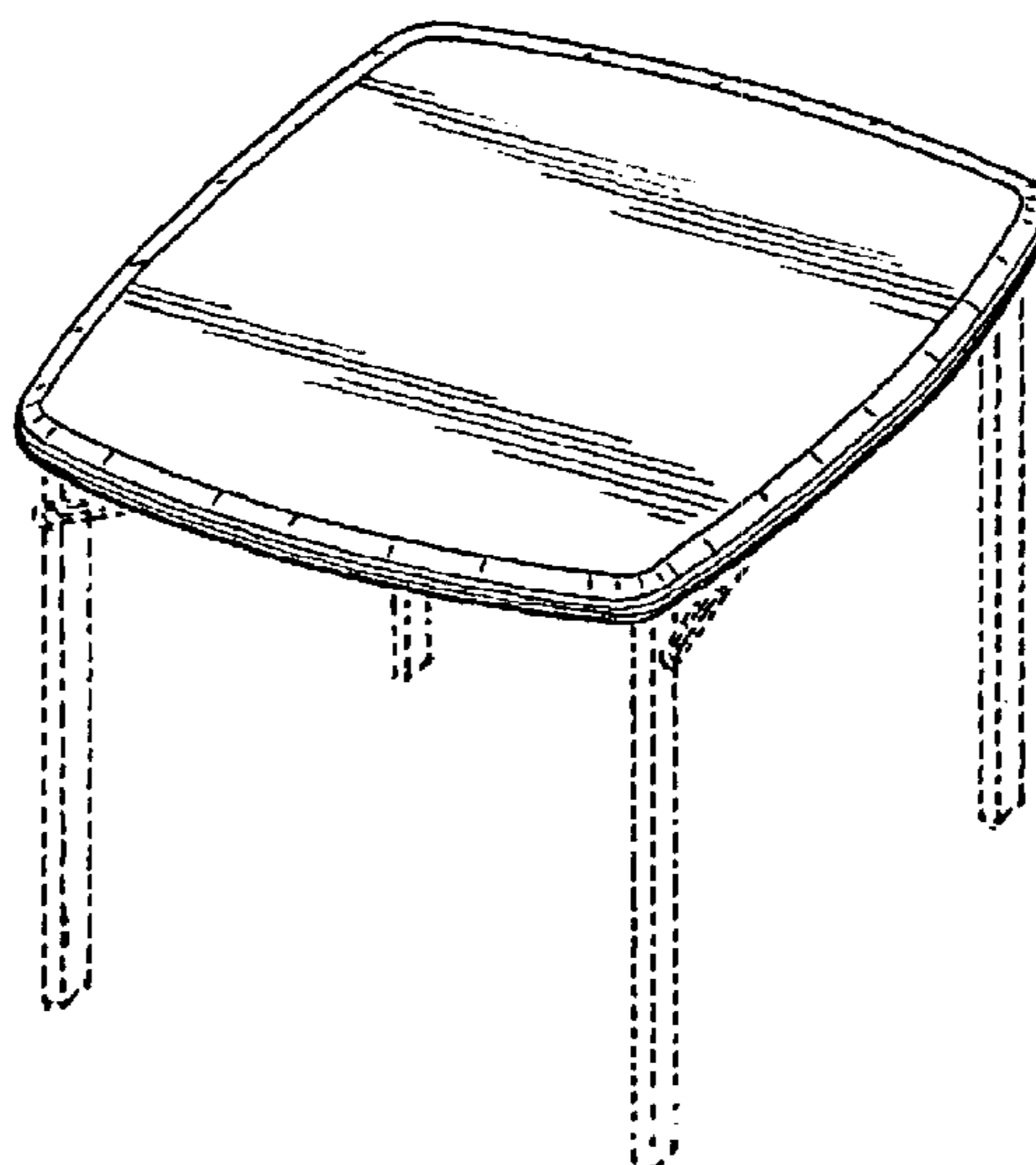
FIG. 2 is a front elevational view of the table top shown in FIG. 1, the rear, left-side, and right-side elevational views of the table top being the same as the front elevational view;

FIG. 3 is a top plan view thereof;

FIG. 4 is a bottom view thereof; and,

FIG. 5 is an enlarged elevation view of a corner portion of the table top shown in FIG. 2.

1 Claim, 2 Drawing Sheets



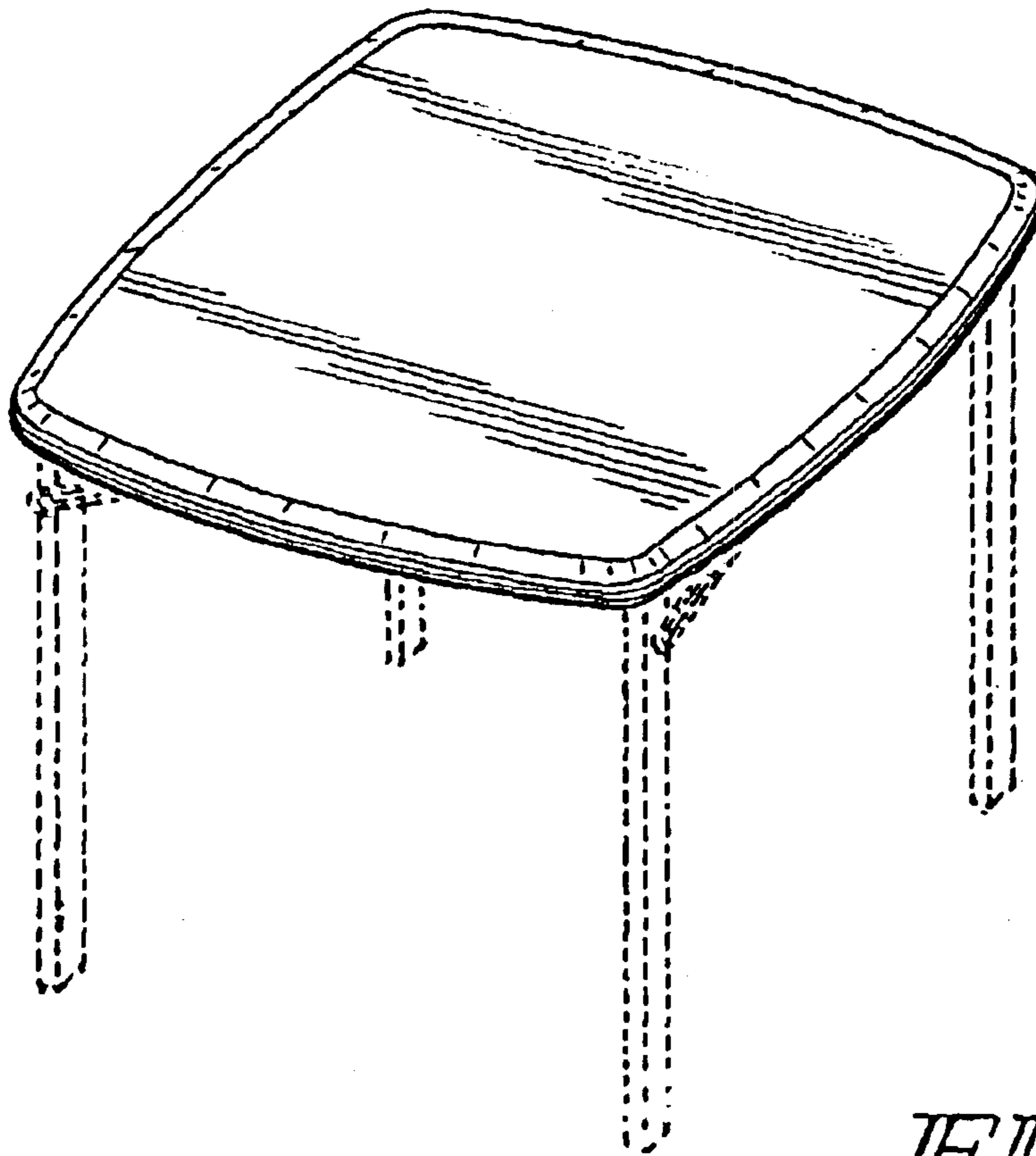


FIG. 1

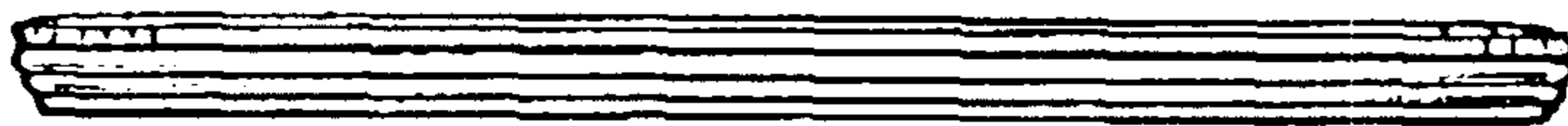


FIG. 2

FIG. 3

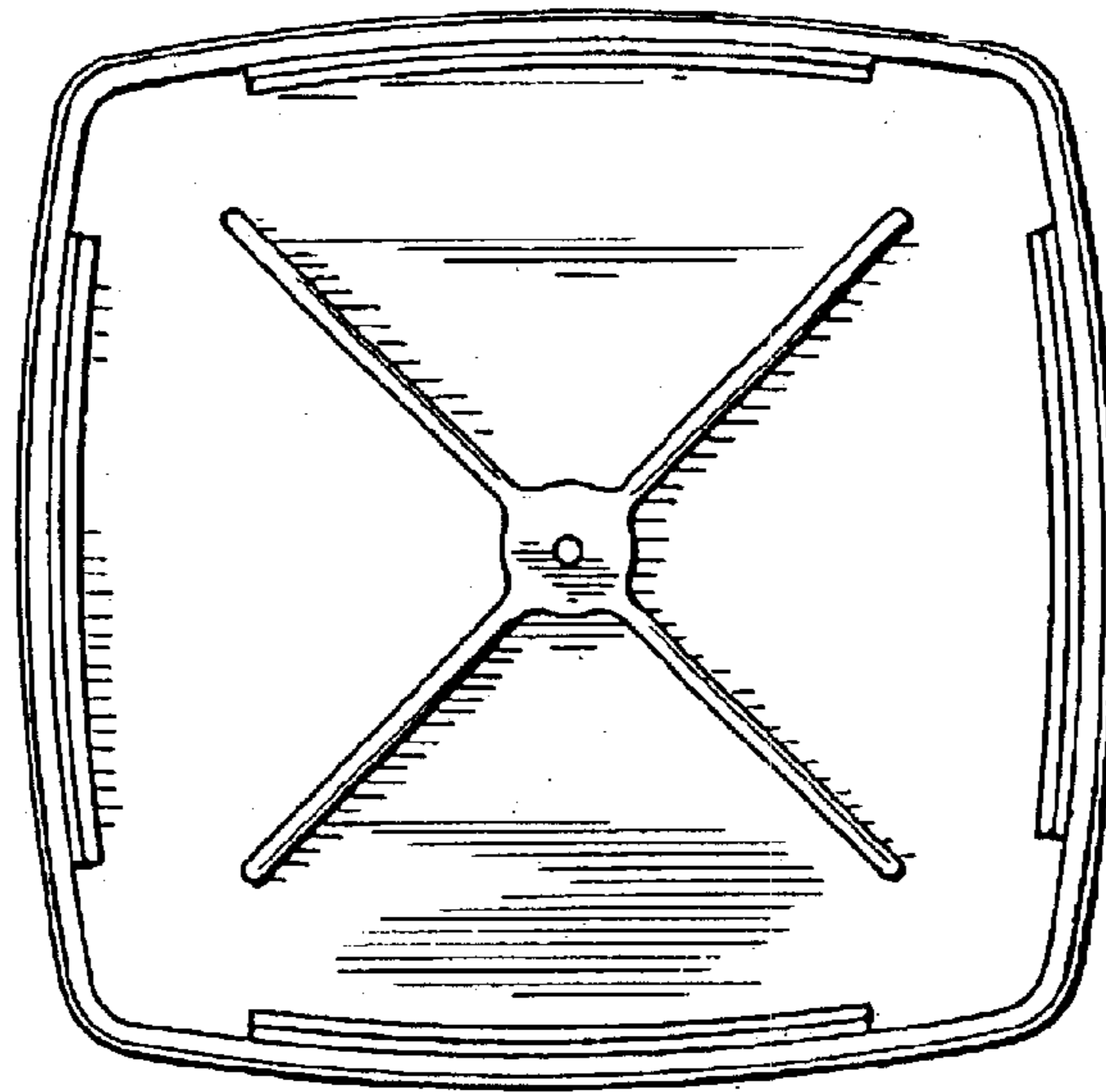
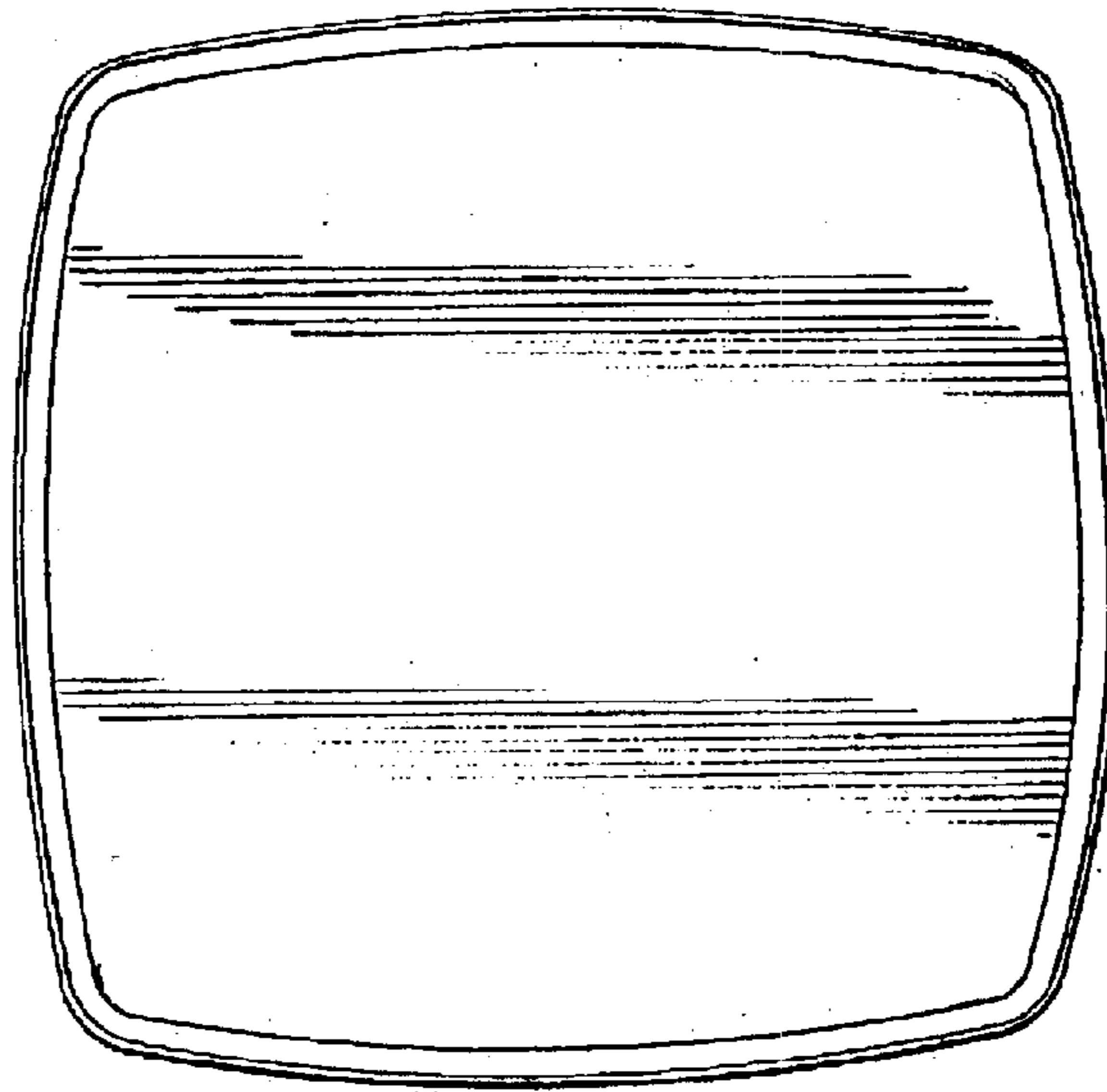


FIG. 4

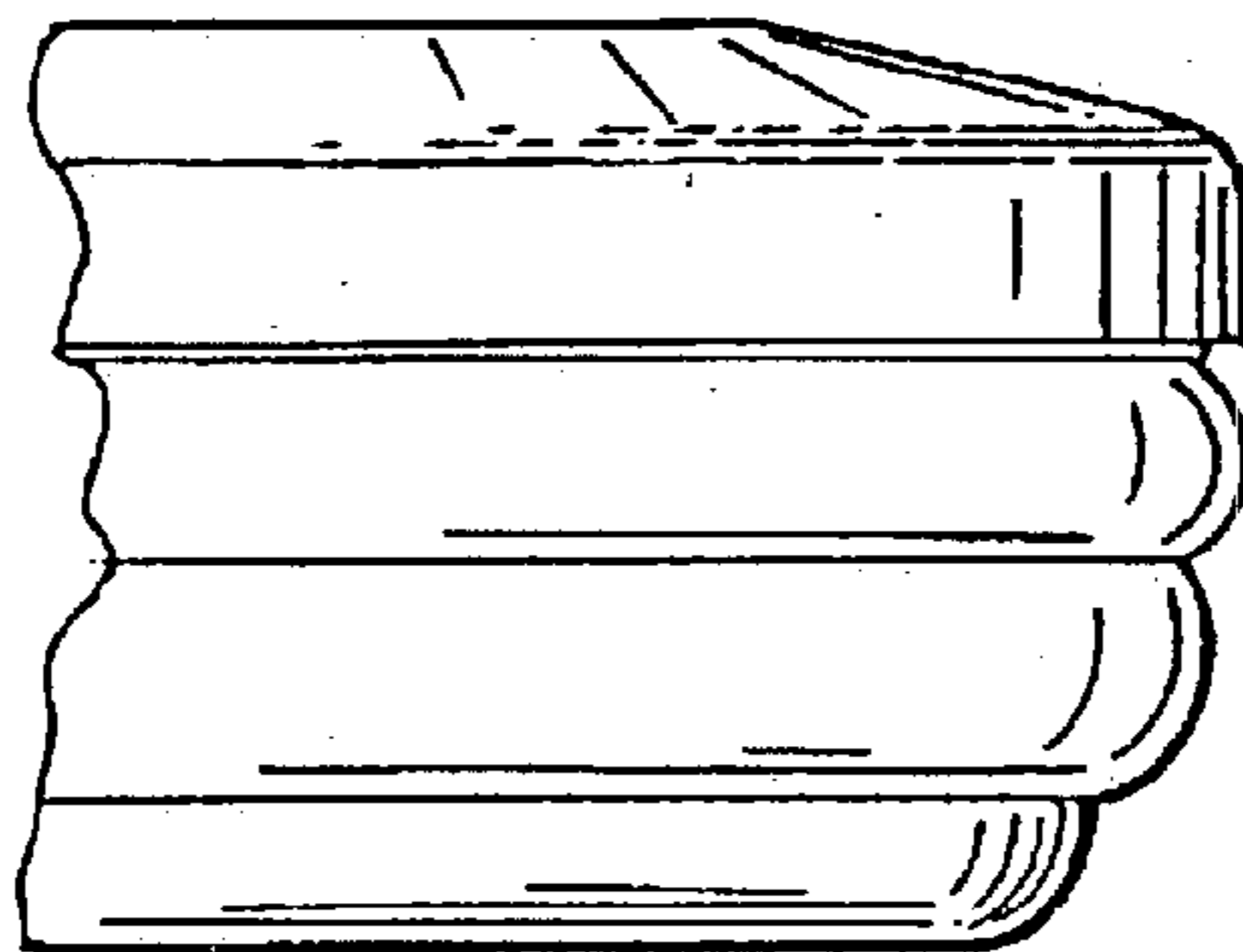


FIG. 5