

US00D495170S1

(12) **United States Design Patent** (10) **Patent No.:** **US D495,170 S**
True (45) **Date of Patent:** **** Aug. 31, 2004**

(54) **BACK AND SEAT CUSHIONS FOR A CHAIR**

Primary Examiner—Gary D. Watson
(74) *Attorney, Agent, or Firm*—Morland C. Fischer

(75) **Inventor:** **Alan L. True**, San Juan Capistrano, CA (US)

(57) **CLAIM**

(73) **Assignee:** **True Seating Concepts, LLC (MU)**

The ornamental design for back and seat cushions for a chair, as shown and described.

(**) **Term:** **14 Years**

DESCRIPTION

(21) **Appl. No.:** **29/195,895**

FIG. 1 is a perspective view showing the top, left side and front of a chair having the back and seat cushions which form my new design, the broken lines of other parts of the chair in this and other figures being for illustrative purposes only and forming no part of the claimed design;

(22) **Filed:** **Dec. 19, 2003**

(51) **LOC (7) Cl.** **06-01**

(52) **U.S. Cl.** **D6/500; D6/366; D6/502**

(58) **Field of Search** D6/334, 335, 364, D6/365, 366, 367, 500, 501, 502; 297/411.2, 411.27

FIG. 2 is a perspective view showing the top, left side and rear thereof;

(56) **References Cited**

U.S. PATENT DOCUMENTS

D372,799 S	*	8/1996	Orians et al.	D6/366
D374,779 S	*	10/1996	Feldberg	D6/366
D414,631 S	*	10/1999	Zaidman	D6/500
D431,921 S	*	10/2000	Hammer	D6/366
D441,993 S	*	5/2001	Lin	D6/500
D463,173 S	*	9/2002	Chi	D6/500
D467,747 S	*	12/2002	Zaidman	D6/365

FIG. 3 is a front elevational view;

FIG. 4 is a right side elevational view thereof;

FIG. 5 is a rear elevational view thereof;

FIG. 6 is a left side elevational view thereof;

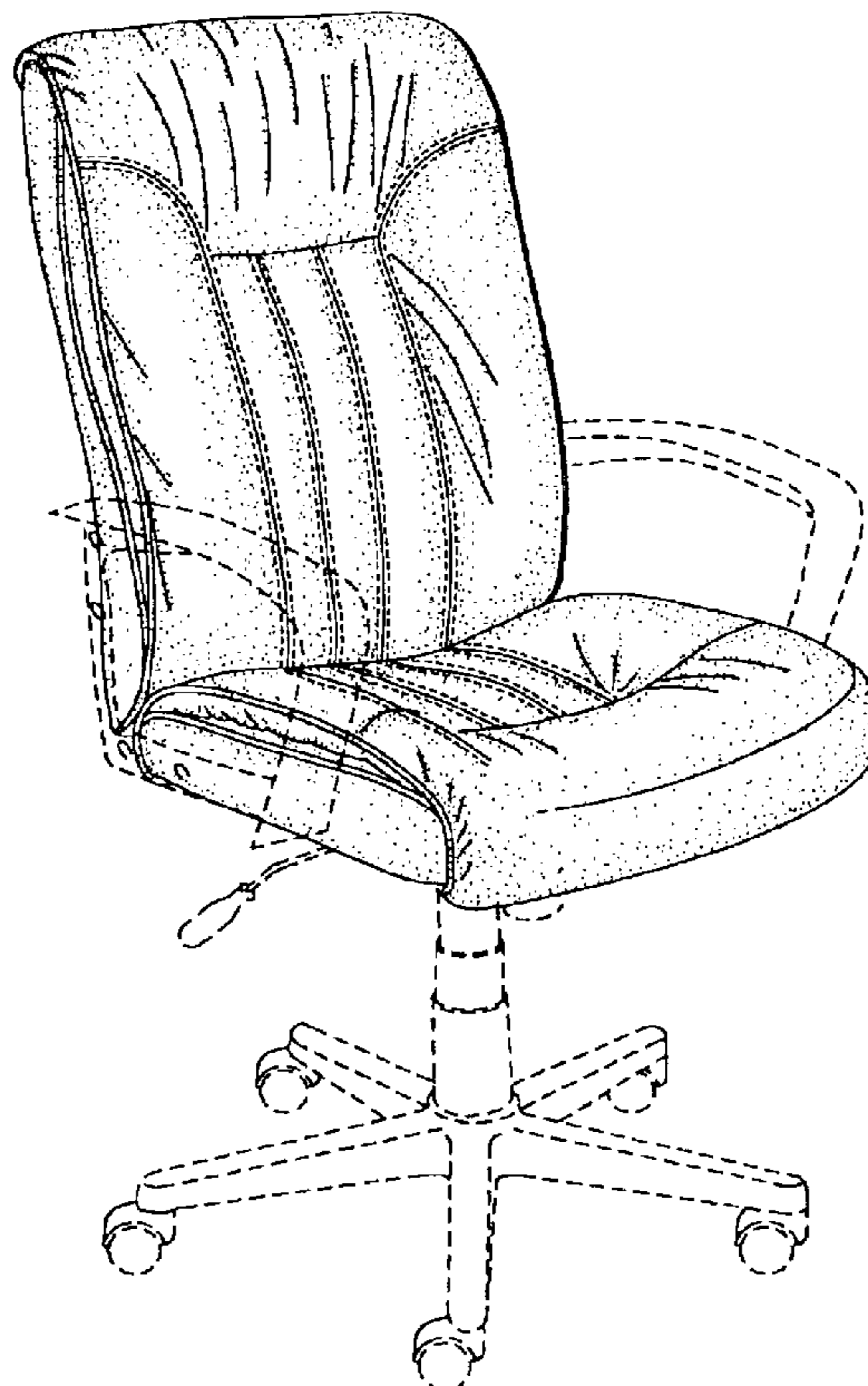
FIG. 7 is a top plan view thereof; and,

FIG. 8 is a bottom plan view thereof.

The short broken lines shown along each side of various seam lines on the seat and backrest members of FIGS. 1, 2, 3, 5, 7 and 8 are understood to represent stitching.

* cited by examiner

1 Claim, 4 Drawing Sheets



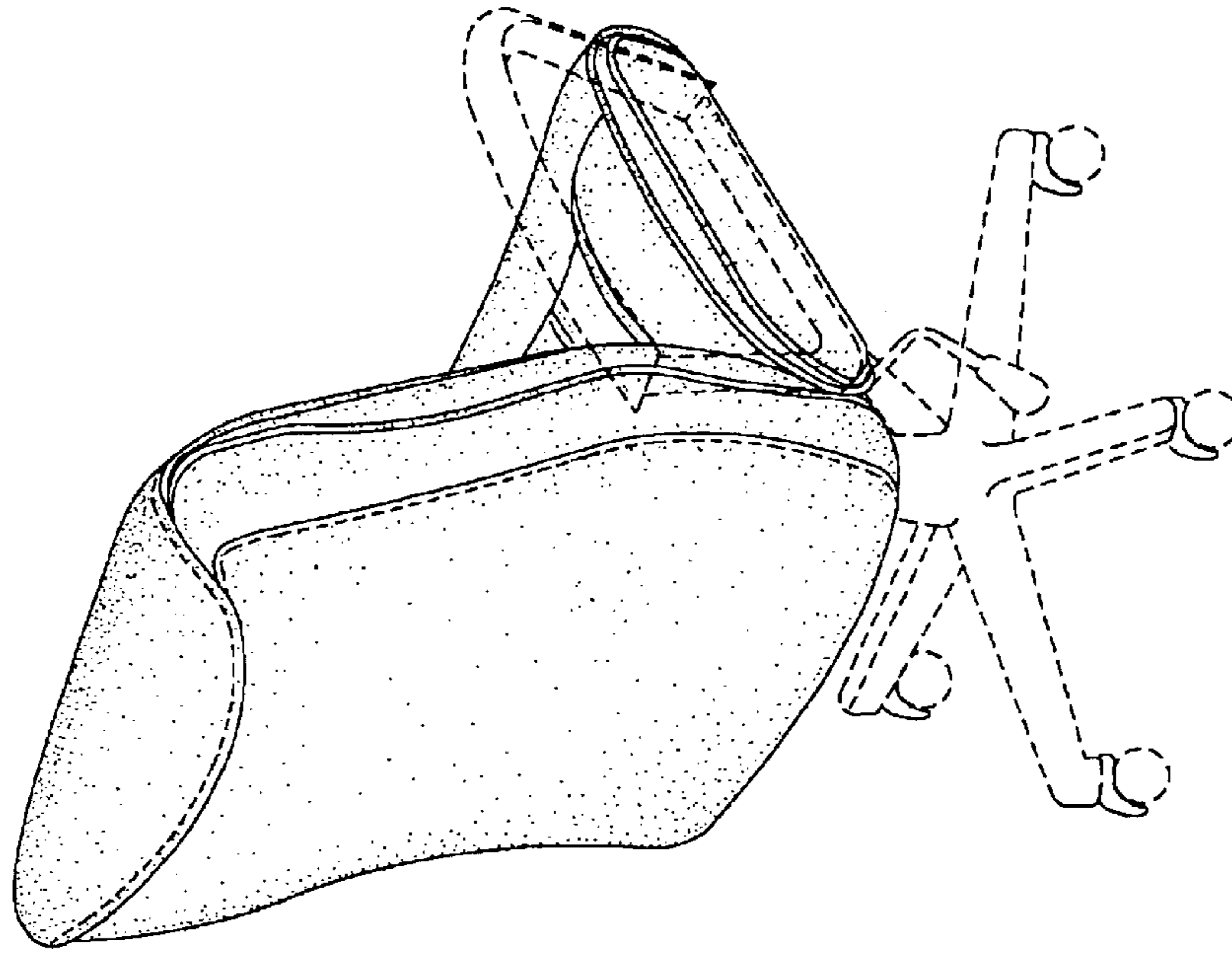


Fig. 2

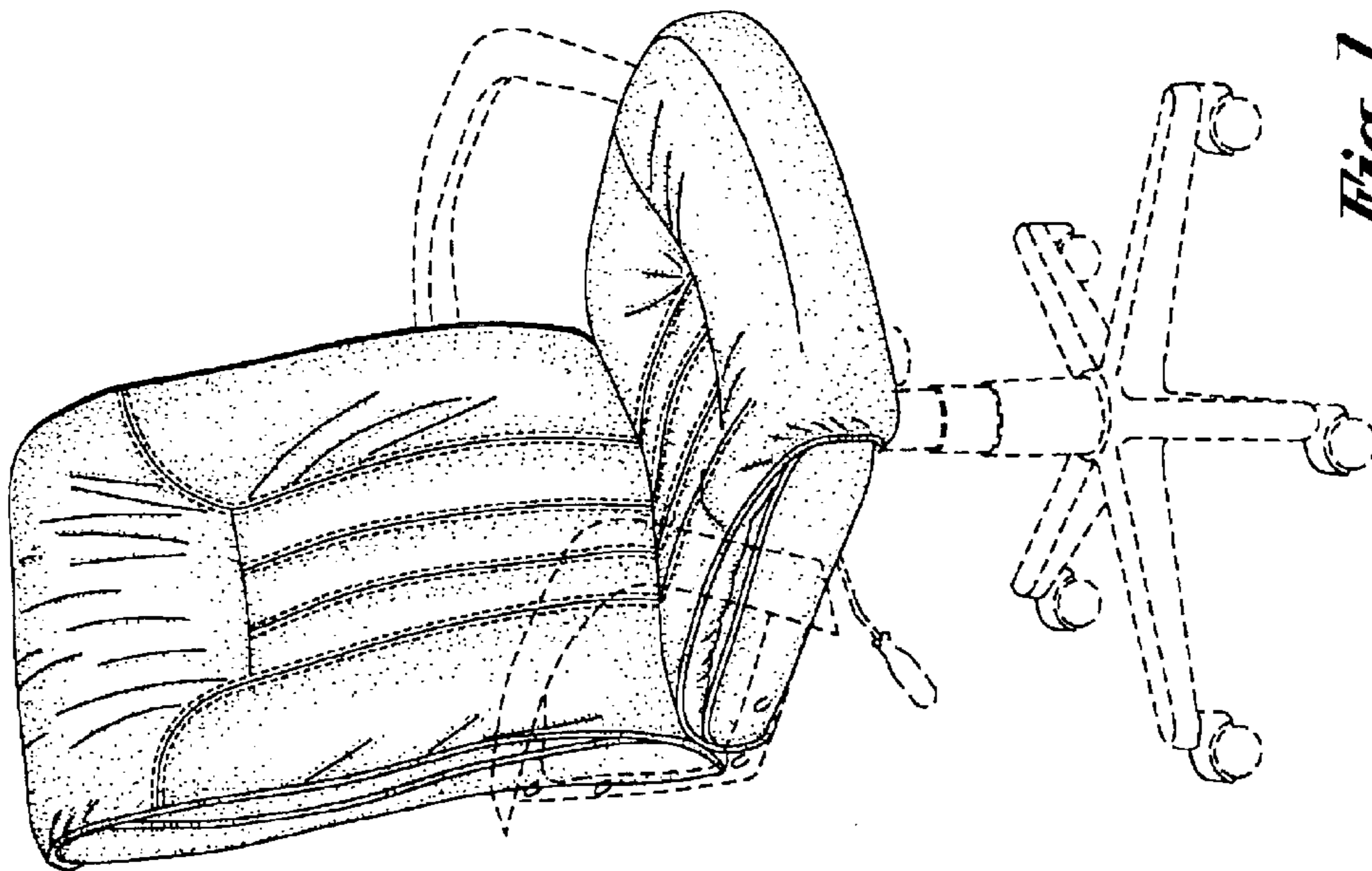


Fig. 1

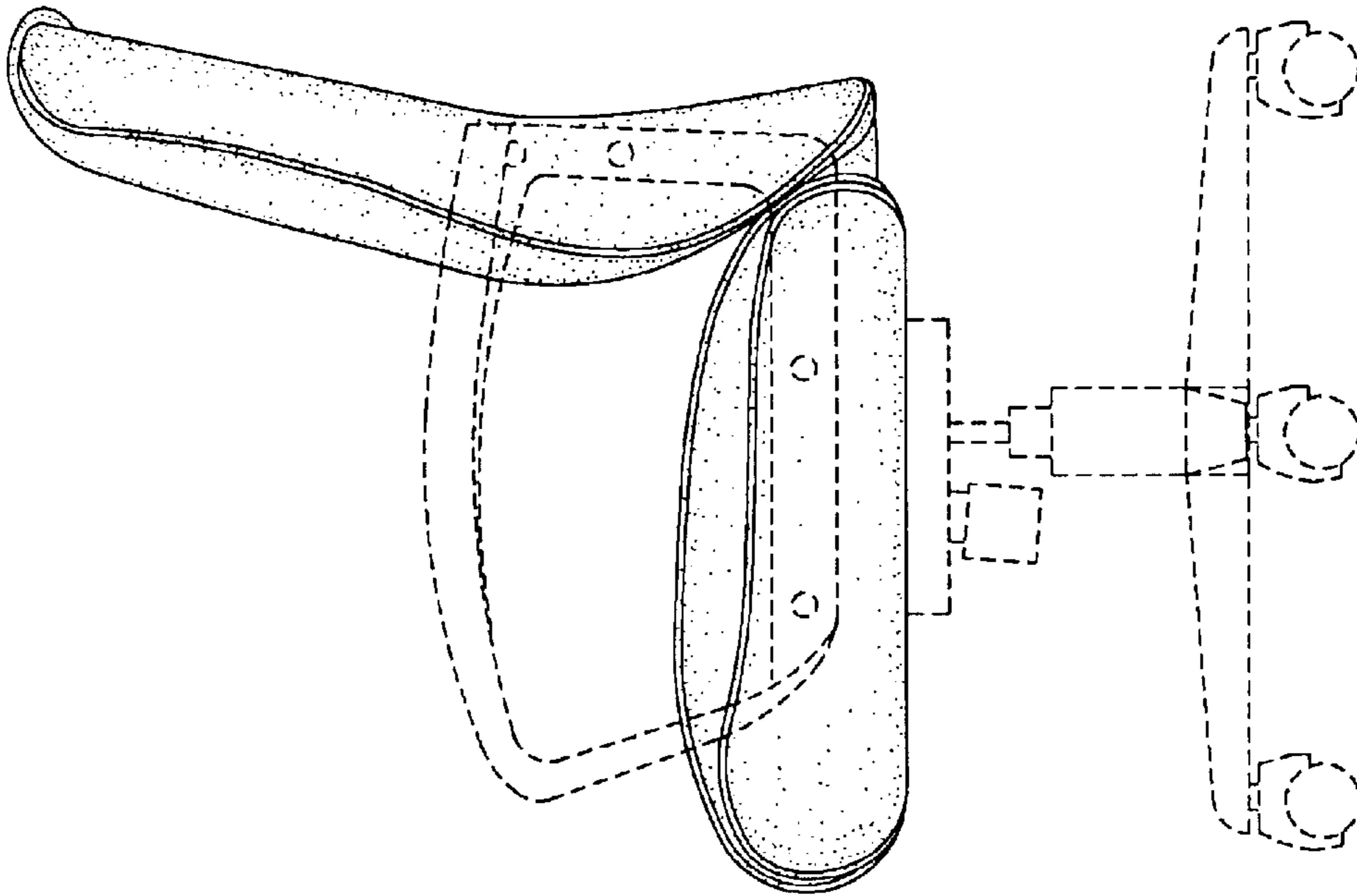


Fig. 4

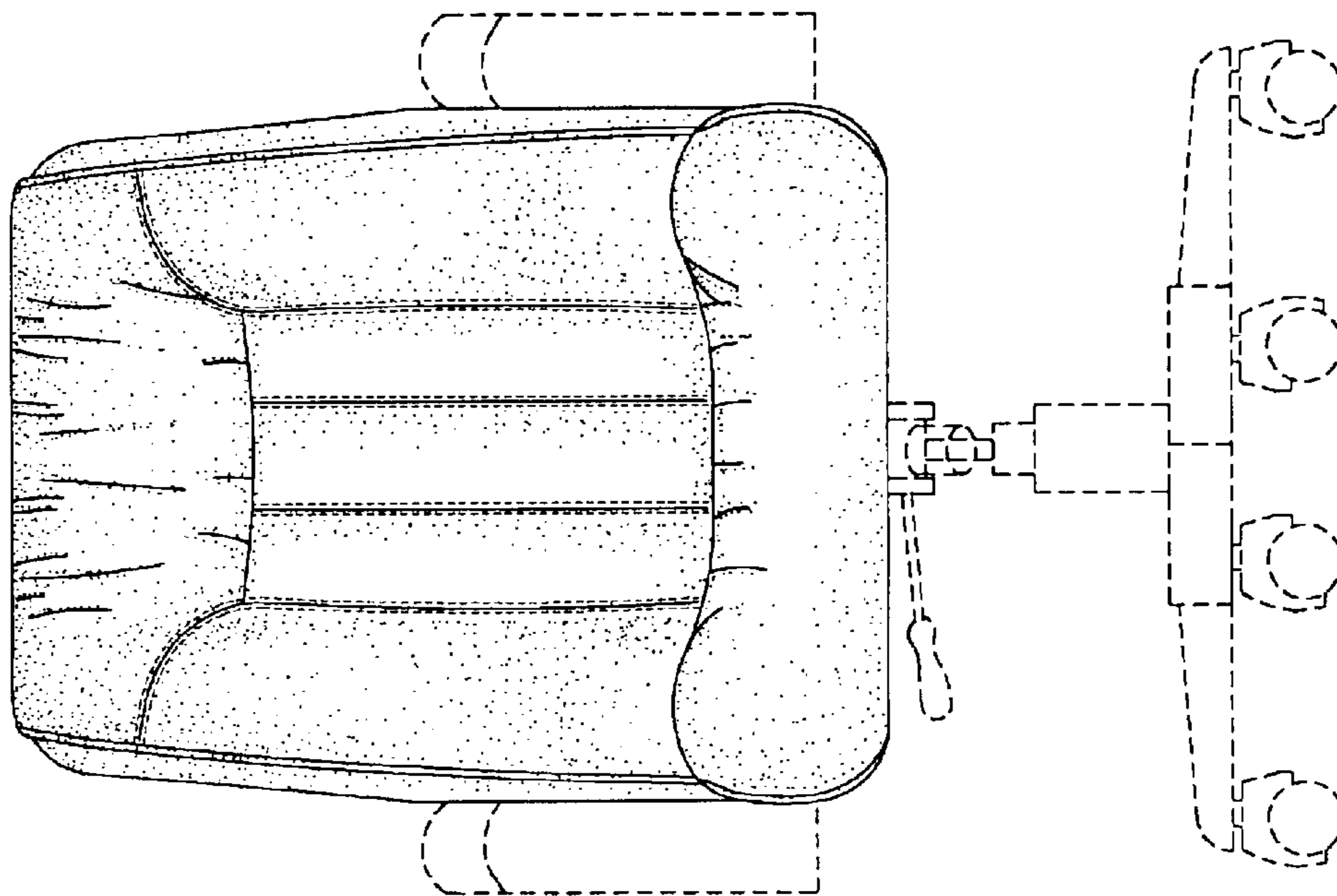


Fig. 3

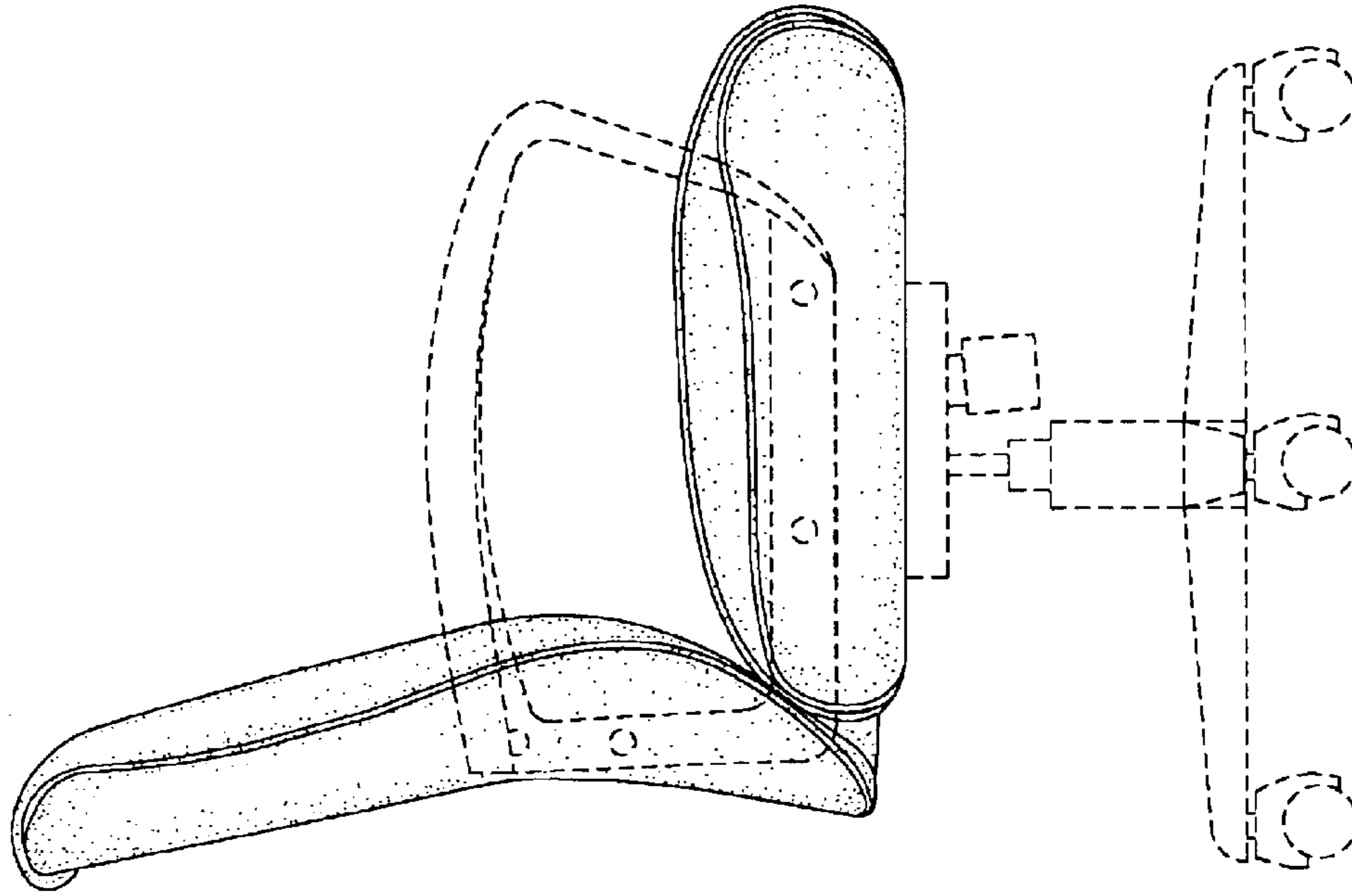


Fig. 5

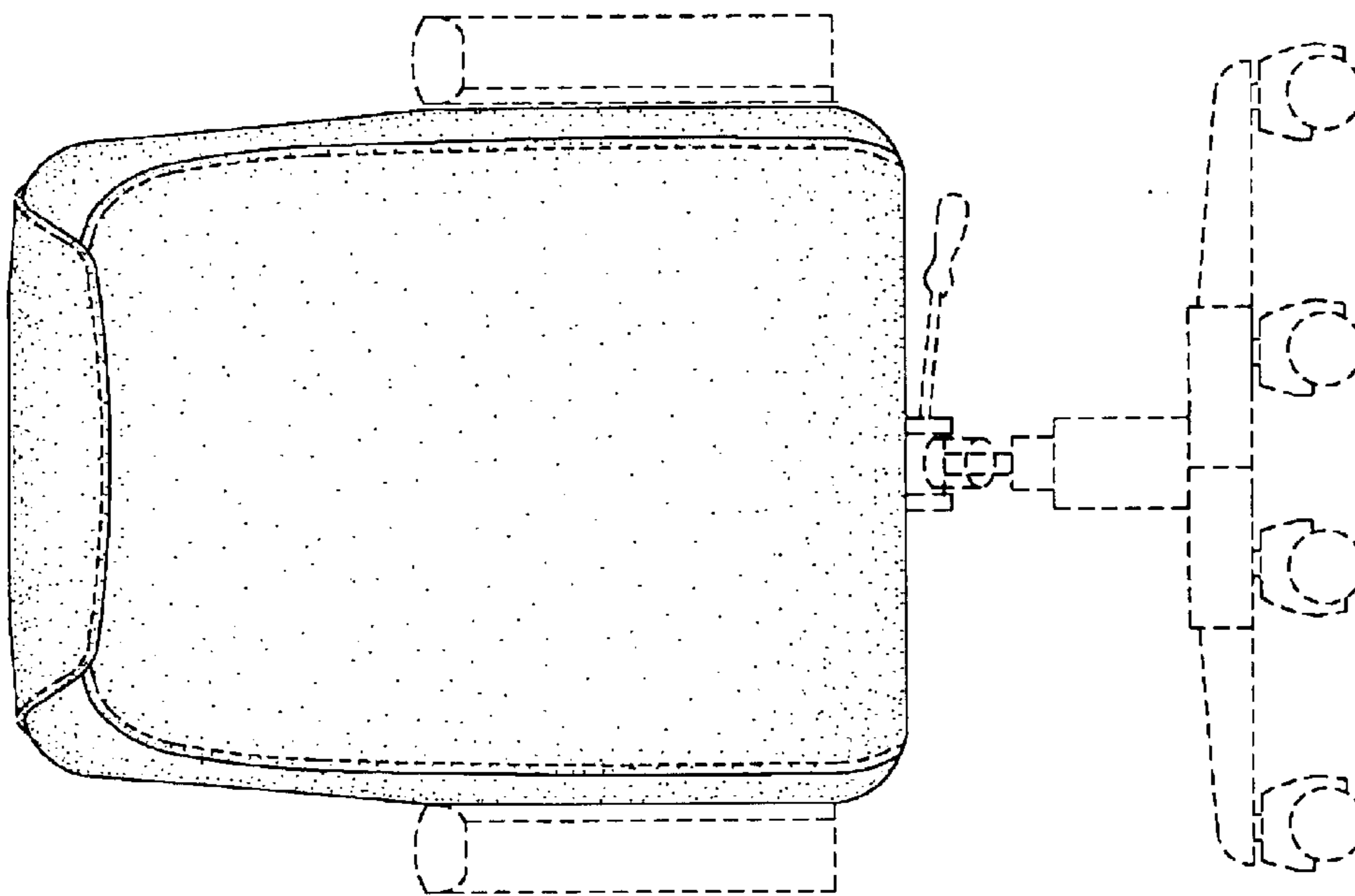


Fig. 6

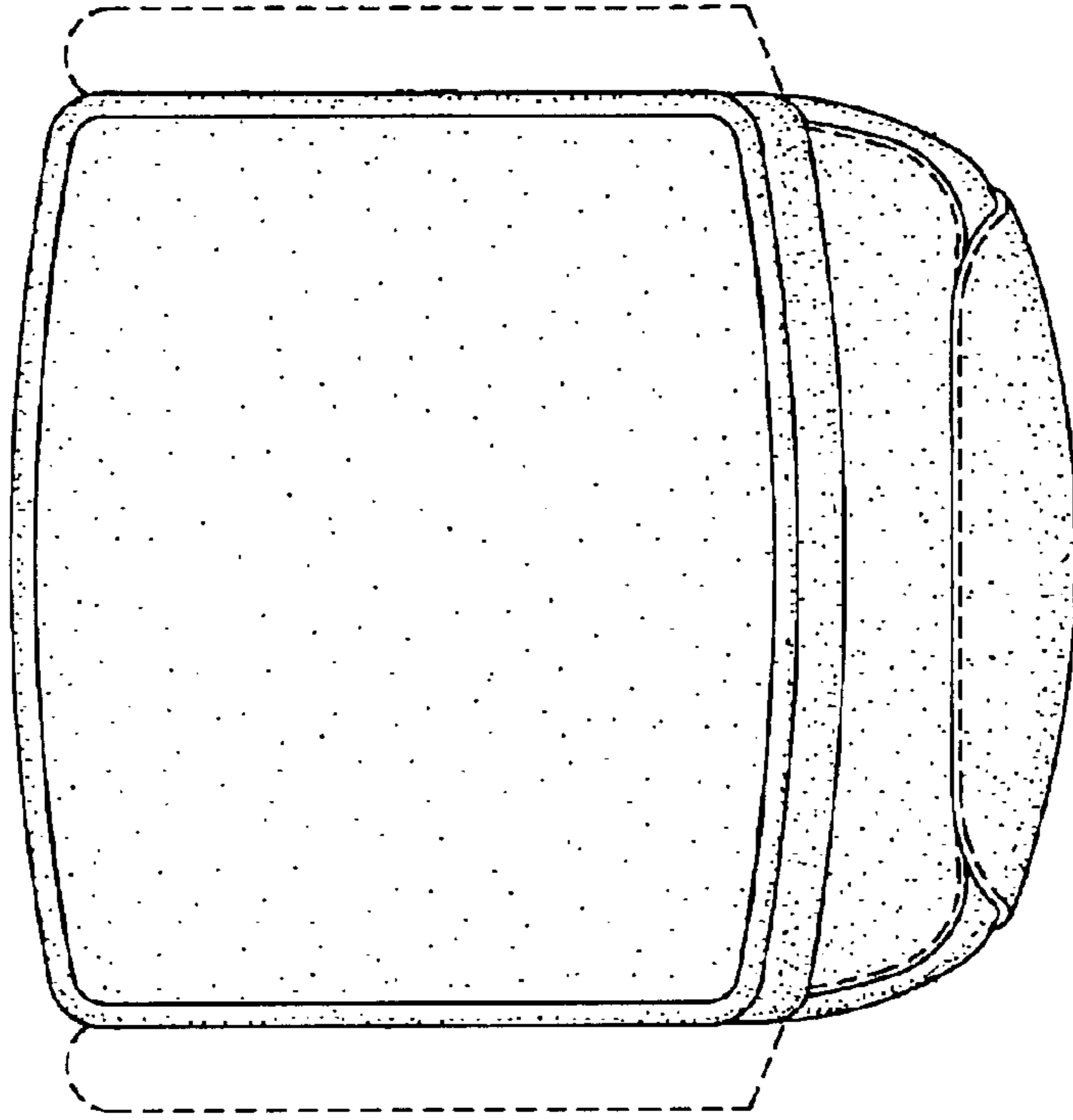


Fig. 8

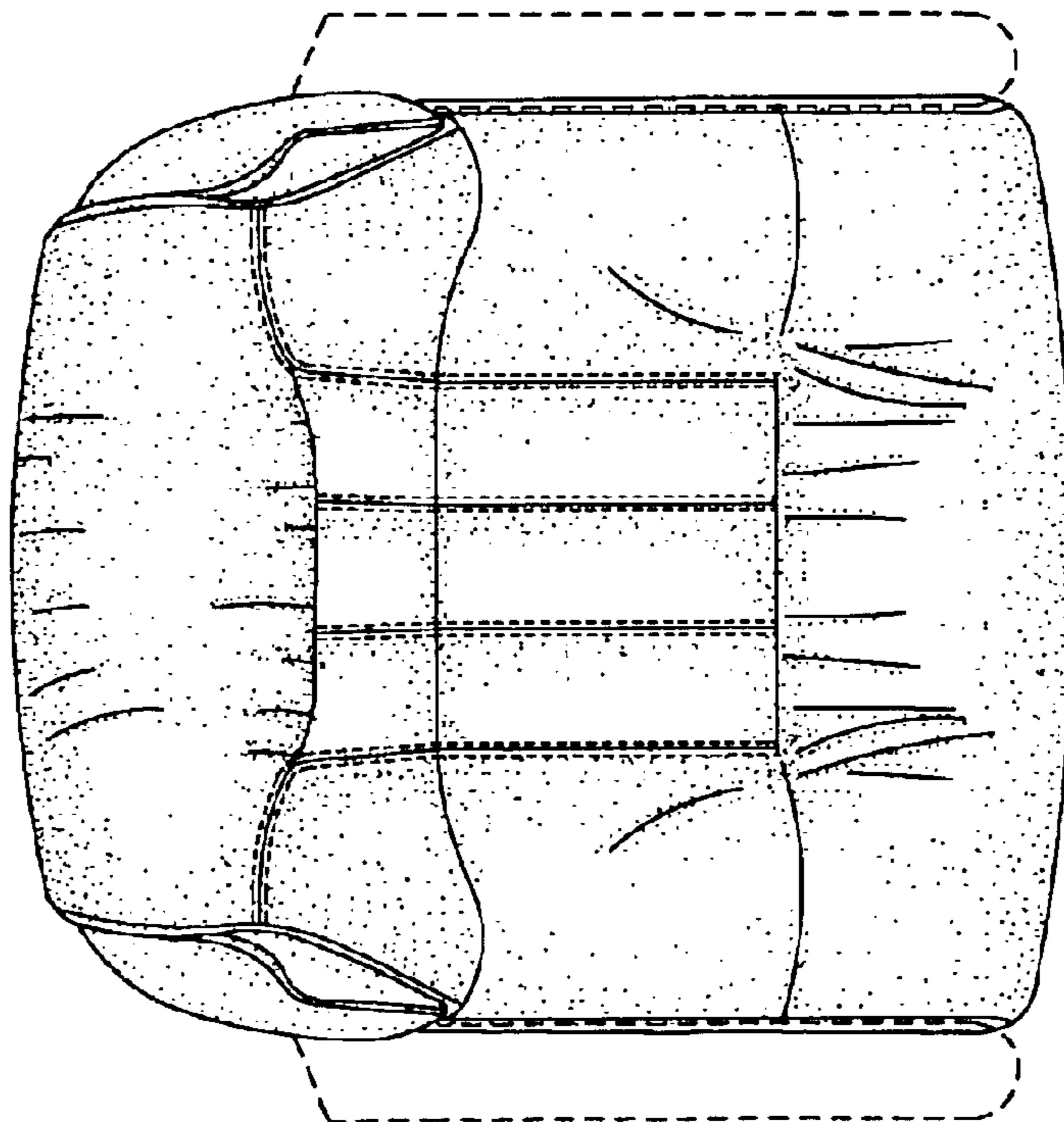


Fig. 7