



US00D495167S1

(12) **United States Design Patent** (10) **Patent No.:** **US D495,167 S**  
**Chu** (45) **Date of Patent:** **\*\* Aug. 31, 2004**

(54) **CHAIR**

D483,193 S \* 12/2003 Goodworth ..... D6/366

(75) Inventor: **Zoocy Chu**, Grand Rapids, MI (US)

\* cited by examiner

(73) Assignee: **Global Total Office**, Downsville (CA)

*Primary Examiner*—Gary D. Watson

(74) *Attorney, Agent, or Firm*—Duane Morris LLP

(\*\*) Term: **14 Years**

(57) **CLAIM**

(21) Appl. No.: **29/183,372**

The ornamental design for a chair, as shown and described.

(22) Filed: **Jun. 11, 2003**

**DESCRIPTION**

(51) **LOC (7) Cl.** ..... **06-01**

FIG. 1 is a perspective view from the front and one side of the chair;

(52) **U.S. Cl.** ..... **D6/500; D6/366; D6/502**

FIG. 2 is a perspective view from the rear and one side of the chair of FIG. 1;

(58) **Field of Search** ..... D6/334, 335, 364,  
D6/365, 366, 367, 500, 501, 502; 297/411.2,  
411.27

FIG. 3 is a side elevation view from one side of the chair of FIG. 1;

(56) **References Cited**

**U.S. PATENT DOCUMENTS**

D399,664 S	*	10/1998	Goodworth et al.	.....	D6/366
D408,163 S	*	4/1999	Olson	.....	D6/366
D423,241 S	*	4/2000	Magnusson et al.	.....	D6/366
D425,322 S	*	5/2000	Chu	.....	D6/366
D426,966 S	*	6/2000	Chu	.....	D6/366
D444,638 S	*	7/2001	Magnusson et al.	.....	D6/366
D482,205 S	*	11/2003	Englisch et al.	.....	D6/366

FIG. 4 is a front elevation view of the chair of FIG. 1;  
FIG. 5 is a side elevation view from the other side of the chair of FIG. 1;

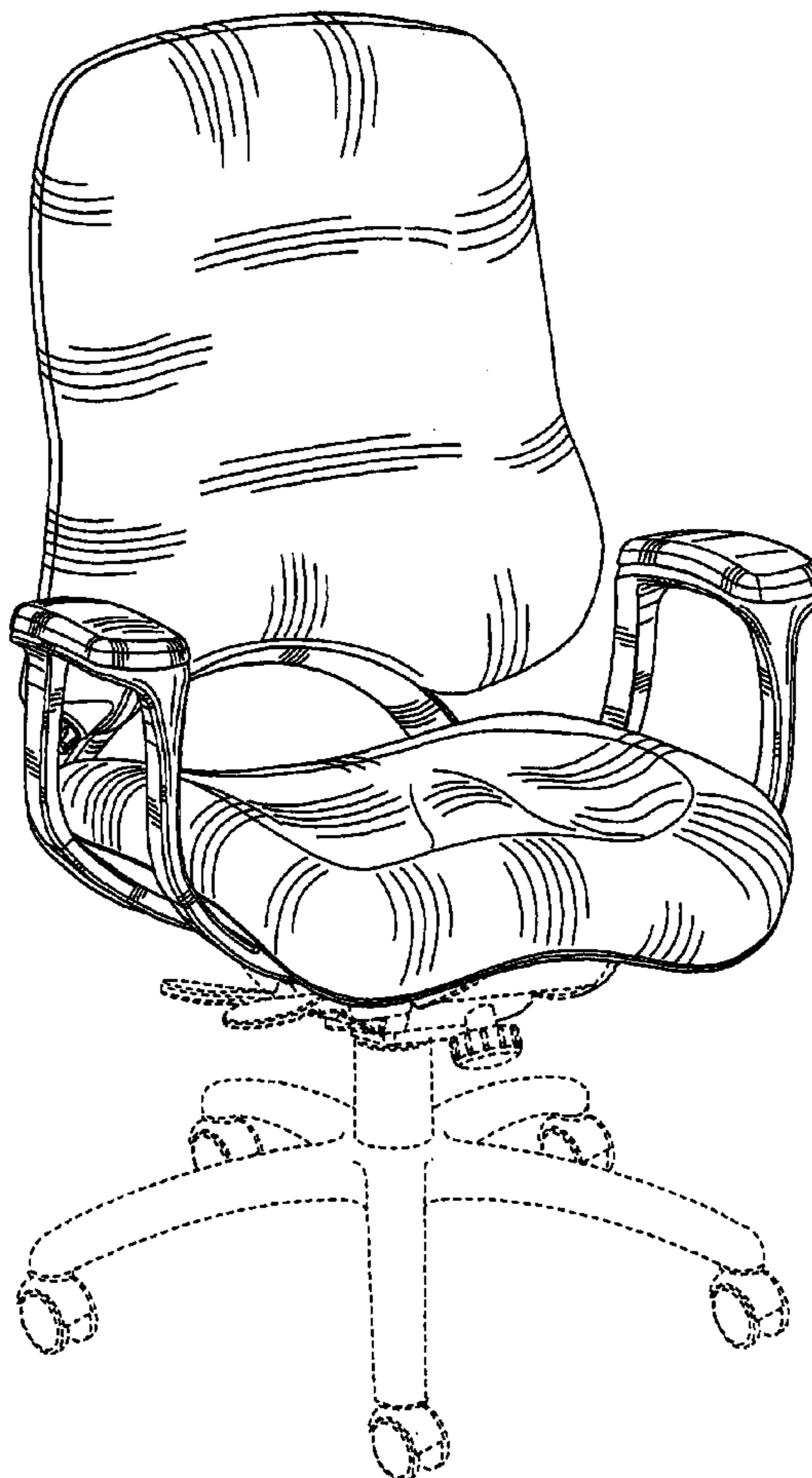
FIG. 6 is a rear elevation view of the chair of FIG. 1;

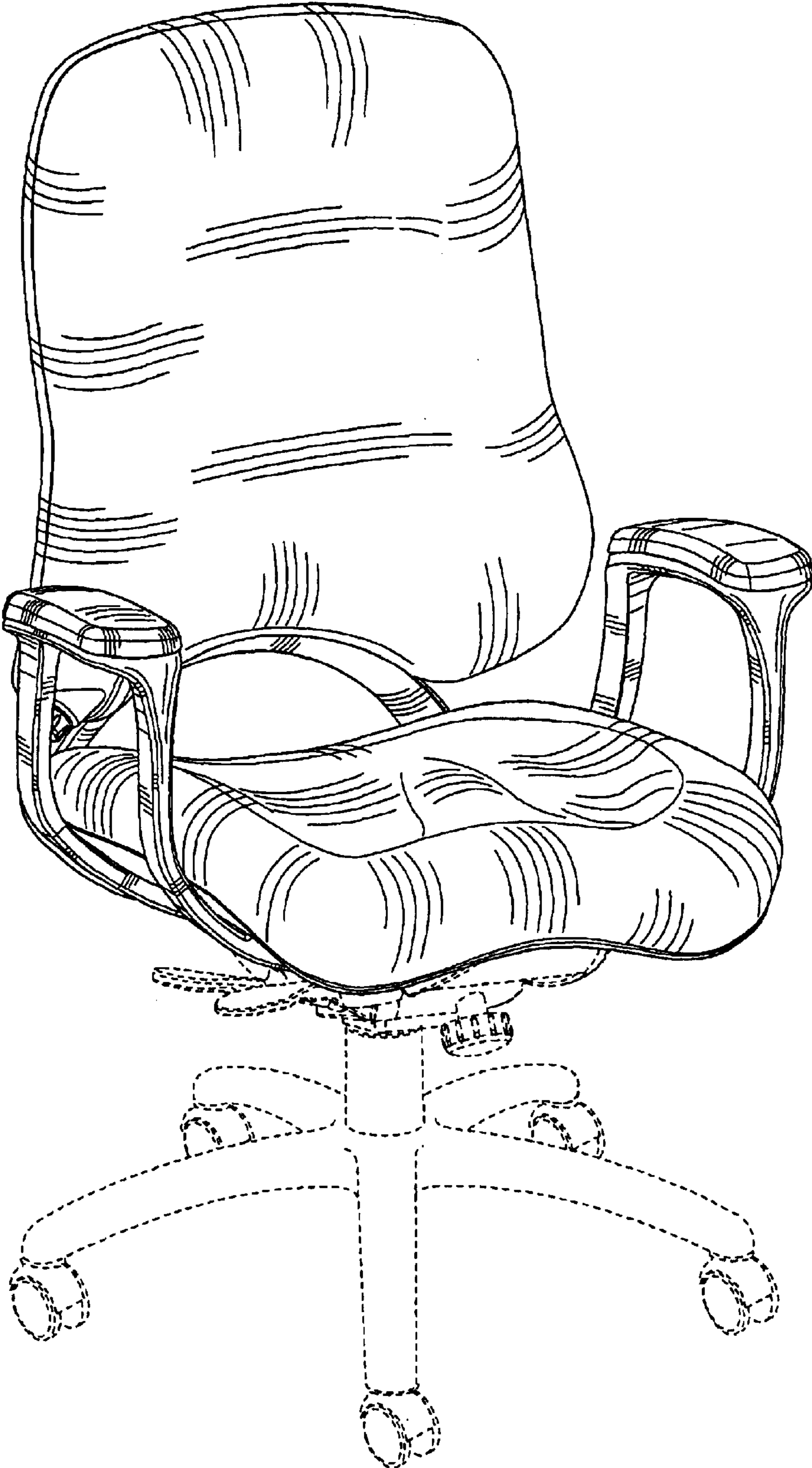
FIG. 7 is a top plan view of the chair of FIG. 1; and,

FIG. 8 is a bottom plan view of the chair of FIG. 1.

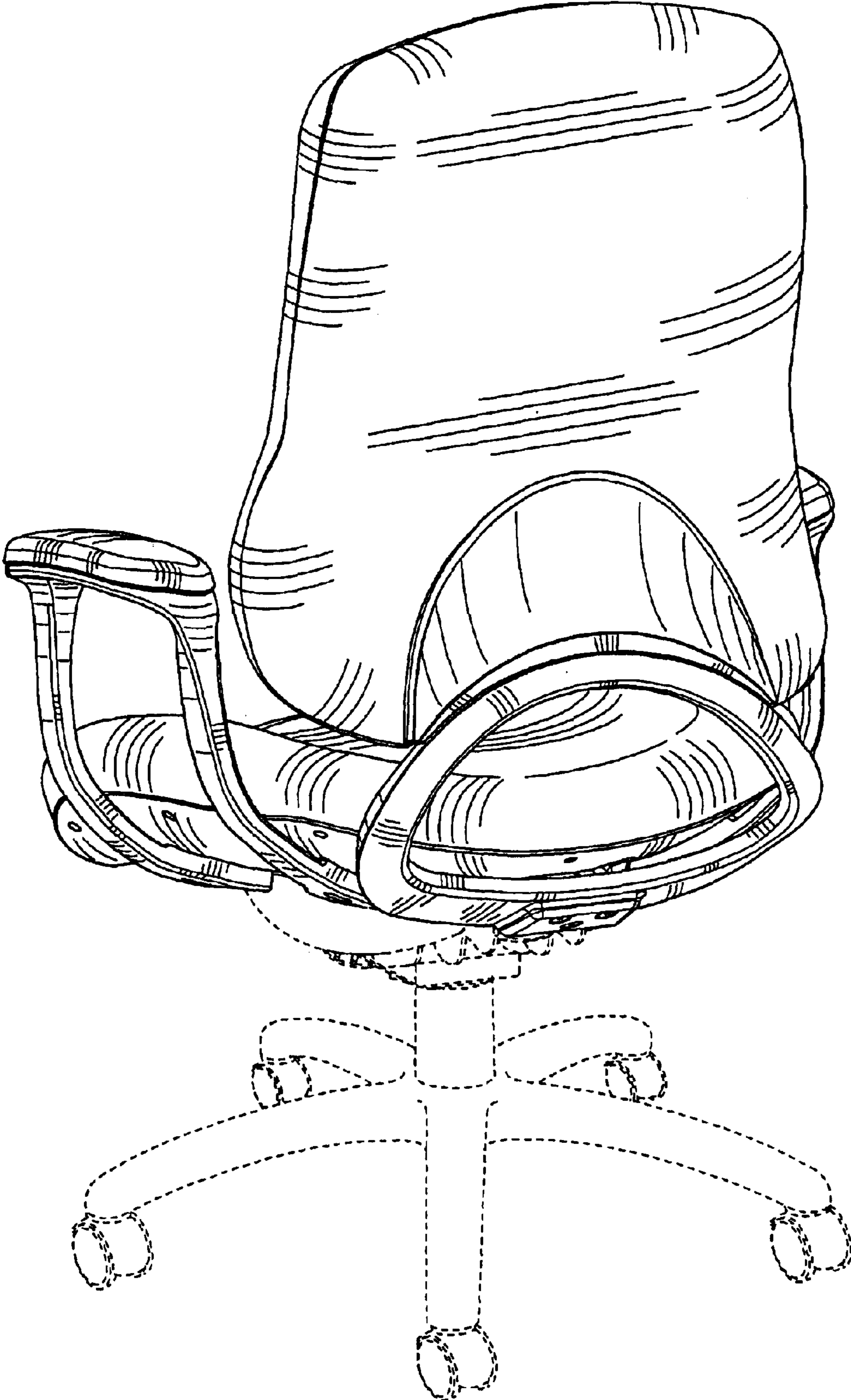
The matter shown in broken lines is environmental structure and forms no part of the claimed design.

**1 Claim, 8 Drawing Sheets**

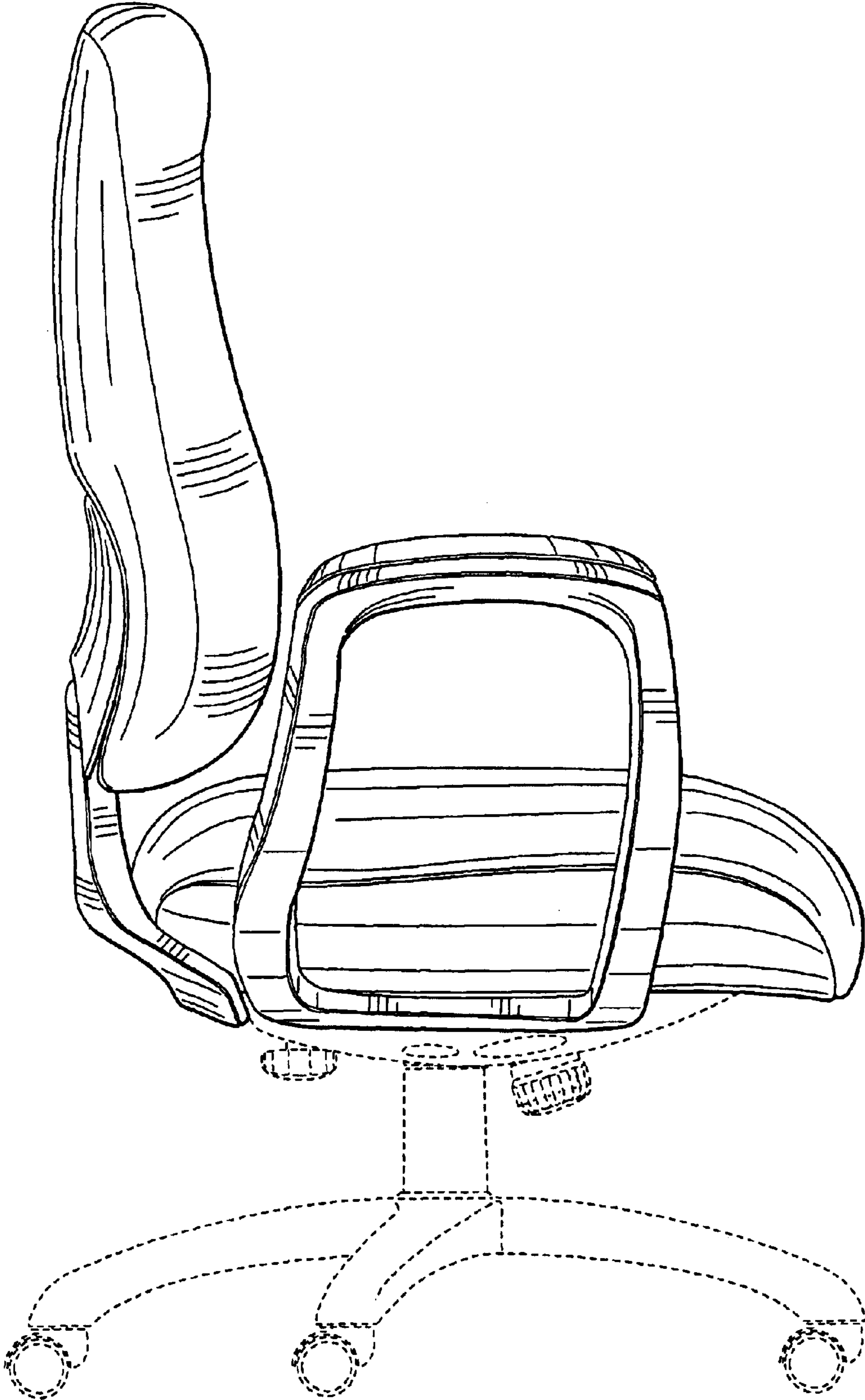




**FIG. 1**

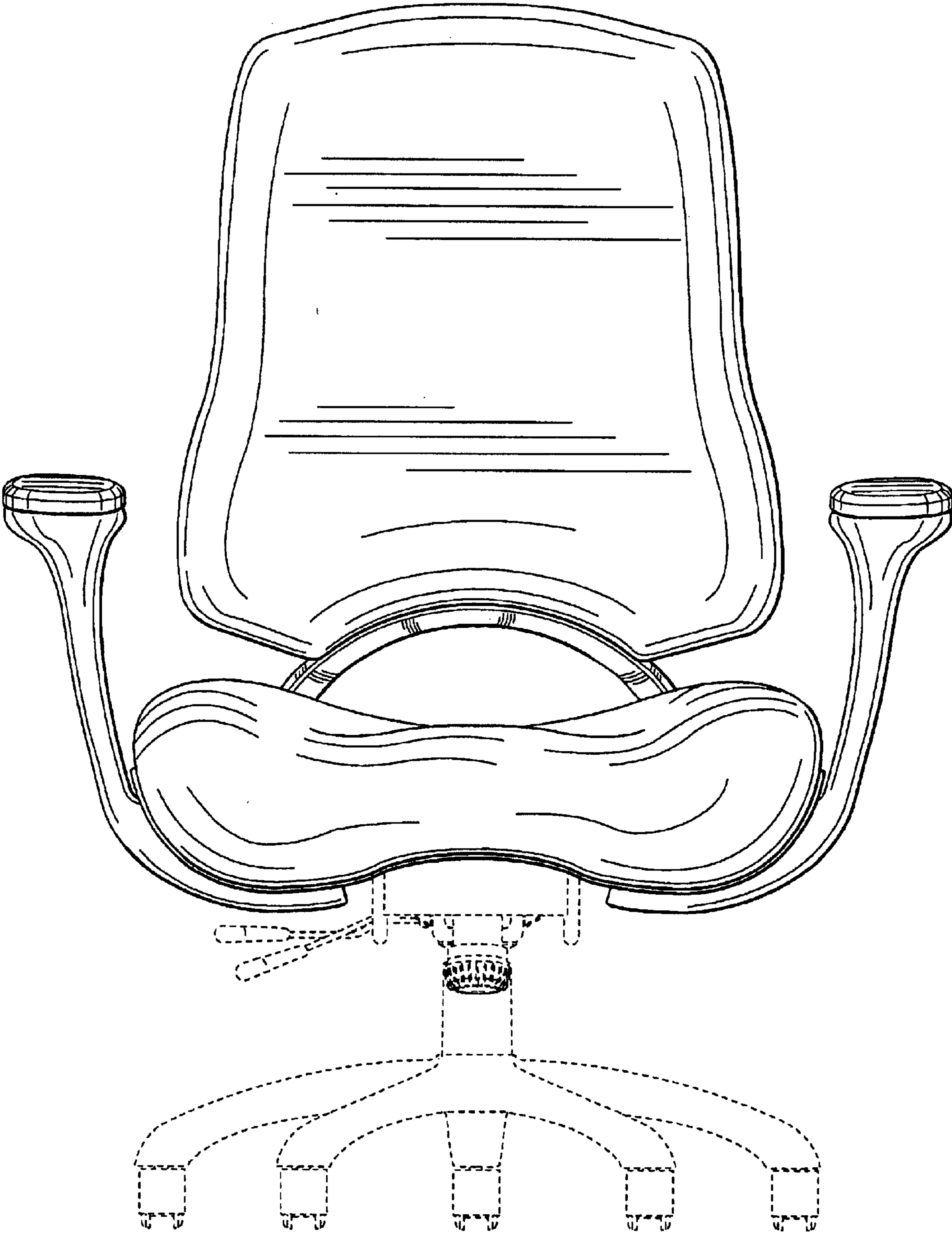


**FIG. 2**

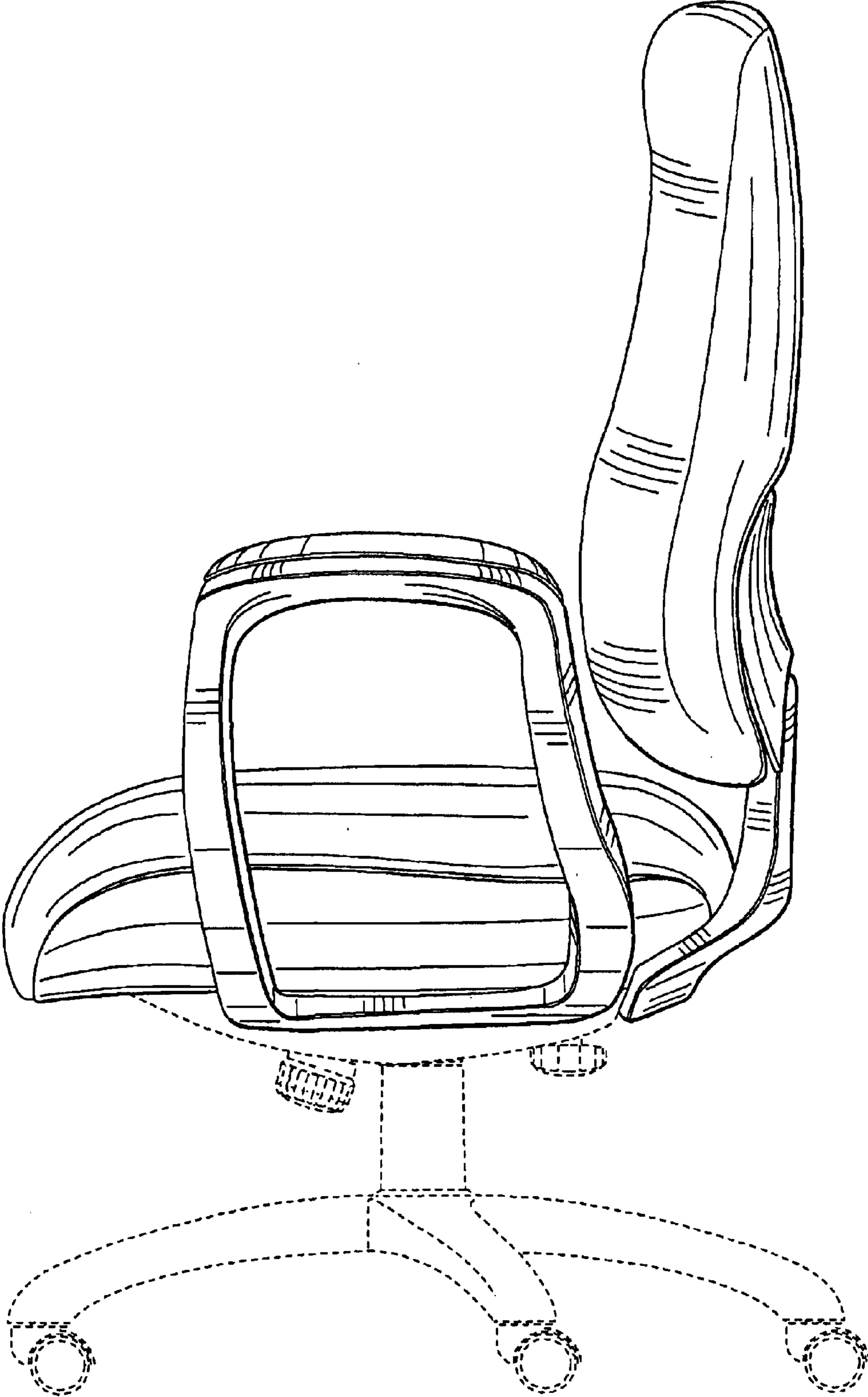


**FIG. 3**

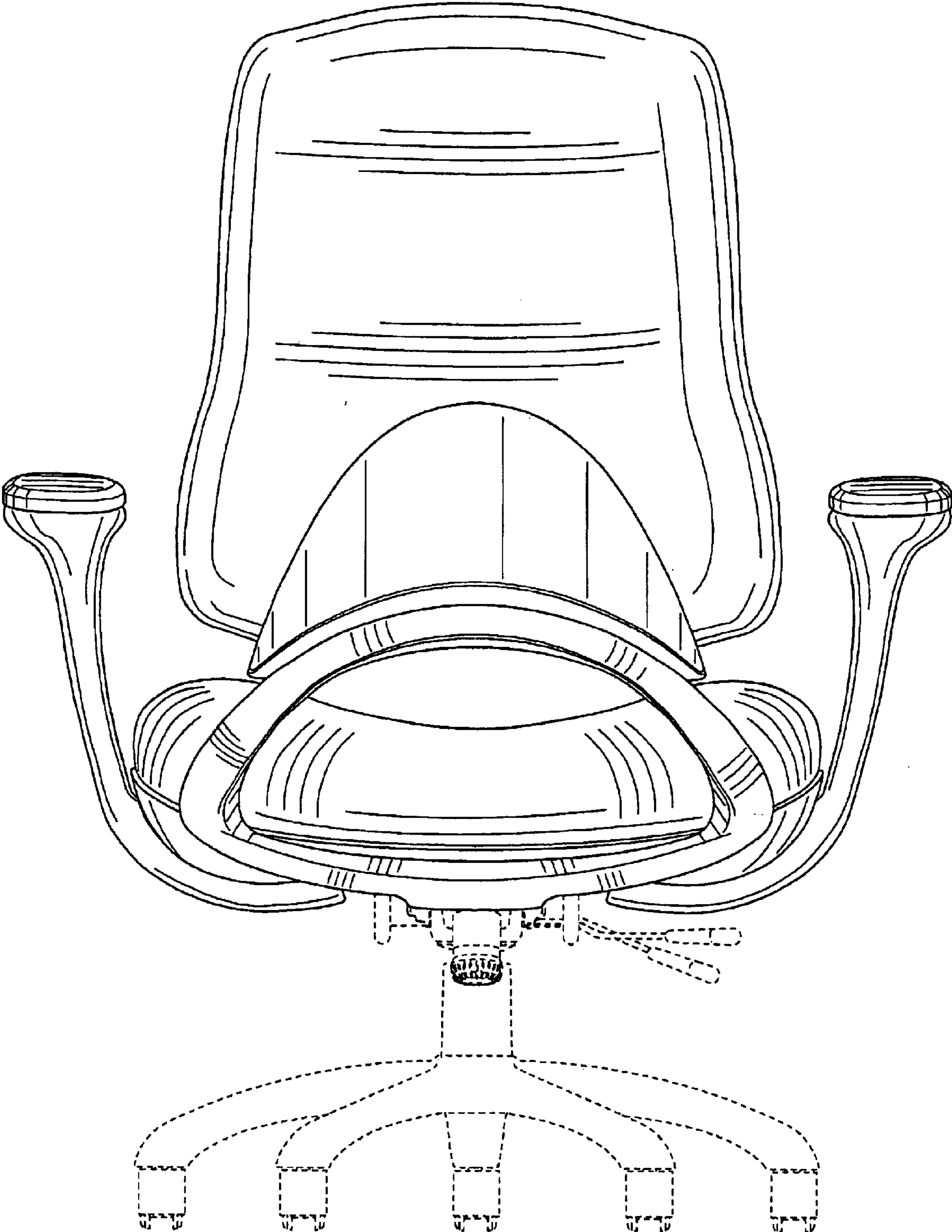




**FIG. 4**



**FIG. 5**

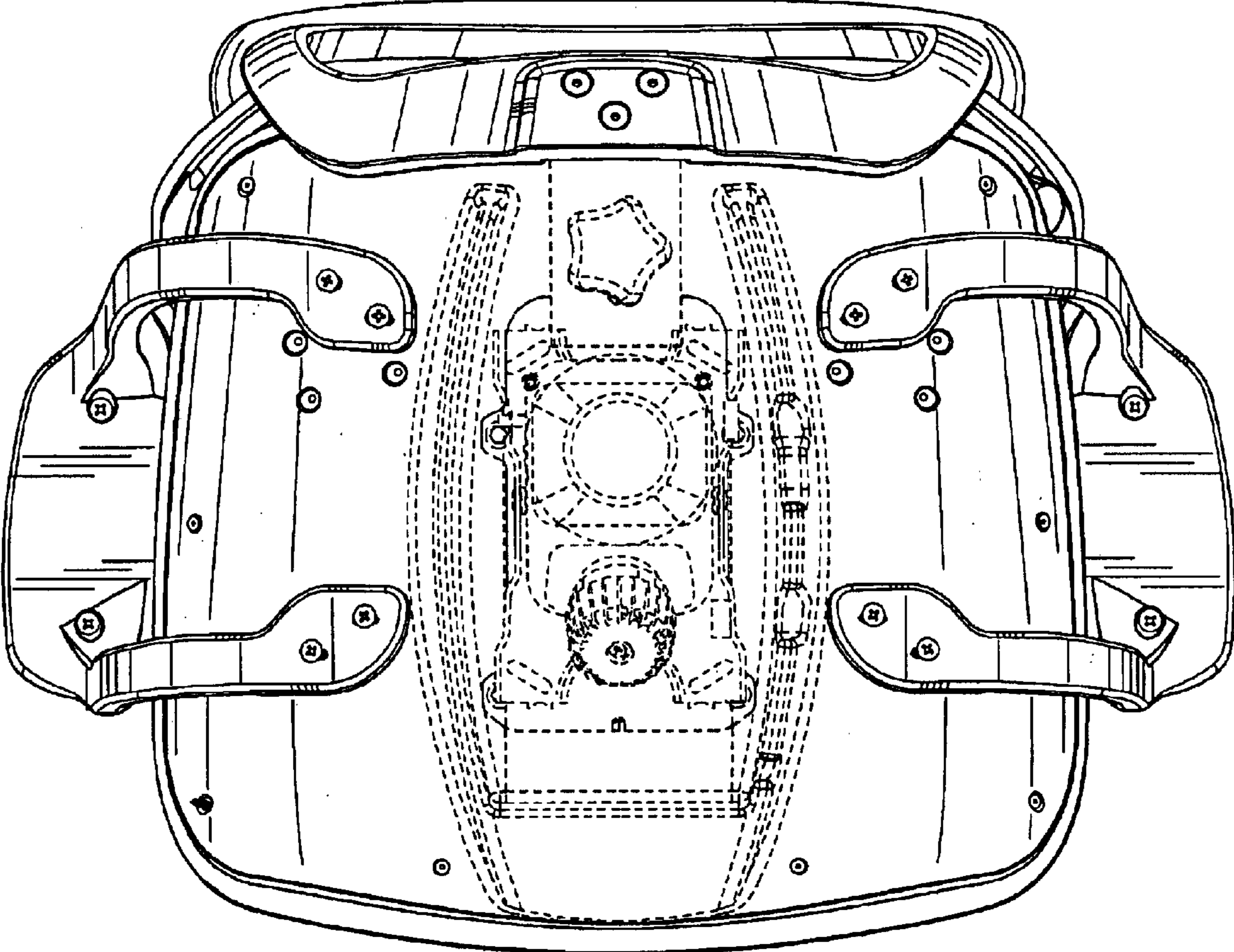


**FIG. 6**



**FIG. 7**





**FIG. 8**