

US00D495163S1

(12) **United States Design Patent**
Weatherly

(10) **Patent No.: US D495,163 S**

(45) **Date of Patent: ** Aug. 31, 2004**

(54) **ADJUSTABLE TELEVISION STAND**

FOREIGN PATENT DOCUMENTS

(75) Inventor: **Matthew R. Weatherly**, Belton, MO
(US)

DE M 9407434.8 * 9/1994 06/3

(73) Assignee: **O'Sullivan Industries, Inc.**, Lamar,
MO (US)

OTHER PUBLICATIONS

www.bello.com/plasma/pvs-4260.asp—PVS-4260 Universal Plasma TV Audio/Video System; pp. 1-2.

(**) Term: **14 Years**

* cited by examiner

(21) Appl. No.: **29/178,805**

Primary Examiner—Cathron Brooks

(22) Filed: **Mar. 31, 2003**

(74) *Attorney, Agent, or Firm*—Haynes and Boone, LLP

(51) **LOC (7) Cl.** **06-04**

(57) **CLAIM**

(52) **U.S. Cl.** **D6/479; D6/466**

The design for the adjustable television stand, as shown and described.

(58) **Field of Search** D6/477-479, 474,
D6/466; 108/59, 60, 91, 92, 147.11, 149;
211/153, 186, 188, 194; 312/9.1, 7.2, 223.1

DESCRIPTION

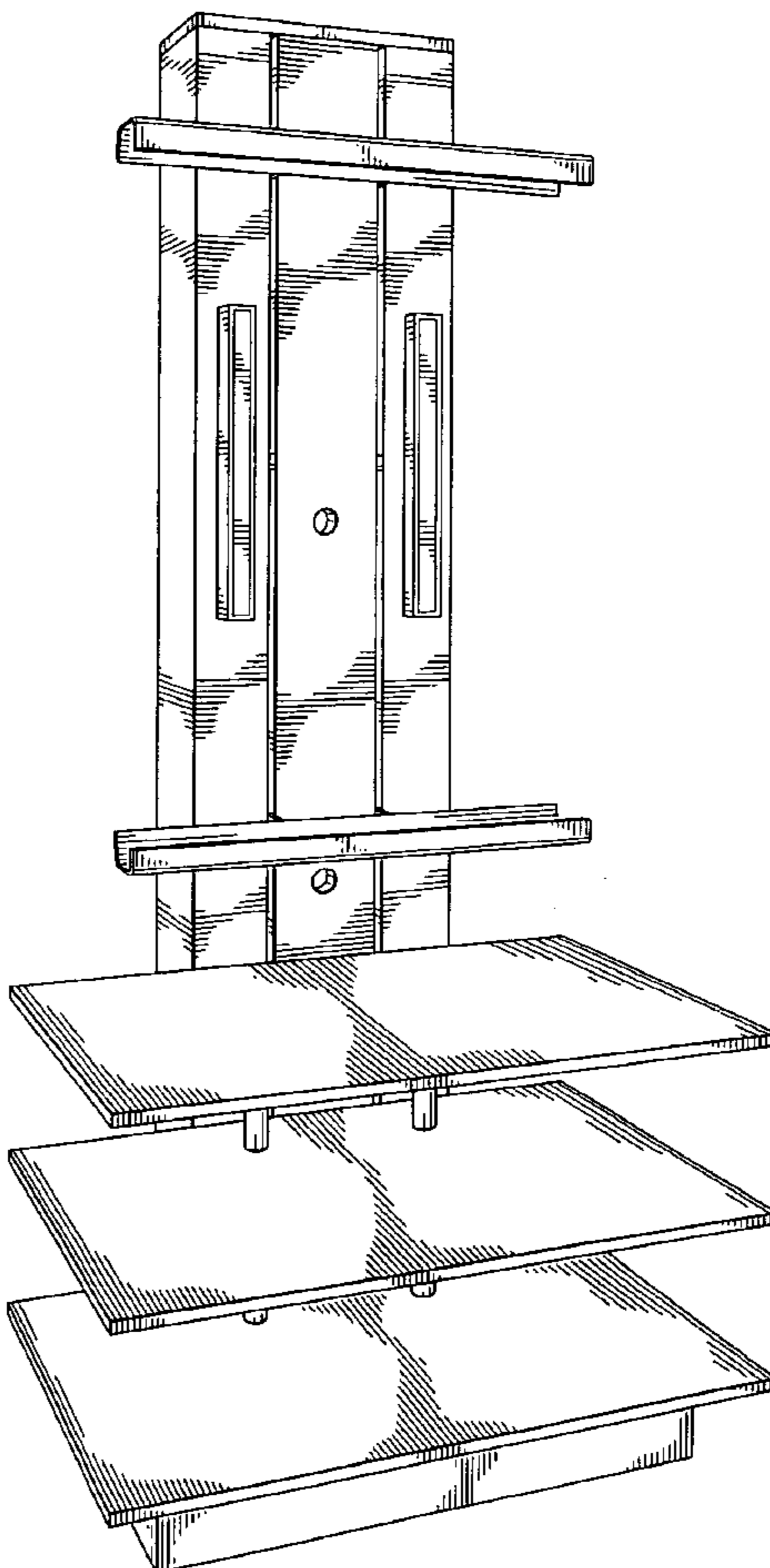
(56) **References Cited**

FIG. 1 is a perspective view of the adjustable television stand showing my new design;
FIG. 2 is a front view thereof;
FIG. 3 is a left view thereof;
FIG. 4 is a rear view thereof; and,
FIG. 5 is a top view thereof.

U.S. PATENT DOCUMENTS

5,129,525 A * 7/1992 Maynard, Jr. 211/205
D401,084 S * 11/1998 Martin D6/474
D465,355 S * 11/2002 Luong D6/477

1 Claim, 5 Drawing Sheets



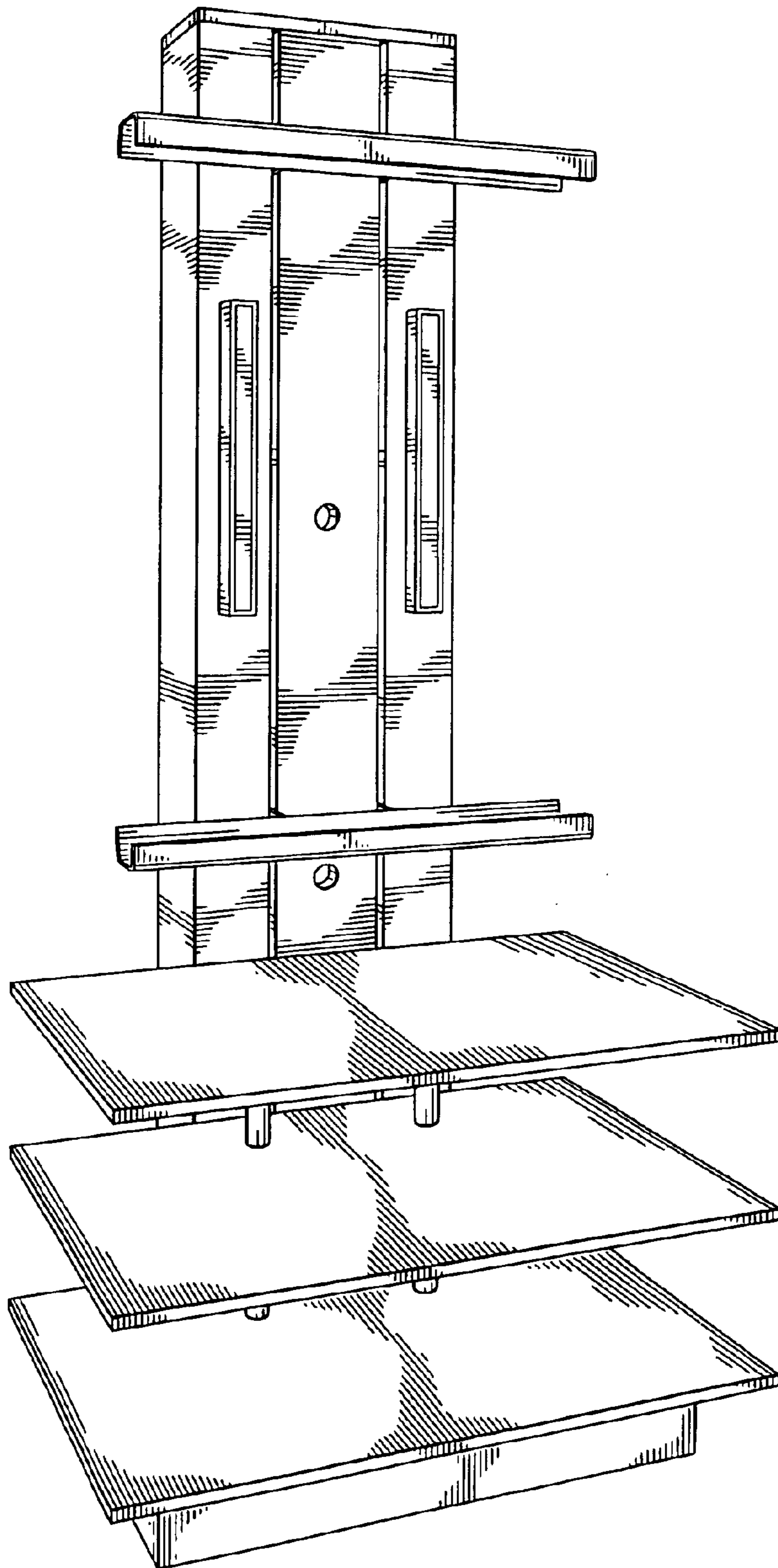


Fig. 1

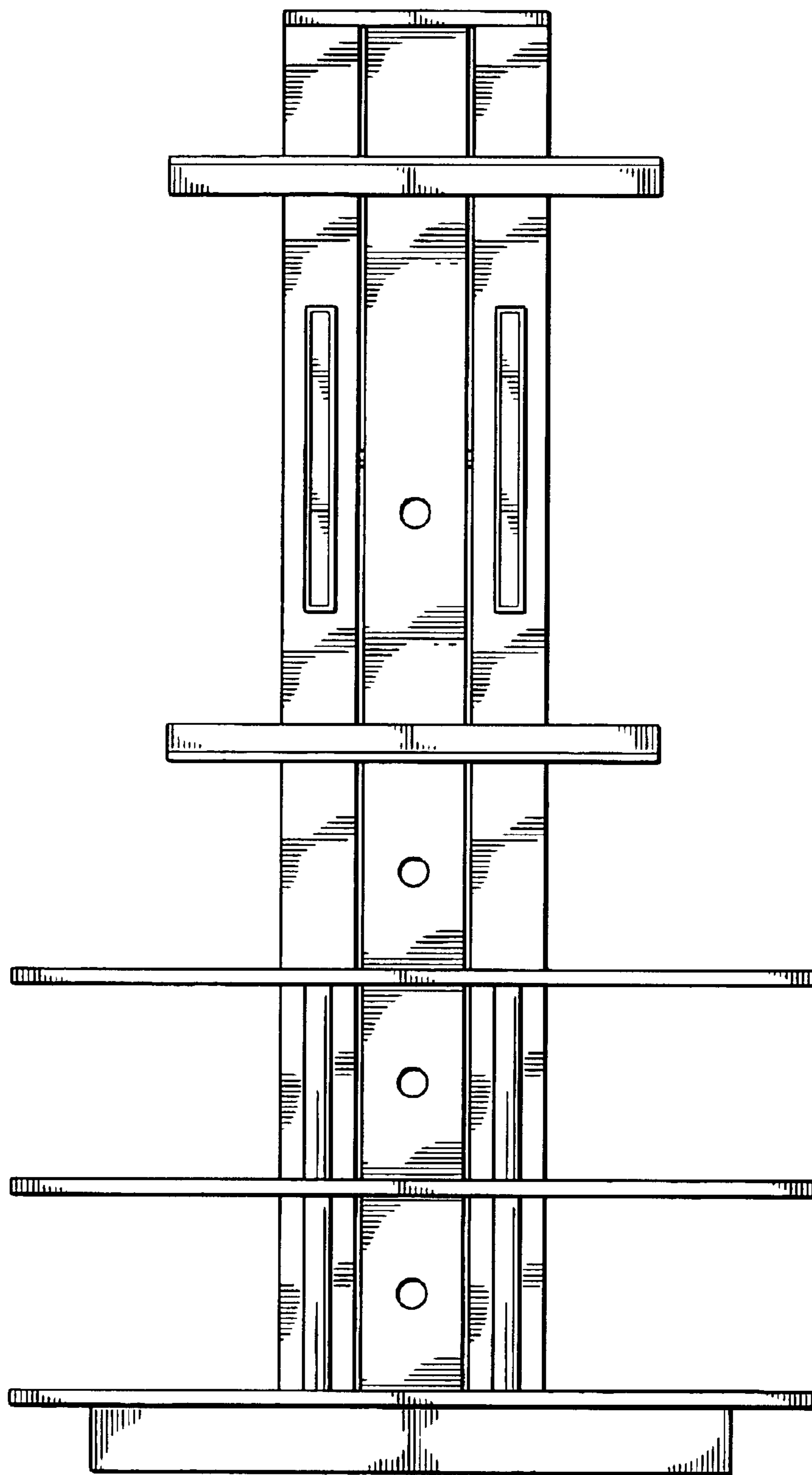


Fig. 2

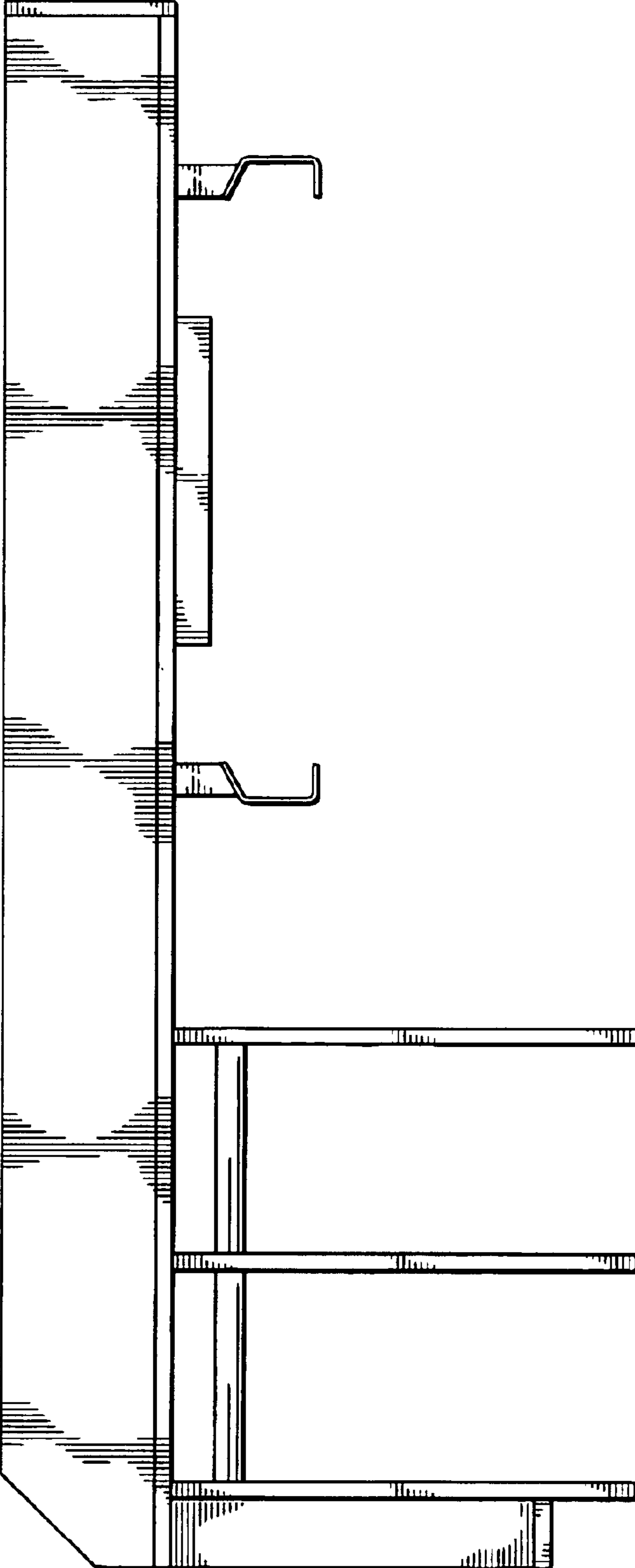


Fig. 3

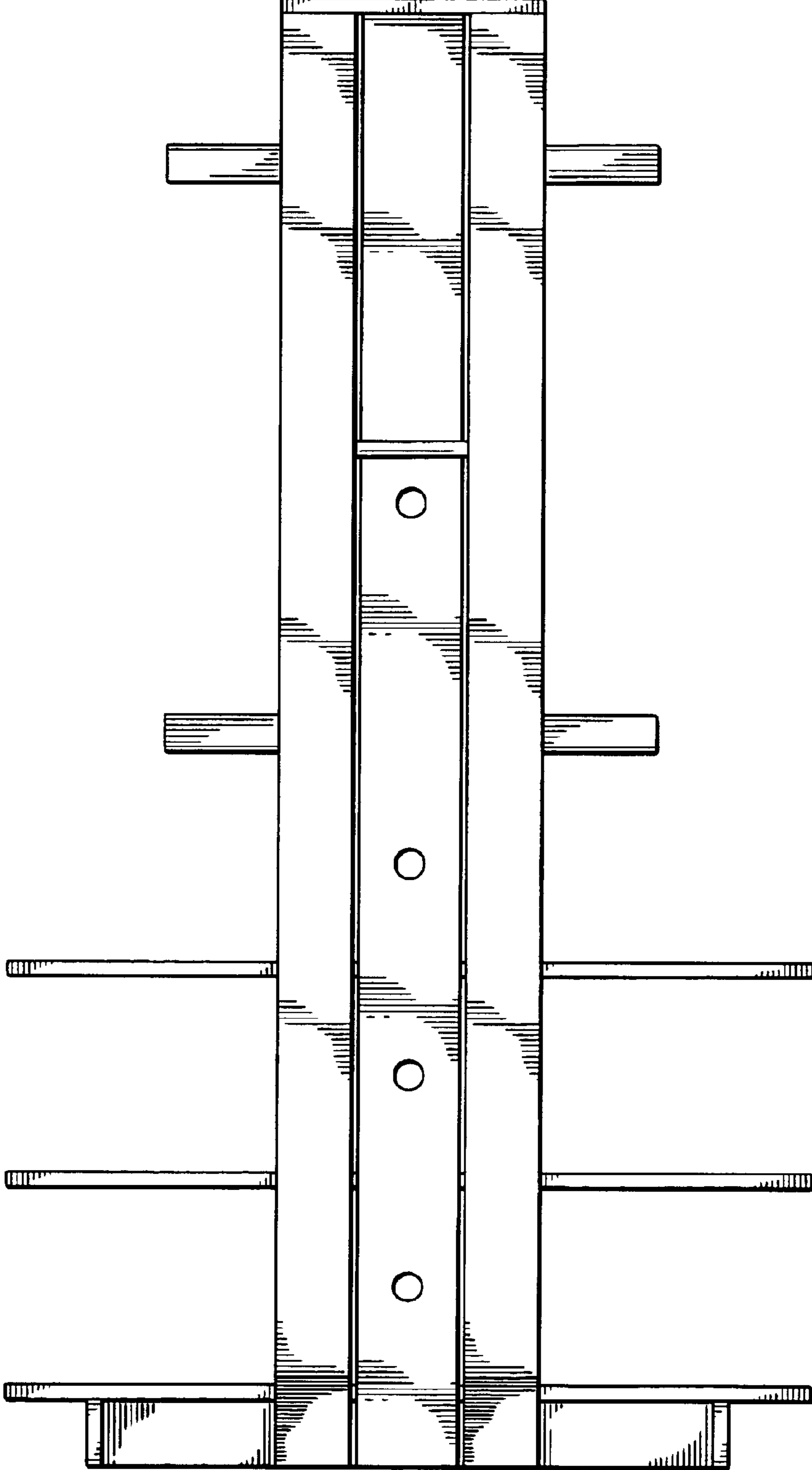


Fig. 4

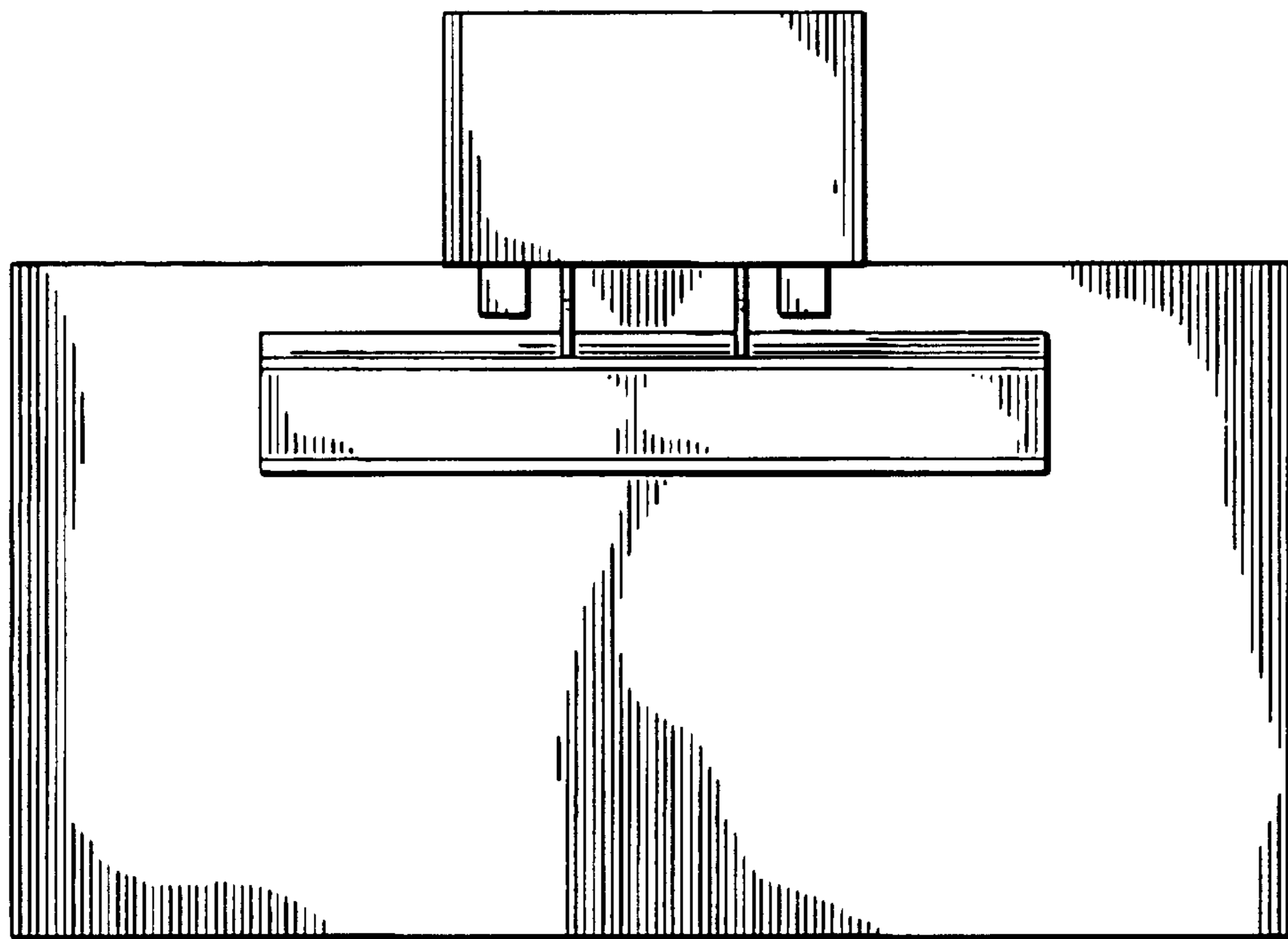


Fig. 5