

US00D495157S1

(12) **United States Design Patent**
Nastri

(10) **Patent No.:** **US D495,157 S**

(45) **Date of Patent:** **** Aug. 31, 2004**

(54) **SOFA**

(76) **Inventor:** **Giovanni Nastri**, Via Nazionale dei
Giovi 159, Lentate sul Seveso, Milano
(IT)

(**) **Term:** **14 Years**

(21) **Appl. No.:** **29/169,208**

(22) **Filed:** **Oct. 15, 2002**

(30) **Foreign Application Priority Data**

Apr. 15, 2002 (IT) MI2002O0274

(51) **LOC (7) Cl.** **06-01**

(52) **U.S. Cl.** **D6/381**

(58) **Field of Search** D6/334, 335, 364,
D6/371, 373, 381, 500, 501, 502; 5/12.1;
297/232

(56) **References Cited**

U.S. PATENT DOCUMENTS

D361,212 S * 8/1995 Gibson D6/334

D372,808 S * 8/1996 Natuzzi et al. D6/381
D409,014 S * 5/1999 Natuzzi et al. D6/381
D418,991 S * 1/2000 Natuzzi et al. D6/381
D424,316 S * 5/2000 Natuzzi et al. D6/381
D425,721 S * 5/2000 Natuzzi et al. D6/381
D430,738 S * 9/2000 Zaidman D6/334

* cited by examiner

Primary Examiner—Gary D. Watson

(74) *Attorney, Agent, or Firm*—Hedman & Costigan, P.C.

(57) **CLAIM**

The ornamental design for a sofa, as shown and described.

DESCRIPTION

FIG. 1 is a front perspective view of the sofa;
FIG. 2 is a front view of the said sofa;
FIG. 3 is a back view of the sofa;
FIG. 4 is a left side view of the sofa;
FIG. 5 is a right side view of the sofa;
FIG. 6 is a top view of the sofa; and,
FIG. 7 is a bottom view of the sofa.

1 Claim, 6 Drawing Sheets

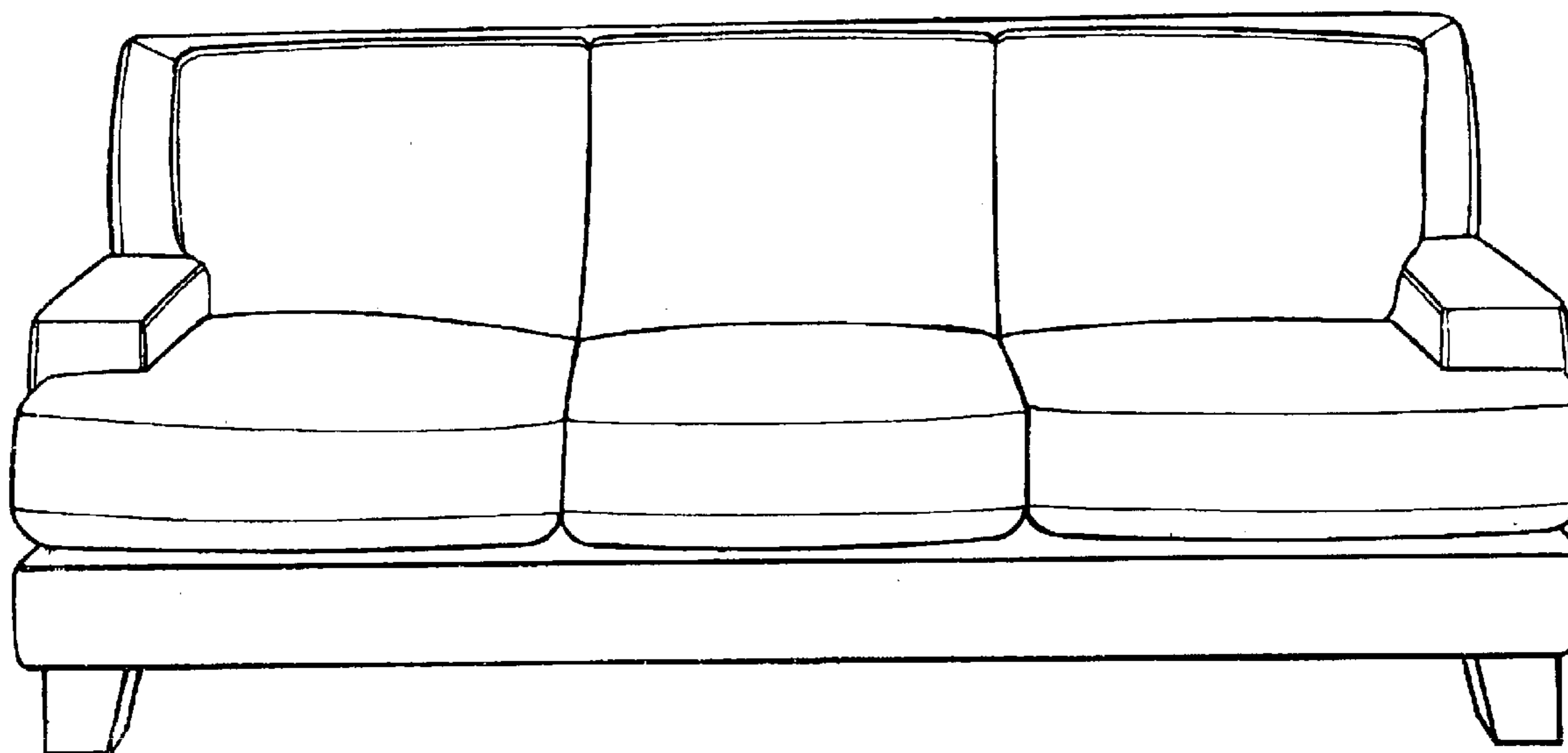


FIG. 1

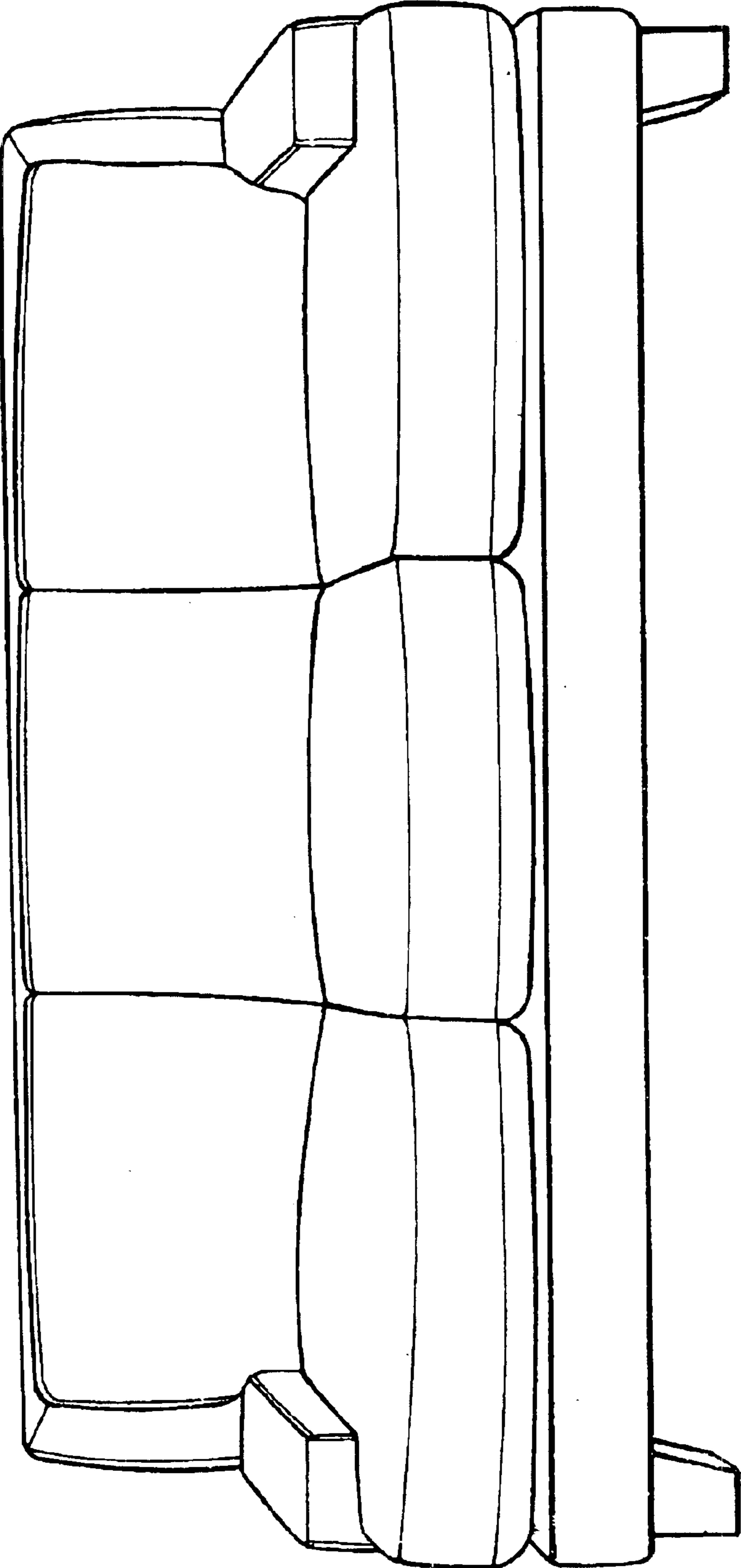


FIG. 2

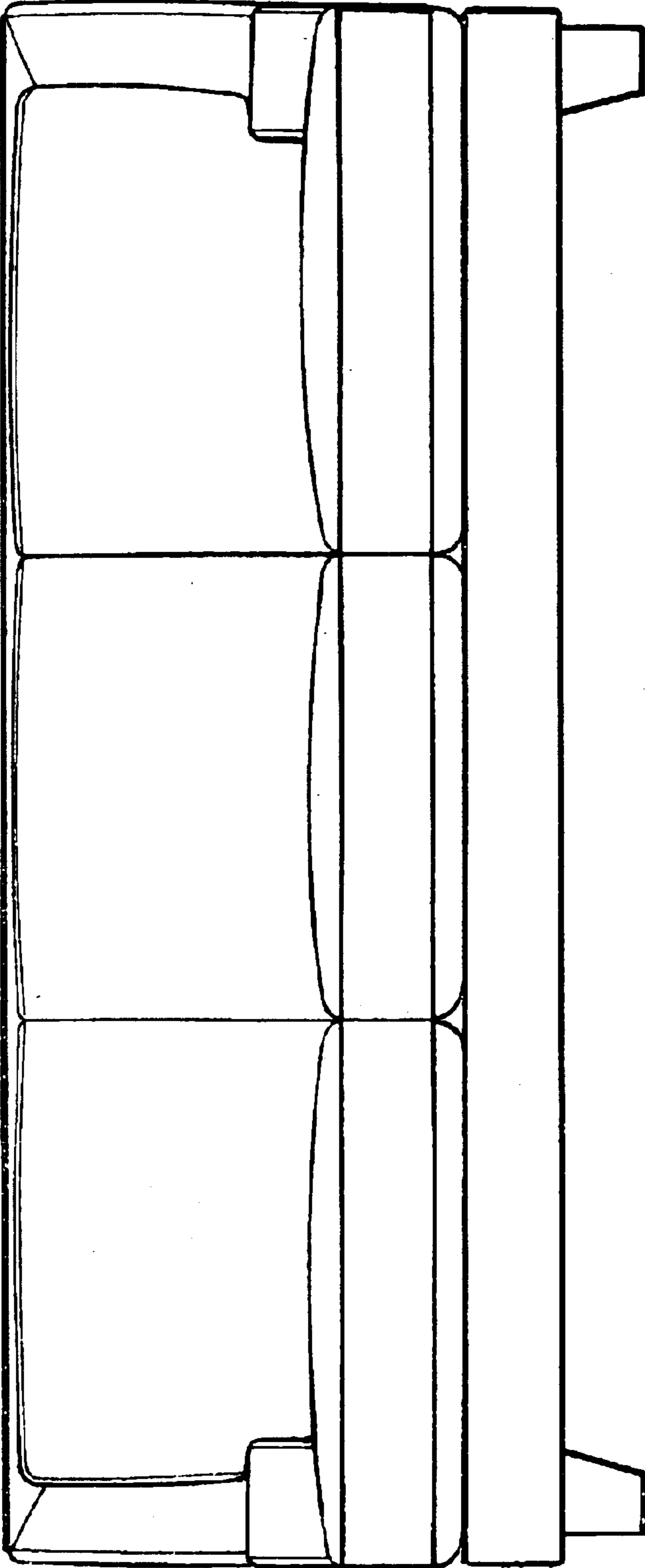


FIG. 3

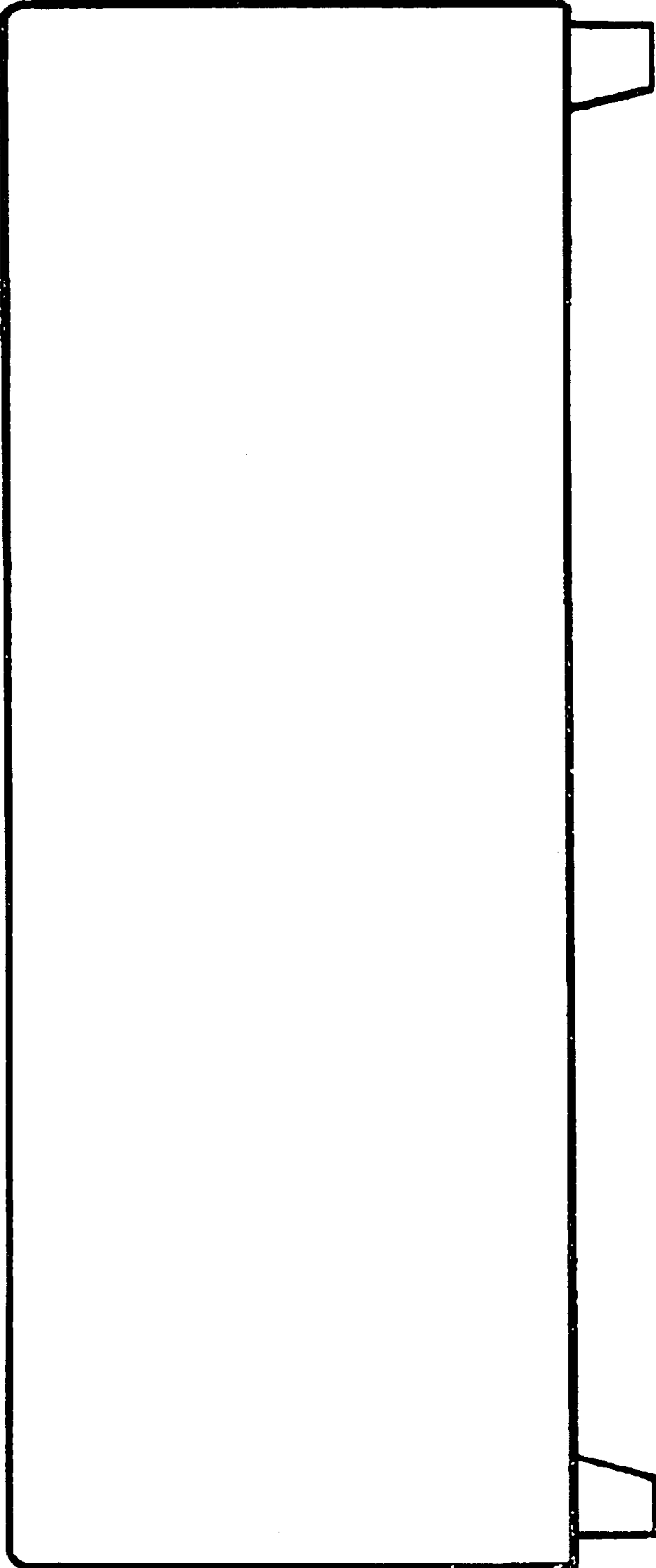


FIG. 4

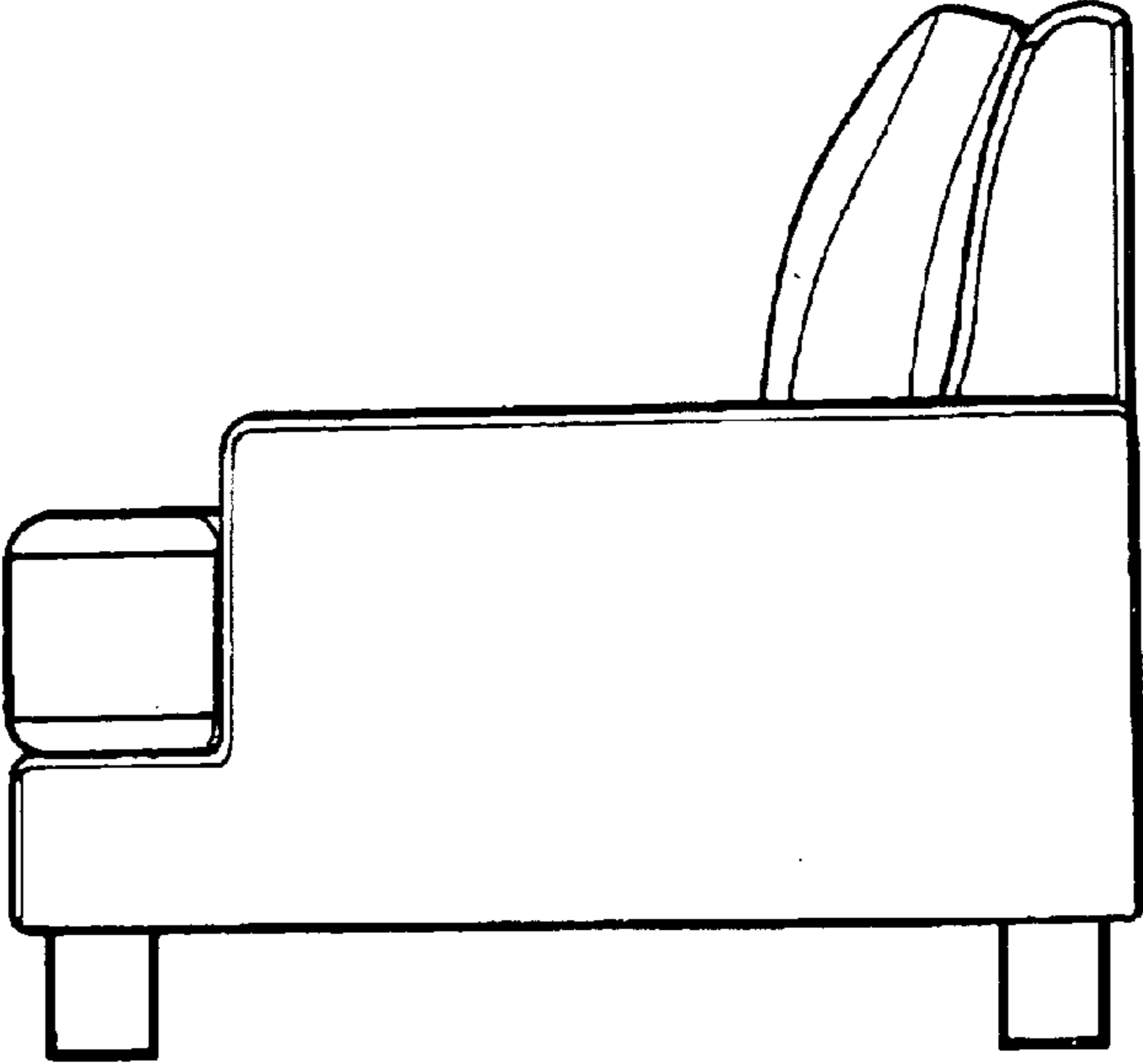


FIG. 5

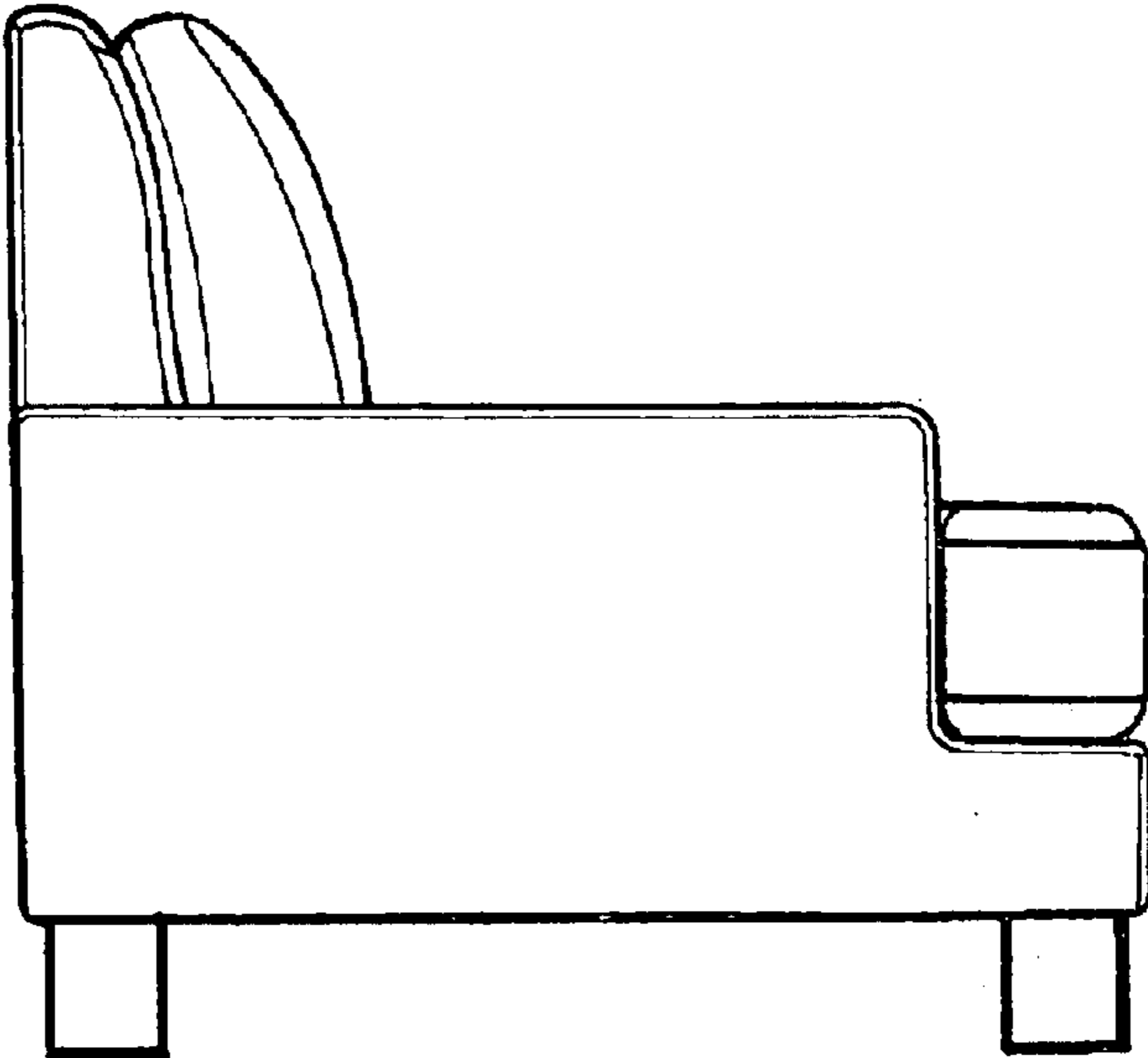


FIG. 6

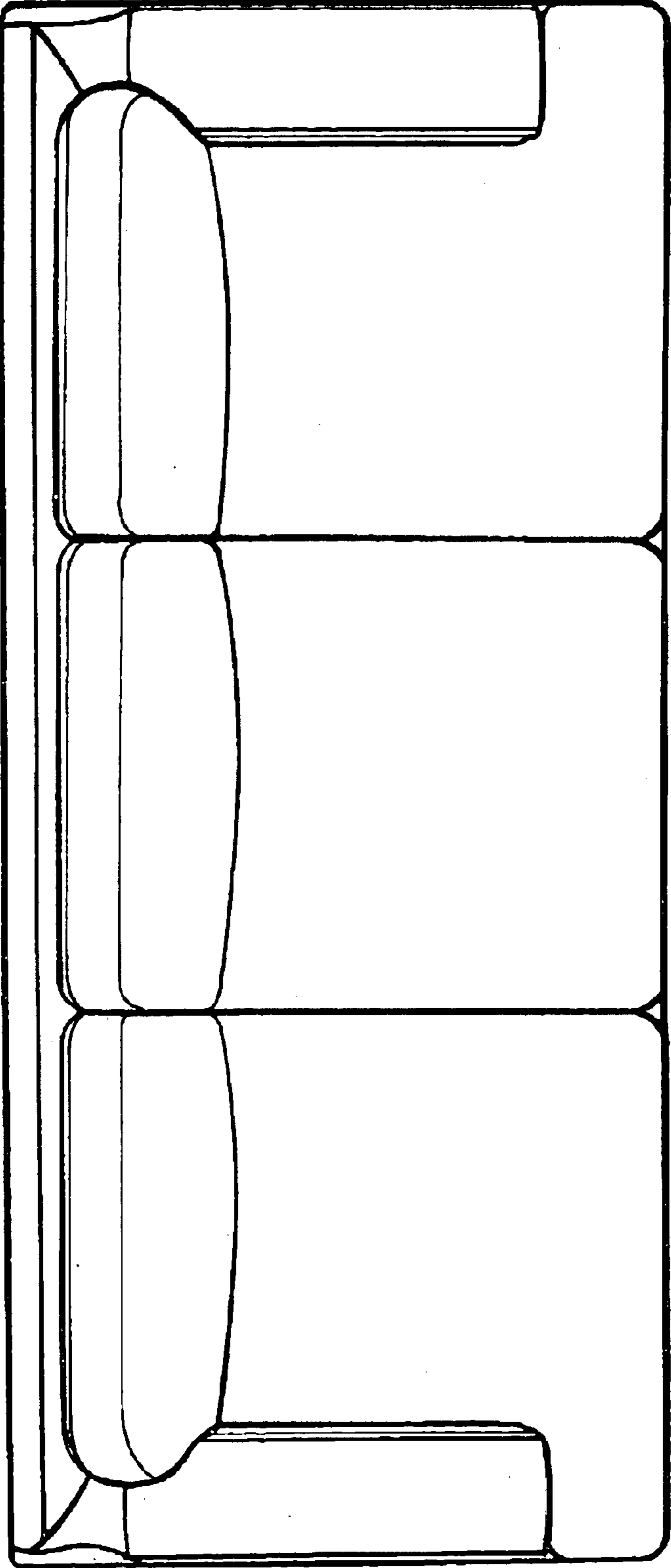


FIG. 7

