

US00D495152S1

(12) **United States Design Patent** (10) **Patent No.:** **US D495,152 S**
Pulini (45) **Date of Patent:** **** Aug. 31, 2004**

(54) **ADJUSTABLE MIRROR**

(76) **Inventor:** **Faifua Siosifa Pulini**, 3306 Doris St.,
Apt. 02, Anchorage, AK (US) 99517

(**) **Term:** **14 Years**

(21) **Appl. No.:** **29/186,276**

(22) **Filed:** **Jul. 14, 2003**

(51) **LOC (7) Cl.** **06-07**

(52) **U.S. Cl.** **D6/312**

(58) **Field of Search** D6/300-314, 419,
D6/418; 40/700, 711, 714-717, 722, 745,
748, 754, 755, 756, 790, 798; D19/90,
91; 248/447.1, 441.1, 463, 451, 452, 460

(56) **References Cited**

U.S. PATENT DOCUMENTS

2,267,132 A 12/1941 Pavenick
2,428,649 A 10/1947 Brown
3,104,830 A 9/1963 Rock

3,641,334 A 2/1972 Kipping
4,751,618 A 6/1988 Iacovelli
5,428,484 A 6/1995 Baker
D424,814 S * 5/2000 Fanioudakis D6/312
2001/0035486 A1 * 11/2001 Pryor 248/441.1

* cited by examiner

Primary Examiner—Janice Seeger

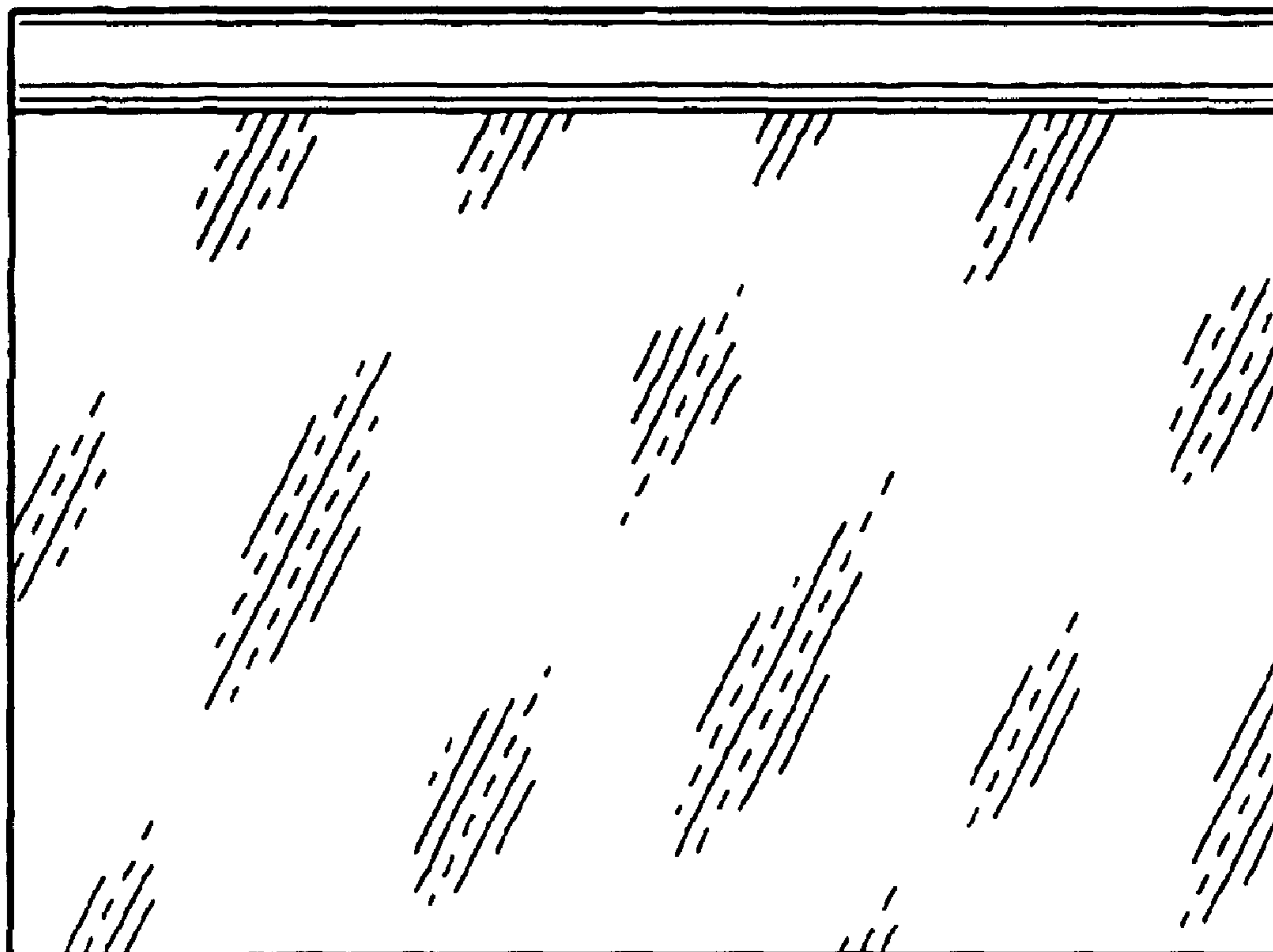
(57) **CLAIM**

The ornamental design for an adjustable mirror, as shown and described.

DESCRIPTION

FIG. 1 is a front elevational view of an adjustable mirror showing my new design;
FIG. 2 is a rear elevational view thereof;
FIG. 3 is a side elevational view thereof;
FIG. 4 is a top plan view thereof;
FIG. 5 is a bottom plan view thereof; and,
FIG. 6 is a perspective view thereof.

1 Claim, 3 Drawing Sheets



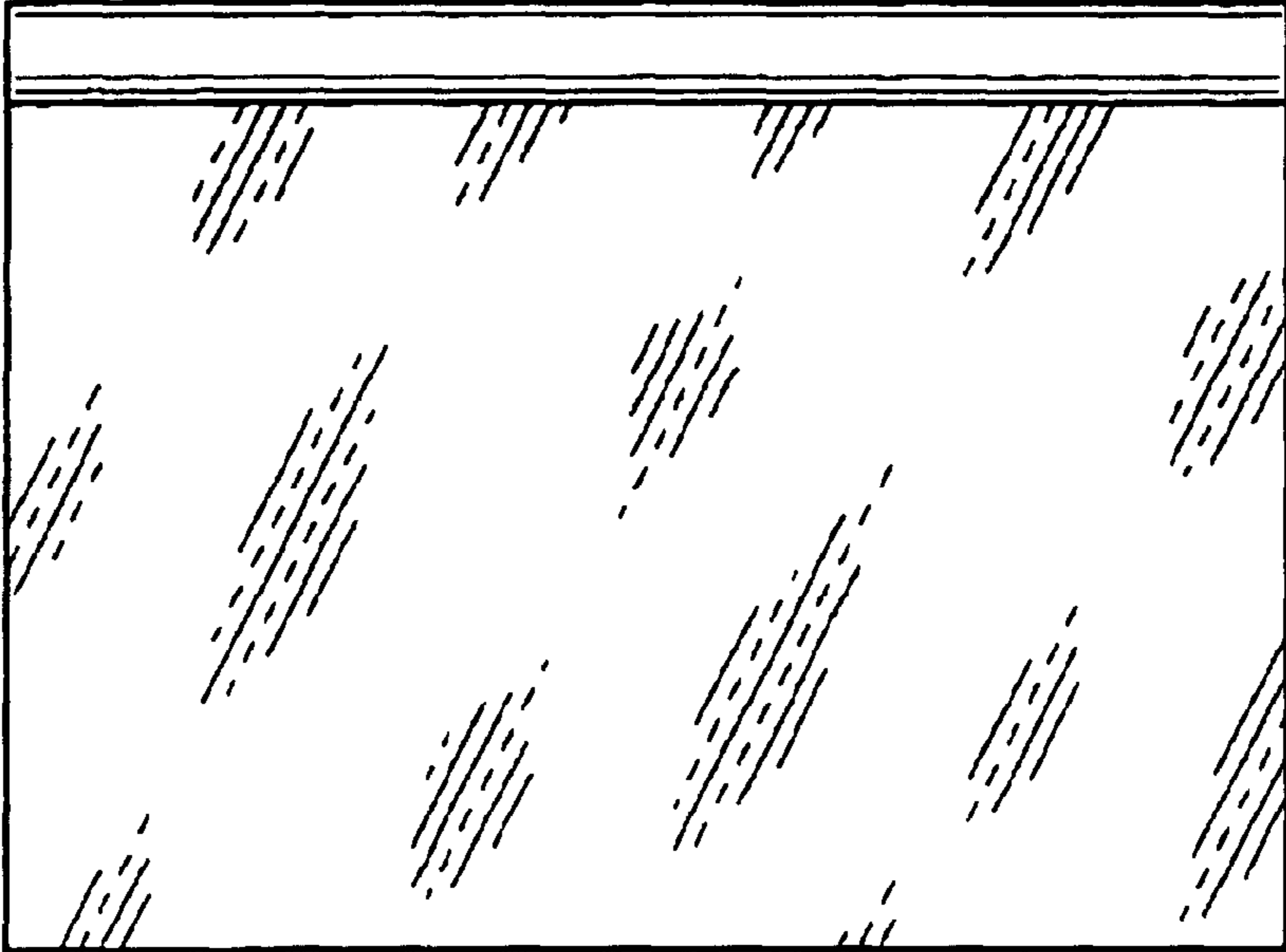


FIG. 1

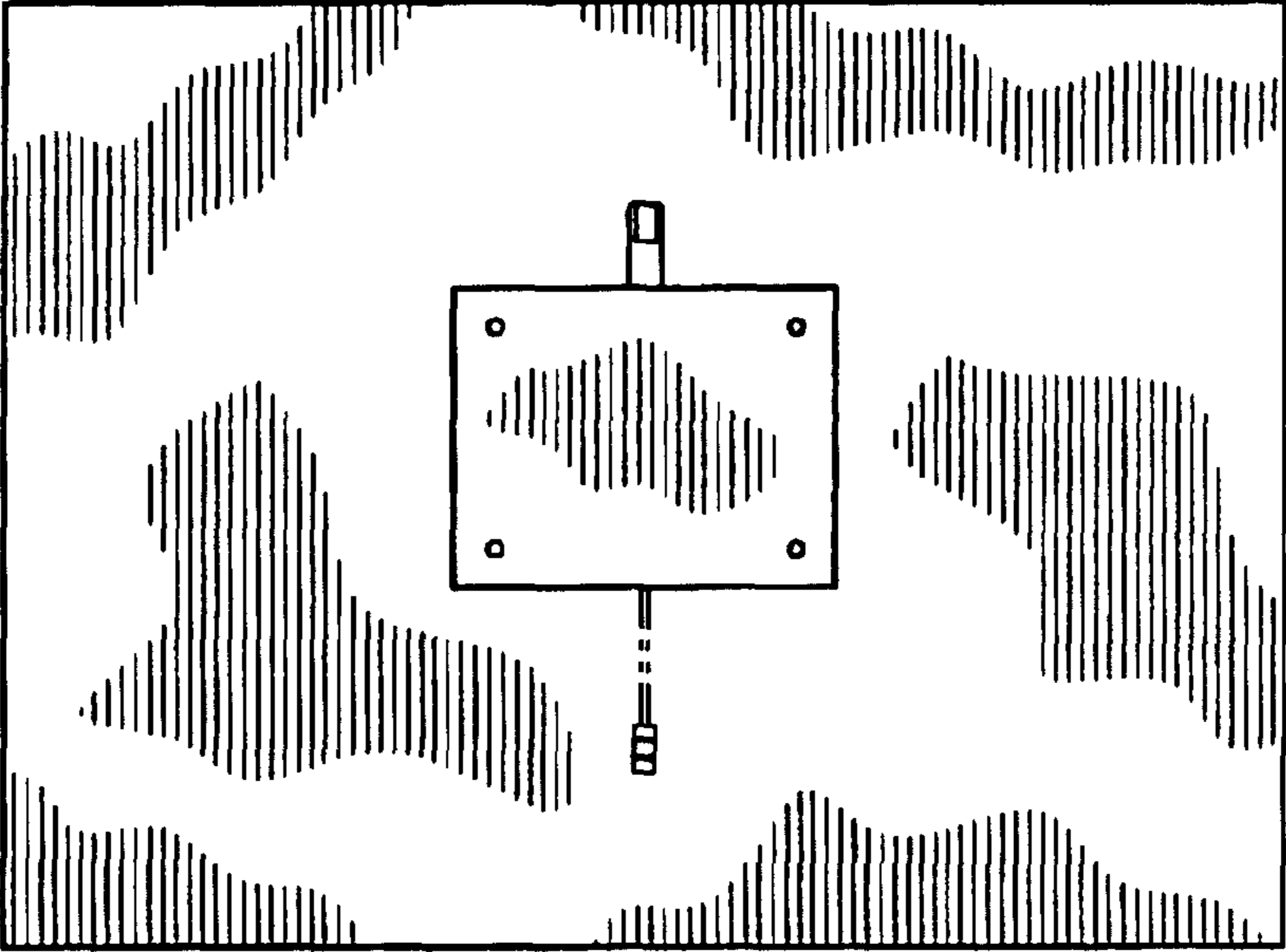


FIG. 2

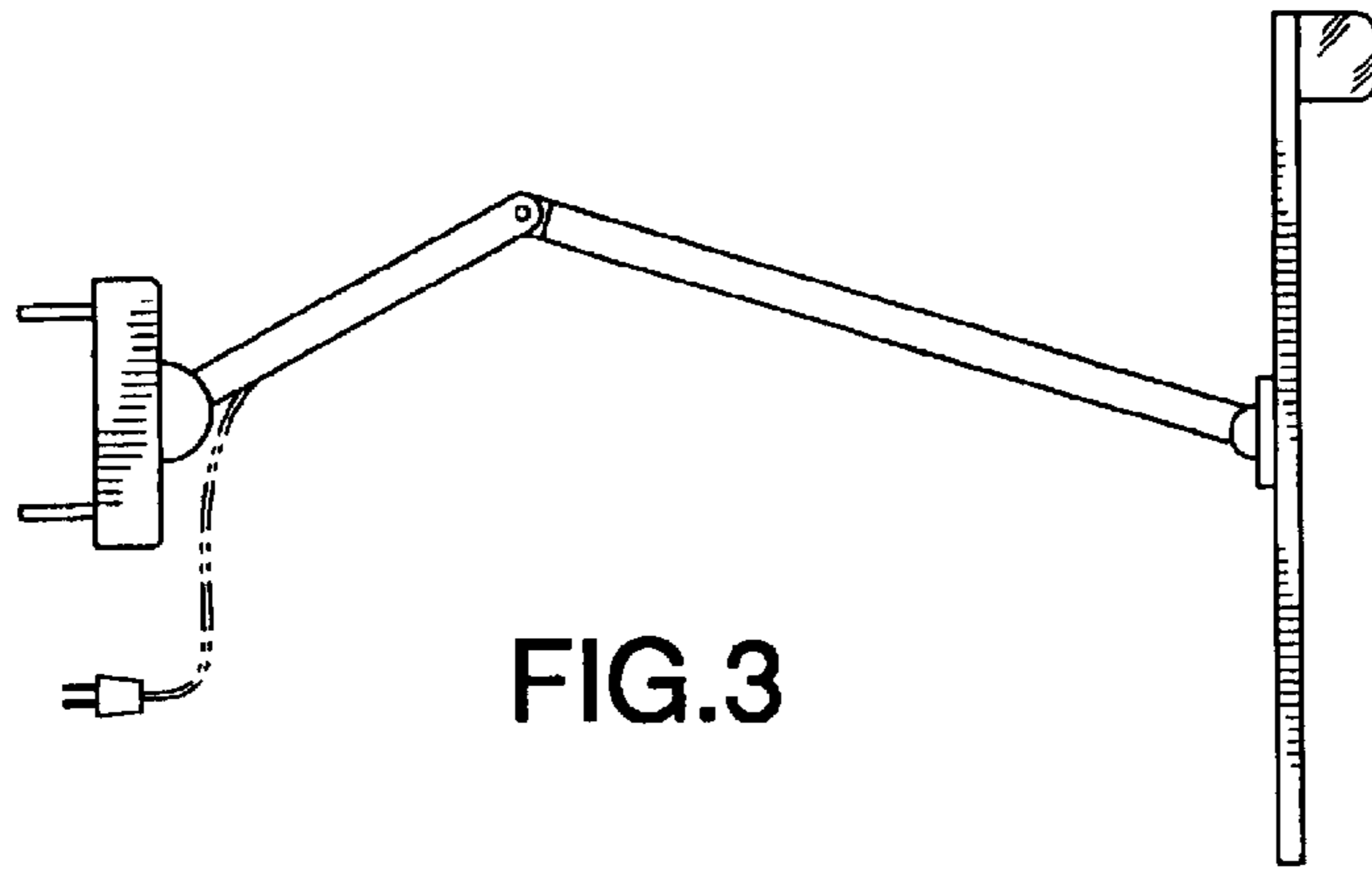


FIG. 3

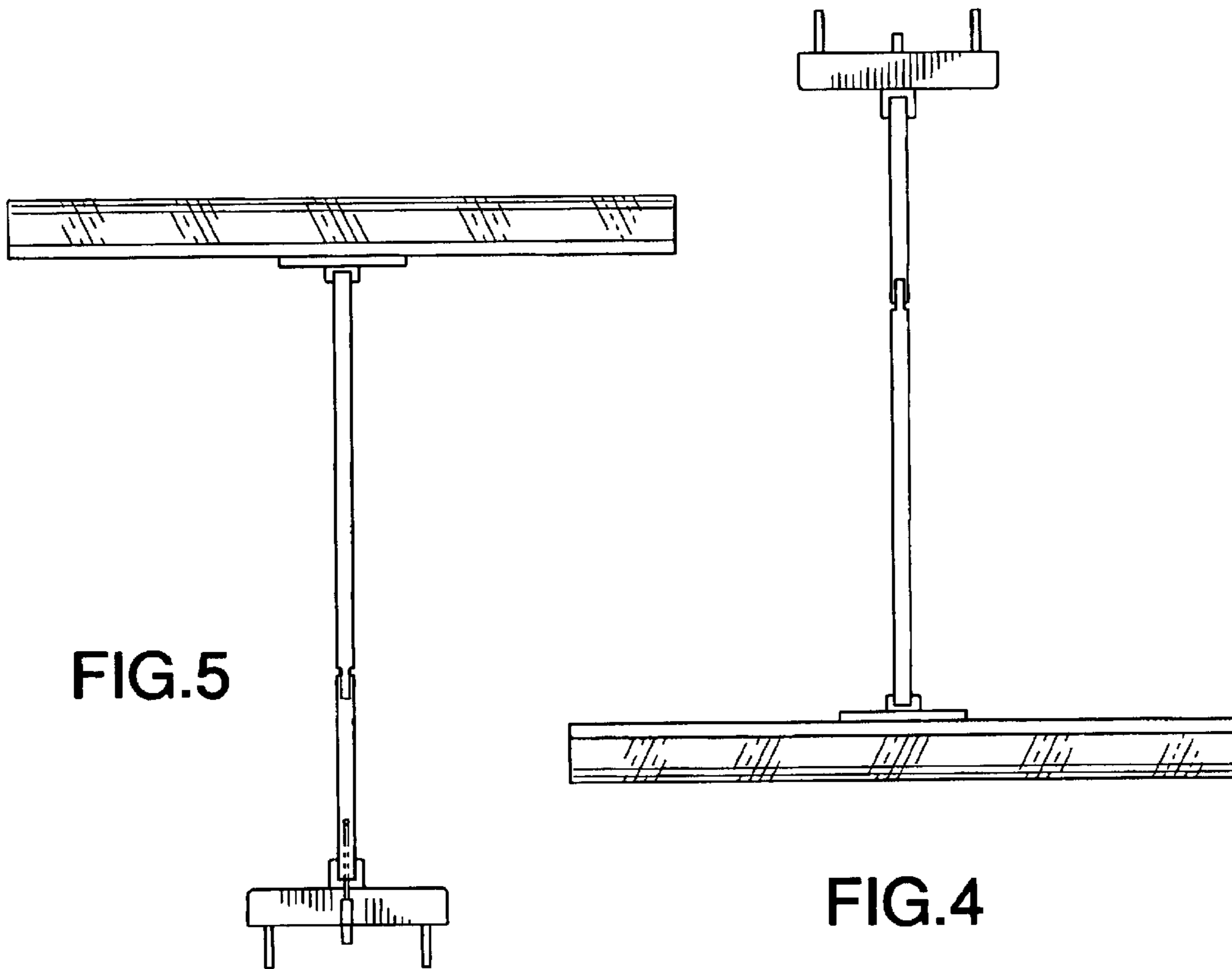


FIG. 5

FIG. 4

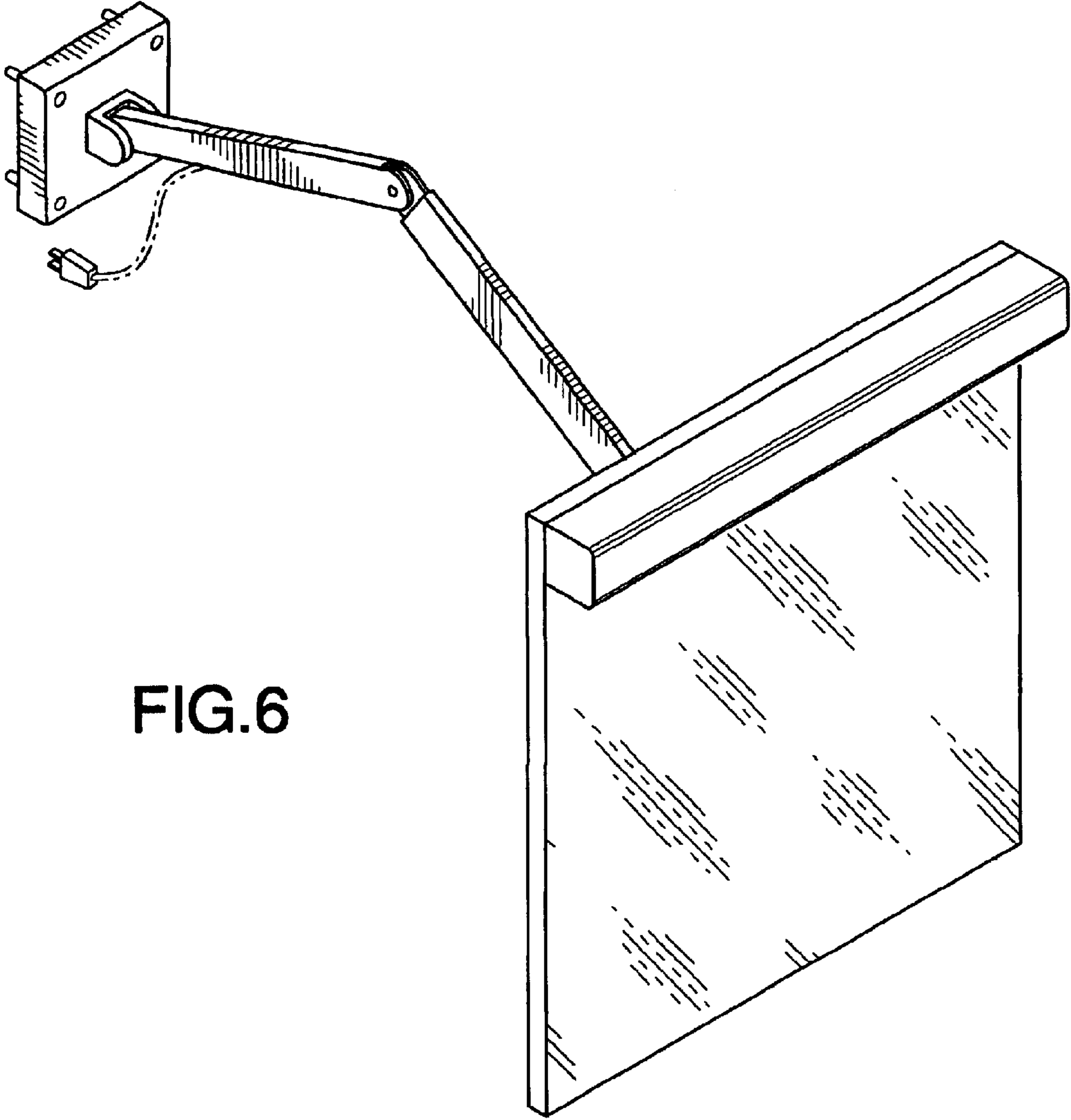


FIG.6