

US00D495151S1

(12) **United States Design Patent**
Porter

(10) **Patent No.:** **US D495,151 S**

(45) **Date of Patent:** **** Aug. 31, 2004**

(54) **END FRAME FOR A FUTON**

(75) Inventor: **Howard Porter**, Kuala Lumpur (MY)

(73) Assignee: **Night and Day Furniture LLC**,
Vancouver, WA (US)

(**) Term: **14 Years**

(21) Appl. No.: **29/179,290**

(22) Filed: **Apr. 9, 2003**

(51) **LOC (7) Cl.** **06-01**

(52) **U.S. Cl.** **D6/292; D6/381**

(58) **Field of Search** D6/334, 335, 369,
D6/381, 492, 500, 501, 502; 297/451.9,
452.64; 5/12.1

(56) **References Cited**

U.S. PATENT DOCUMENTS

D463,690 S	*	10/2002	Pathiratne	D6/492
D464,512 S	*	10/2002	Pathiratne	D6/492
D480,584 S	*	10/2003	Pathiratne	D6/492
D482,911 S	*	12/2003	Pathiratne	D6/492

* cited by examiner

Primary Examiner—Gary D. Watson

(74) *Attorney, Agent, or Firm*—Harness Dickey

(57) **CLAIM**

The ornamental design for an end frame for a futon, as shown and described.

DESCRIPTION

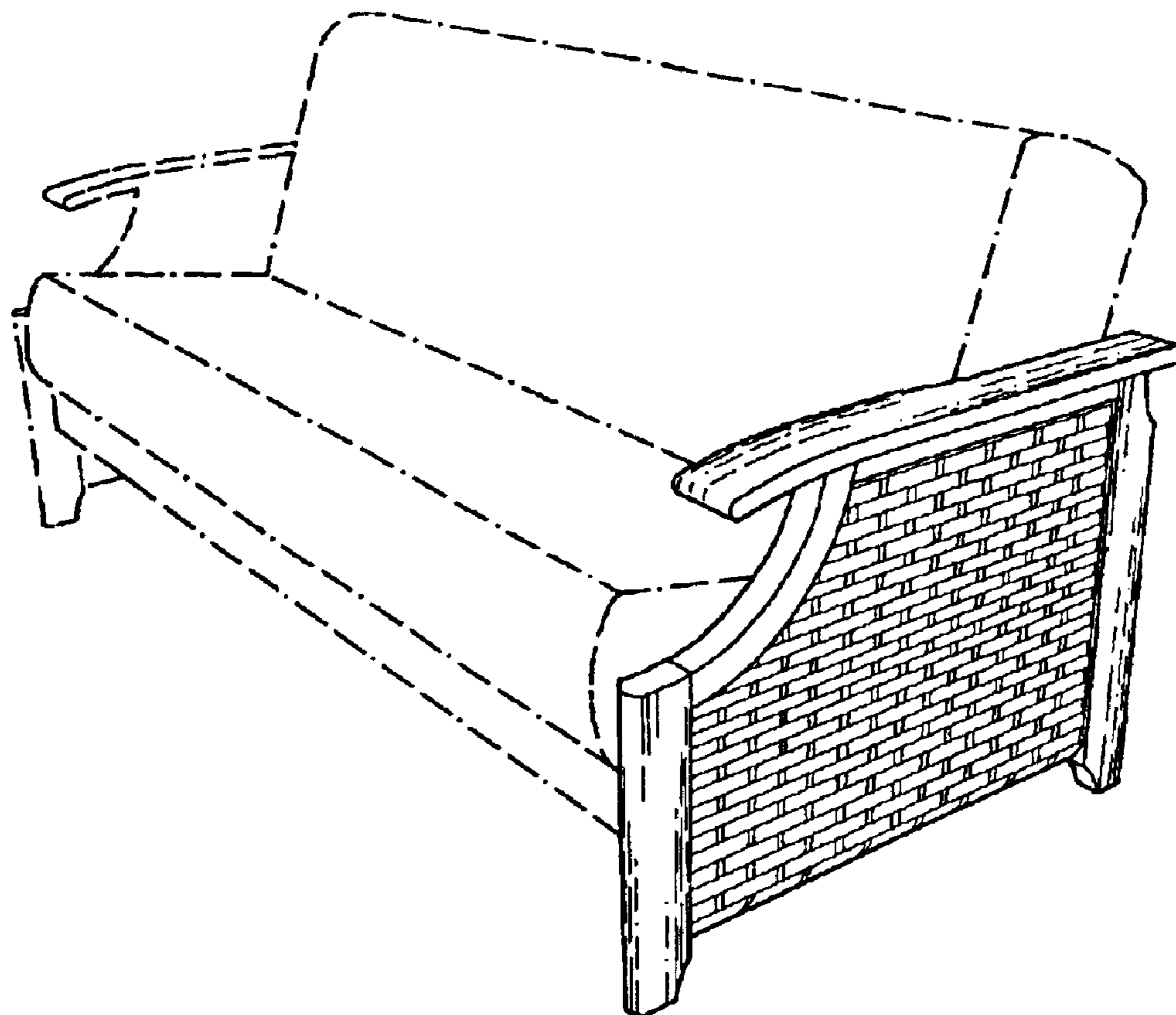
FIG. 1 is a perspective view of an end frame for a futon illustrating the features of the invention relating to the end portion in solid lines, and in broken lines to show the environment in which the invention is claimed, with the broken lines not forming a part of the claimed design;

FIG. 2 is a frontal view of the end frame shown in FIG. 1, with the understanding that the back view is a mirror image of the frontal view;

FIG. 3 is an end view of the end frame shown in FIG. 2; and, FIG. 4 is an end view of the end frame shown in FIG. 2, taken from the opposing end of the end view shown in FIG. 3.

It is submitted that the bottom view of the end frame does not form any part of the claimed design.

1 Claim, 1 Drawing Sheet



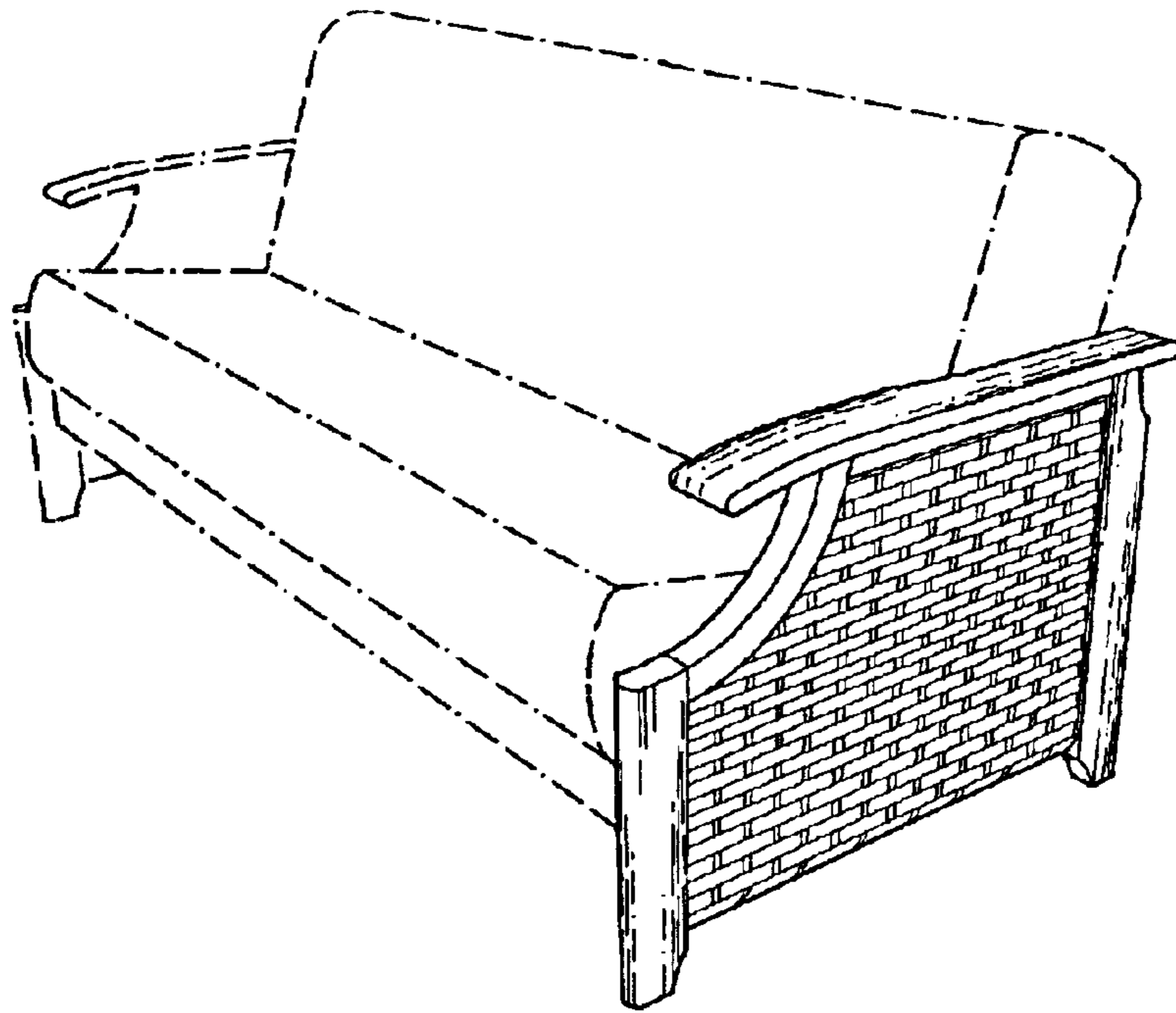


FIG. 1



FIG. 3

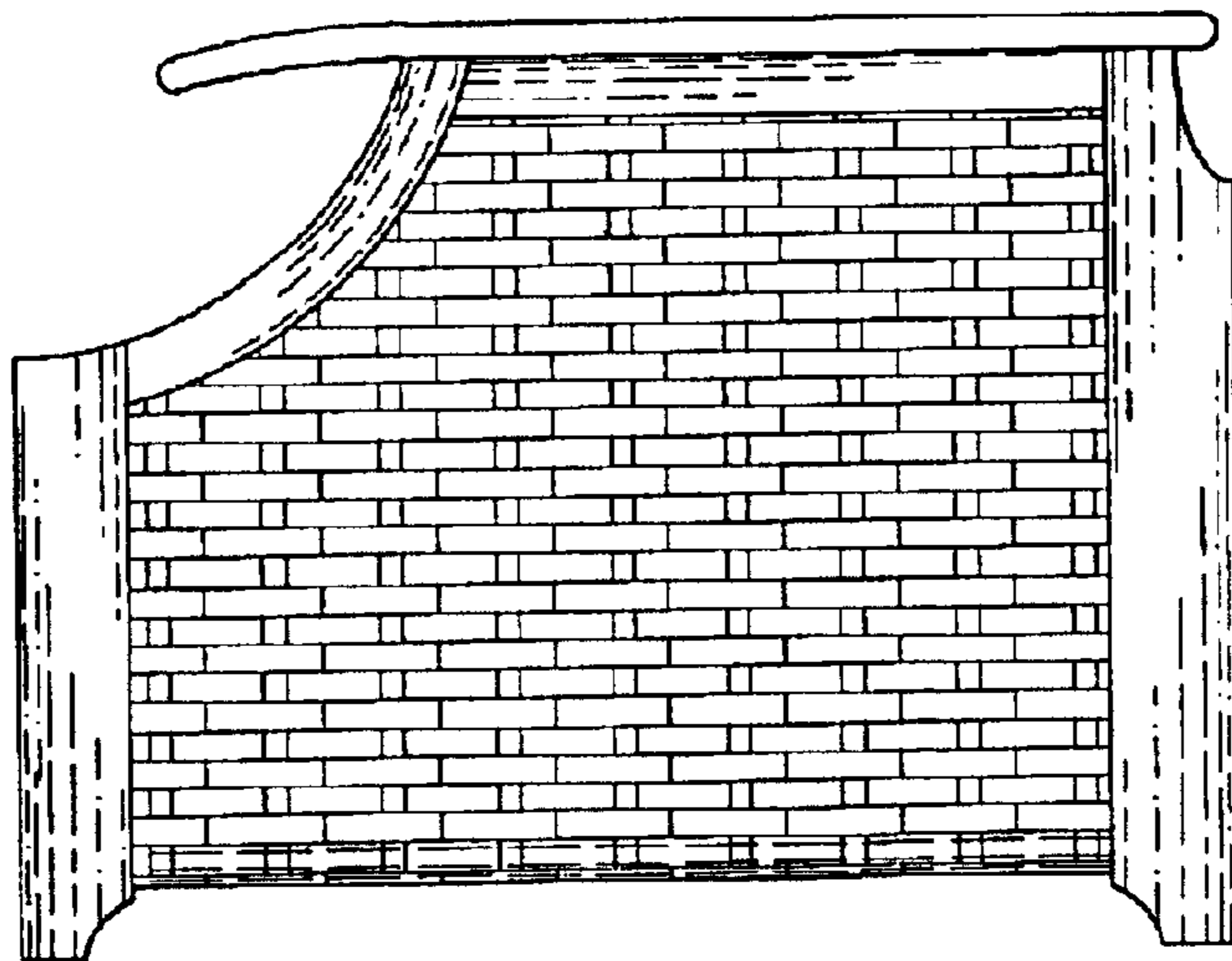


FIG. 2



FIG. 4