

US00D495144S1

(12) **United States Design Patent**
Burkhart

(10) **Patent No.:** **US D495,144 S**

(45) **Date of Patent:** **** Aug. 31, 2004**

(54) **SELF CONTAINED TOOTHBRUSH**

D397,554 S * 9/1998 Sprague D4/108
5,918,995 A * 7/1999 Puurunen 401/146
D426,708 S * 6/2000 Francis D4/108

(76) **Inventor:** **Scott Thomas Burkhart**, 213 Longleaf Ct., Aiken, SC (US) 29803

FOREIGN PATENT DOCUMENTS

(**) **Term:** **14 Years**

GB 2201887 A * 9/1988 A46B/11/02

(21) **Appl. No.:** **29/175,410**

* cited by examiner

(22) **Filed:** **Feb. 5, 2003**

Primary Examiner—Alan P. Douglas

Assistant Examiner—Lavone D. Tabor

(51) **LOC (7) Cl.** **04-02**

(74) *Attorney, Agent, or Firm*—Richard L. Mikesell

(52) **U.S. Cl.** **D4/108**

(57) **CLAIM**

(58) **Field of Search** D4/104–112, 114,
D4/134, 138; 15/143.1, 167.1, 167.2; 132/308,
311; 401/146, 184, 186, 188 R, 190, 268,
270, 278, 279, 286, 287

The ornamental design for a self contained toothbrush, as shown and described.

DESCRIPTION

(56) **References Cited**

FIG. 1 is a top, right side, and rear end perspective view of a self contained toothbrush showing my new design;
FIG. 2 is a left side elevation view thereof;
FIG. 3 is a bottom plan view thereof; and,
FIG. 4 is a front end elevation view thereof.

U.S. PATENT DOCUMENTS

2,652,949 A * 9/1953 Martin 132/308 X
2,660,745 A * 12/1953 Yusko 15/167.1
3,400,996 A * 9/1968 Vandergrift 401/184
5,338,124 A * 8/1994 Spicer et al. 401/146 X
5,407,287 A * 4/1995 Braun et al. 401/188 R X

1 Claim, 1 Drawing Sheet

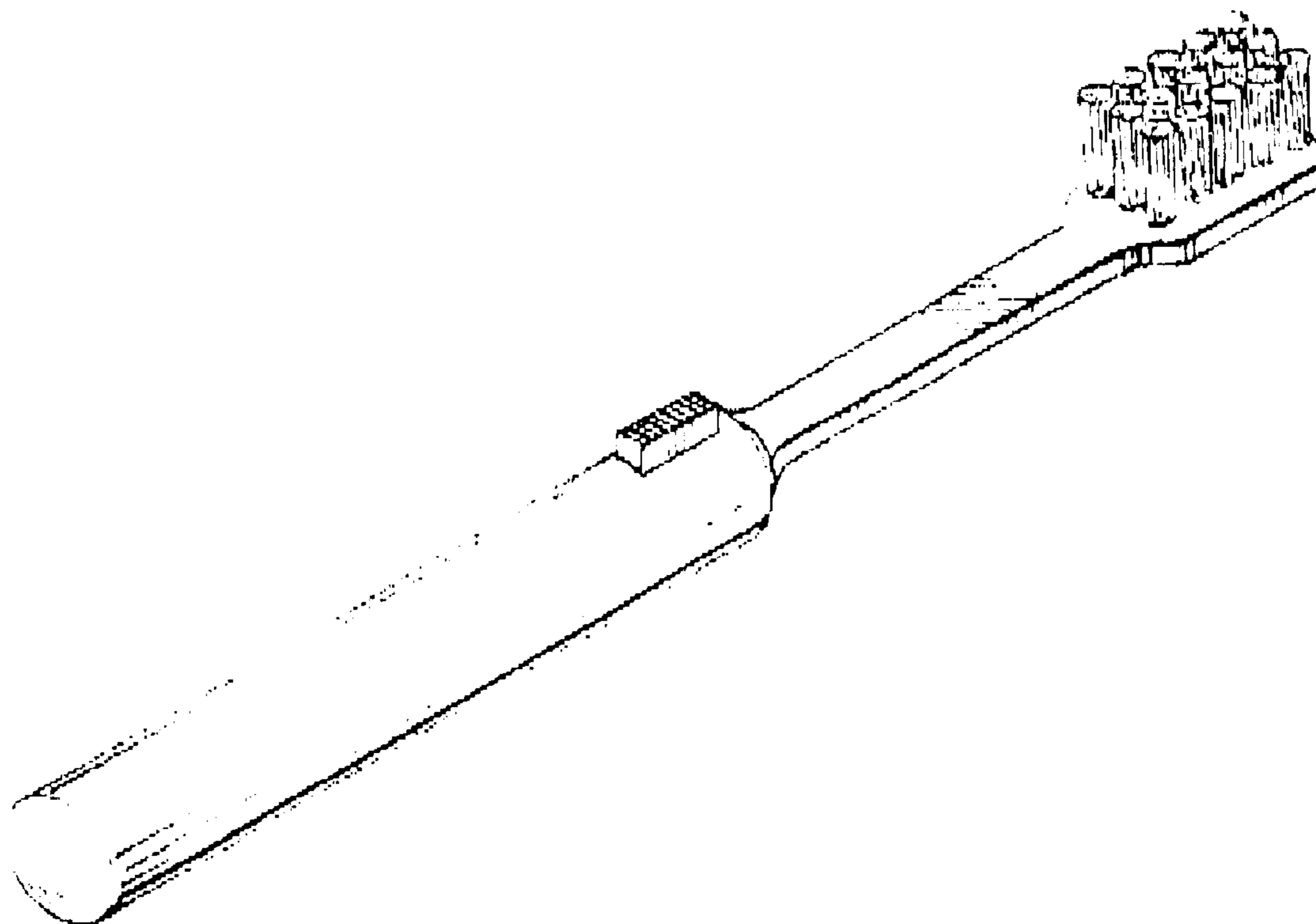


FIG. 1

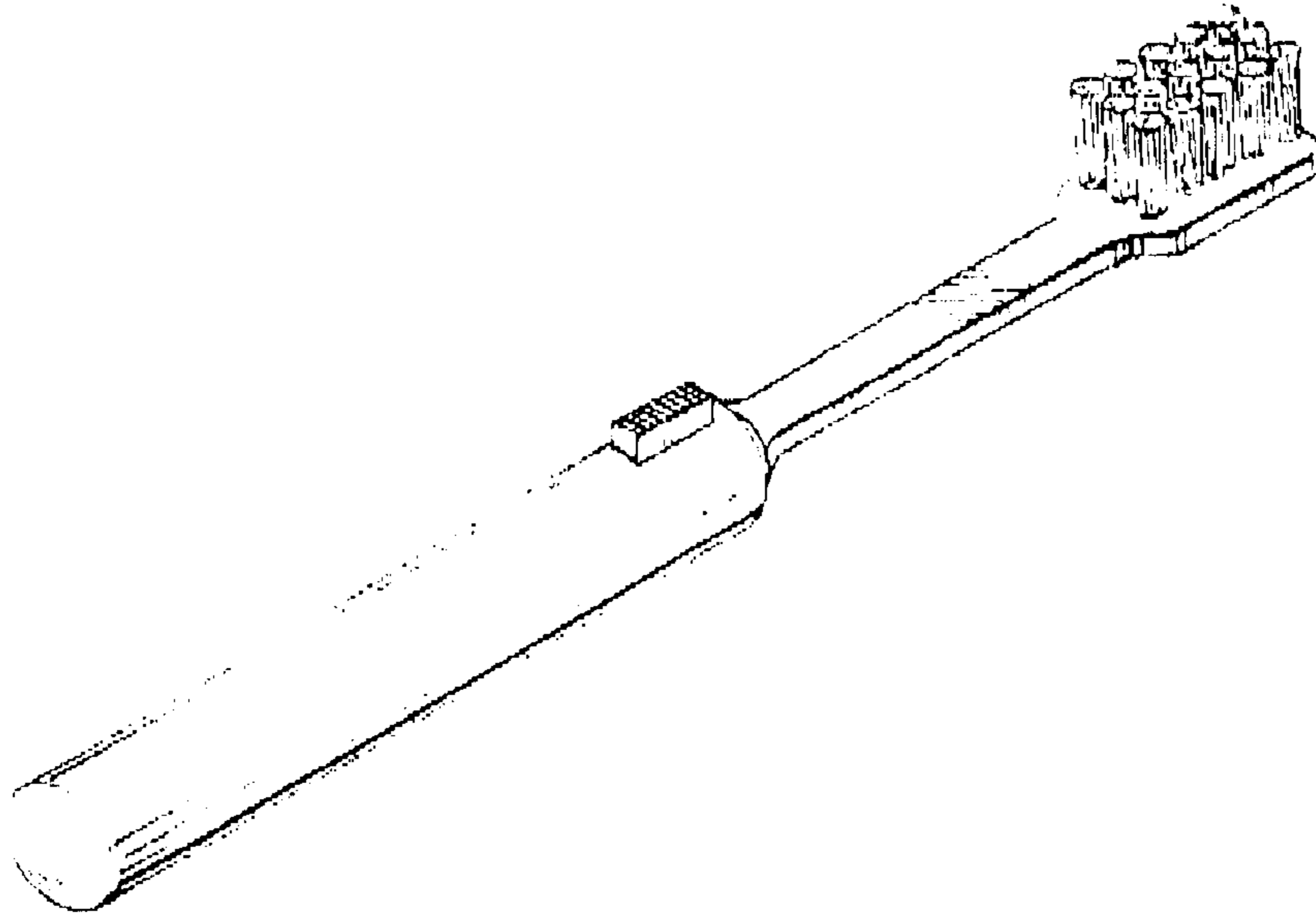


FIG. 2

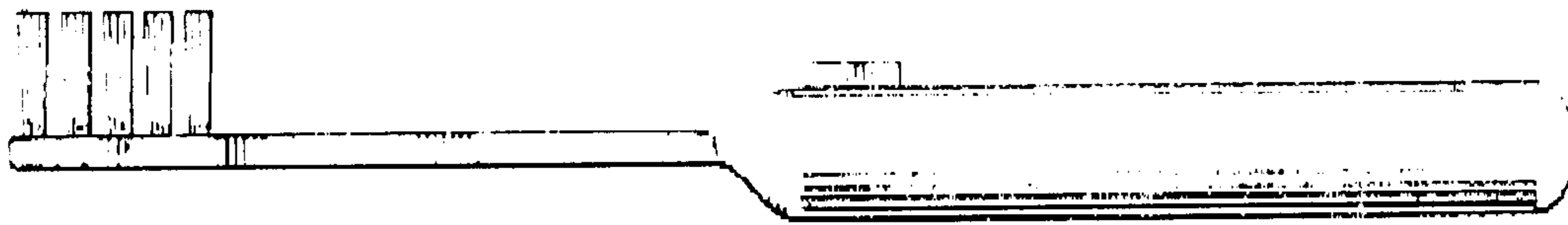


FIG. 3

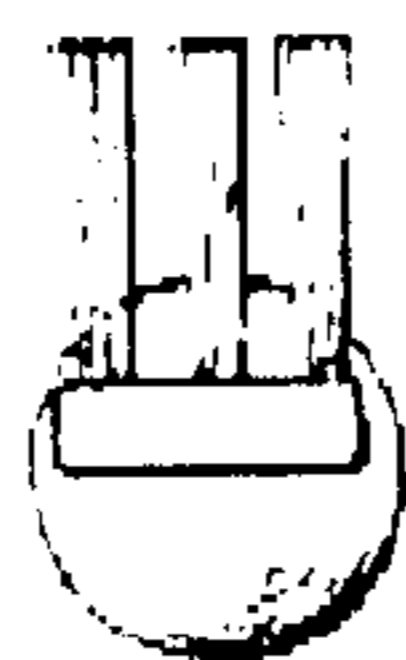


FIG. 4