

US00D495136S1

(12) **United States Design Patent**
Greene

(10) **Patent No.:** **US D495,136 S**

(45) **Date of Patent:** **** Aug. 31, 2004**

(54) **DECK BOX**

(75) Inventor: **Michael Greene**, Reno, NV (US)

(73) Assignee: **Thinking Outside, L.L.C.**, Detroit, MI (US)

(**) Term: **14 Years**

(21) Appl. No.: **29/189,993**

(22) Filed: **Sep. 11, 2003**

(51) **LOC (7) Cl.** **03-01**

(52) **U.S. Cl.** **D3/273**

(58) **Field of Search** D3/272, 273, 276,
D3/294, 295, 905; D9/420, 424, 426; D6/432;
D25/16; 206/315.1, 349, 373, 508; 312/203,
204

(56) **References Cited**

U.S. PATENT DOCUMENTS

D374,774 S	*	10/1996	Cassel	D3/294
D381,512 S	*	7/1997	Green	D3/294
D389,646 S	*	1/1998	Sankey et al.	D3/294
D393,724 S	*	4/1998	Sagol	D25/16
D399,654 S	*	10/1998	Mandell	D3/294

D408,631 S	*	4/1999	Dickinson et al.	D3/302
D411,625 S	*	6/1999	Fuller et al.	D25/56
D421,181 S	*	2/2000	Tisbo et al.	D3/273
D429,418 S	*	8/2000	Tisbo et al.	D3/272
D444,626 S	*	7/2001	Anderson et al.	D3/273
D448,166 S	*	9/2001	Zimmerman	D3/273

* cited by examiner

Primary Examiner—Philip S. Hyder

(74) *Attorney, Agent, or Firm*—Townsend and Townsend and Crew LLP

(57) **CLAIM**

The ornamental design for deck box, as shown and described.

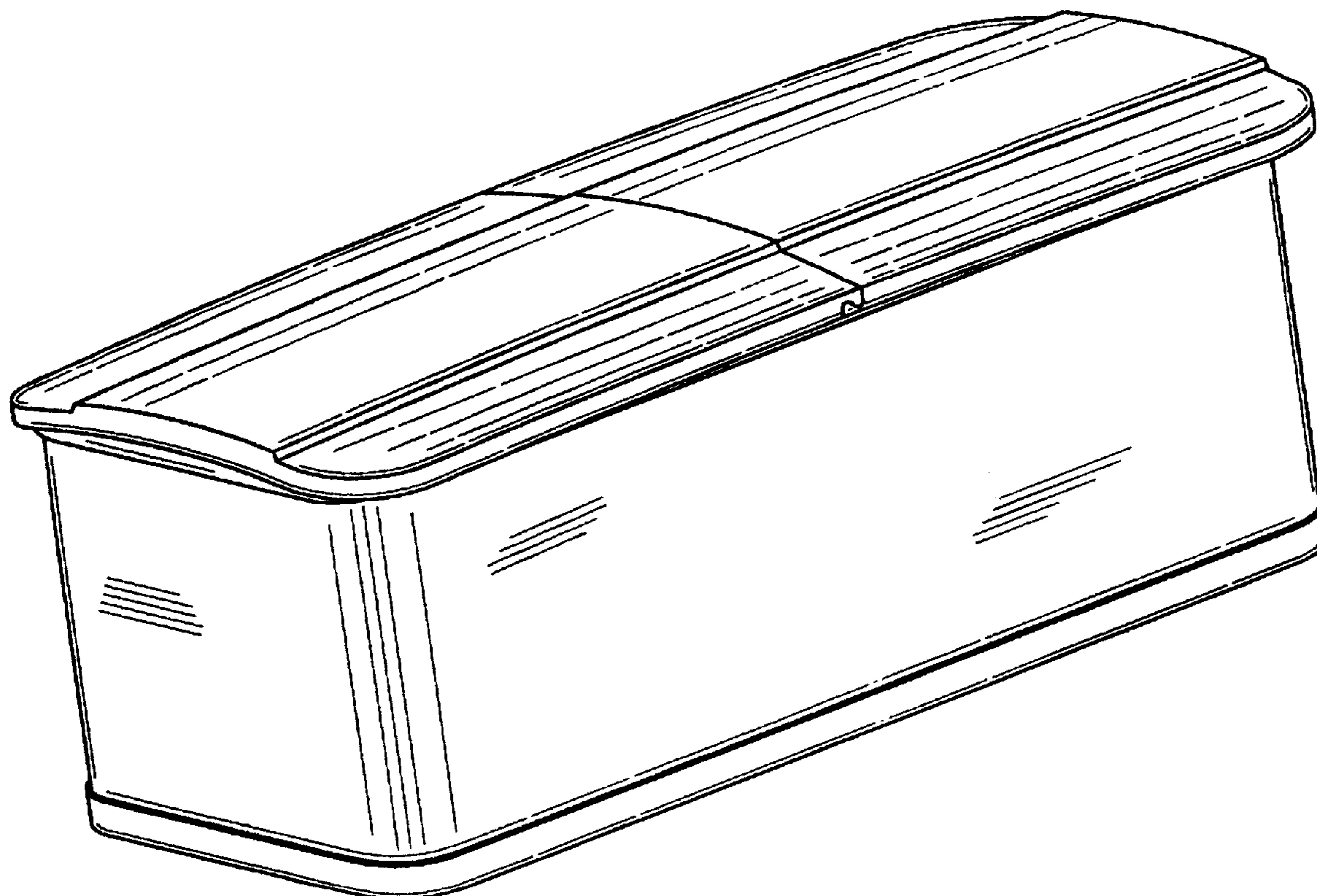
DESCRIPTION

FIG. 1 is a perspective view of a deck box showing my new design; and,

FIG. 2 is a front elevational view, the rear elevational view being a mirror image thereof.

Phantom lining, where utilized, is for illustrative purposes only, and is not intended to limit the claimed component design to the features shown in phantom.

1 Claim, 2 Drawing Sheets



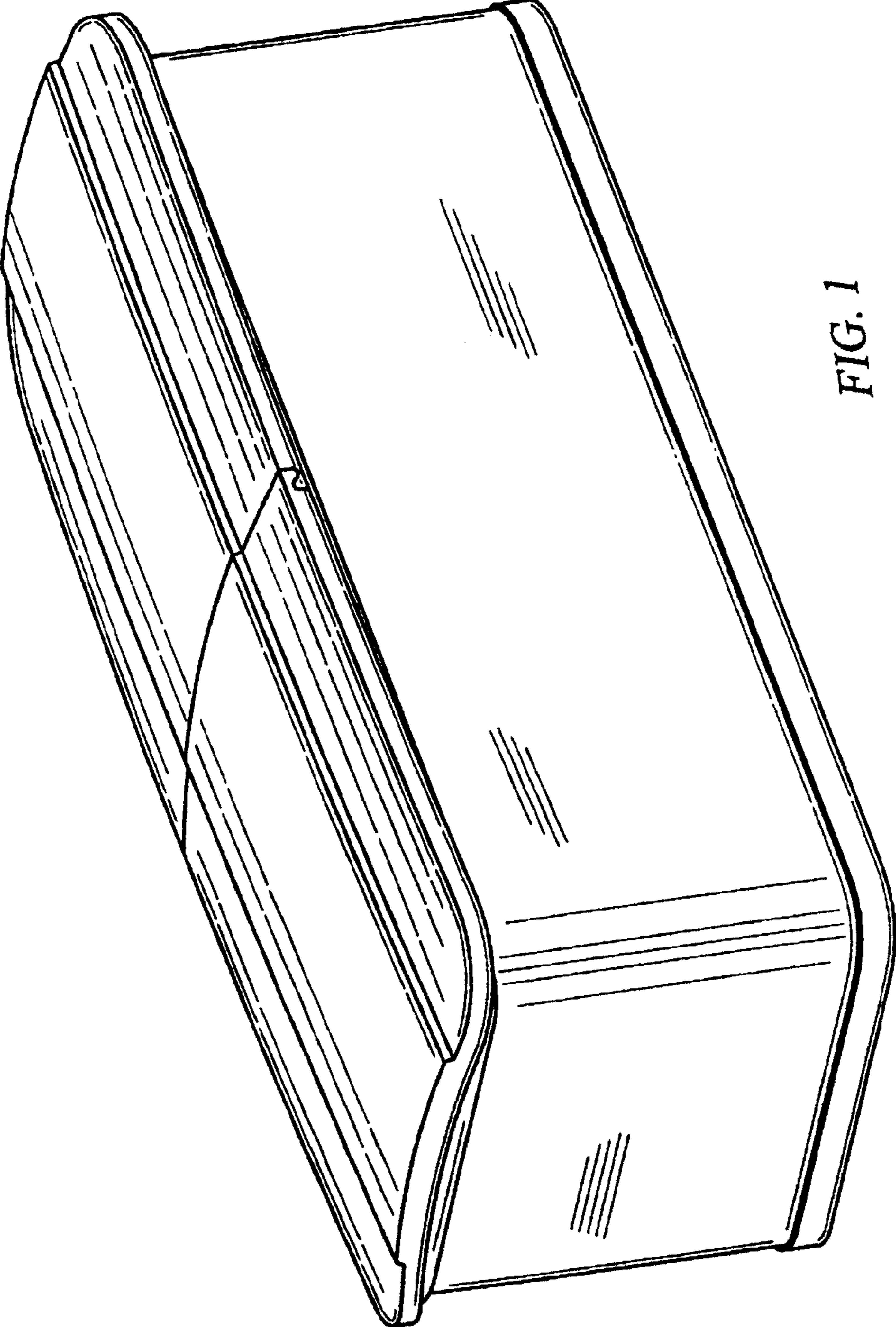


FIG. 1

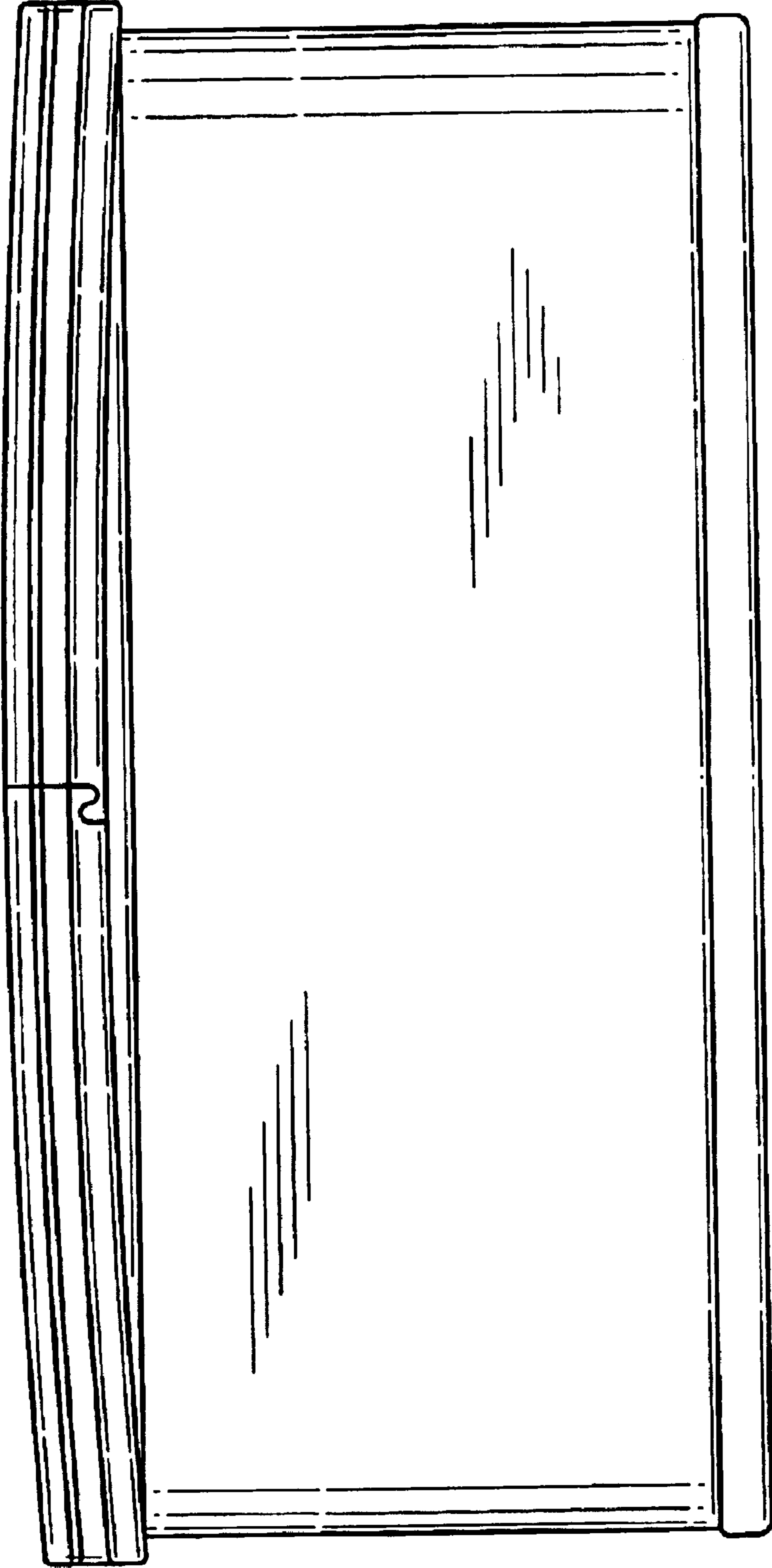


FIG. 2