

US00D495135S1

(12) **United States Design Patent**  
**Hillman**

(10) **Patent No.:** **US D495,135 S**  
(45) **Date of Patent:** **\*\* Aug. 31, 2004**

- (54) **CAMERA STORAGE BAG**
- (75) Inventor: **Jack L. Hillman**, Colorado Springs, CO (US)
- (73) Assignee: **Case Logic, Inc.**, Longmont, CO (US)
- (\*\*) Term: **14 Years**
- (21) Appl. No.: **29/173,884**
- (22) Filed: **Jan. 7, 2003**
- (51) **LOC (7) Cl.** ..... **03-01**
- (52) **U.S. Cl.** ..... **D3/267; D3/273; D3/301**
- (58) **Field of Search** ..... D3/208, 215, 219, D3/225, 226, 243, 263, 267, 268, 270, 273, 276, 283, 285, 287, 289, 290, 301; 206/316.1, 316.2; 224/583, 612, 908

(56) **References Cited**

**U.S. PATENT DOCUMENTS**

D156,685 S	*	12/1949	Weiss	
D192,238 S	*	2/1962	Obergfell	
4,138,045 A	*	2/1979	Baker	
D294,081 S	*	2/1988	Ito	D3/219
4,976,352 A	*	12/1990	Nordstrom	206/316.2
D325,126 S	*	4/1992	Costello	D3/203
D454,428 S	*	3/2002	Hillman	D3/219
D455,256 S	*	4/2002	Tyler	D3/219
D455,547 S	*	4/2002	Hillman	D3/219
D457,723 S	*	5/2002	Tyler	D3/267
D458,024 S	*	6/2002	Tyler	D3/267
D458,447 S	*	6/2002	Tyler	D3/267
D459,879 S	*	7/2002	Tyler	D3/267

**OTHER PUBLICATIONS**

U.S. patent application Ser. No. 29/174,766, Hillman, filed Jan. 24, 2003.  
Tamrac 20<sup>th</sup> Anniversary Catalog, p. 50.

Samsonite Photo Video Bags (German) Catalog, Trekking p. 190.

Lowepro2000 Catalog, p. 43

\* cited by examiner

*Primary Examiner*—Celia Murphy

(74) *Attorney, Agent, or Firm*—Sheridan Ross P.C.

(57) **CLAIM**

The ornamental design for a camera storage bag, as shown and described.

**DESCRIPTION**

FIG. 1 is a front perspective view of a storage case for a camera showing my new design, wherein the broken lines shown on FIGS. 2–5 and 7–8 depict environment and form no part of the claimed design;

FIG. 2 is a top plan view of the invention illustrated in FIG. 1;

FIG. 3 is a rear elevation view of the invention illustrated in FIG. 1;

FIG. 4 is a front elevation view of the invention illustrated in FIG. 1;

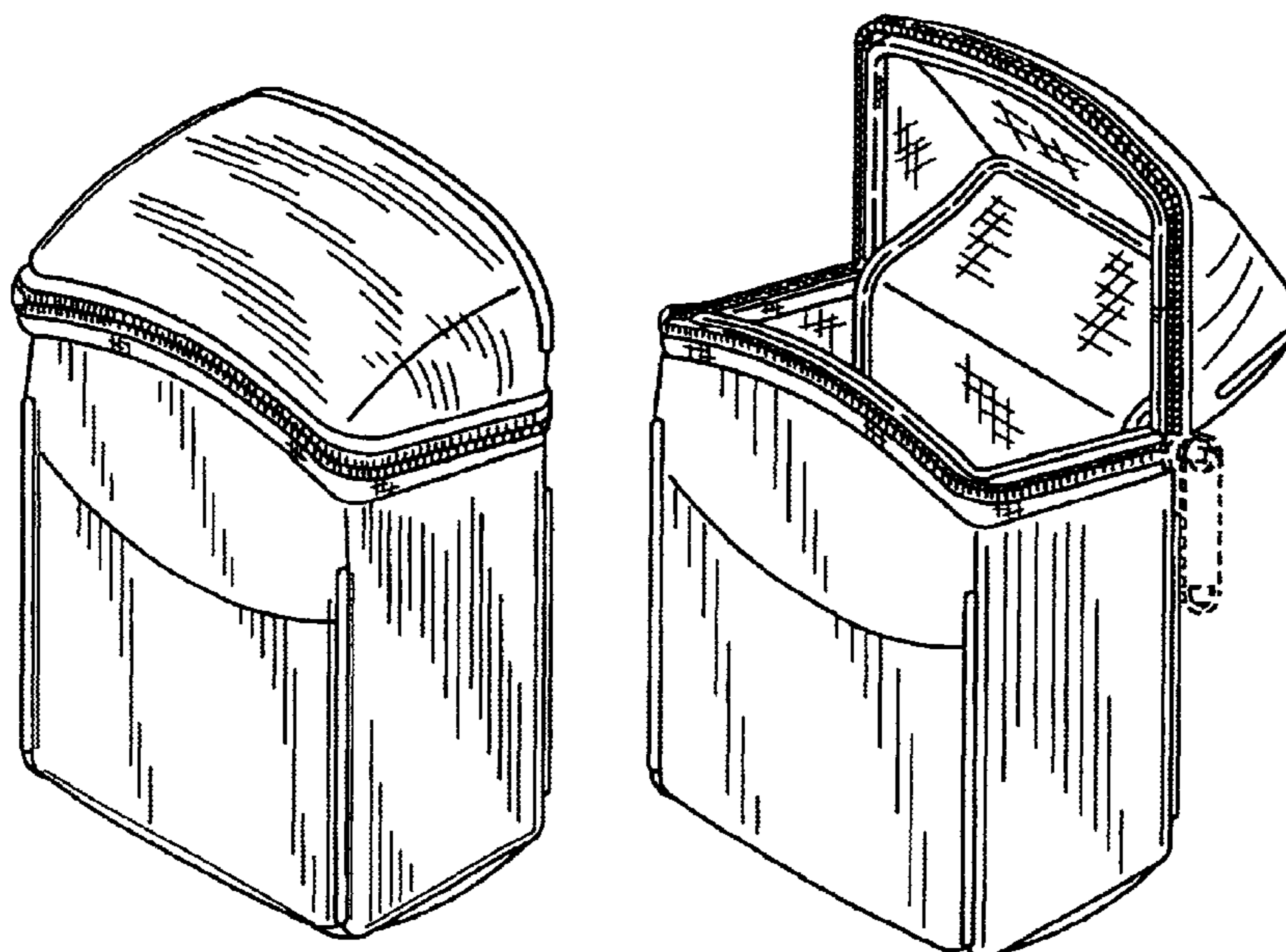
FIG. 5 is left elevation view of the invention illustrated in FIG. 1;

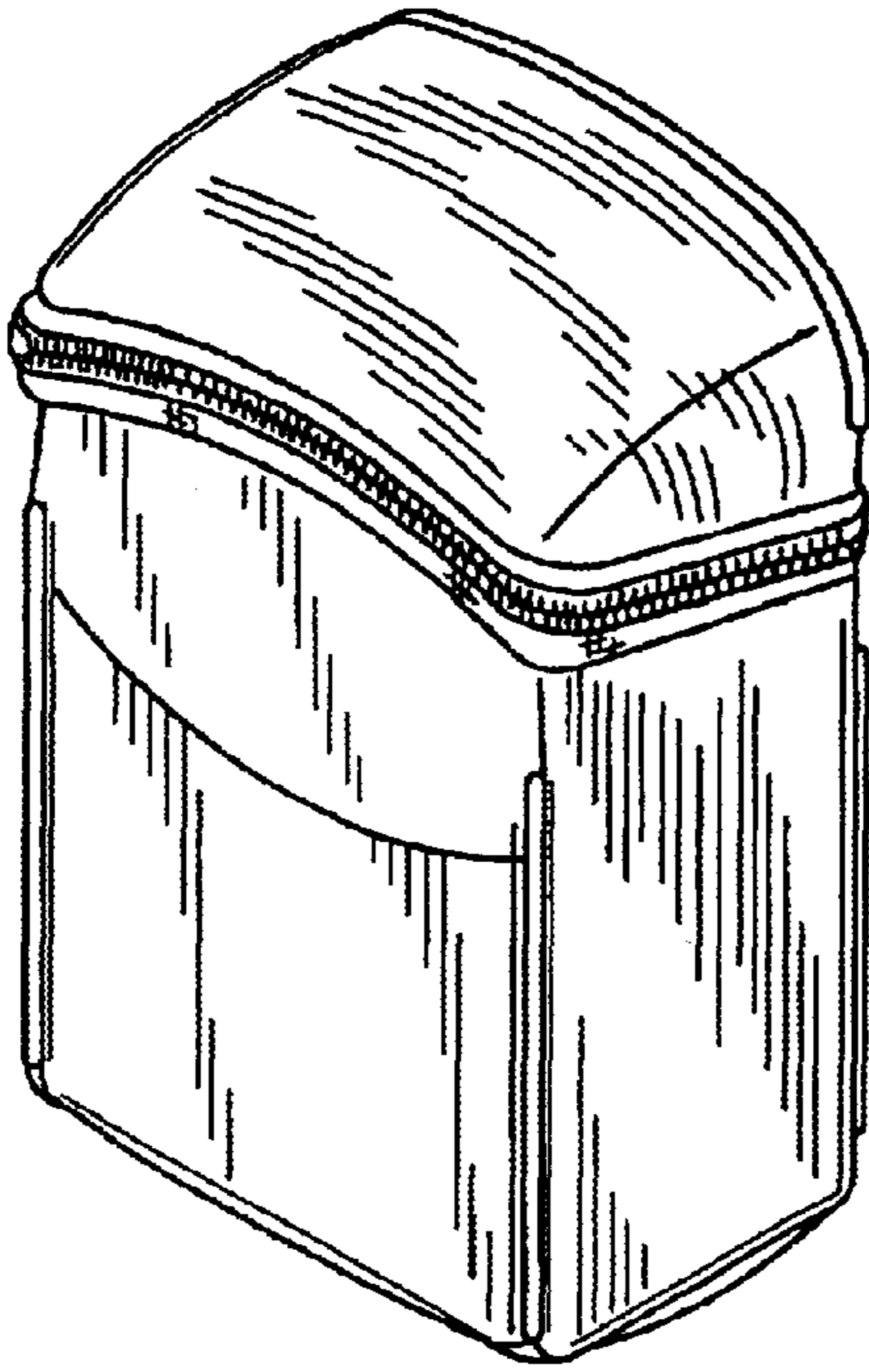
FIG. 6 is a right elevation view of the invention illustrated in FIG. 1;

FIG. 7 is a bottom plan view of the invention illustrated in FIG. 1; and,

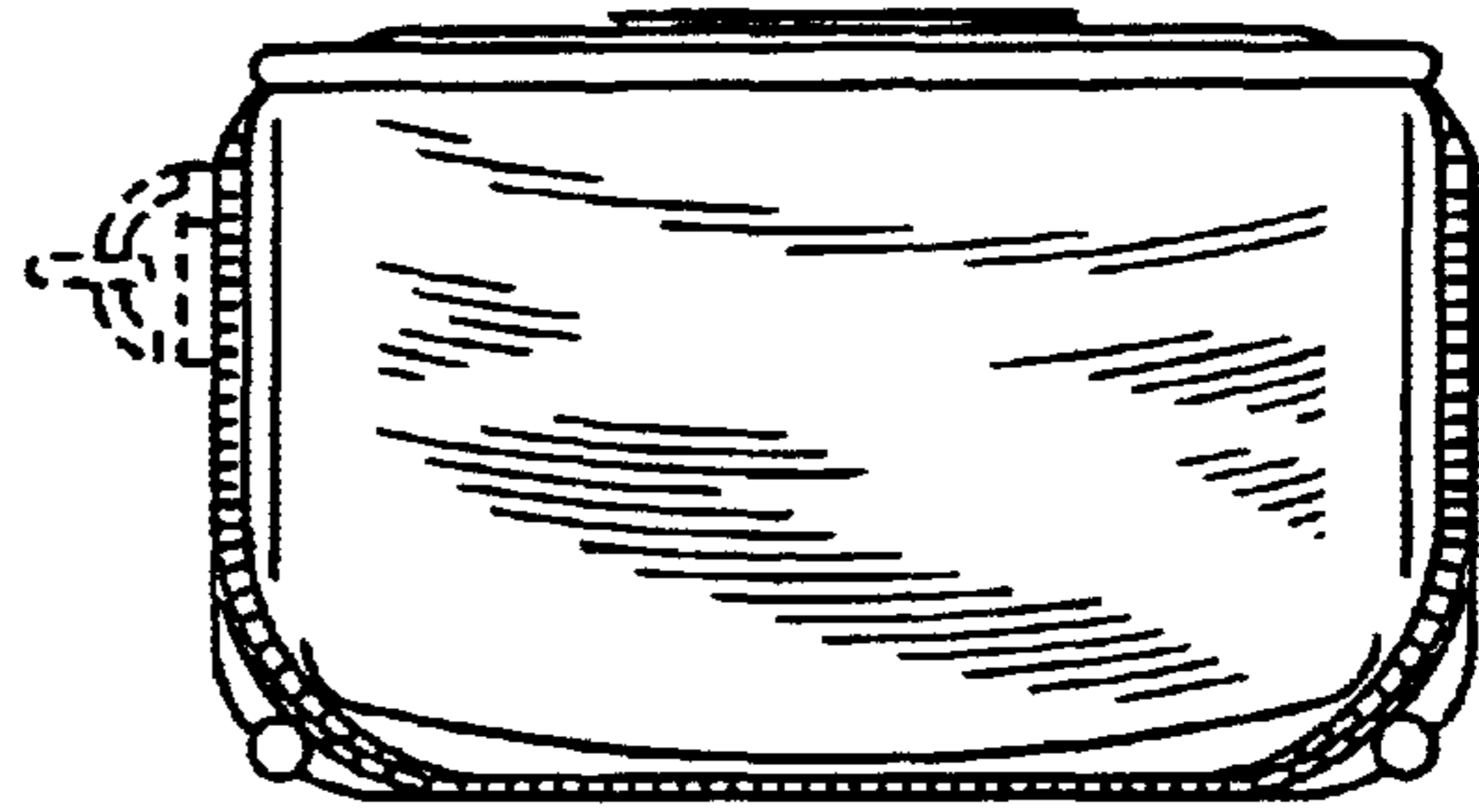
FIG. 8 is a front perspective view of the invention illustrated in FIG. 1, shown in an open position.

**1 Claim, 2 Drawing Sheets**

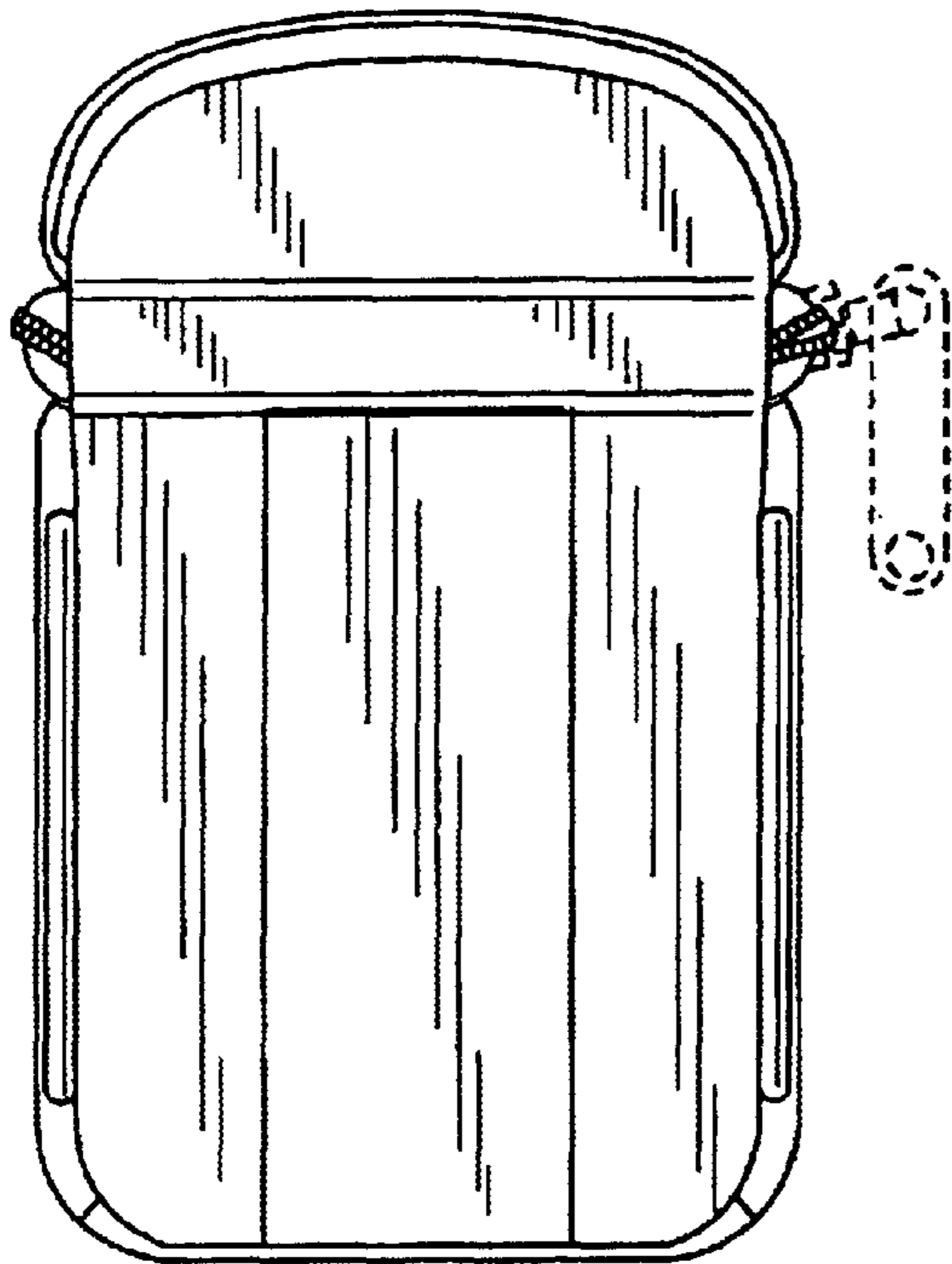




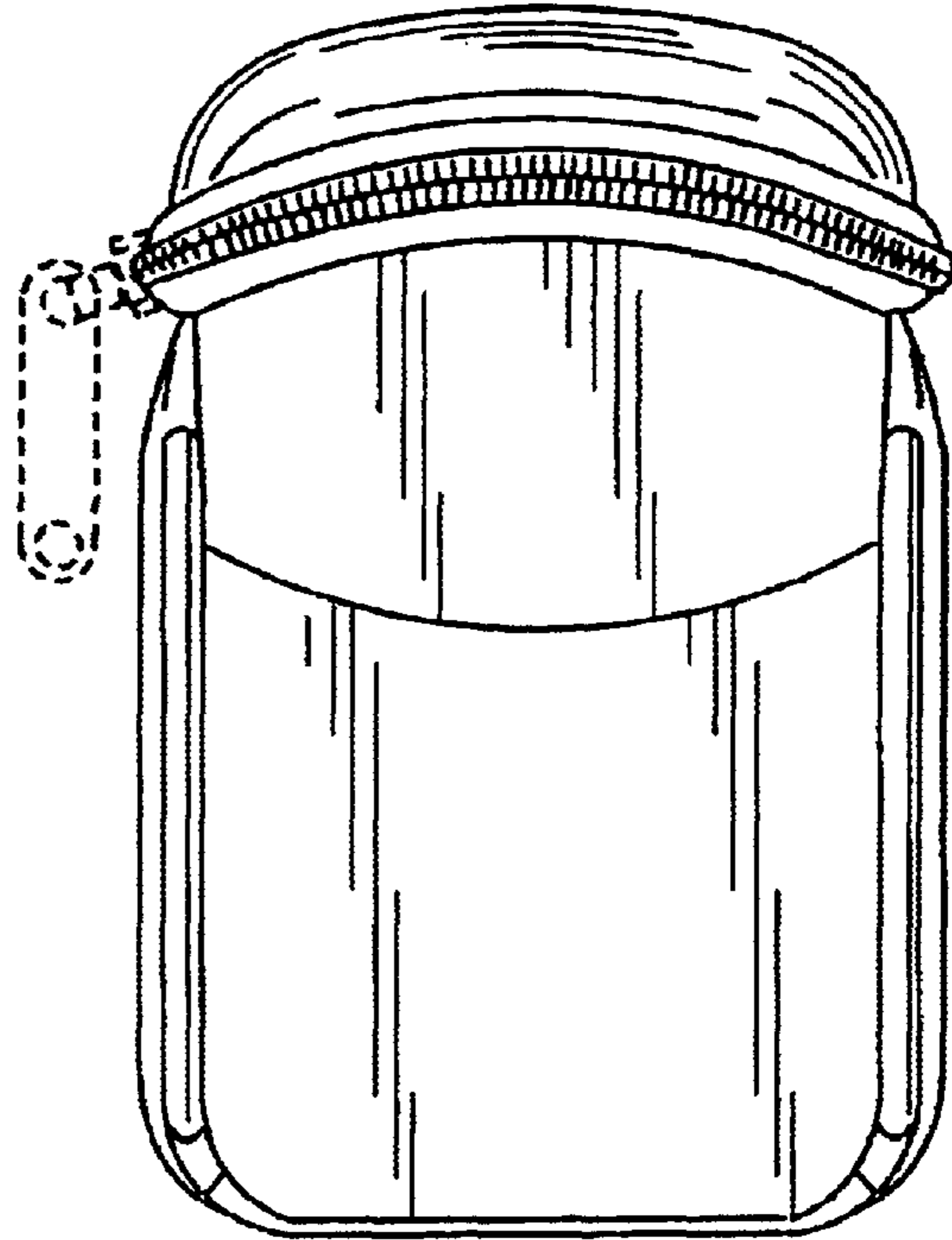
*Fig. 1*



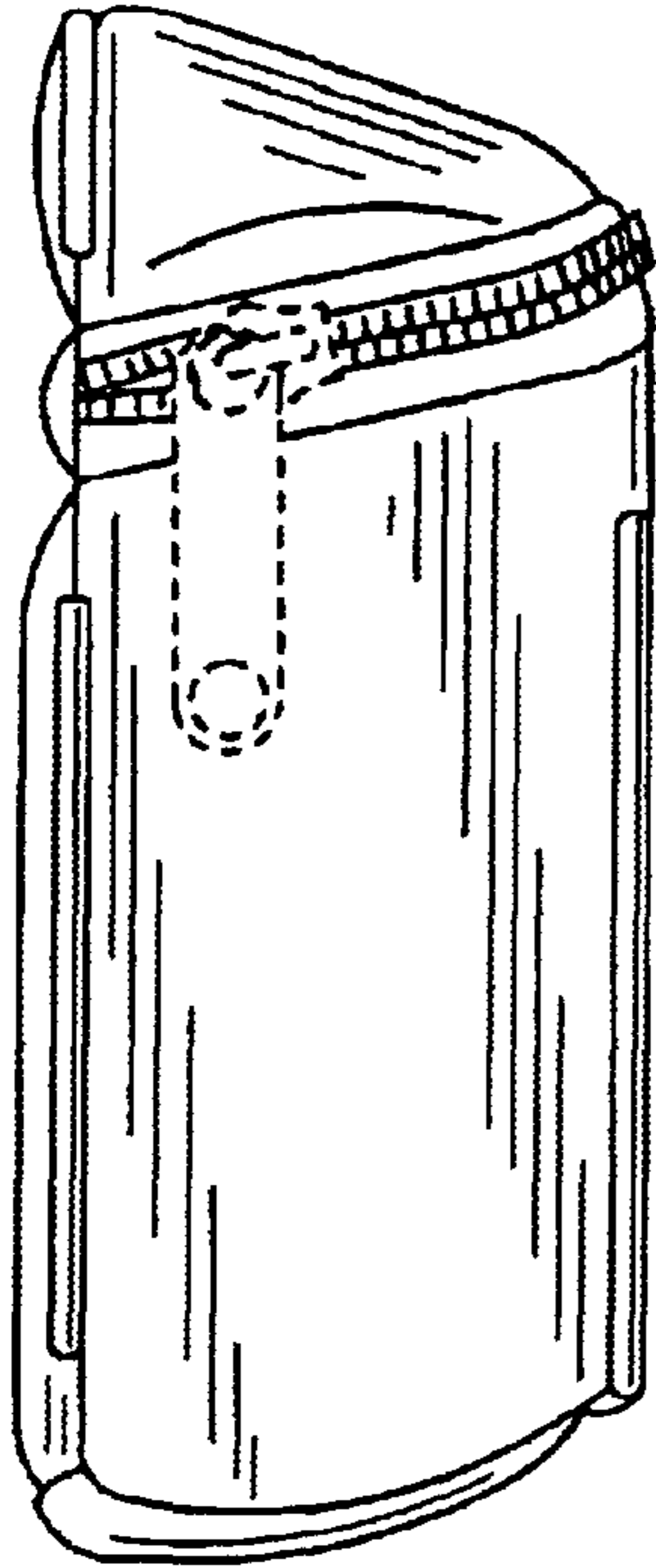
*Fig. 2*



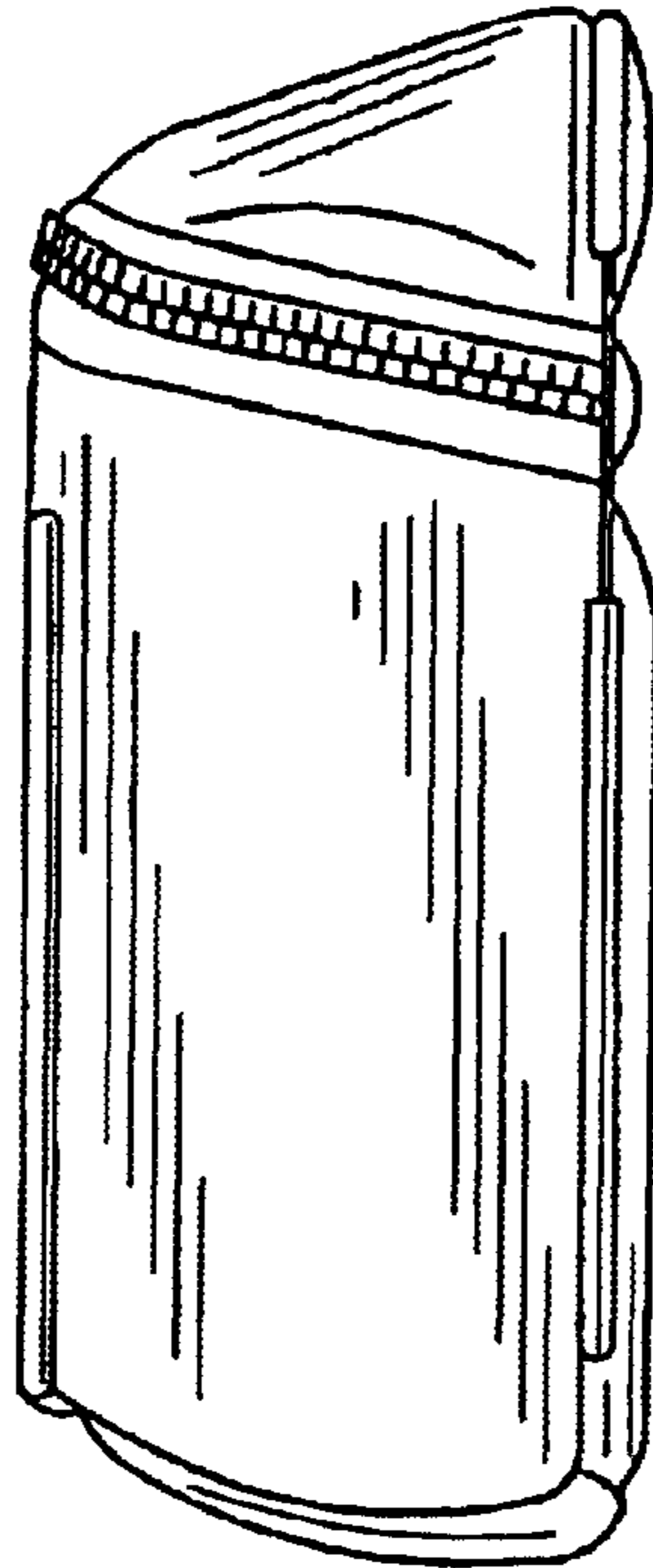
*Fig. 3*



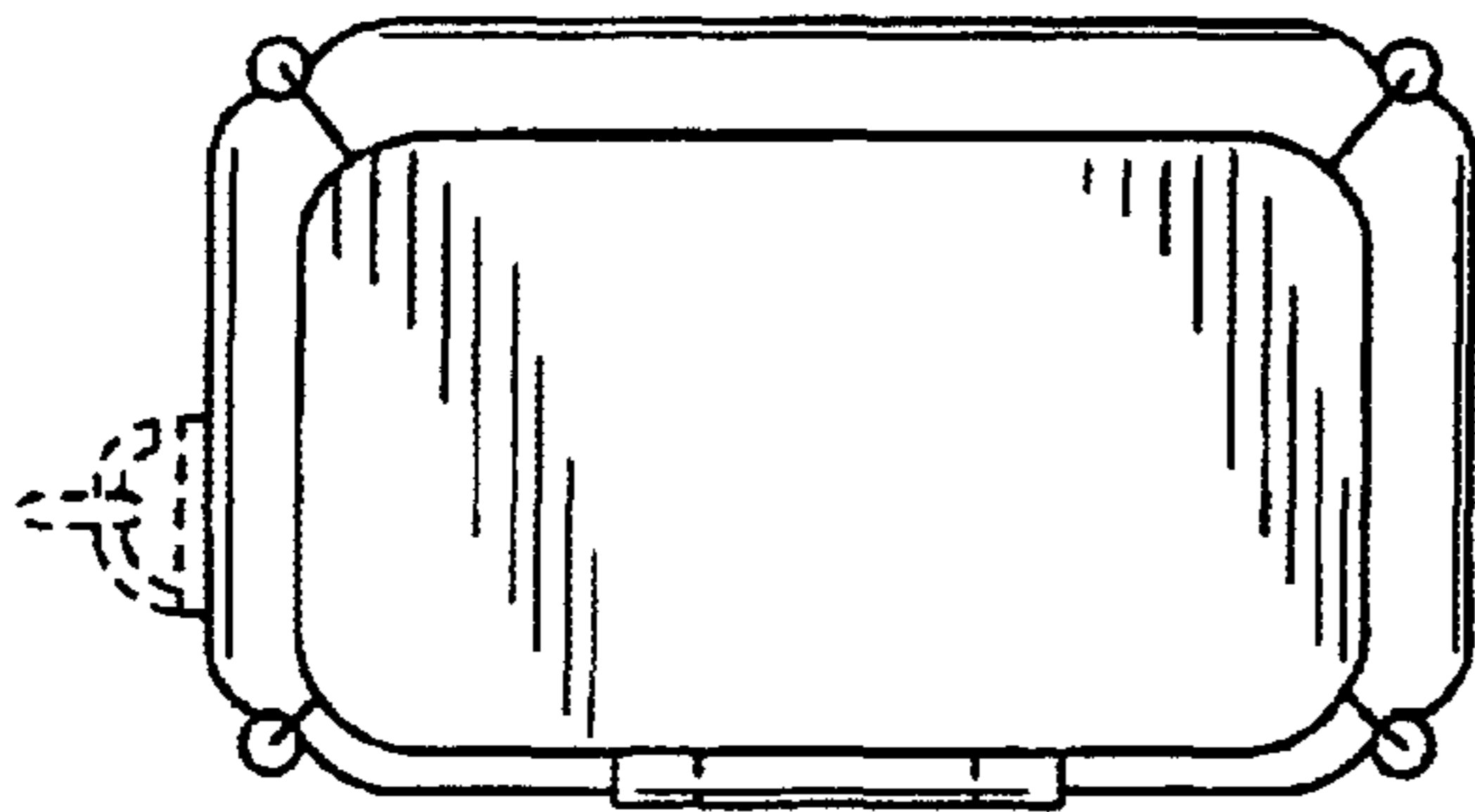
*Fig. 4*



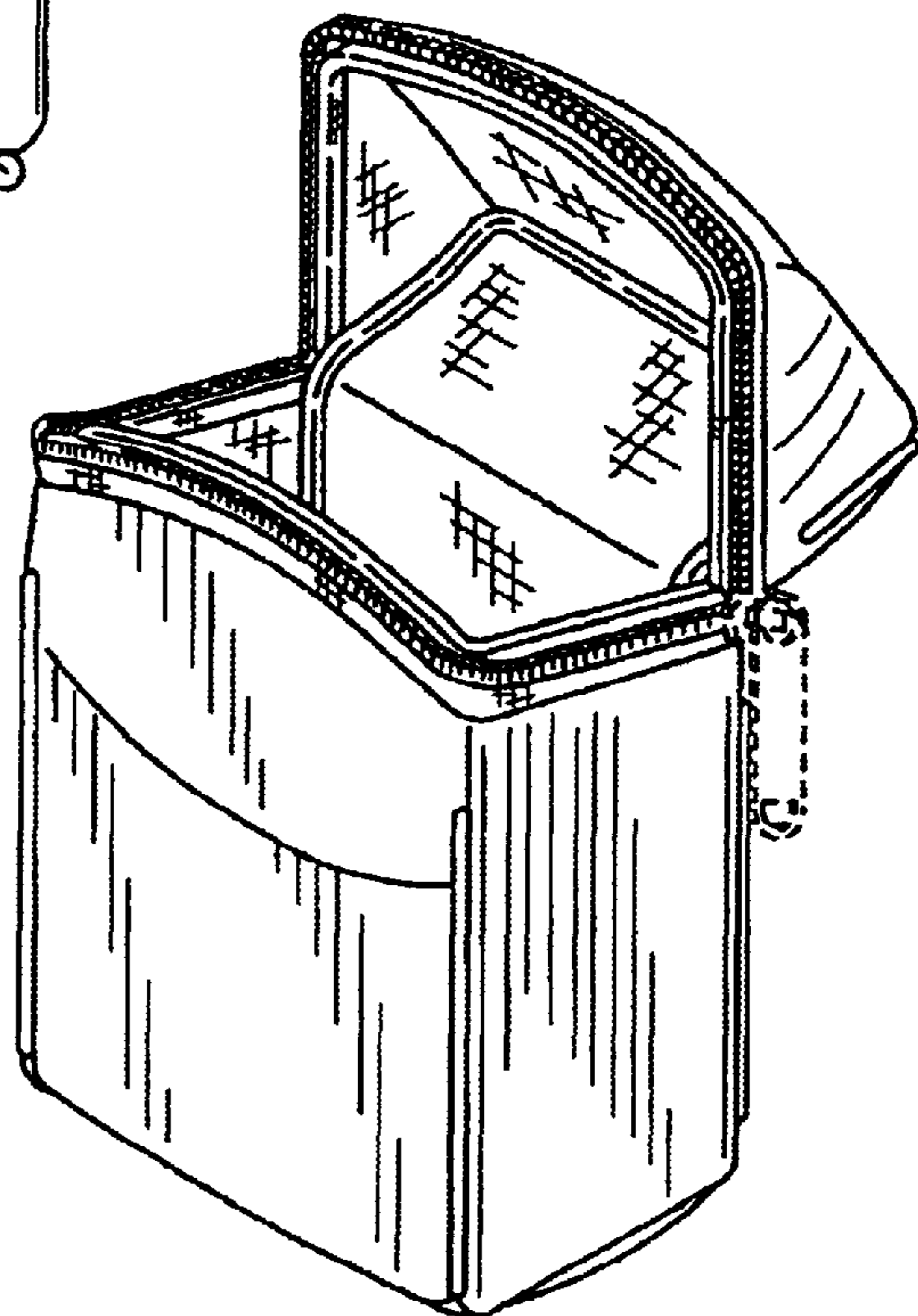
*Fig. 5*



*Fig. 6*



*Fig. 7*



*Fig. 8*