

US00D495130S1

(12) **United States Design Patent**
Sherman

(10) **Patent No.:** **US D495,130 S**

(45) **Date of Patent:** **** Aug. 31, 2004**

(54) **ELASTIC LACES**

(75) **Inventor:** **Gary Sherman, Ilford (GB)**

(73) **Assignee:** **Elastalace Limited, Essex (GB)**

(**) **Term:** **14 Years**

(21) **Appl. No.:** **29/180,235**

(22) **Filed:** **Apr. 21, 2003**

(30) **Foreign Application Priority Data**

Oct. 22, 2002 (GB) 3007978

(51) **LOC (7) Cl.** **02-99**

(52) **U.S. Cl.** **D2/978**

(58) **Field of Search** D2/978; 24/715.3-715

(56) **References Cited**

U.S. PATENT DOCUMENTS

- 1,673,080 A * 6/1928 Lamy 24/715.3
- 1,770,786 A * 7/1930 Lee 24/715.3
- 2,004,702 A * 6/1935 Luttmann, Jr. 24/715.3

- D144,988 S * 6/1946 Richmond D2/978
- 3,059,518 A * 10/1962 Nelson 24/715.4
- 3,701,572 A * 10/1972 Velasquez 24/715.3
- 5,111,558 A * 5/1992 Ridley et al. 24/715.3
- D346,895 S * 5/1994 Martin D2/978
- 6,026,548 A * 2/2000 Jackson 24/715.3
- D431,717 S * 10/2000 Chen D2/978
- D442,361 S * 5/2001 Chen D2/978
- 6,513,210 B1 * 2/2003 Gonzalez 24/715.3
- 6,681,459 B1 * 1/2004 Curet et al. 24/715.3

* cited by examiner

Primary Examiner—Dominic Simone

(74) *Attorney, Agent, or Firm*—Andrus, Scales, Starke & Sawall, LLP

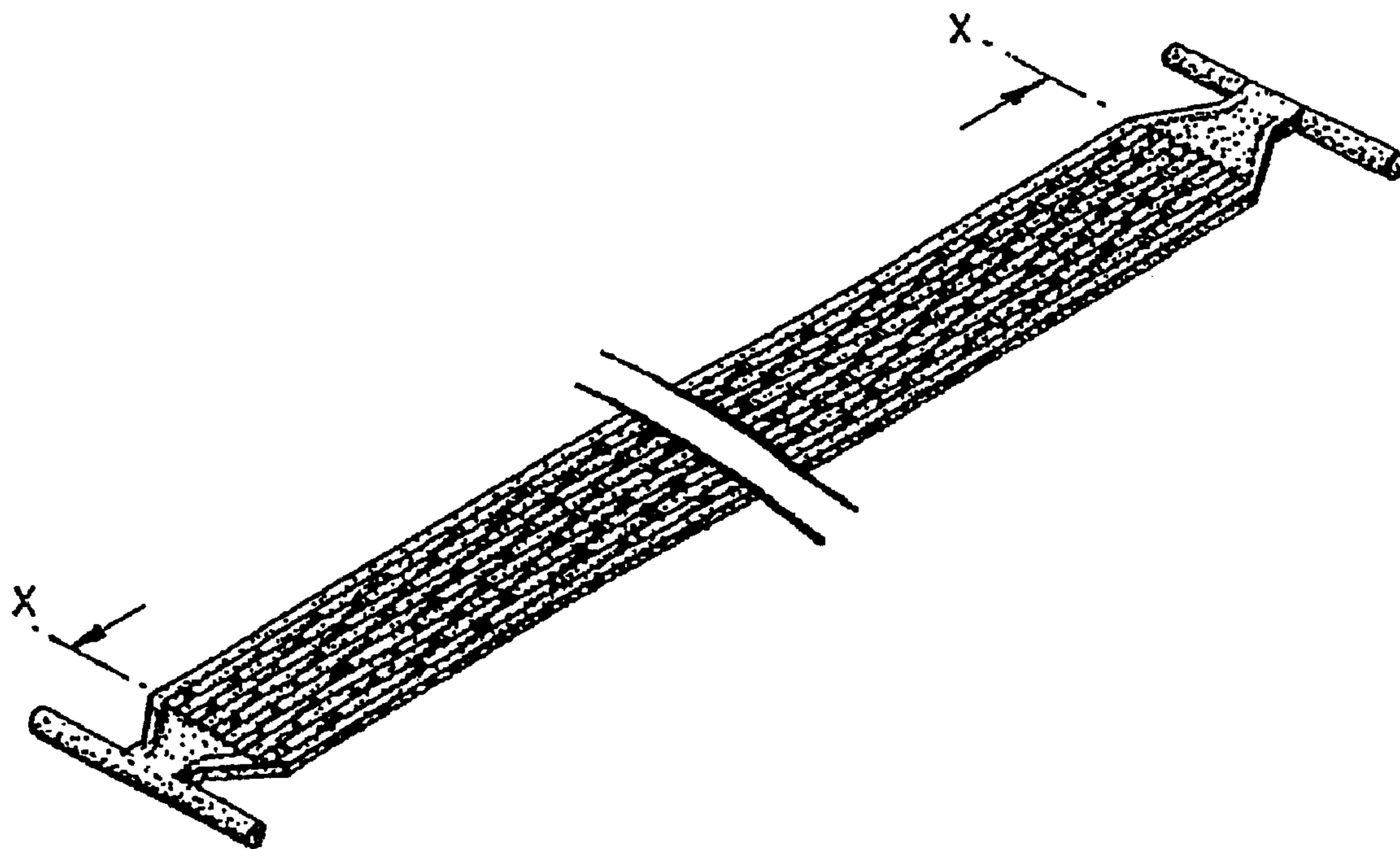
(57) **CLAIM**

The ornamental design for elastic laces, as shown.

DESCRIPTION

FIG. 1 is a perspective view from above; and, FIG. 2 is a perspective view from below.

1 Claim, 1 Drawing Sheet



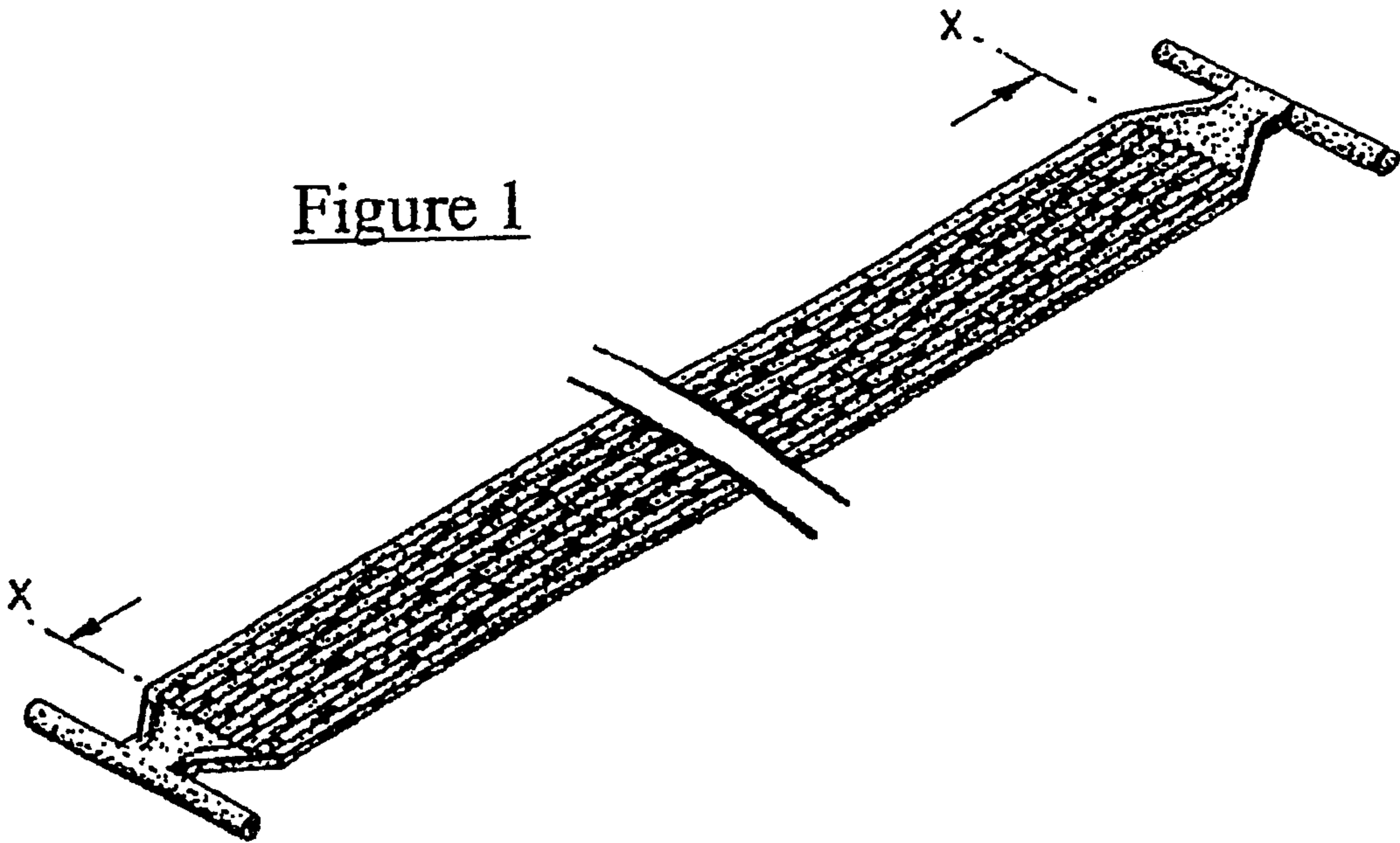


Figure 1

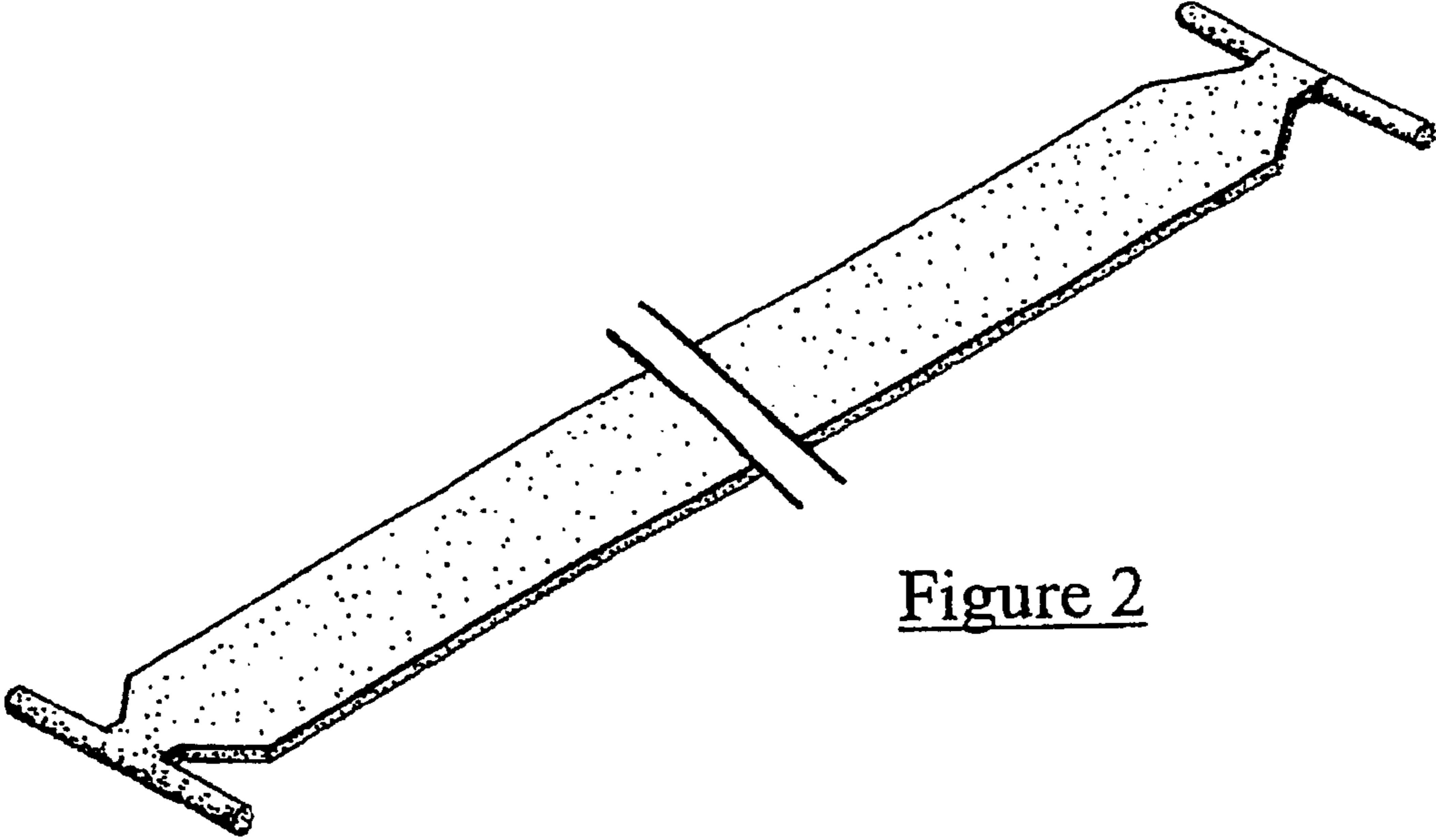


Figure 2