

US00D495115S1

(12) **United States Design Patent**  
**Washington et al.**

(10) **Patent No.: US D495,115 S**

(45) **Date of Patent: \*\* Aug. 24, 2004**

(54) **MEDIA GUIDE RAIL BASE**

(75) Inventors: **Jon E. Washington**, Clinton, OH (US);  
**H. Thomas Graef**, Bolivar, OH (US);  
**Eric S. VanKeulen**, North Canton, OH  
(US); **Gregory A. Spicer**, Cuyahoga  
Falls, OH (US)

(73) Assignee: **Diebold Self-Service Systems division  
of Diebold, Incorporated**, North  
Canton, OH (US)

(\*\*) Term: **14 Years**

(21) Appl. No.: **29/195,064**

(22) Filed: **Dec. 4, 2003**

(51) **LOC (7) Cl. .... 99-01**

(52) **U.S. Cl. .... D99/43; D99/35**

(58) **Field of Search .... D99/28, 34, 35,  
D99/43; D18/3.1, 3.2, 3.3, 3, 4, 46, 99;  
D25/119, 164, 199; D10/64, 69, 71; D13/123,  
128, 156; 238/227, 28; 52/677; 411/544;  
33/348.2**

(56) **References Cited**

**U.S. PATENT DOCUMENTS**

3,192,375 A \* 6/1965 Olson ..... 33/348.2

D244,460 S \* 5/1977 Jenkins ..... D25/164  
4,909,692 A \* 3/1990 Hendren ..... 411/544  
5,342,165 A \* 8/1994 Graef et al. .... 414/788.9  
5,577,720 A \* 11/1996 Laskowski ..... 271/265.04  
D443,198 S \* 6/2001 Snyder ..... D8/354  
D482,177 S \* 11/2003 Washington et al. .... D99/28  
D482,840 S \* 11/2003 Magee et al. .... D99/28

\* cited by examiner

*Primary Examiner*—Paula A. Greene

(74) *Attorney, Agent, or Firm*—Christopher L. Parmelee;  
Ralph E. Jocke; Walker & Jocke

(57) **CLAIM**

We claim the ornamental design for a media guide rail base,  
shown.

**DESCRIPTION**

FIG. 1 is a front perspective view of a media guide rail base  
showing our new design.

FIG. 2 is a top plan view thereof.

FIG. 3 is a first side plan view thereof.

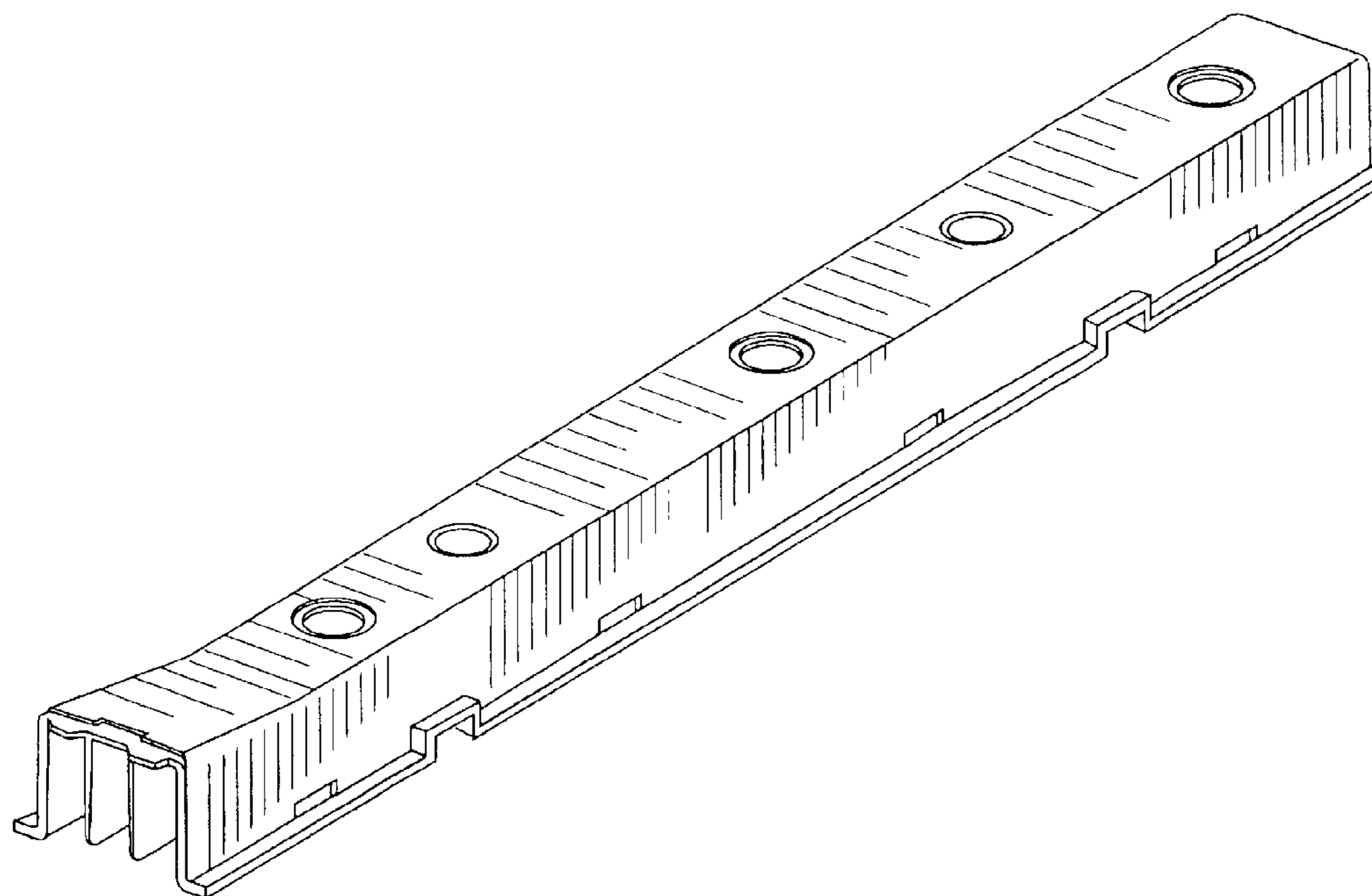
FIG. 4 is a bottom plan view thereof.

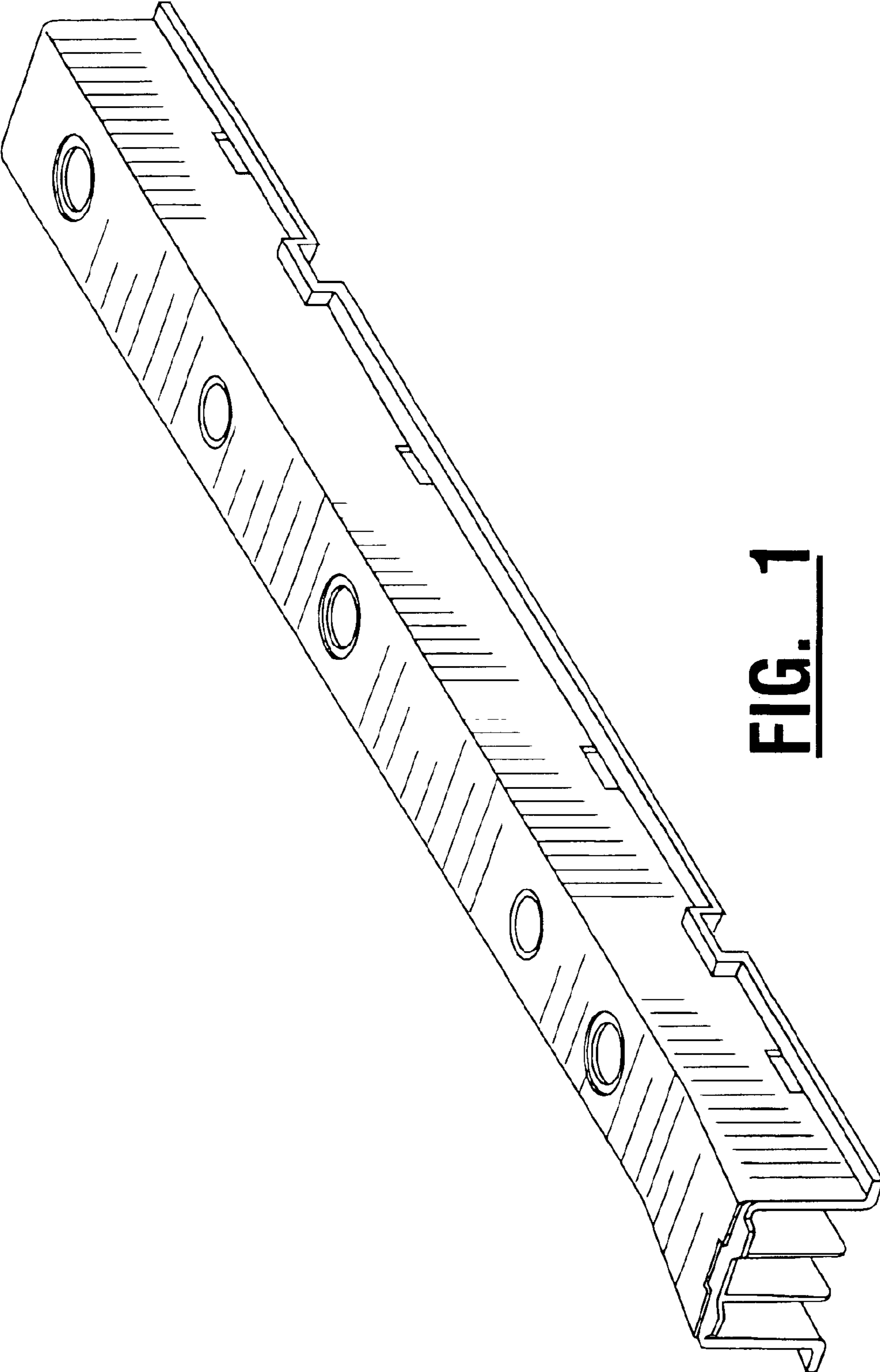
FIG. 5 is a second side plan view thereof.

FIG. 6 is a first end plan view thereof; and,

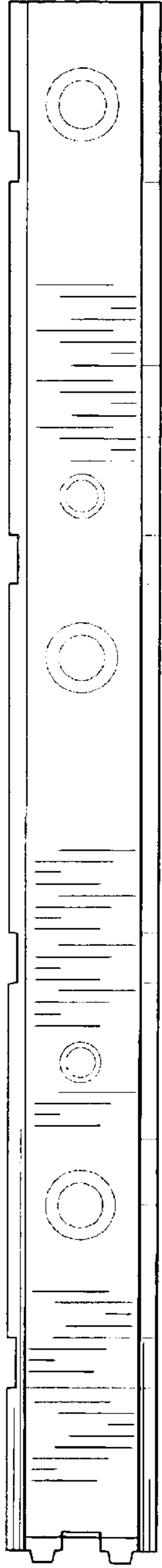
FIG. 7 is a second end plan view thereof.

**1 Claim, 3 Drawing Sheets**

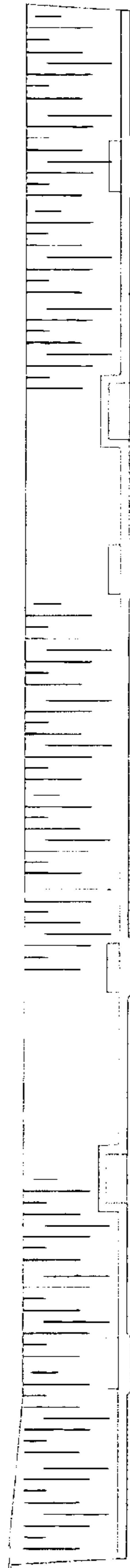




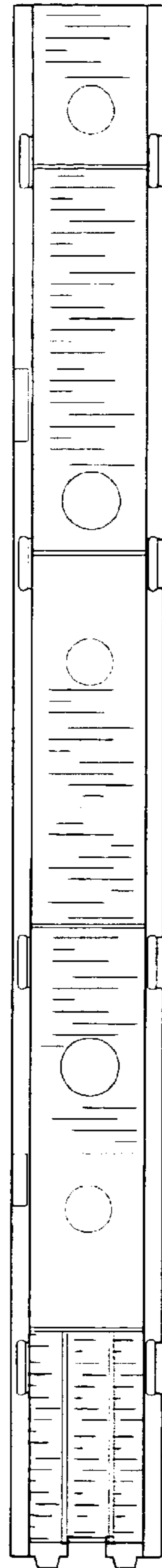
**FIG. 1**



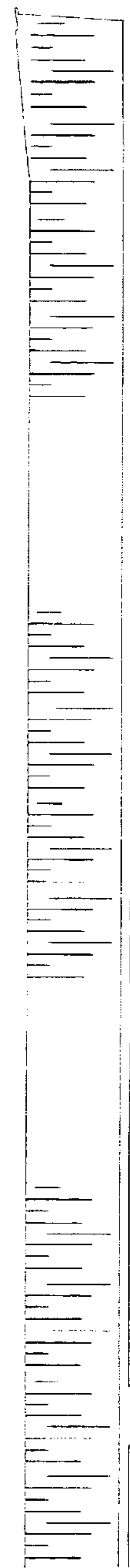
**FIG. 2**



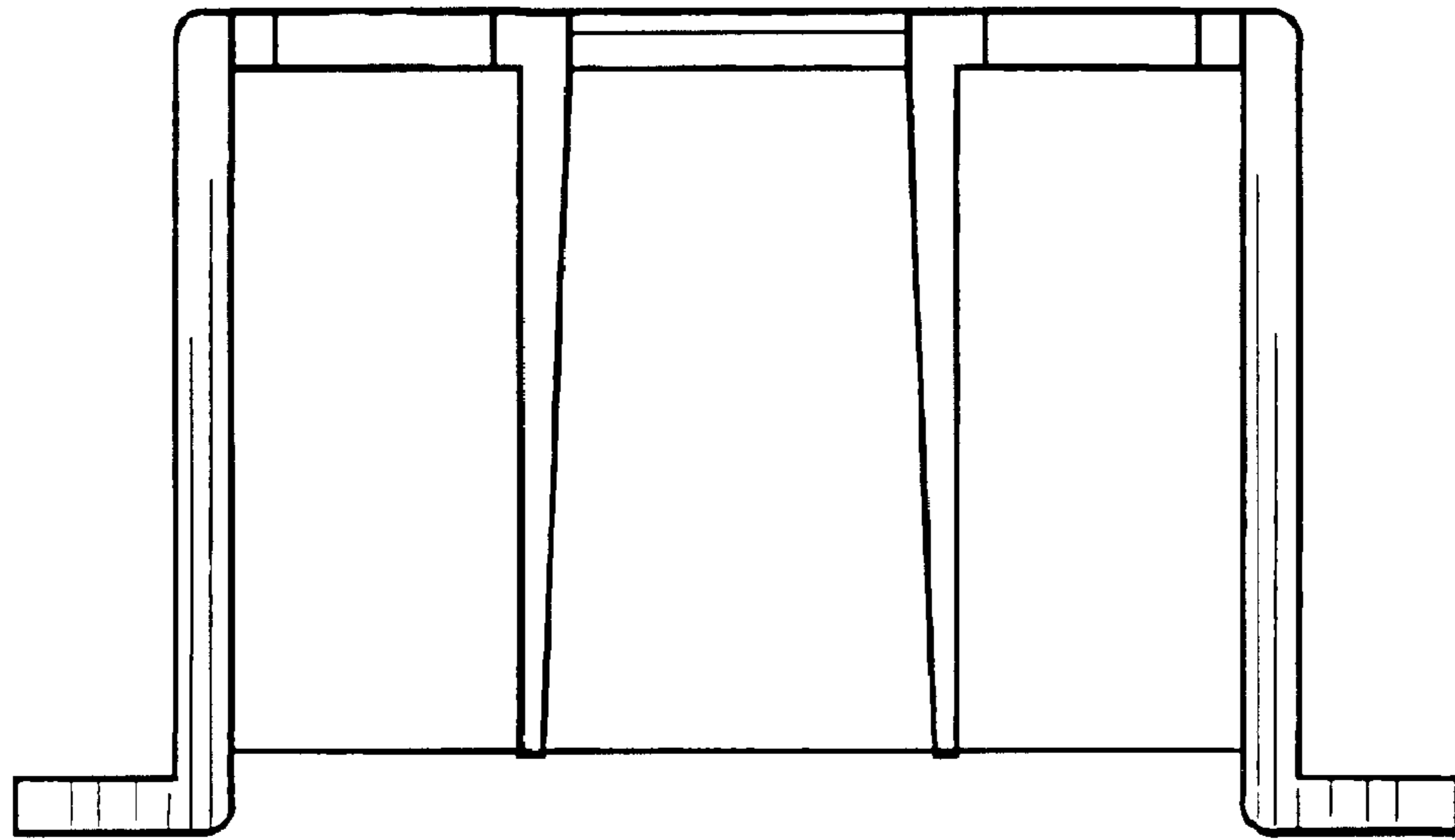
**FIG. 3**



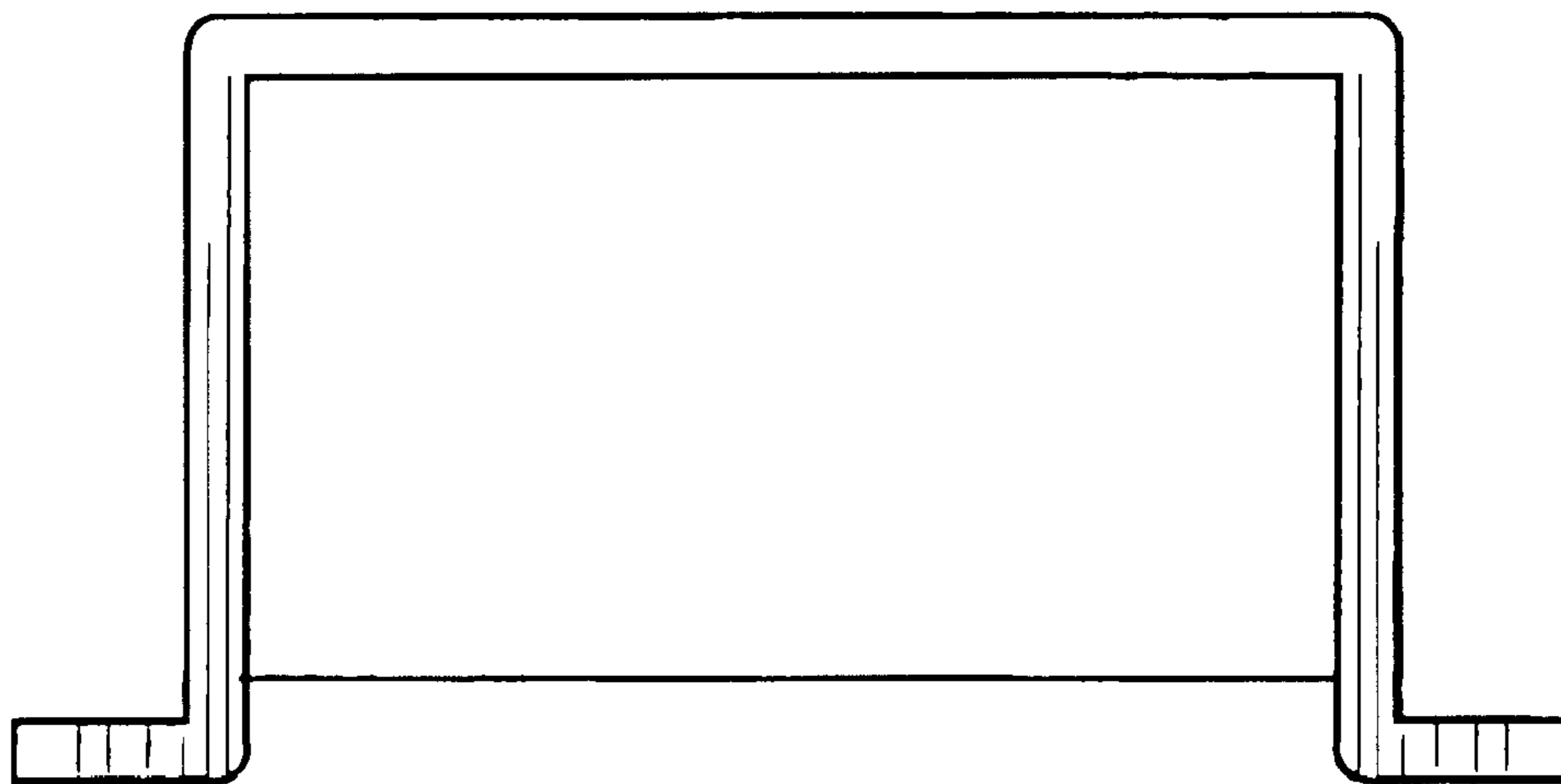
**FIG. 4**



**FIG. 5**



**FIG. 6**



**FIG. 7**