

US00D495114S1

(12) **United States Design Patent**
Washington et al.

(10) **Patent No.: US D495,114 S**
(45) **Date of Patent: ** Aug. 24, 2004**

(54) **MEDIA GUIDE RAIL CAP**
(75) Inventors: **Jon E. Washington**, Clinton, OH (US);
H. Thomas Graef, Bolivar, OH (US);
Eric S. VanKeulen, North Canton, OH
(US); **Gregory A. Spicer**, Cuyahoga
Falls, OH (US)

D244,460 S * 5/1977 Jenkins D25/164
4,909,692 A * 3/1990 Hendren 411/544
5,342,165 A * 8/1994 Graef et al. 414/788.9
5,577,720 A * 11/1996 Laskowski 271/265.04
D443,198 S * 6/2001 Snyder D8/354
D482,177 S * 11/2003 Washington et al. D99/28
D482,840 S * 11/2003 Magee et al. D99/28

(73) Assignee: **Diebold Self-Service Systems a
division of Diebold, Incorporated**,
North Canton, OH (US)

* cited by examiner

(**) Term: **14 Years**

Primary Examiner—Paula A. Greene
(74) *Attorney, Agent, or Firm*—Christopher L. Parmelee;
Ralph E. Jocke; Walker & Jocke

(21) Appl. No.: **29/194,721**

(57) **CLAIM**

(22) Filed: **Dec. 4, 2003**

We claim the ornamental design for a media guide rail cap,
shown.

(51) **LOC (7) Cl.** **99-00**
(52) **U.S. Cl.** **D99/43; D99/35**
(58) **Field of Search** D99/28, 34, 35,
D99/43; D18/3.1, 3.2, 3.3, 3, 4, 46, 99;
D25/119, 164, 199; D10/64, 69, 71; D13/123,
128, 156; 238/227, 22; 52/677; 411/544;
33/348.2

DESCRIPTION

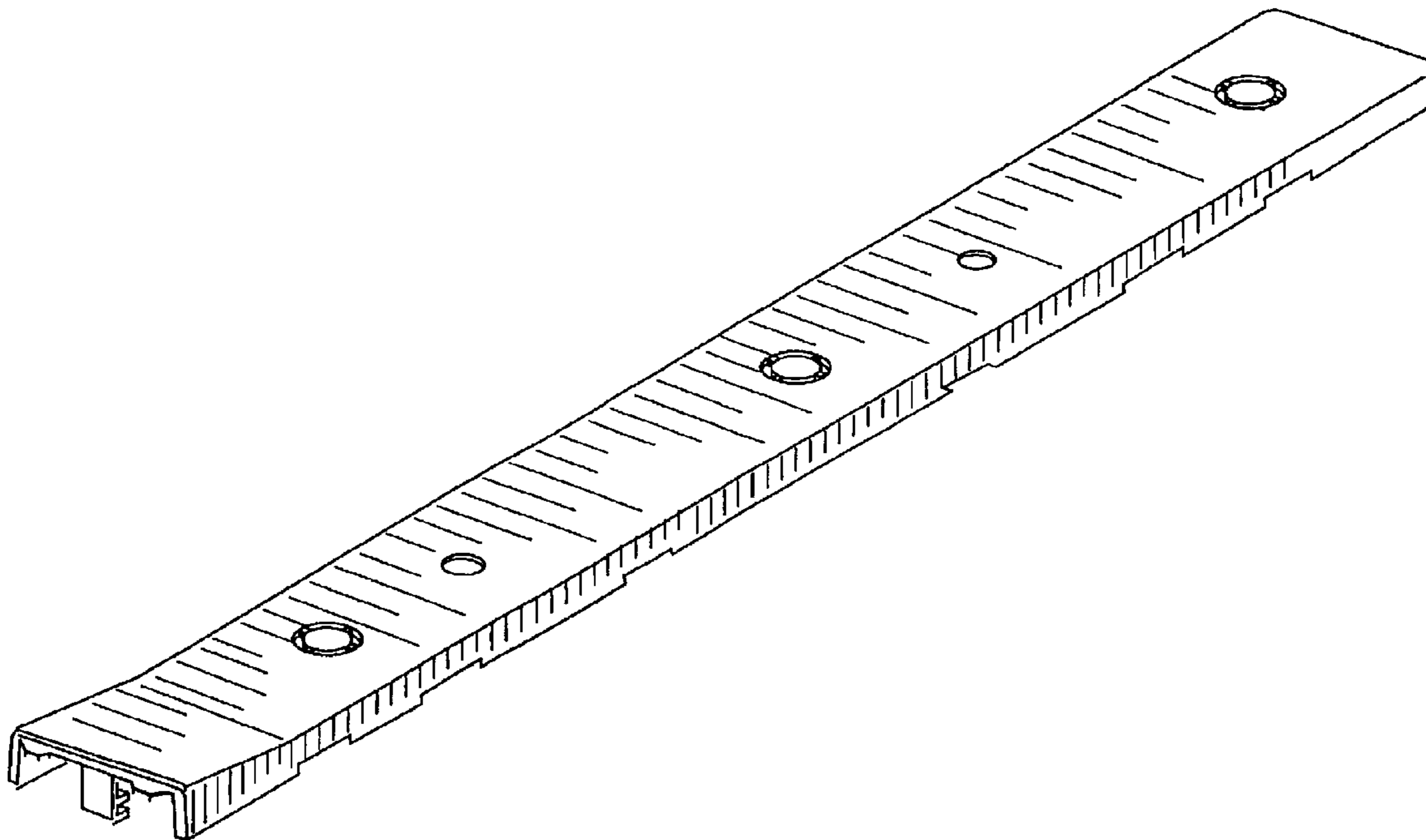
FIG. 1 is a front perspective view of a media guide rail cap
showing our new design.
FIG. 2 is a top plan view thereof.
FIG. 3 is a side plan view thereof.
FIG. 4 is a first end plan view thereof.
FIG. 5 is a second end plan view thereof; and,
FIG. 6 is a bottom plan view thereof.

(56) **References Cited**

U.S. PATENT DOCUMENTS

3,192,375 A * 6/1965 Olson 33/348.2

1 Claim, 2 Drawing Sheets



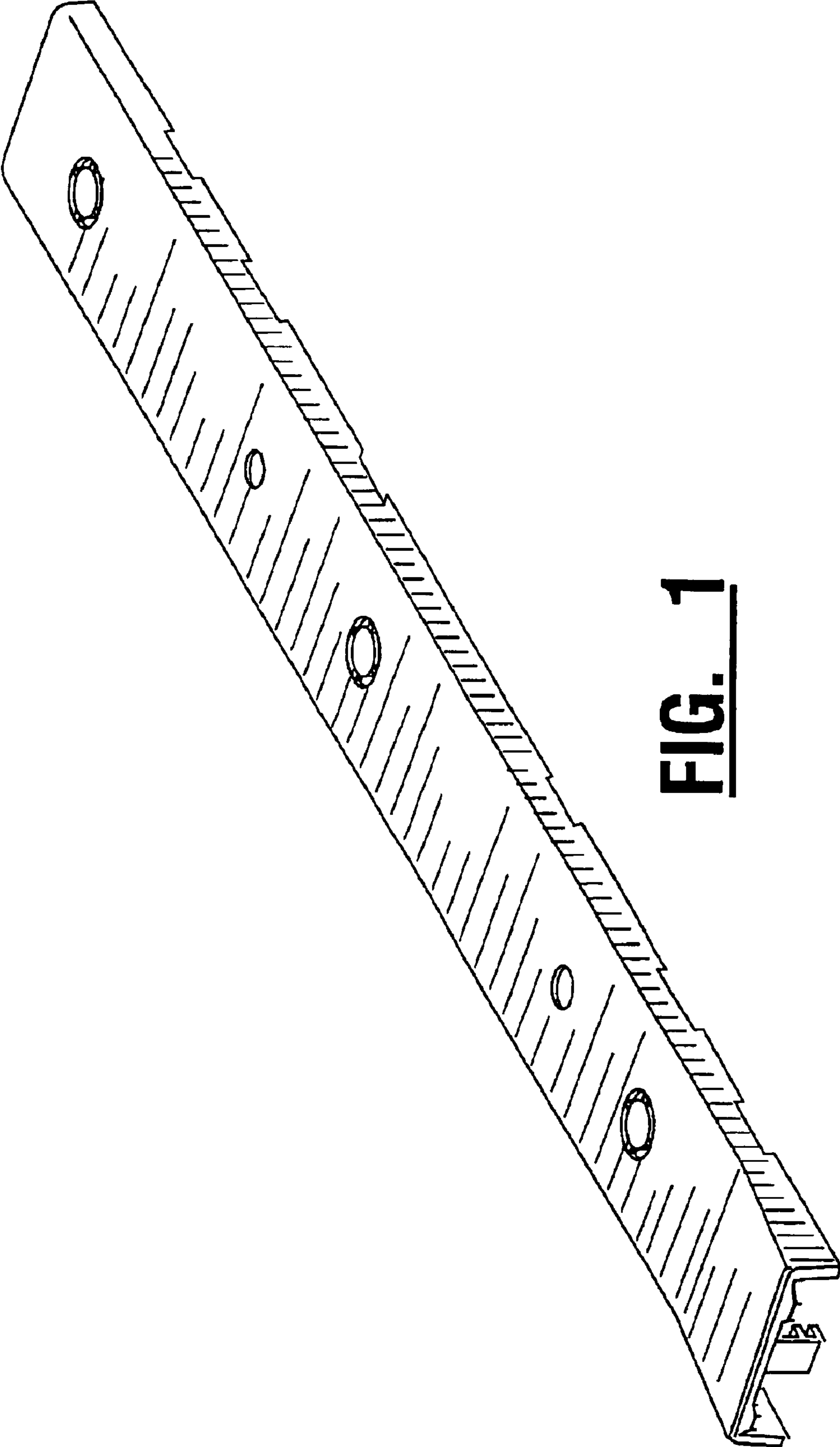


FIG. 1

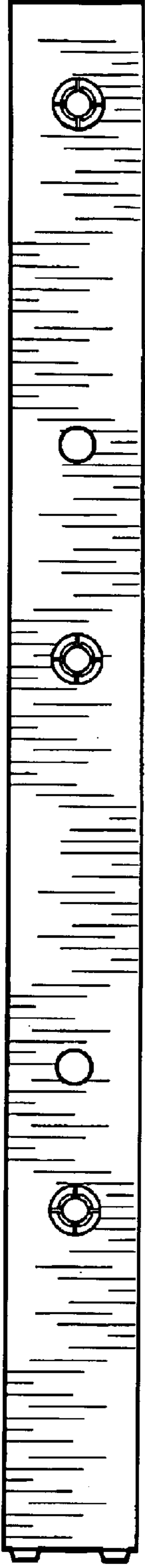


FIG. 2

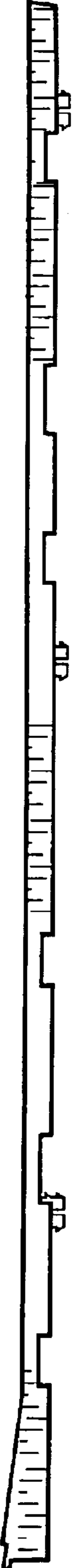


FIG. 3

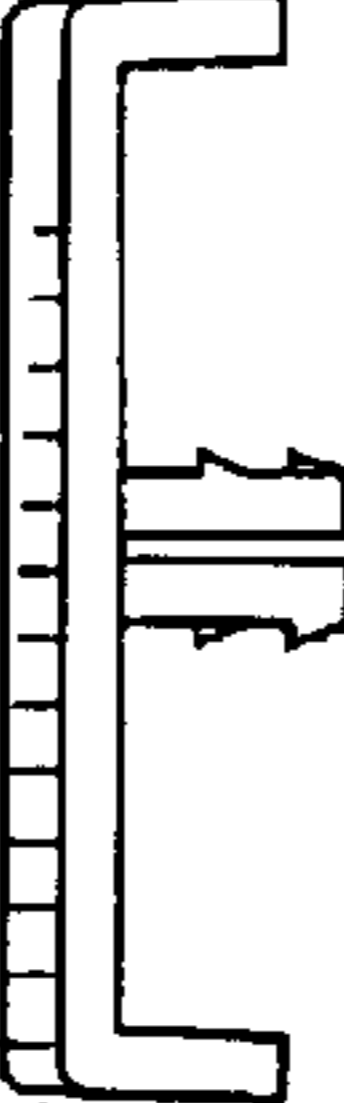


FIG. 5

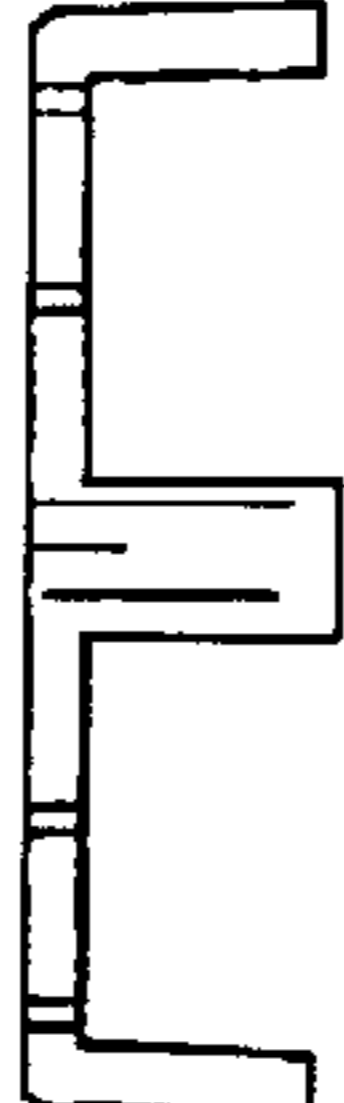


FIG. 4

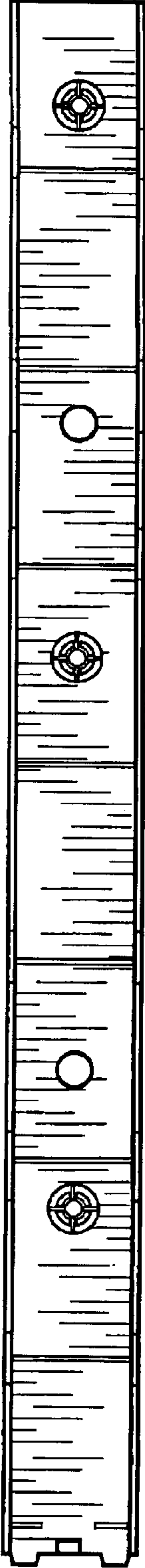


FIG. 6