



US00D495111S1

(12) **United States Design Patent**
Laframboise

(10) **Patent No.: US D495,111 S**
(45) **Date of Patent: ** Aug. 24, 2004**

(54) **PORTABLE COIN DISPENSER**

DESCRIPTION

(76) Inventor: **Edgar Laframboise**, 801-634 Lasalle Blvd., Sudbury, Ontario (CA), P3A 1X4

The present design illustrates a portable coin dispenser having a variety of coin cavities in which a plurality of the various coin sizes may be dispensed. Exterior surfaces may be utilized to affix art or advertisements.

(**) Term: **14 Years**

(21) Appl. No.: **29/172,577**

FIG. 1 is a perspective view from above of the portable coin dispenser of the present design shown with a carrying implement.

(22) Filed: **Dec. 16, 2002**

(51) **LOC (7) Cl.** **99-00**

FIG. 2 is a top plan view of the portable coin dispenser of the present design, the top is drawn broken away for ease of illustration;

(52) **U.S. Cl.** **D99/34**

(58) **Field of Search** D99/34; 453/54; 206/0.83-0.84, 0.8, 0.81; D21/392; 220/4.21

FIG. 3 is a rear elevation view of the portable coin dispenser of the present design;

(56) **References Cited**

U.S. PATENT DOCUMENTS

D165,913 S	*	2/1952	Goodman	D99/34
D186,789 S	*	12/1959	Estrem	D99/34
D207,021 S	*	2/1967	Browder	D99/34
D235,224 S	*	5/1975	Peasley	D99/34
D247,793 S	*	4/1978	McCarthy	D99/34
D289,217 S	*	4/1987	Murphy	D99/34
4,781,290 A	*	11/1988	Oliphant	206/0.83
5,024,629 A	*	6/1991	Murray	453/54
D395,131 S	*	6/1998	Steinhagen	D99/34

FIG. 4 is a front elevation view of the portable coin dispenser of the present design;

FIG. 5 is a left side elevation view of the portable coin dispenser of the present design;

FIG. 6 is a right side elevation view of the portable coin dispenser of the present design;

FIG. 7 is a top plan view of the portable coin dispenser of the present design; and,

FIG. 8 is a bottom plan view of the portable coin dispenser of the present design.

* cited by examiner

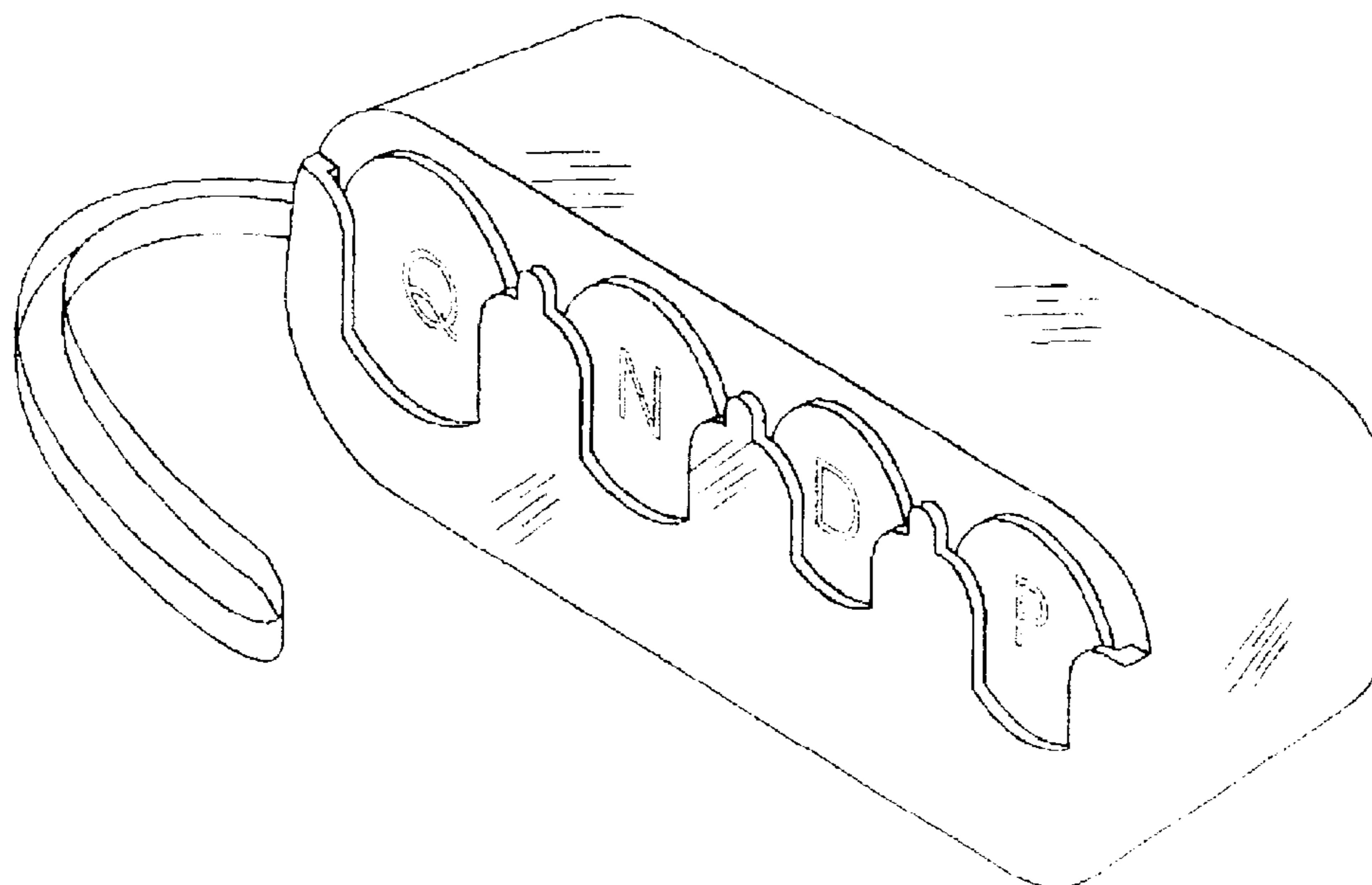
Primary Examiner—Paula A. Mortimer
(74) *Attorney, Agent, or Firm*—Mike M. Gauthier

The broken lines to the letters assigned to coin surfaces in FIGS. 1, 3, and 4 are for illustration purposes only and do not form part of the claimed design.

(57) **CLAIM**

I claim the ornamental design for the portable coin dispenser, as shown and described.

1 Claim, 2 Drawing Sheets



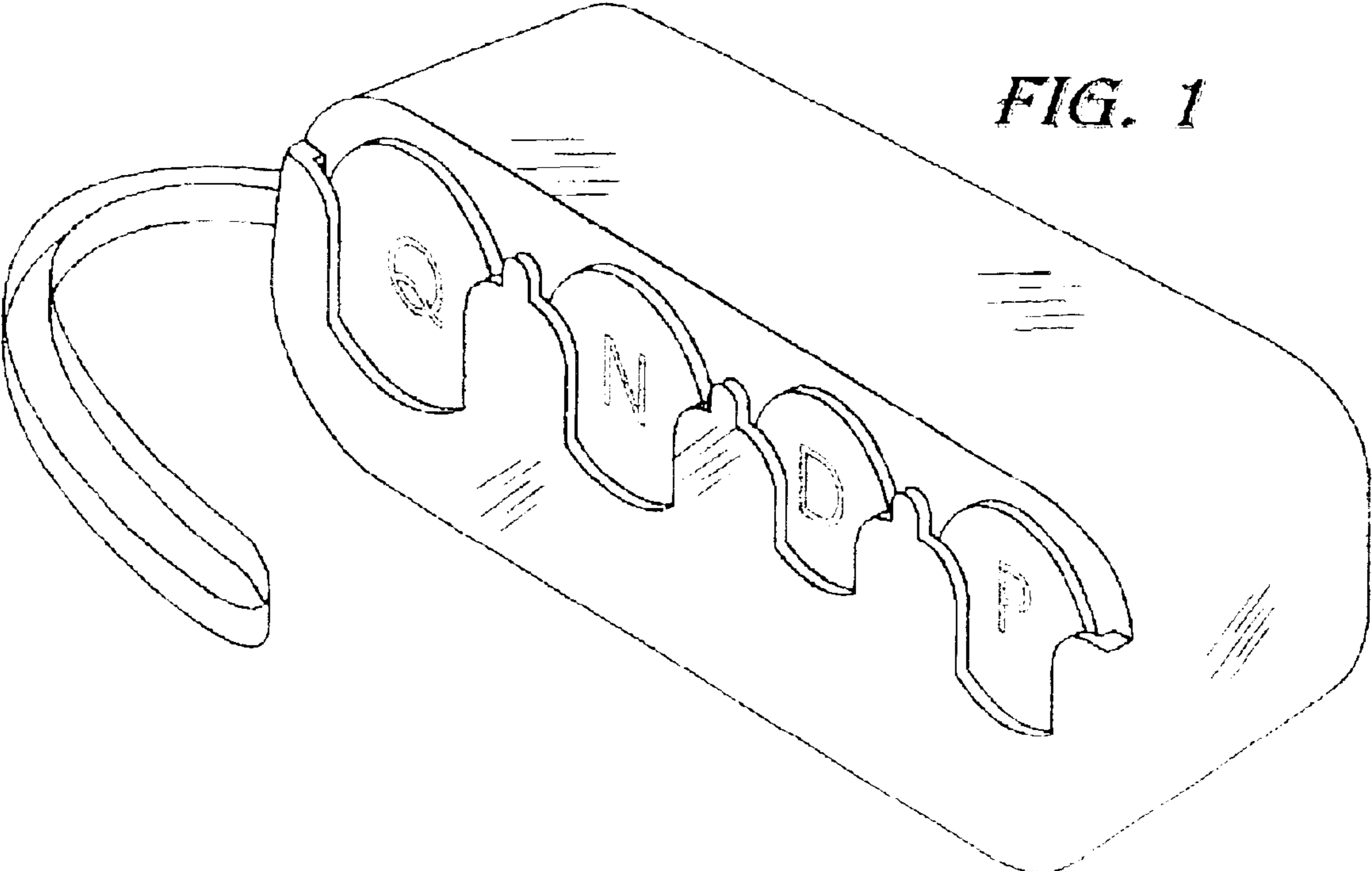


FIG. 2

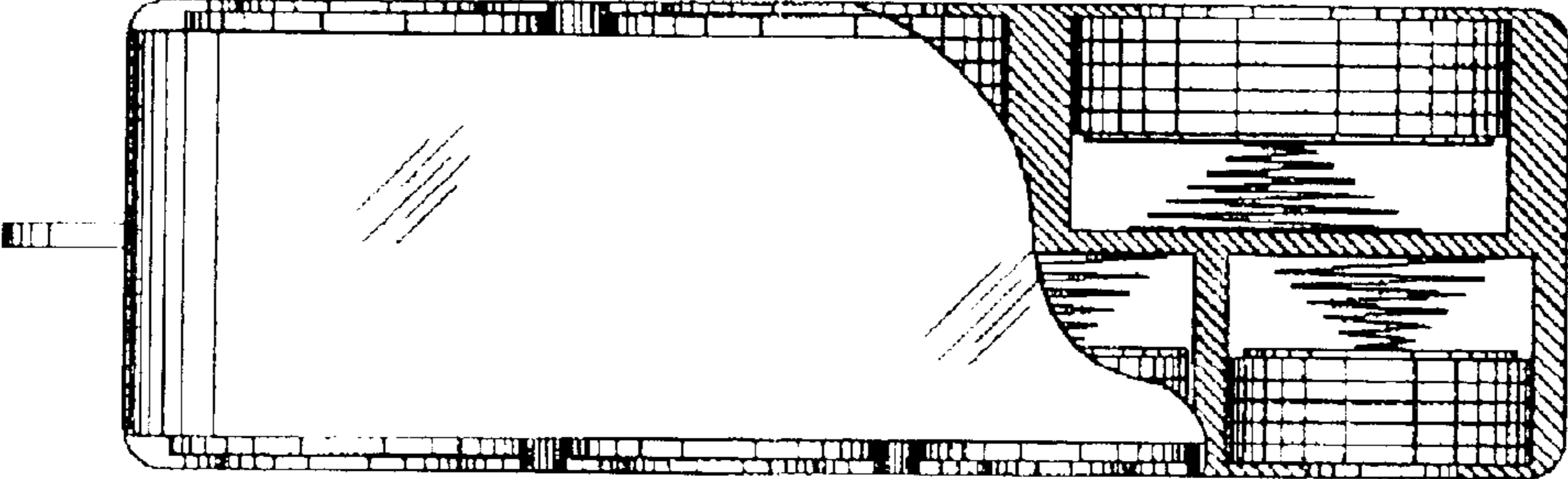


FIG. 3

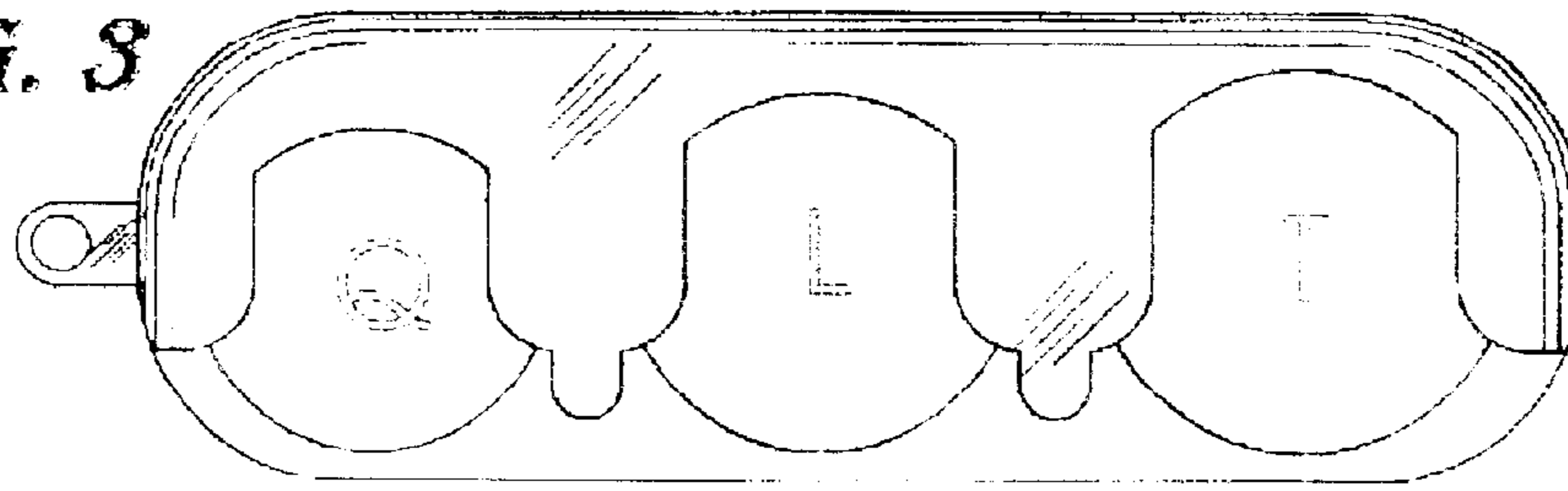


FIG. 4

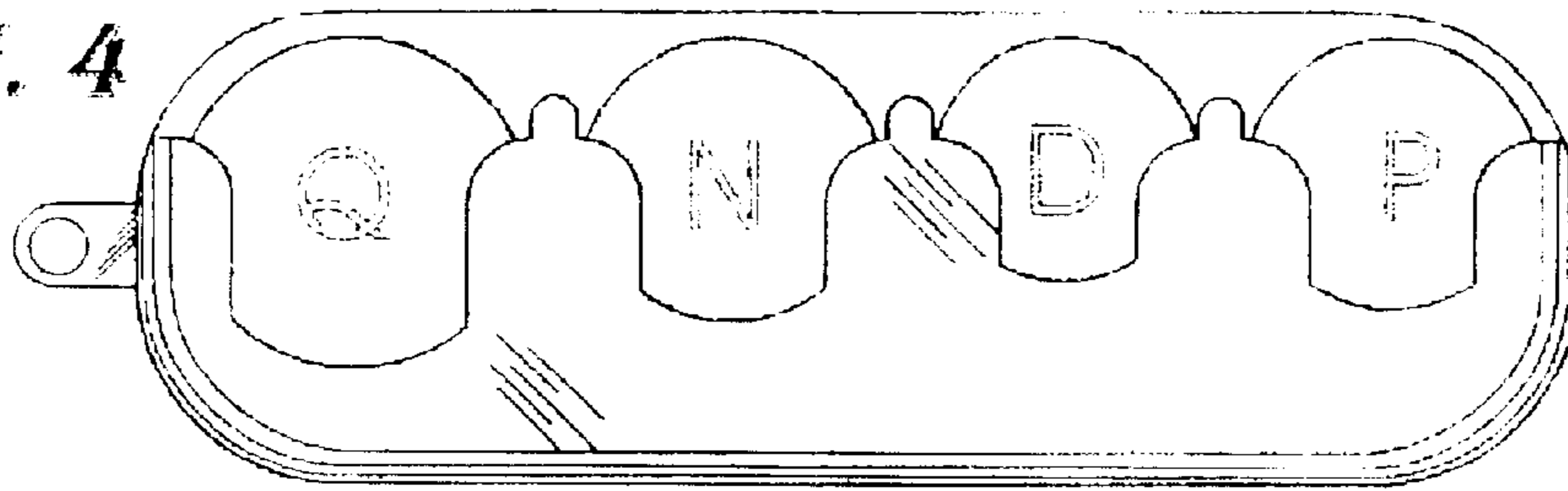


FIG. 5

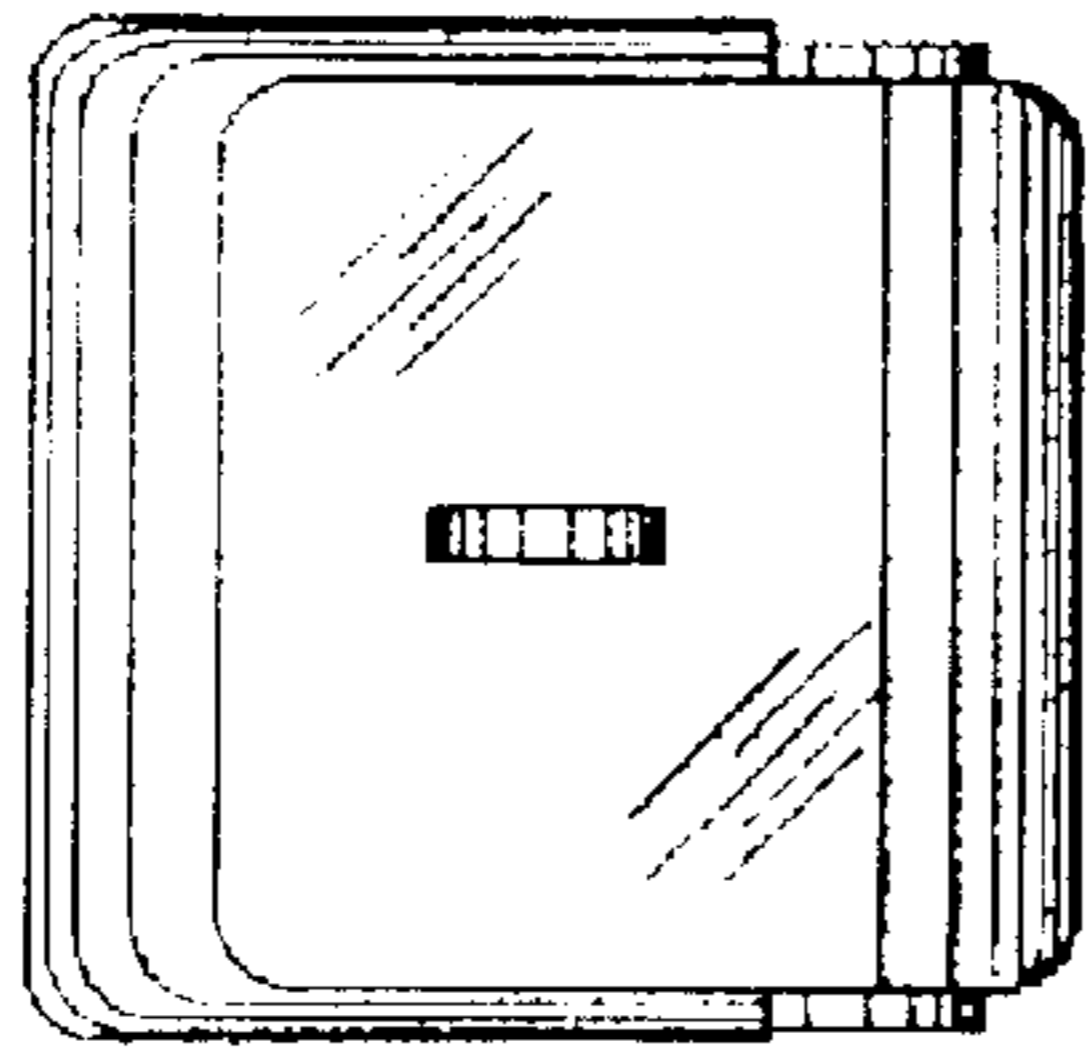


FIG. 6

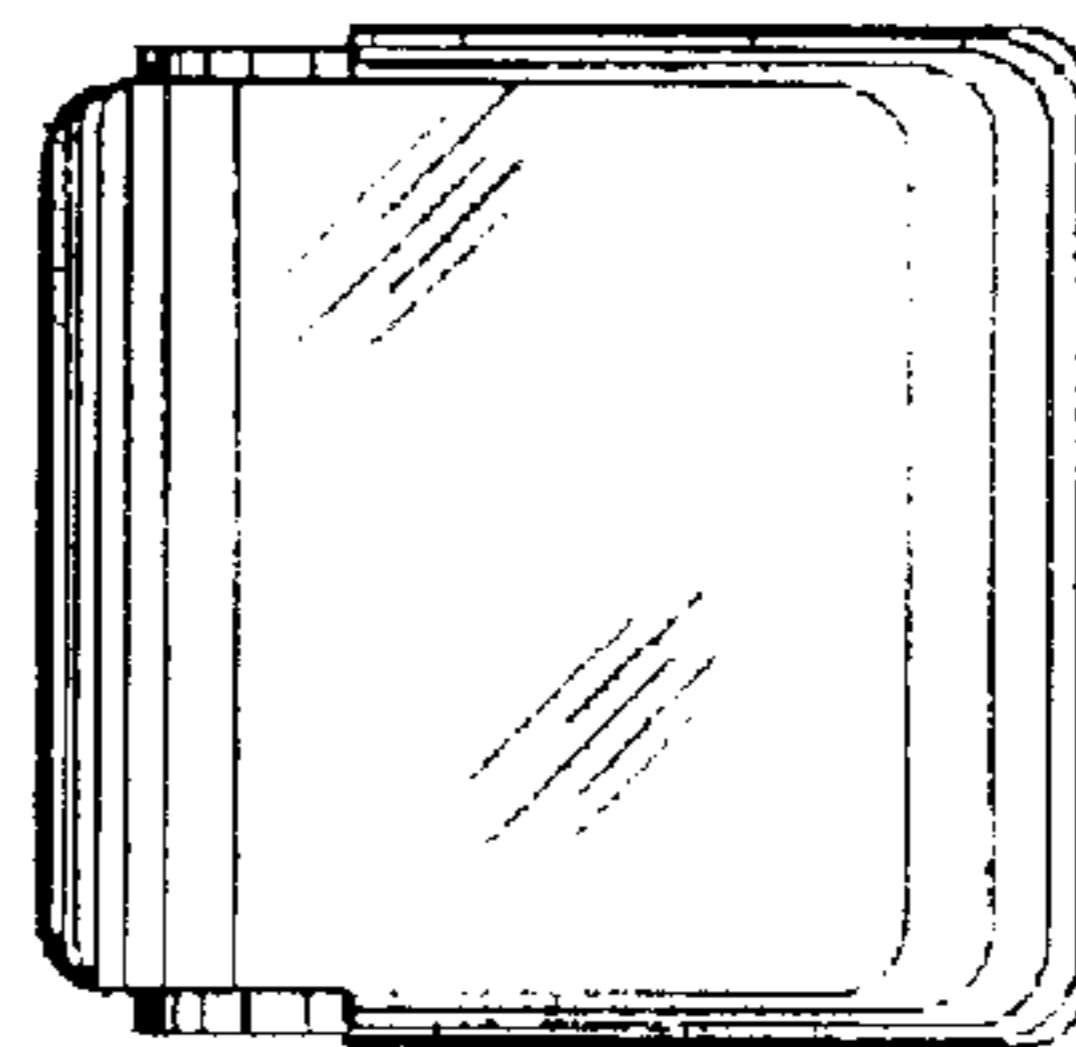


FIG. 7

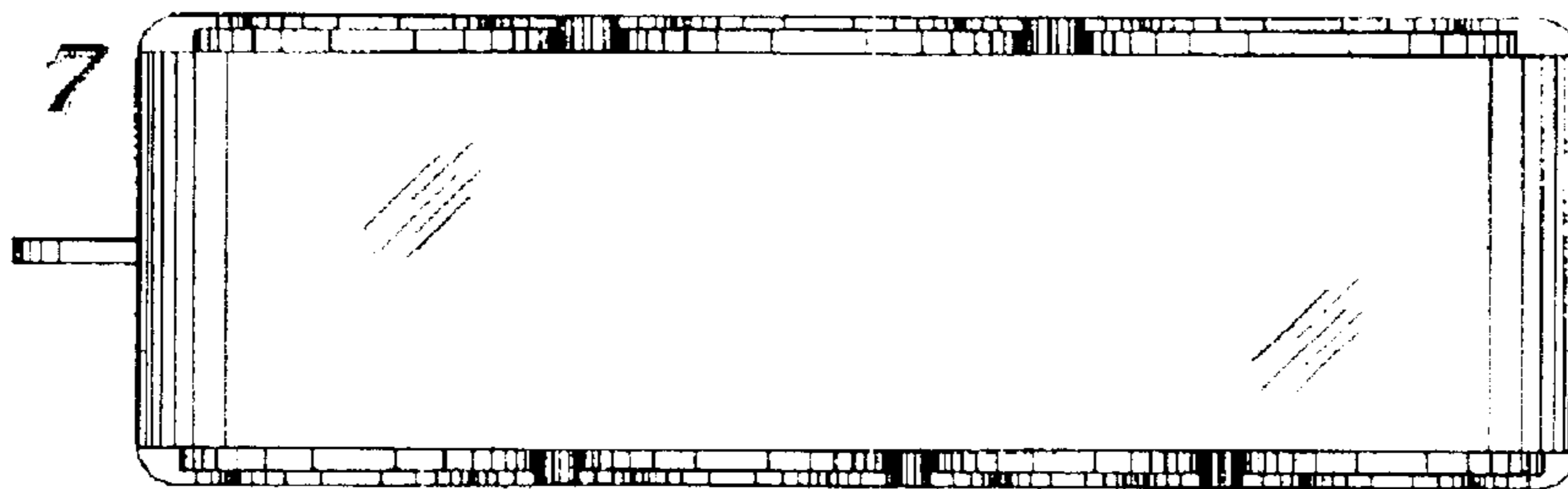


FIG. 8

