

US00D495107S1

(12) **United States Design Patent**
Thurm

(10) **Patent No.:** **US D495,107 S**

(45) **Date of Patent:** **** Aug. 24, 2004**

(54) **PORTABLE MOTORCYCLE LIFT**
(76) Inventor: **Kenneth R. Thurm**, 2348 N.
Rockridge Cir., Orange, CA (US) 92867
(**) Term: **14 Years**

6,575,310 B2 6/2003 Chamoun
6,579,055 B1 6/2003 Williams
6,598,855 B1 7/2003 Petrone et al.
6,648,300 B2 11/2003 Chamoun

(21) Appl. No.: **29/191,866**
(22) Filed: **Oct. 14, 2003**

(51) **LOC (7) Cl.** **12-05**
(52) **U.S. Cl.** **D34/28**
(58) **Field of Search** D34/28, 31; 254/88,
254/2 C, 8 R, 45, 124; D12/101, 406-408;
280/401, 402

OTHER PUBLICATIONS

Hot Bike 2003; p. 191; Handy Industries; "1500 B.O.B.". Kowa Precision Tools;
www.MotorcycleJacks.com; Aug. 4, 2003; Air Powered Hydraulic Motorcycle/ATV Work Station.
www.Lift-Buddy.com; Jun. 12, 2003; Hydraulic Foot Pump Operated Lift.
www.amazingproducts.com; Aug. 4, 2003; Amazing UpLife Motorcycle Lift.
www.masterhoist.com; Jun. 12, 2003; "Master Hoist".
www.masterhoist.com; Aug. 4, 2003; "Master Hoist".
www.MotorcycleJacks.com; Aug. 4, 2003; The MAL-2 'Show Edition' Motorcycle/ATV Jack.

(56) **References Cited**

U.S. PATENT DOCUMENTS

3,458,073 A *	7/1969	Dawson	414/462
4,460,158 A *	7/1984	Chiesa et al.	254/124
4,494,764 A	1/1985	Kelley	
4,681,299 A *	7/1987	Siebert	254/8 R
5,123,802 A *	6/1992	Bell	414/563
5,228,712 A *	7/1993	Speier	280/401
5,234,307 A *	8/1993	Scott	414/467
5,271,603 A	12/1993	White	
5,358,265 A	10/1994	Yaple	
5,462,398 A *	10/1995	Hymer	414/462
D378,155 S *	2/1997	Bartow et al.	D34/28
5,769,396 A	6/1998	Tischendorf	
5,839,875 A	11/1998	Miller et al.	
5,899,655 A	5/1999	Miller et al.	
5,979,878 A	11/1999	Blankenship	
D422,392 S *	4/2000	Weinstein	D34/12
6,092,787 A *	7/2000	Nayman	254/10 R
6,095,746 A *	8/2000	Bergin	414/430
6,338,470 B1 *	1/2002	Steely et al.	254/124
6,345,693 B1	2/2002	Yeo et al.	
D455,884 S *	4/2002	Ogrodnick	D34/28
6,371,449 B1	4/2002	Chamberlain	
6,464,207 B2	10/2002	Creel et al.	

* cited by examiner

Primary Examiner—Cynthia E. Ramirez
(74) *Attorney, Agent, or Firm*—Stetina Brunda Garred & Brucker

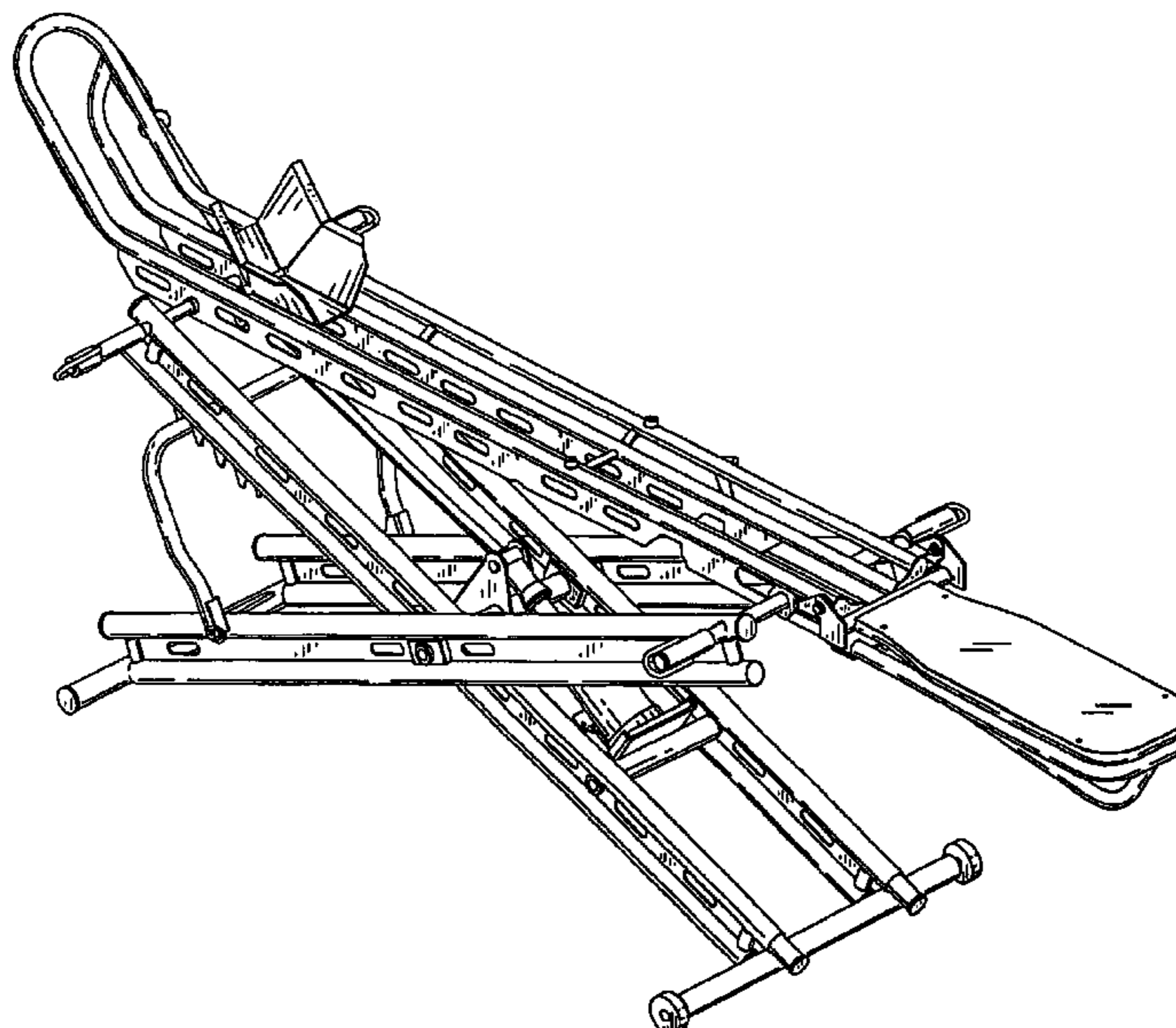
(57) **CLAIM**

The ornamental design for a portable motorcycle lift, as shown and described.

DESCRIPTION

FIG. 1 is a front perspective view of the portable motorcycle lift of the present invention showing my new design; FIG. 2 is a top plan view thereof; FIG. 3 is a front elevational view thereof; FIG. 4 is a rear elevational view thereof; FIG. 5 is a bottom plan view thereof; FIG. 6 is a left end elevational view thereof; and, FIG. 7 is a right end elevational view thereof.

1 Claim, 4 Drawing Sheets



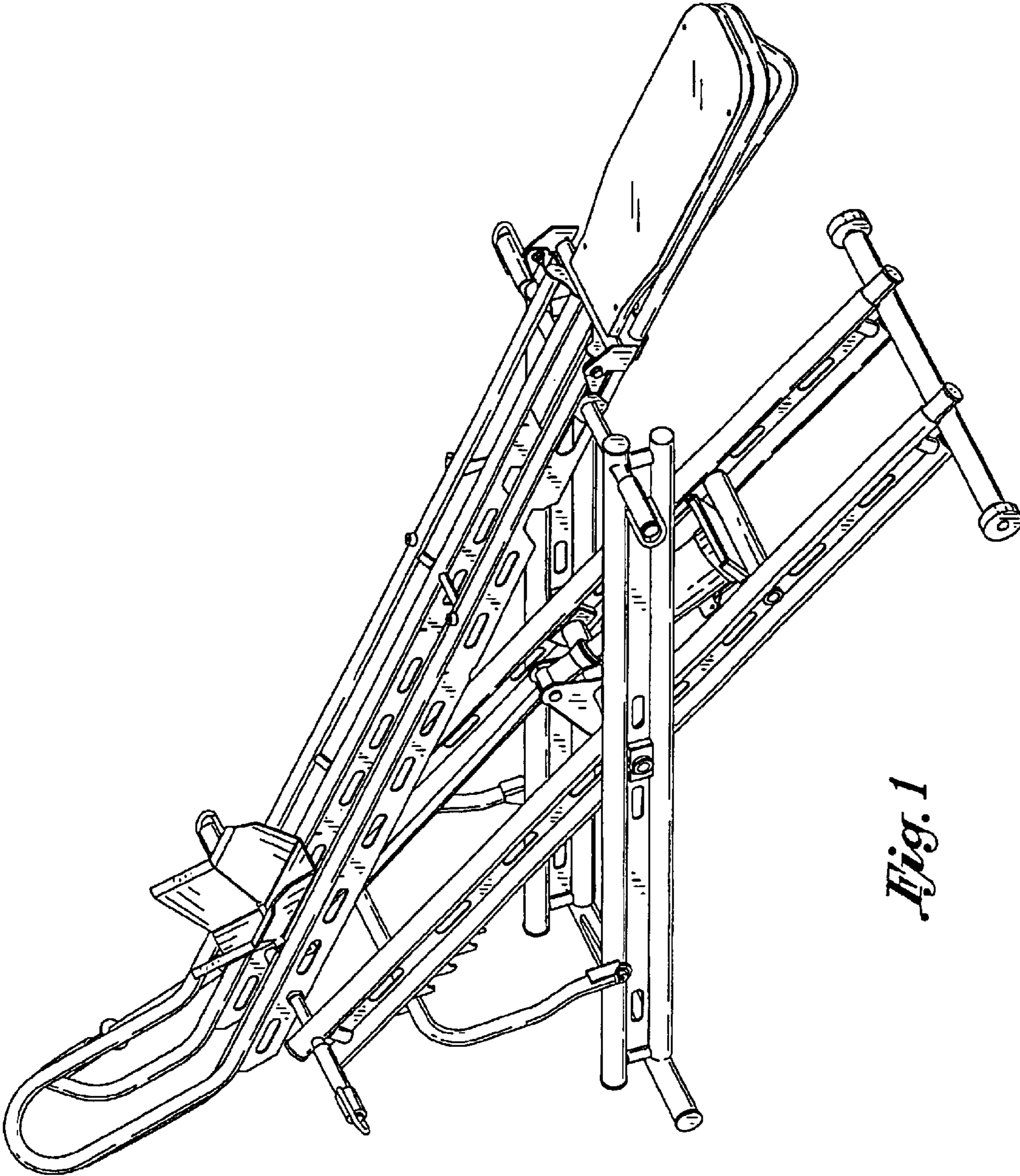


Fig. 1

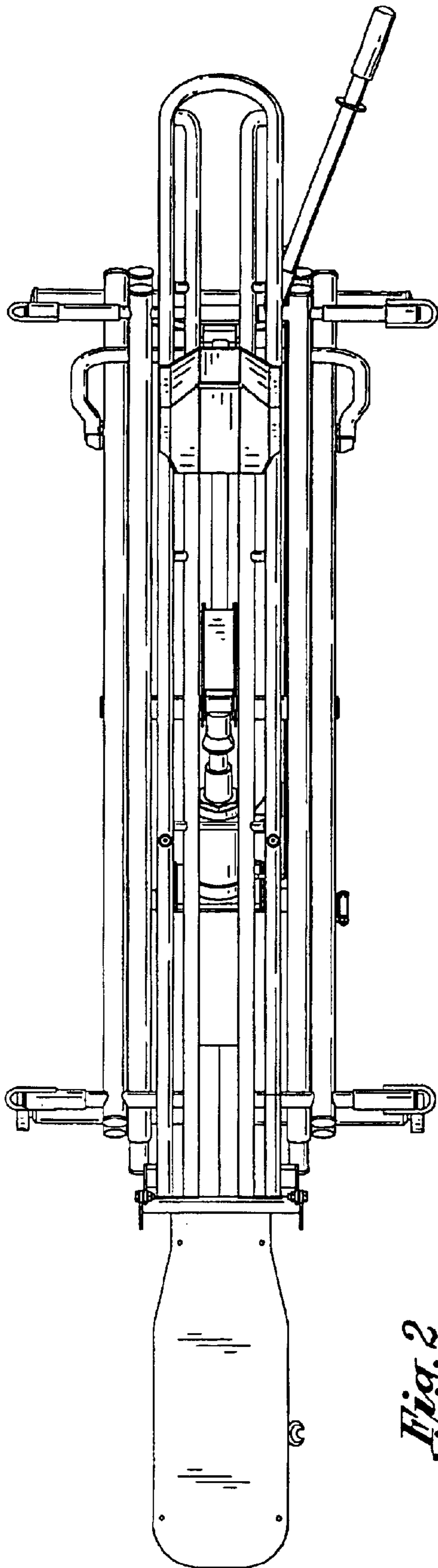


Fig. 2

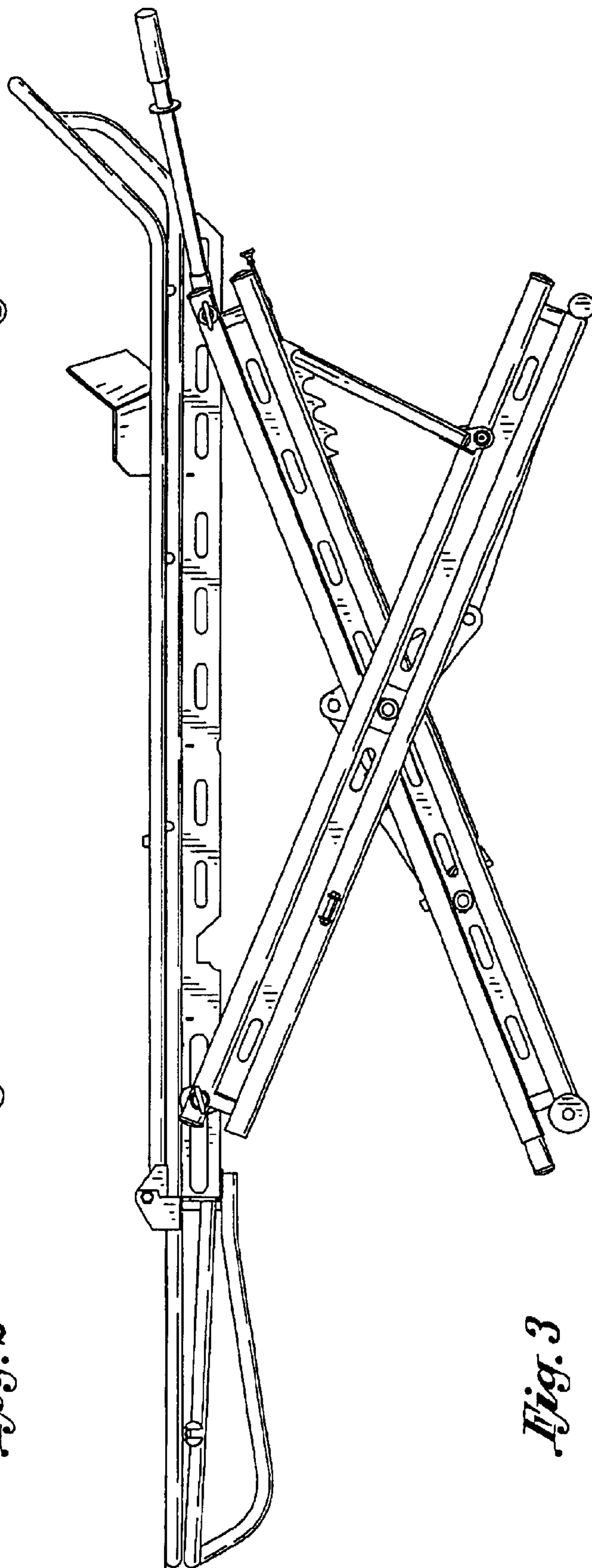


Fig. 3

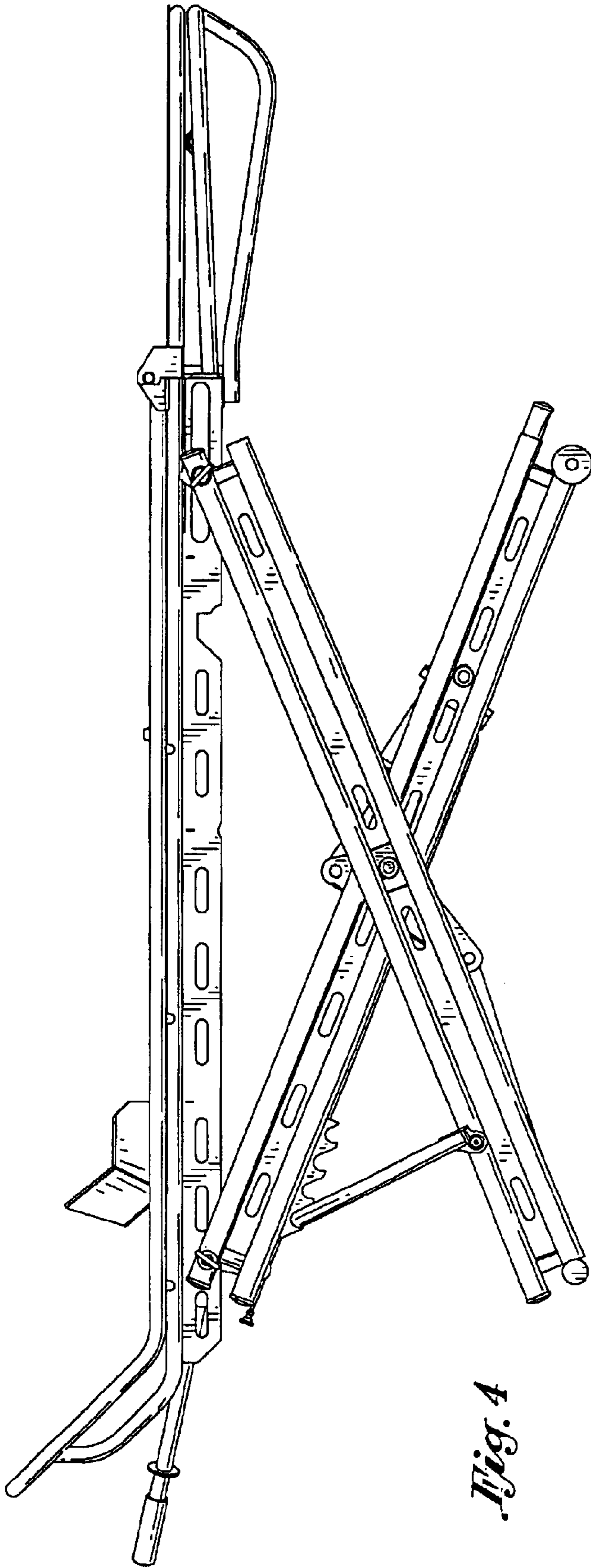


Fig. 4

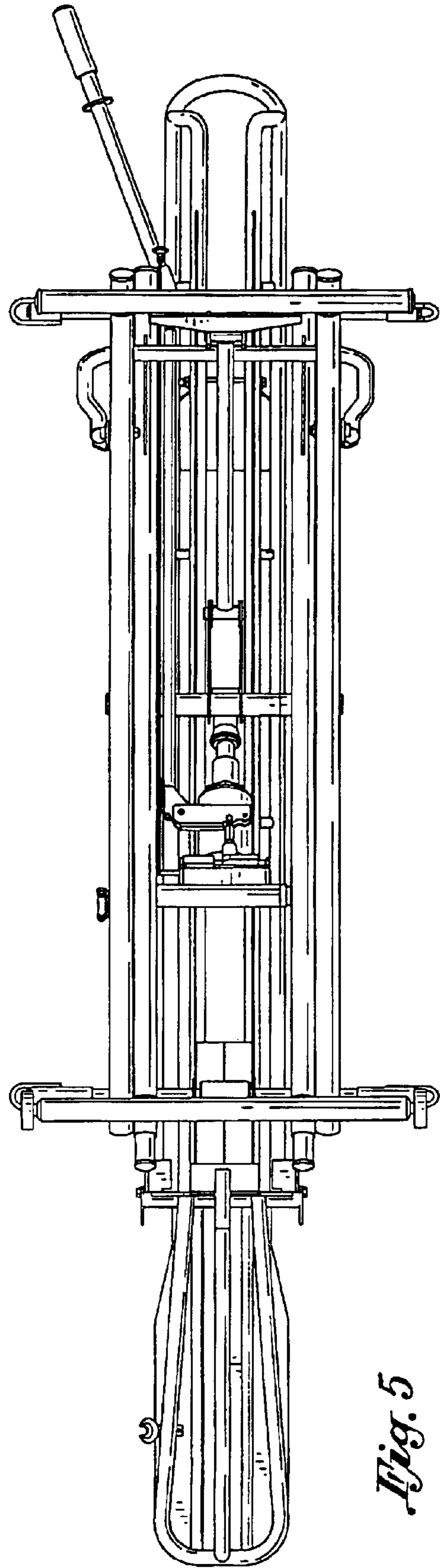


Fig. 5

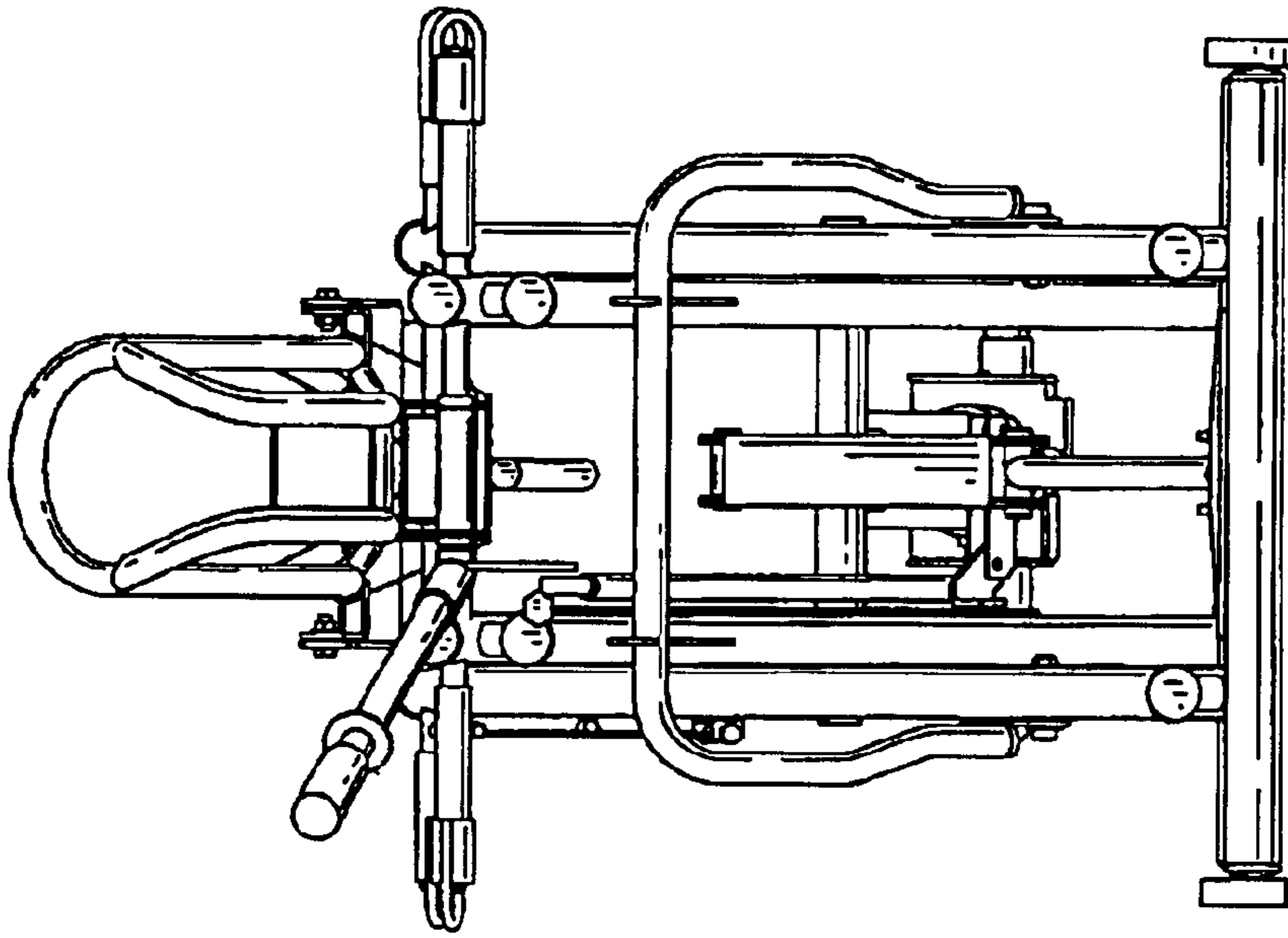


Fig. 7

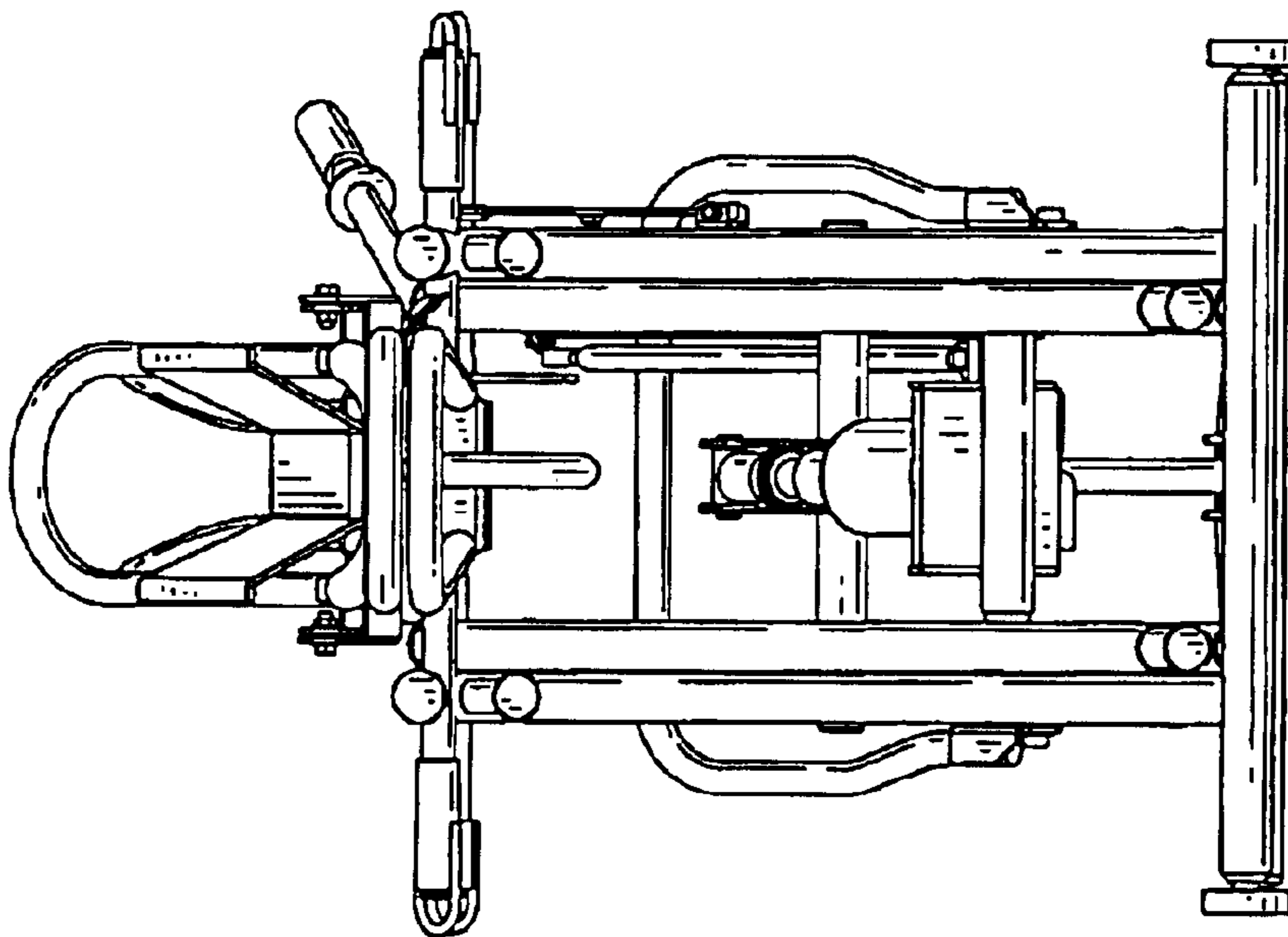


Fig. 6