



US00D495106S1

(12) **United States Design Patent**
Leyden et al.

(10) **Patent No.: US D495,106 S**
(45) **Date of Patent: ** Aug. 24, 2004**

(54) **DUAL AGITATOR NOZZLE FOR VACUUM CLEANER**

(75) Inventors: **Christian S. Leyden**, Danville, KY (US); **Morgan S. Brown**, Danville, KY (US)

(73) Assignee: **Matsushita Electric Corporation of America**, Secaucus, NJ (US)

(**) Term: **14 Years**

(21) Appl. No.: **29/187,358**

(22) Filed: **Jul. 31, 2003**

(51) **LOC (7) Cl. 15-05**

(52) **U.S. Cl. D32/32**

(58) **Field of Search** D32/21-22, 31-33; 15/350, 352-355, 321-322, 346-347, 412, 400, 327.1-327.7, 410, 414, 373, 381, 383, 415.1-422.1, 366

(56) **References Cited**

U.S. PATENT DOCUMENTS

D329,512 S * 9/1992 McKnight et al. D32/32
D331,991 S * 12/1992 Wright et al. D32/32
D418,267 S * 12/1999 Lin D32/32

D440,019 S 4/2001 Mehaffey et al.
D456,965 S * 5/2002 Paterson et al. D32/32
D459,561 S 6/2002 Leyden
D469,937 S 2/2003 Leyden
D473,687 S * 4/2003 Kaffenberger D32/33
D473,986 S * 4/2003 Parr et al. D32/32

* cited by examiner

Primary Examiner—Ruth McInroy

(74) *Attorney, Agent, or Firm*—King & Schickli, PLLC

(57) **CLAIM**

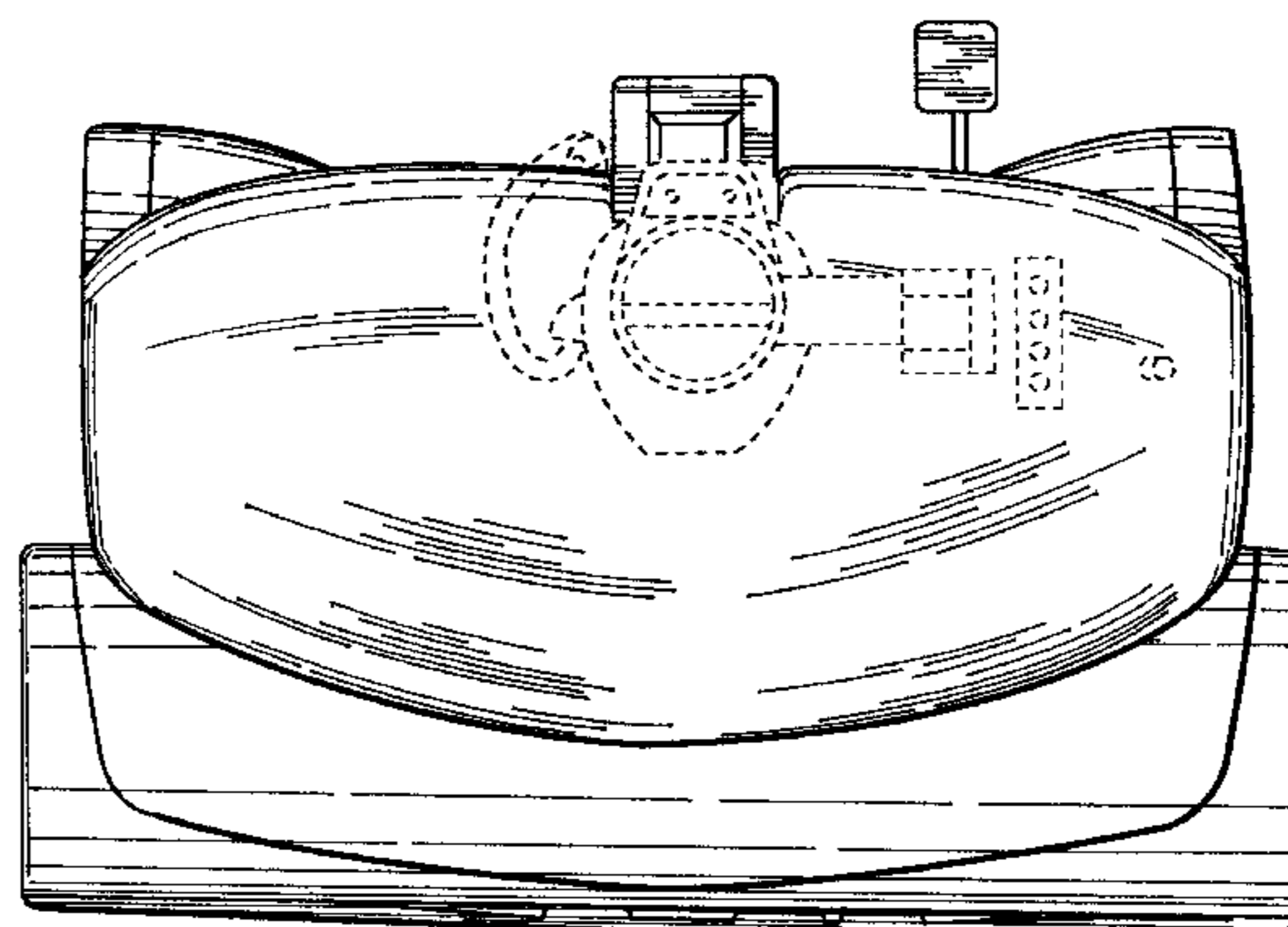
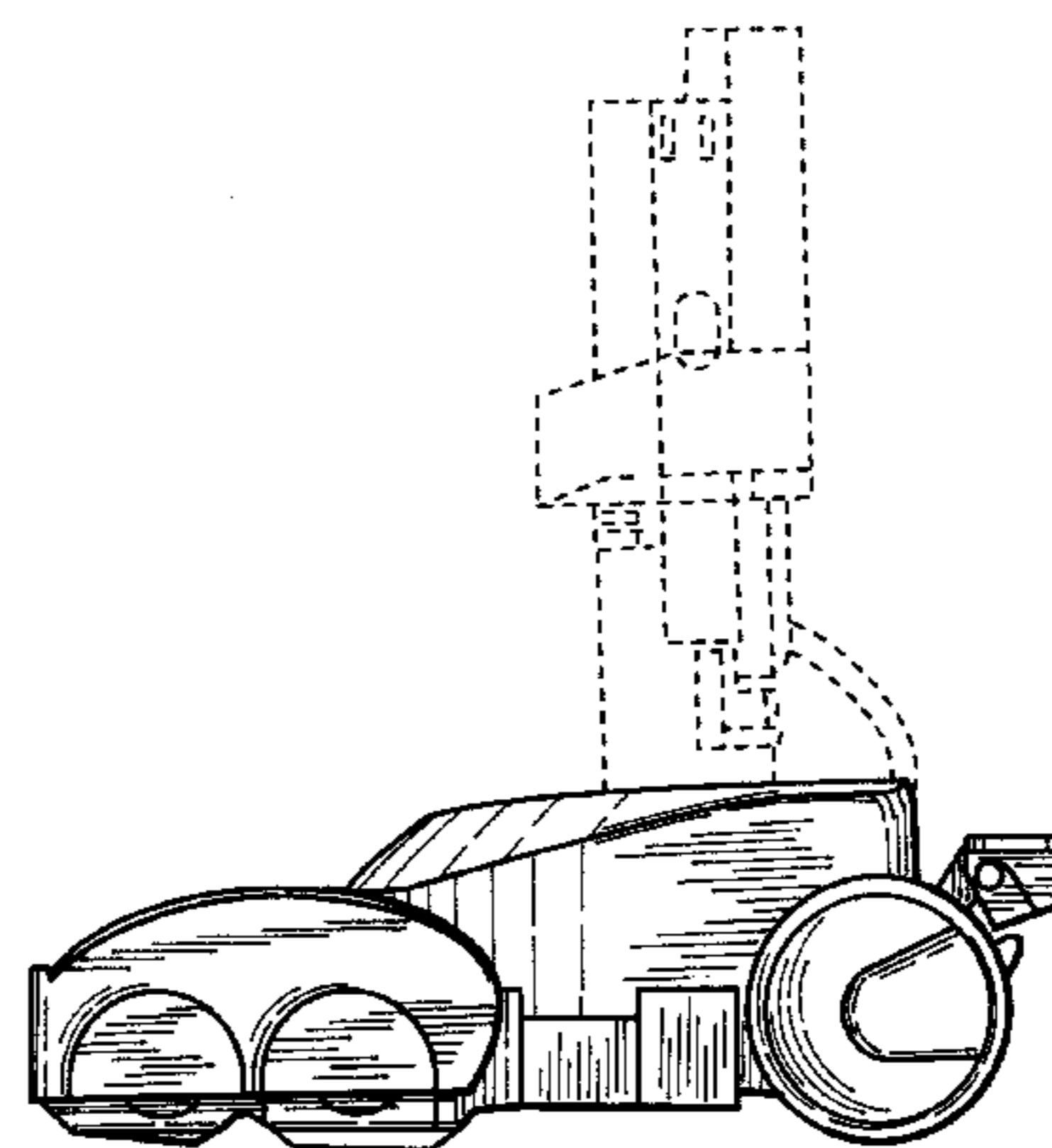
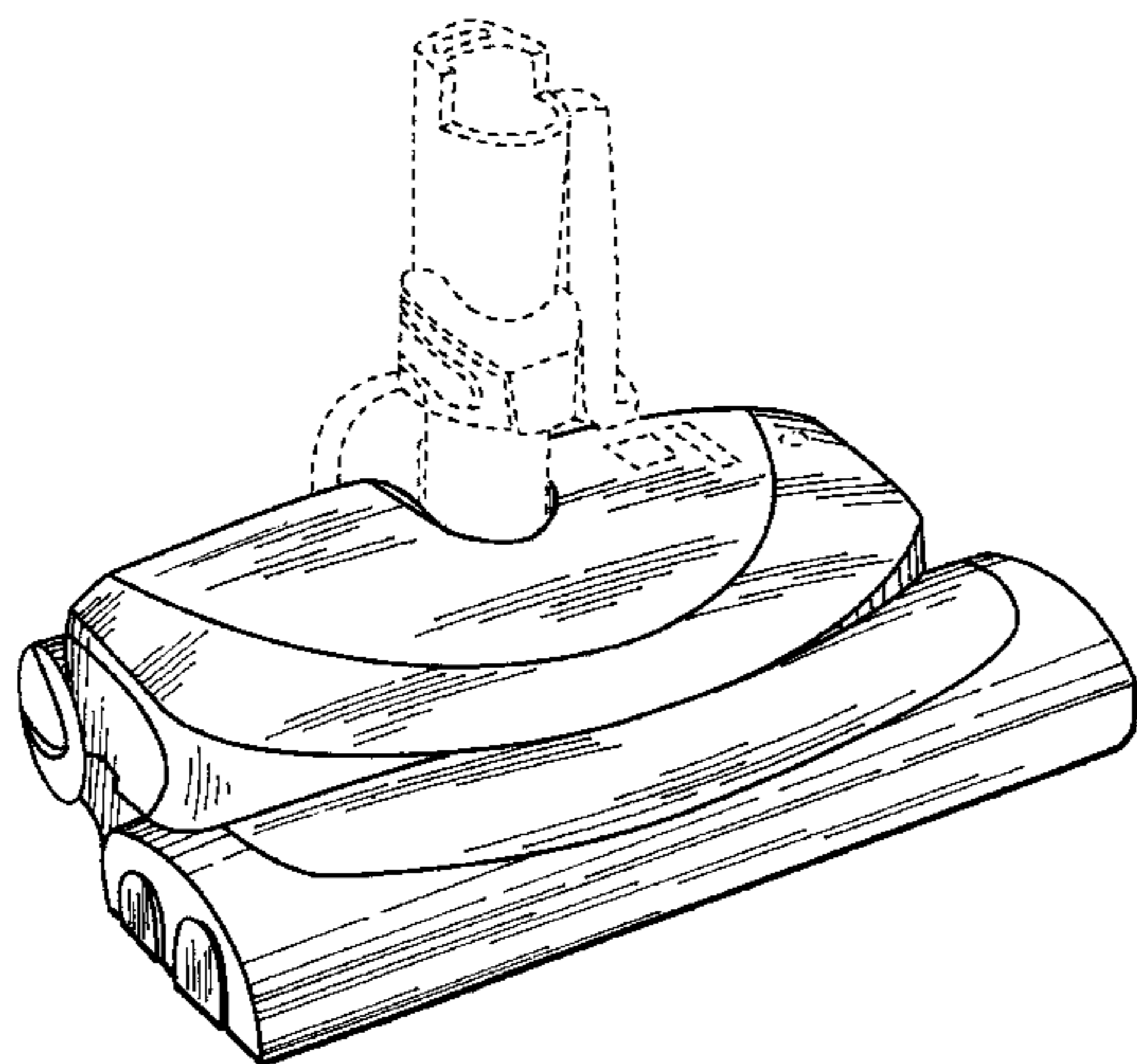
The ornamental design of a dual agitator nozzle for vacuum cleaner, as shown and described.

DESCRIPTION

FIG. 1 is a perspective view of a dual agitator nozzle for vacuum cleaner showing our new design; FIG. 2 is a front elevational view thereof; FIG. 3 is a right side elevational view thereof; FIG. 4 is a rear elevational view thereof; FIG. 5 is a left side elevational view thereof; and, FIG. 6 is a top plan view thereof.

The details shown in broken lines are for illustrative purposes only and form no part of the claimed design.

1 Claim, 3 Drawing Sheets



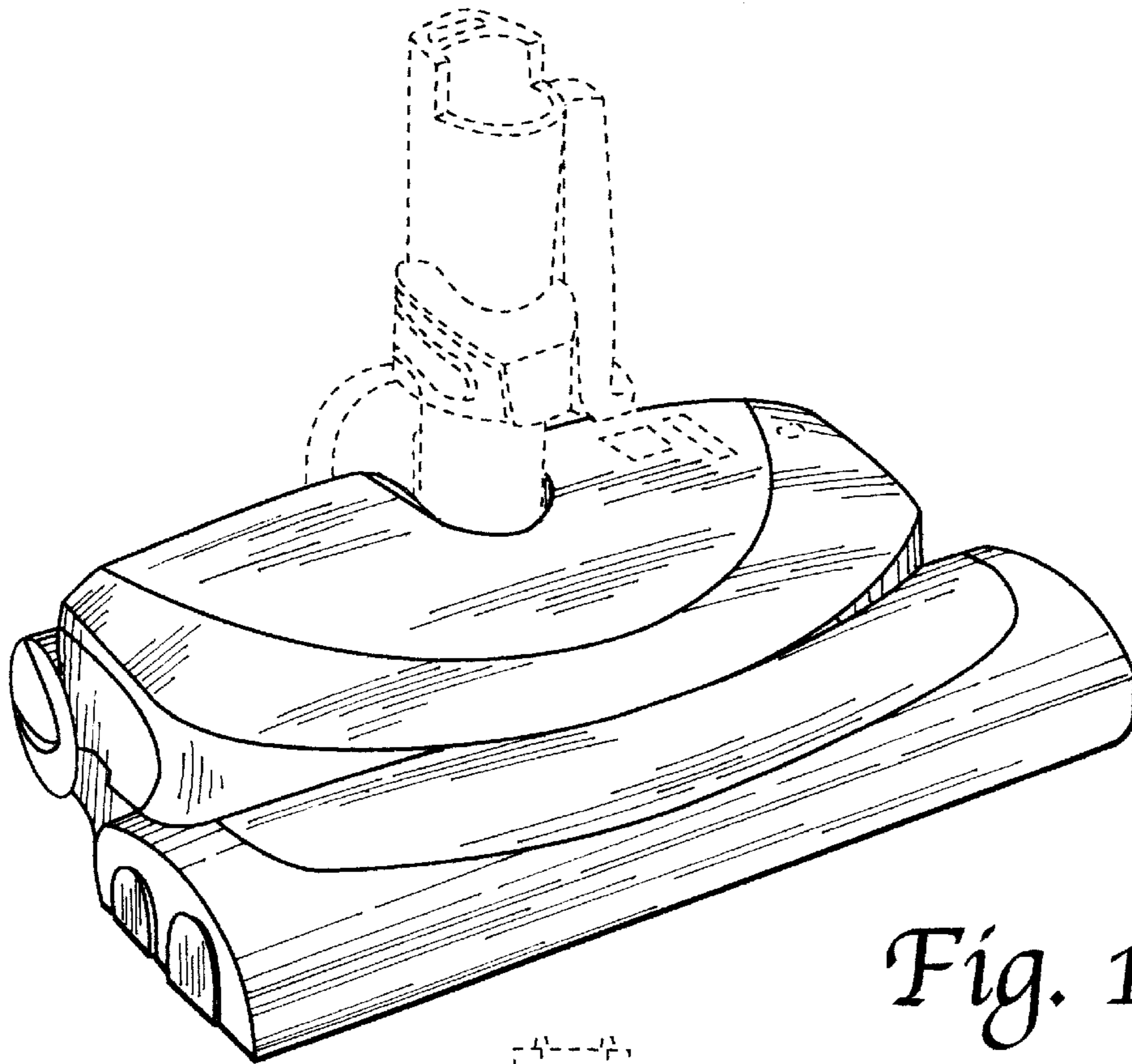


Fig. 1

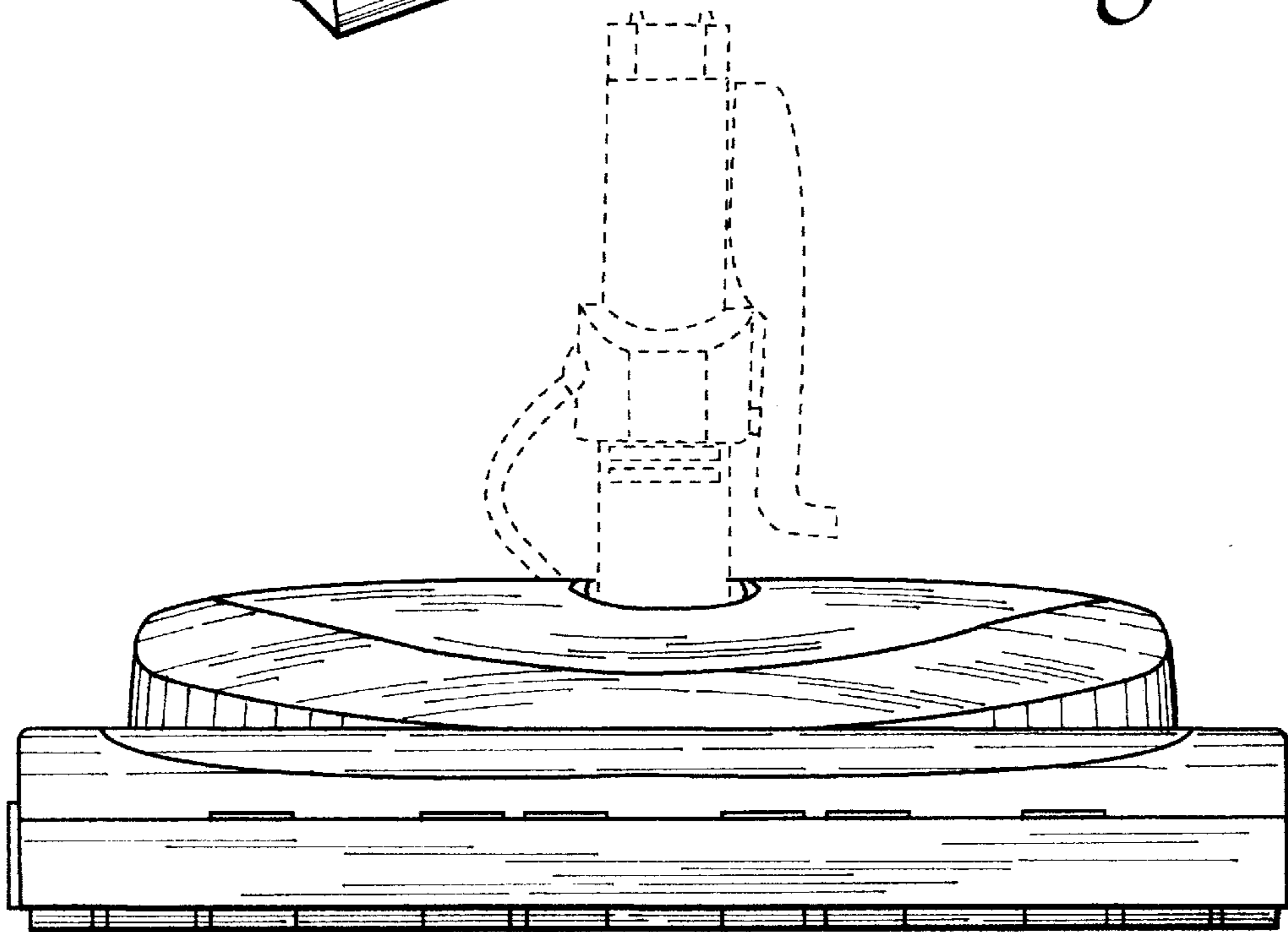


Fig. 2

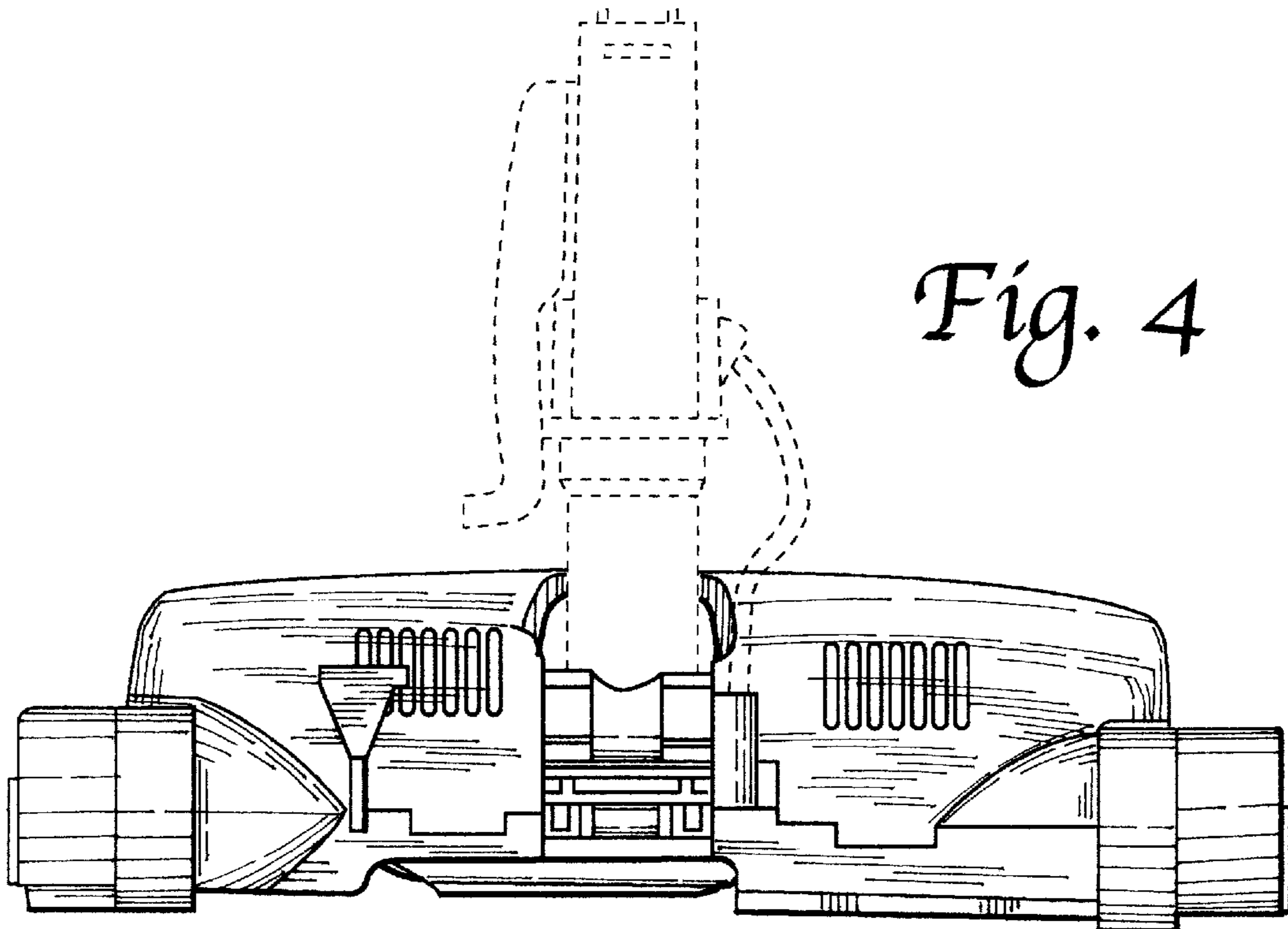
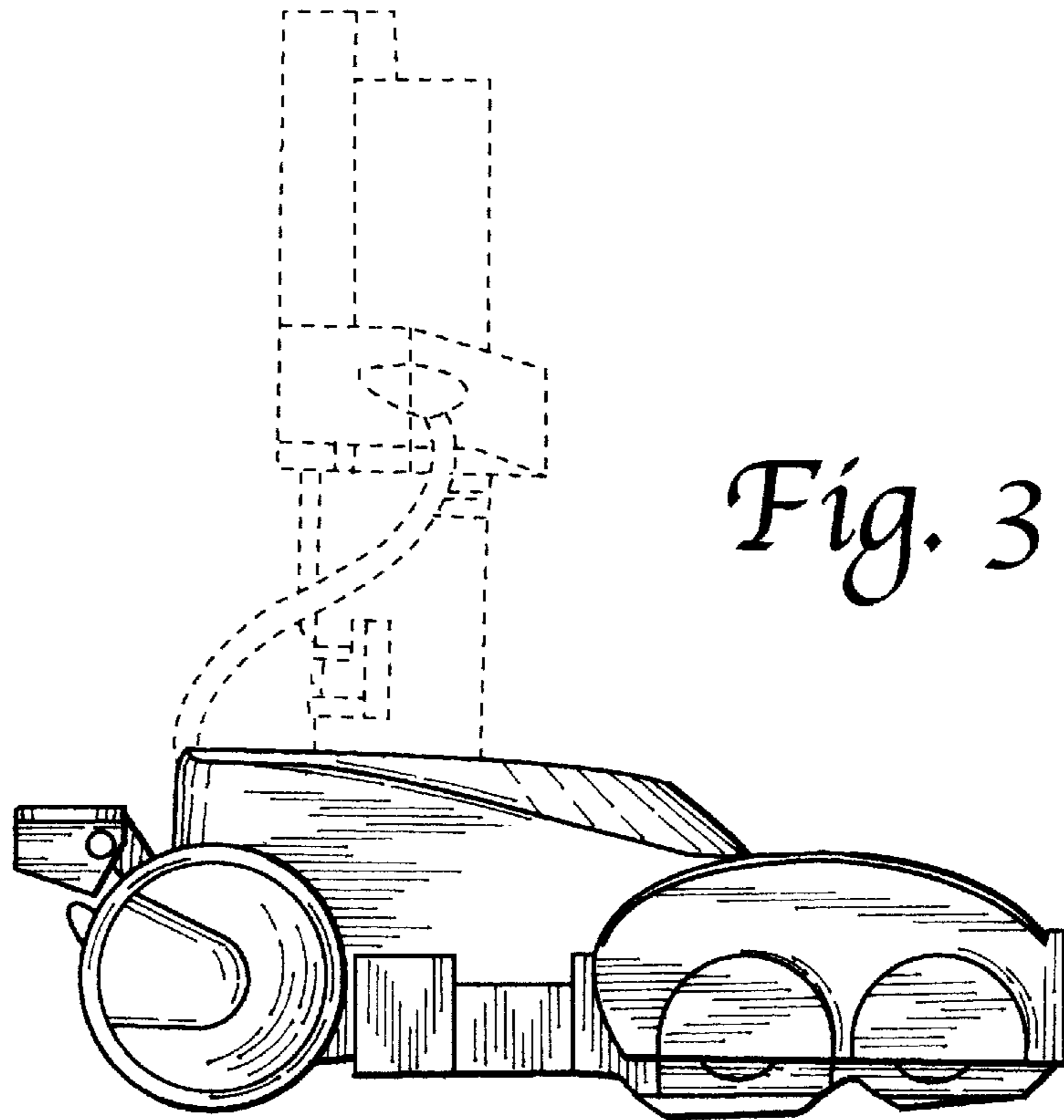


Fig. 5

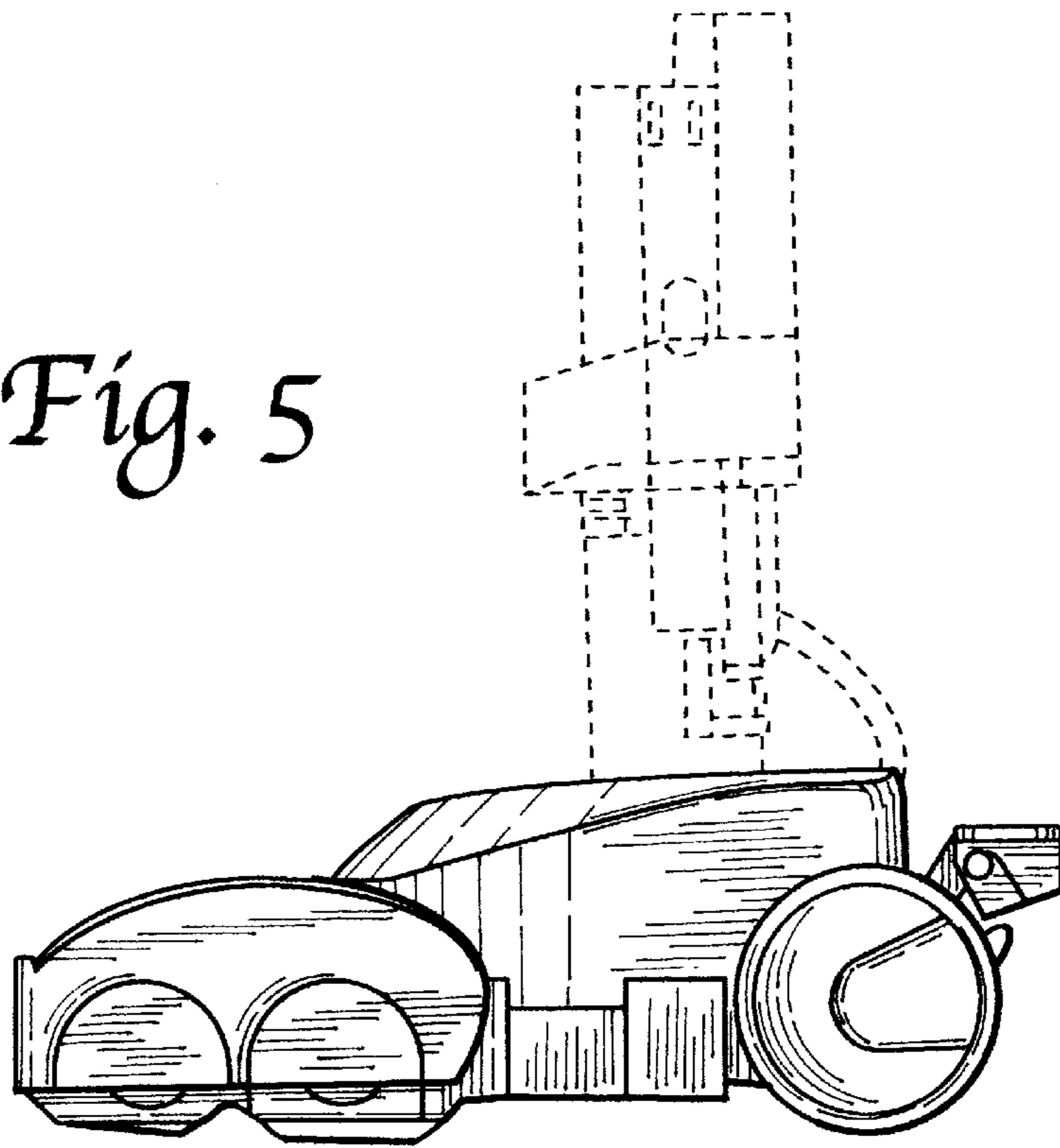


Fig. 6

