

US00D495104S1

(12) **United States Design Patent**
Kaczmarek

(10) **Patent No.:** **US D495,104 S**

(45) **Date of Patent:** **** Aug. 24, 2004**

(54) **DISHWASHER**

5,908,227 A * 6/1999 Wilhelmstatter et al. ... 312/204
6,622,740 B1 * 9/2003 Durazzani 134/201

(75) **Inventor:** **Wolfgang Kaczmarek, Schwindegg**
(DE)

* cited by examiner

(73) **Assignee:** **BSH Bosch und Siemens Hausgerate**
GmbH, Munich (DE)

Primary Examiner—Louis S. Zarfaz

Assistant Examiner—Robert A Delehanty

(**) **Term:** **14 Years**

(74) *Attorney, Agent, or Firm*—Laurence A. Greenberg;
Werner H. Stemer; Gregory L. Mayback

(21) **Appl. No.:** **29/182,989**

(57) **CLAIM**

(22) **Filed:** **Jun. 4, 2003**

The ornamental design for a dishwasher, as shown and described.

(30) **Foreign Application Priority Data**

DESCRIPTION

Dec. 4, 2002 (DE) 40 210 179

(51) **LOC (7) Cl.** **15-05**

(52) **U.S. Cl.** **D32/3**

(58) **Field of Search** D32/1-3, 5-6,
D32/8, 25, 28; D7/340, 405, 348-351;
68/212; 312/31, 228, 228.1, 204; 134/113,
201, 57 D, 57 DL, 56 D, 58 D, 58 DL

FIG. 1 is a front perspective view of the dishwasher;
FIG. 2 is a left side view thereof, the right side view being
a mirror-image;
FIG. 3 is a front side view thereof; and,
FIG. 4 is a top side view thereof.

The dishwasher includes a plain and unornamented top, rear,
and bottom, which are not shown.

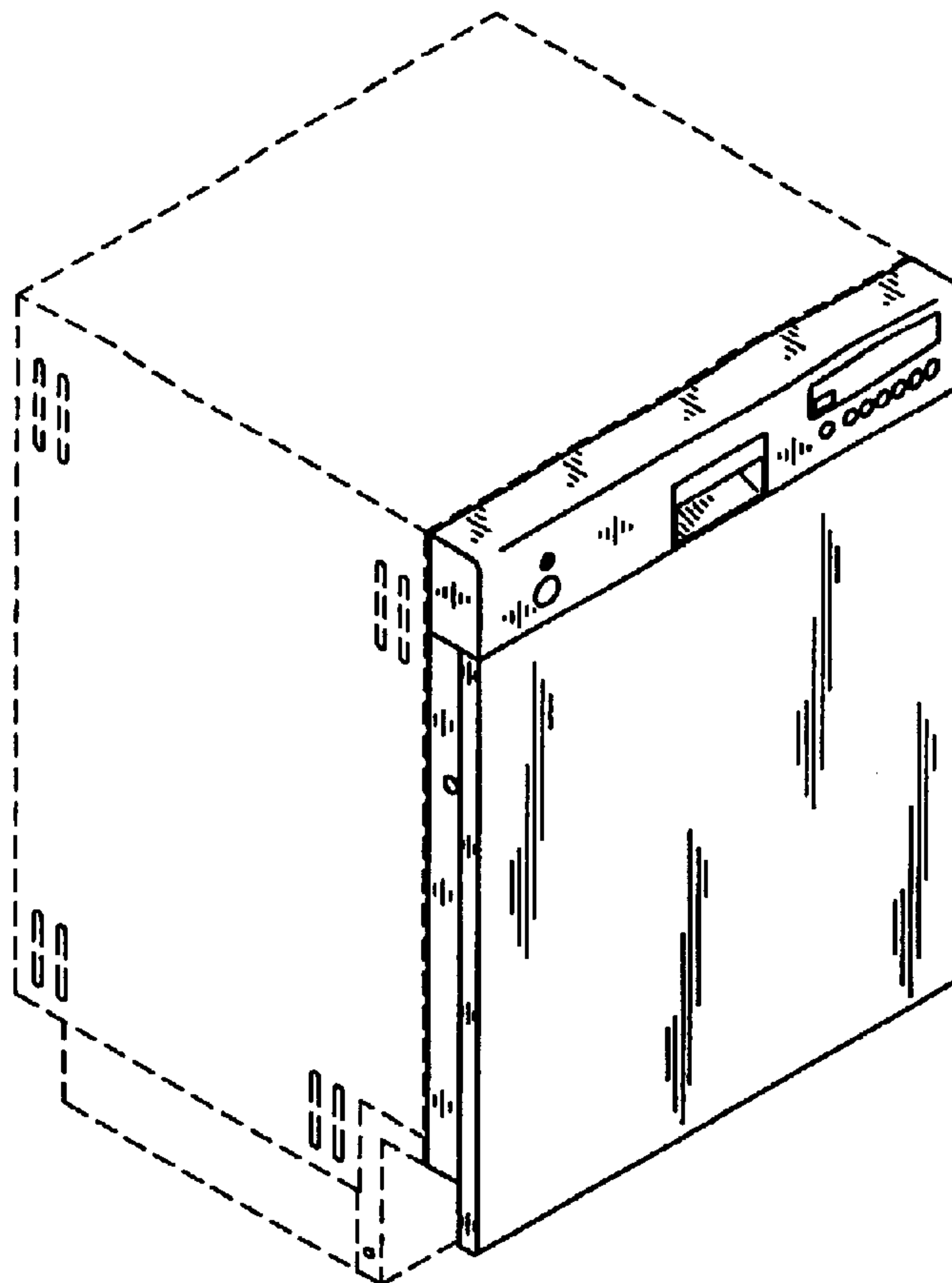
The broken line showing of portions of the dishwasher is for
illustrative purposes only and forms no part of the claimed
design.

(56) **References Cited**

U.S. PATENT DOCUMENTS

D377,853 S * 2/1997 Sparks D32/3

1 Claim, 2 Drawing Sheets



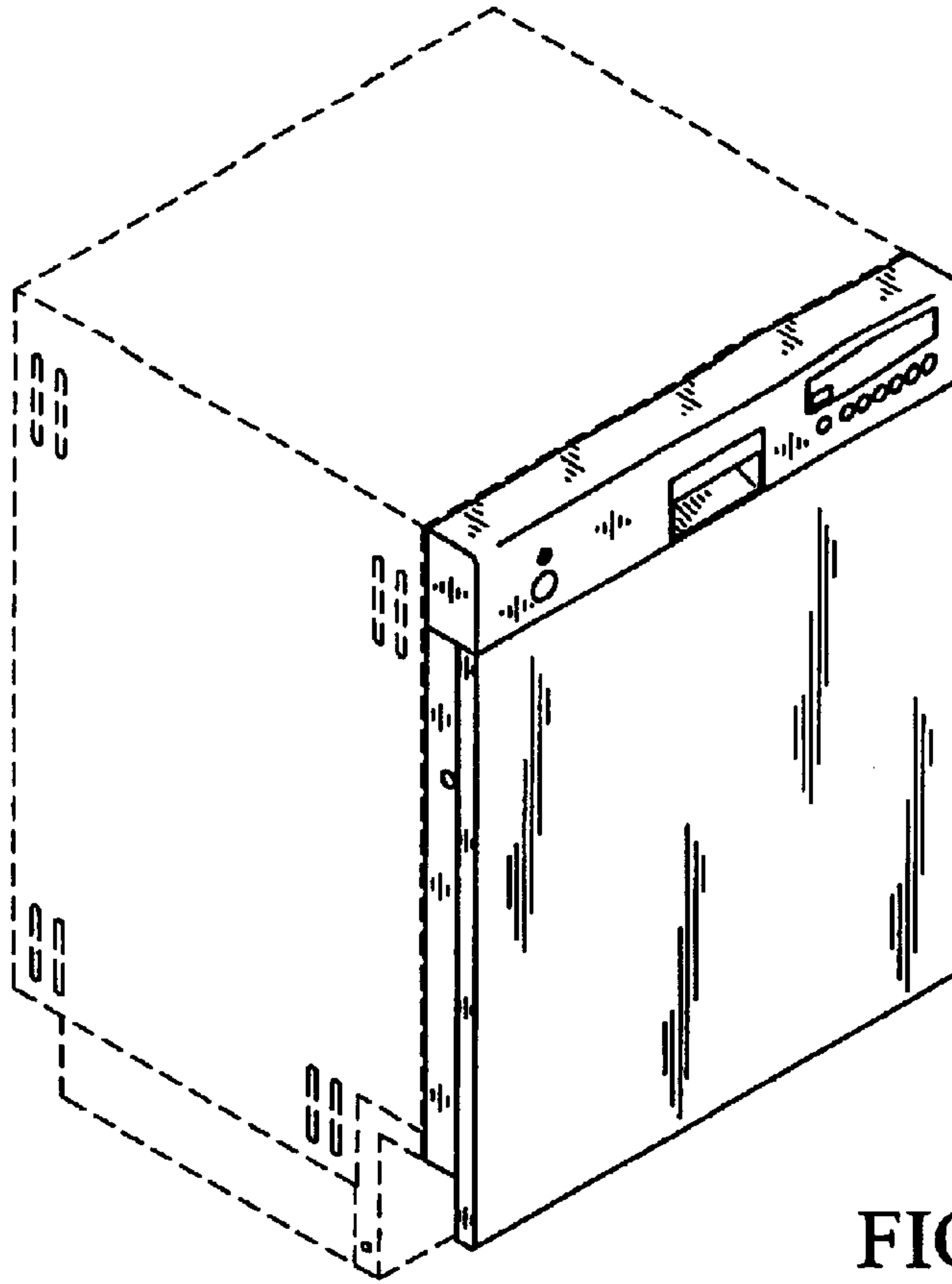


FIG. 1

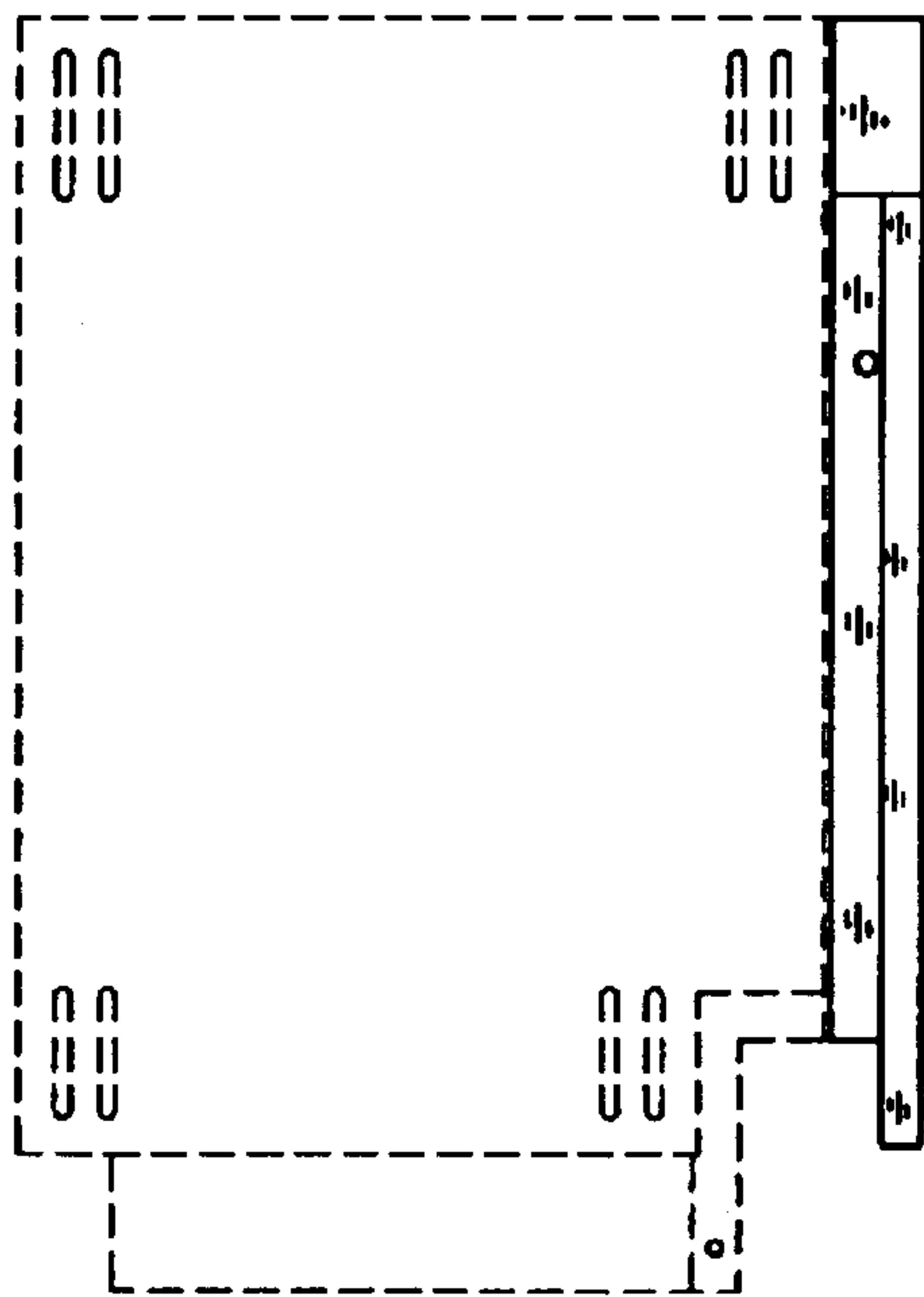


FIG. 2

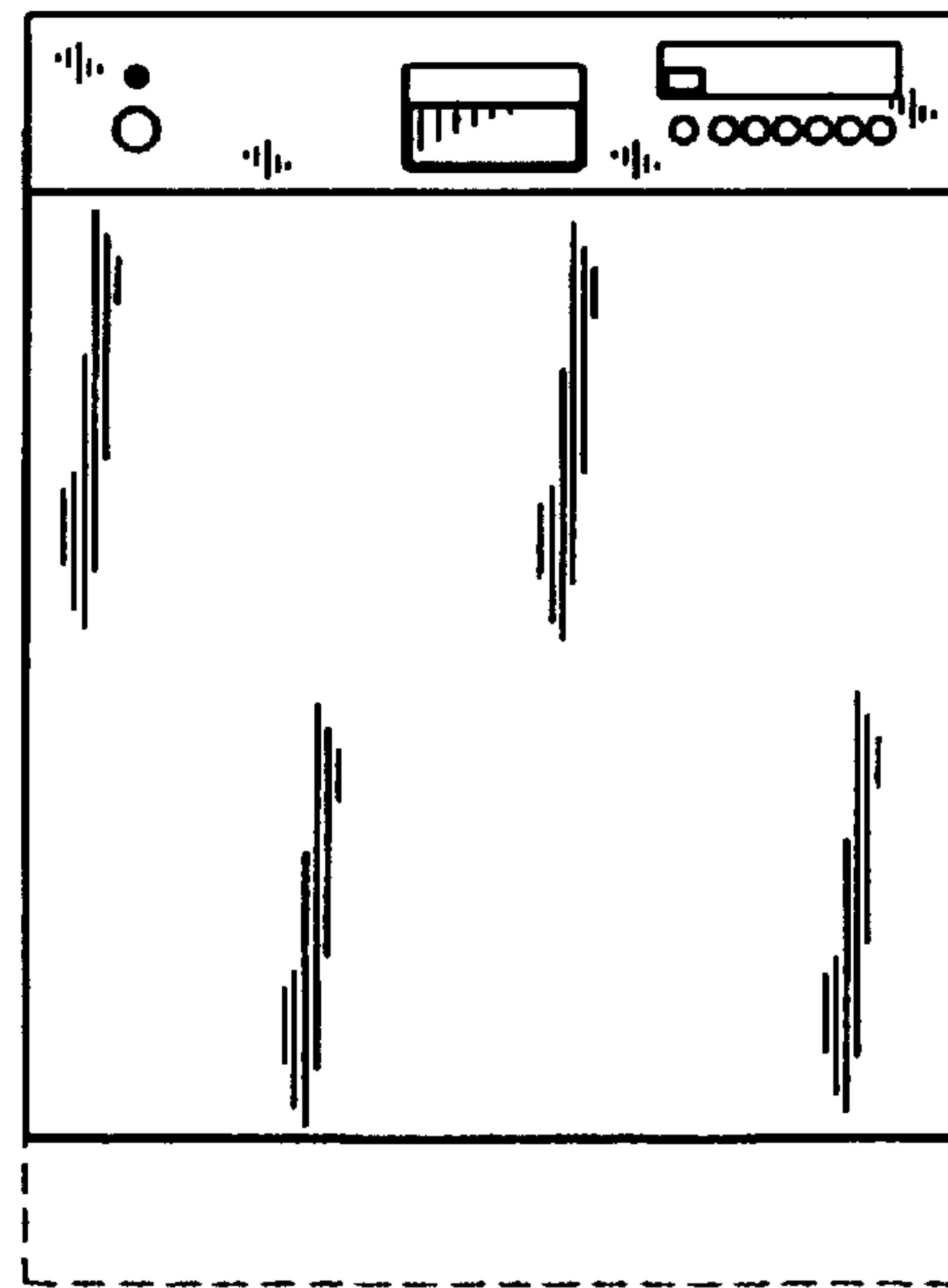


FIG. 3

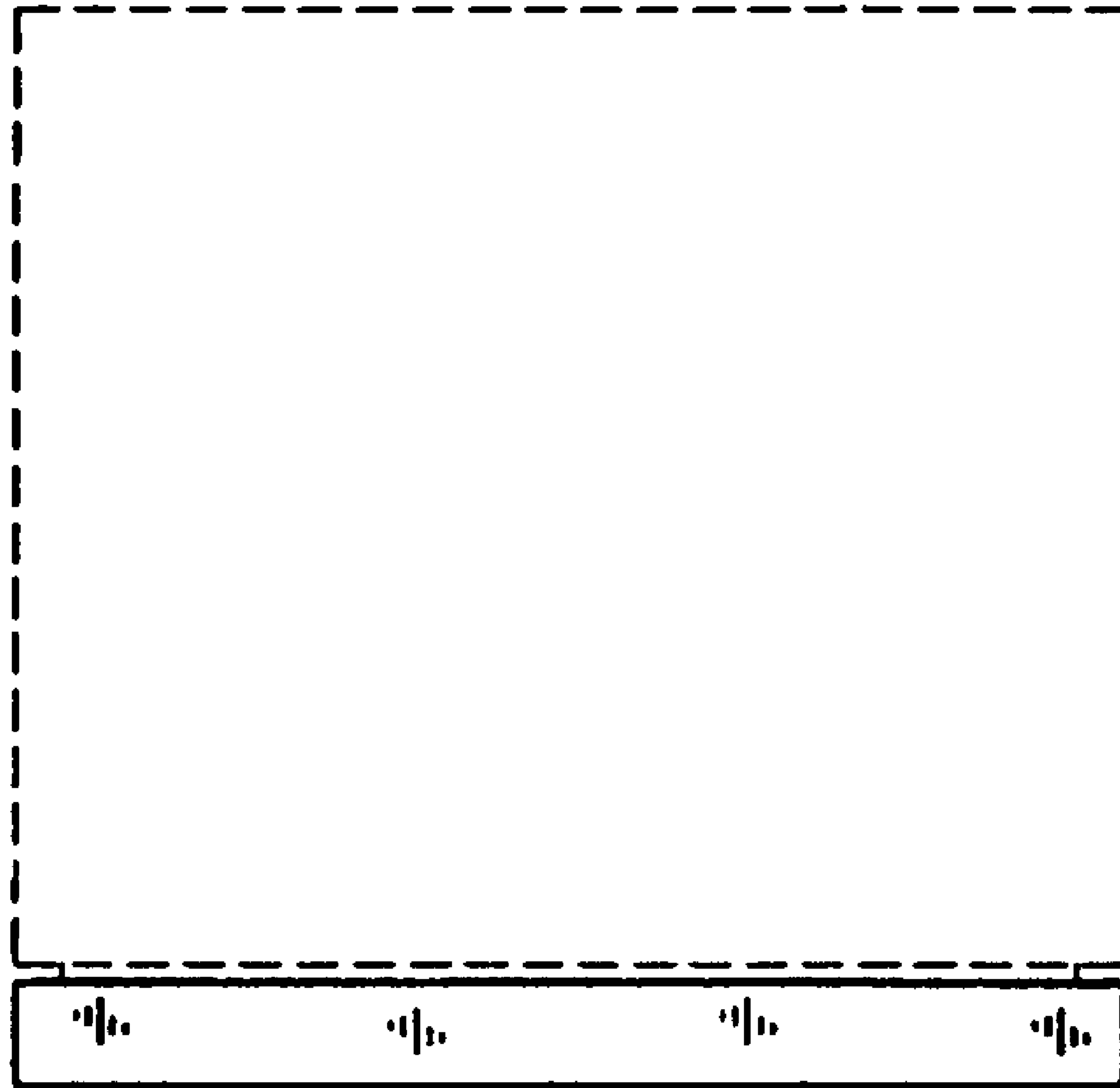


FIG. 4