

US00D495102S1

(12) **United States Design Patent**
Kaczmarek

(10) **Patent No.:** **US D495,102 S**

(45) **Date of Patent:** **** Aug. 24, 2004**

(54) **DISHWASHER**

3,279,481 A * 10/1966 Neyhouse et al. 134/57 D
5,365,959 A * 11/1994 Favaro 312/228

(75) Inventor: **Wolfgang Kaczmarek**, Schwindegg
(DE)

* cited by examiner

(73) Assignee: **BSH Bosch und Siemens Hausgerate GmbH**, Munich (DE)

Primary Examiner—Louis S. Zarfes

Assistant Examiner—Robert A Delehanty

(**) Term: **14 Years**

(74) *Attorney, Agent, or Firm*—Laurence A. Greenberg;
Werner H. Stemer; Gregory L. Mayback

(21) Appl. No.: **29/182,951**

(57) **CLAIM**

(22) Filed: **Jun. 4, 2003**

The ornamental design for a dishwasher, as shown and described.

(30) **Foreign Application Priority Data**

DESCRIPTION

Dec. 4, 2002 (DE) 40 210 179.0

(51) **LOC (7) Cl.** **15-05**

(52) **U.S. Cl.** **D32/3**

(58) **Field of Search** D32/1-3, 5-6,
D32/8, 25, 28; D7/340, 405, 348-351;
68/212; 312/31, 228, 228.1, 204; 134/113,
201, 57 D, 57 DL, 56 D, 58 D, 58 DL

FIG. 1 is a front perspective view of the dishwasher;
FIG. 2 is a left side view thereof, the right side view being
a mirror image;
FIG. 3 is a front side view; and,
FIG. 4 is a top side view thereof.

The dishwasher includes a plain and unornamented rear and
bottom, which are not shown.

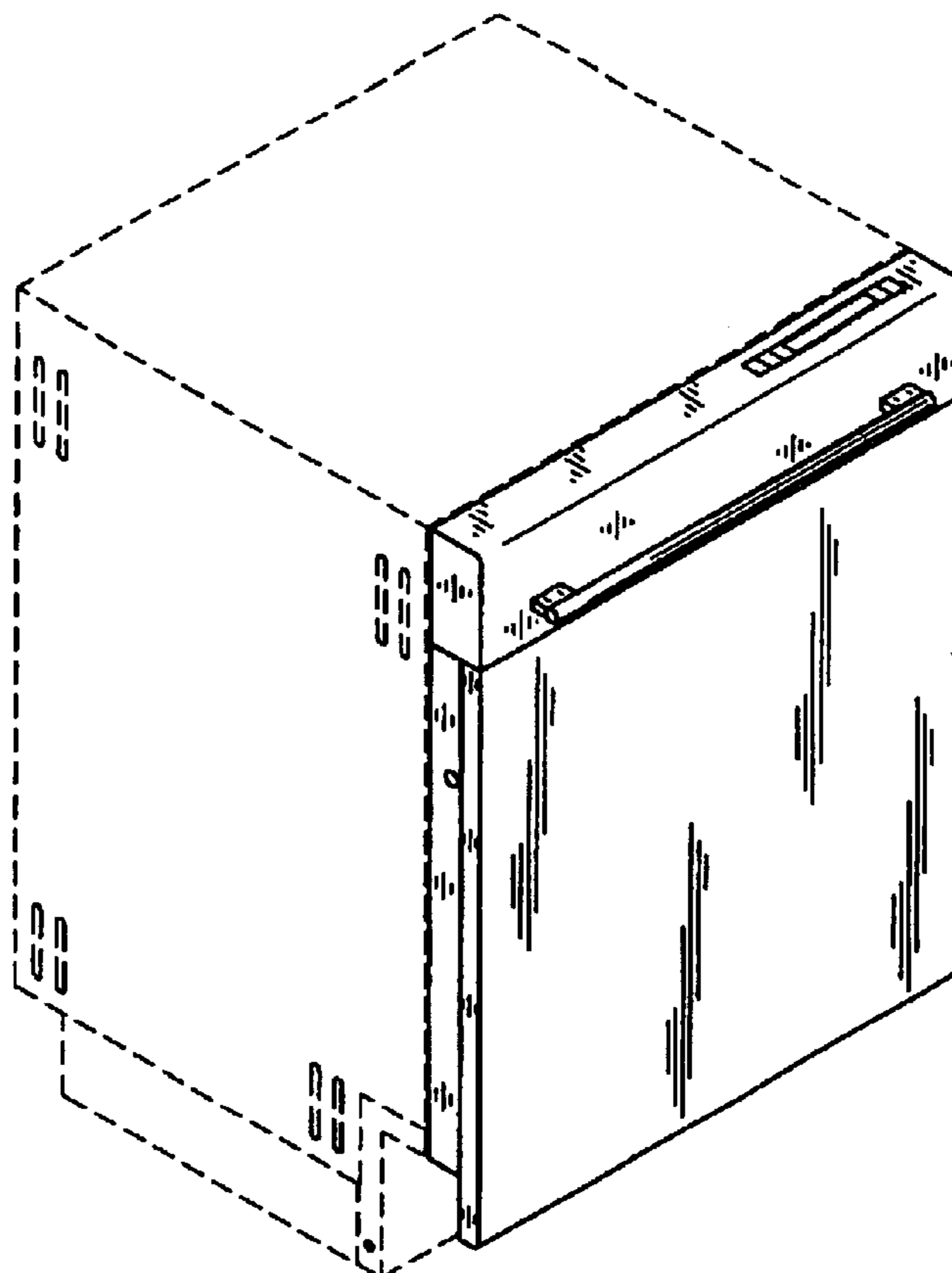
The broken line showing of portions of the dishwasher is for
illustrative purposes only and forms no part of the claimed
design.

(56) **References Cited**

U.S. PATENT DOCUMENTS

D164,239 S * 8/1951 Horwitz D7/350

1 Claim, 2 Drawing Sheets



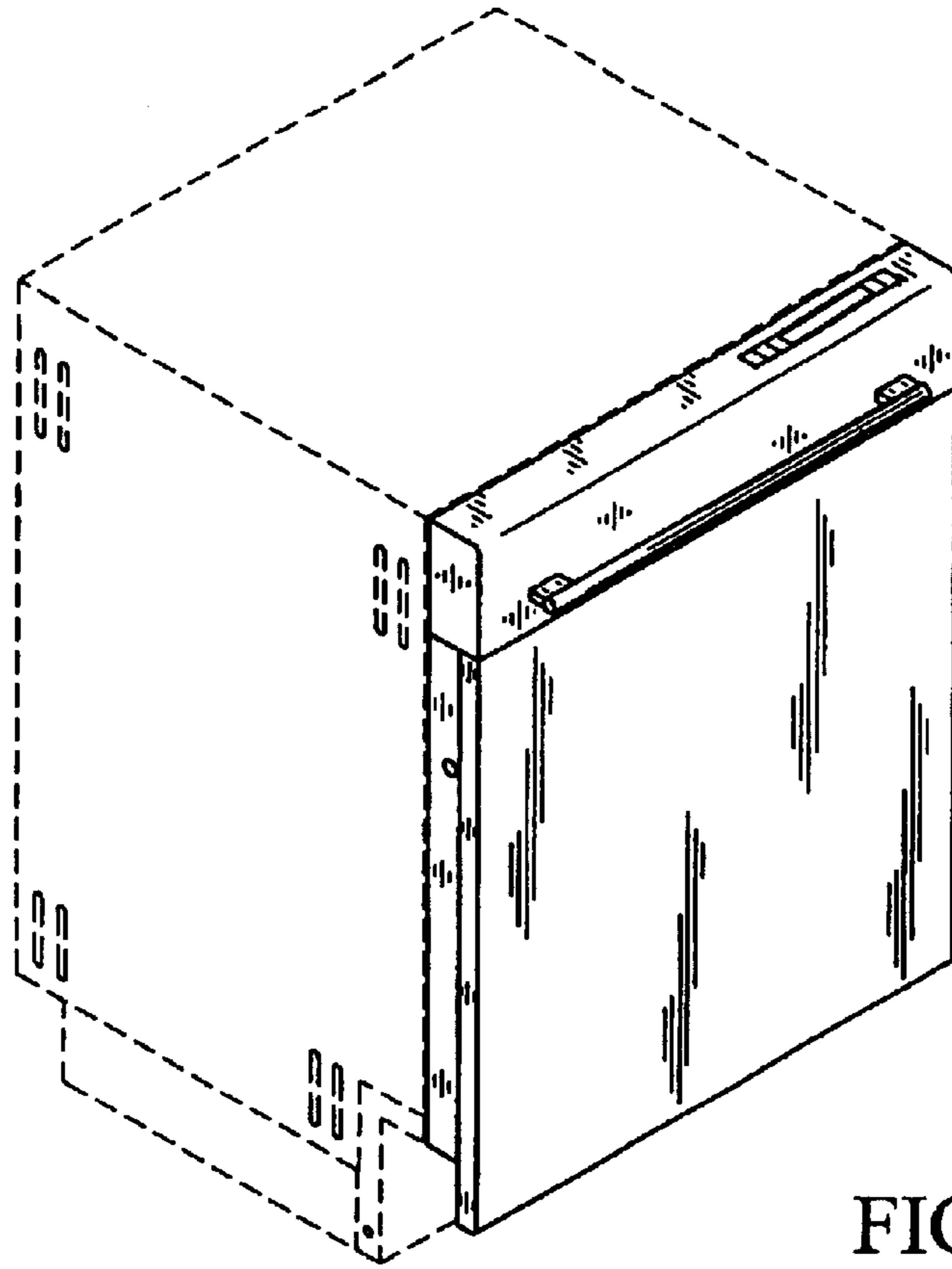


FIG. 1

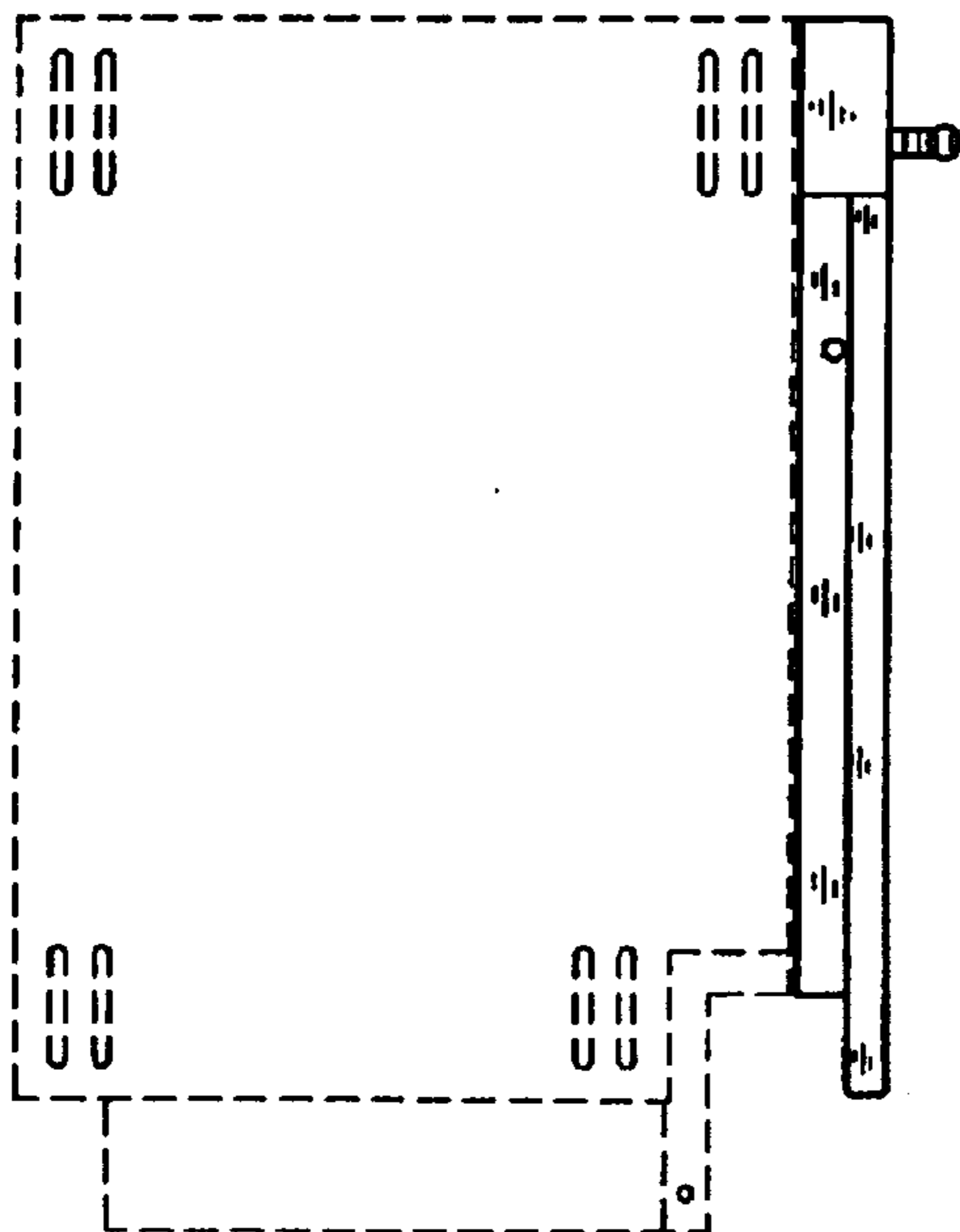


FIG. 2

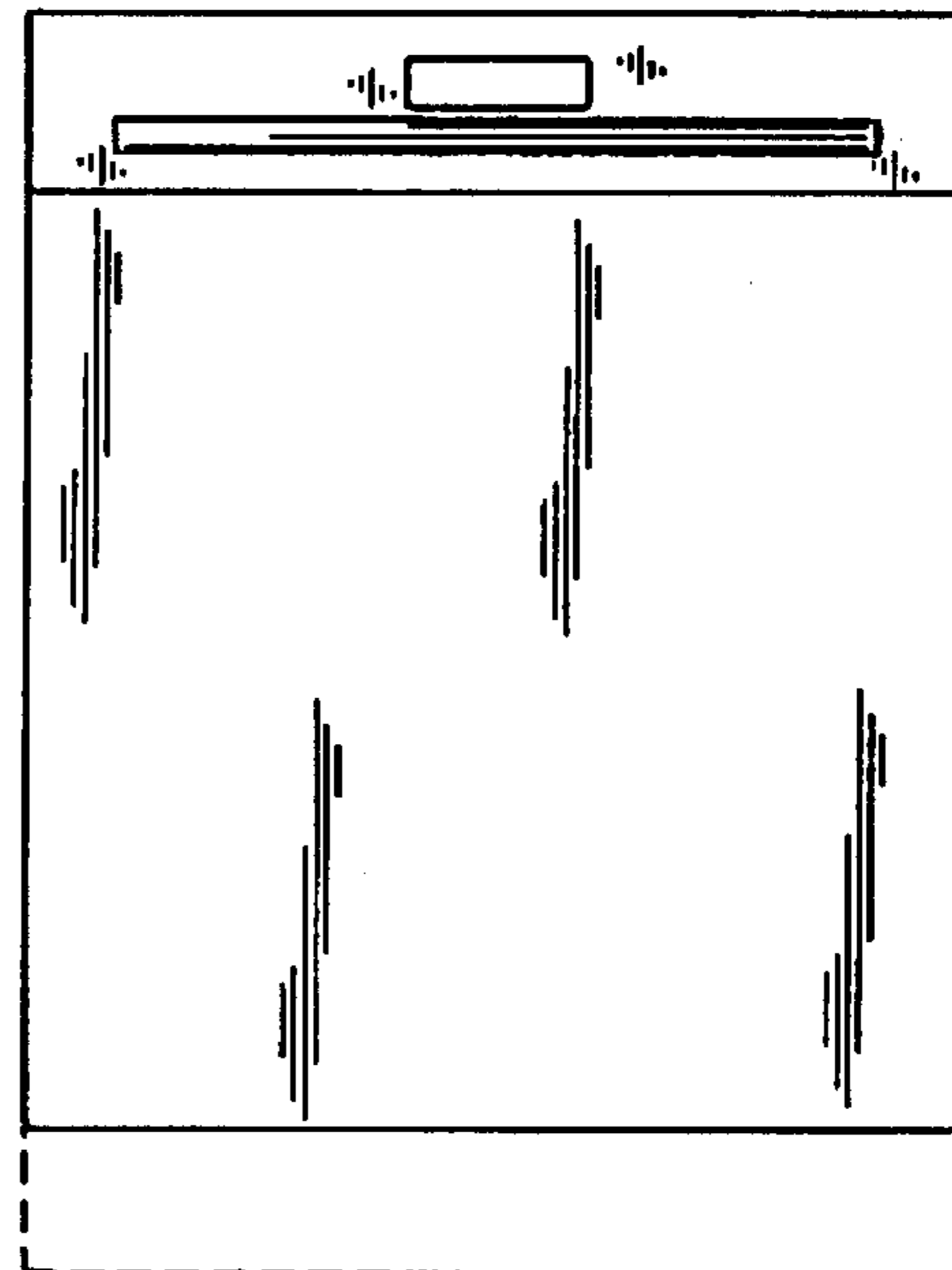


FIG. 3

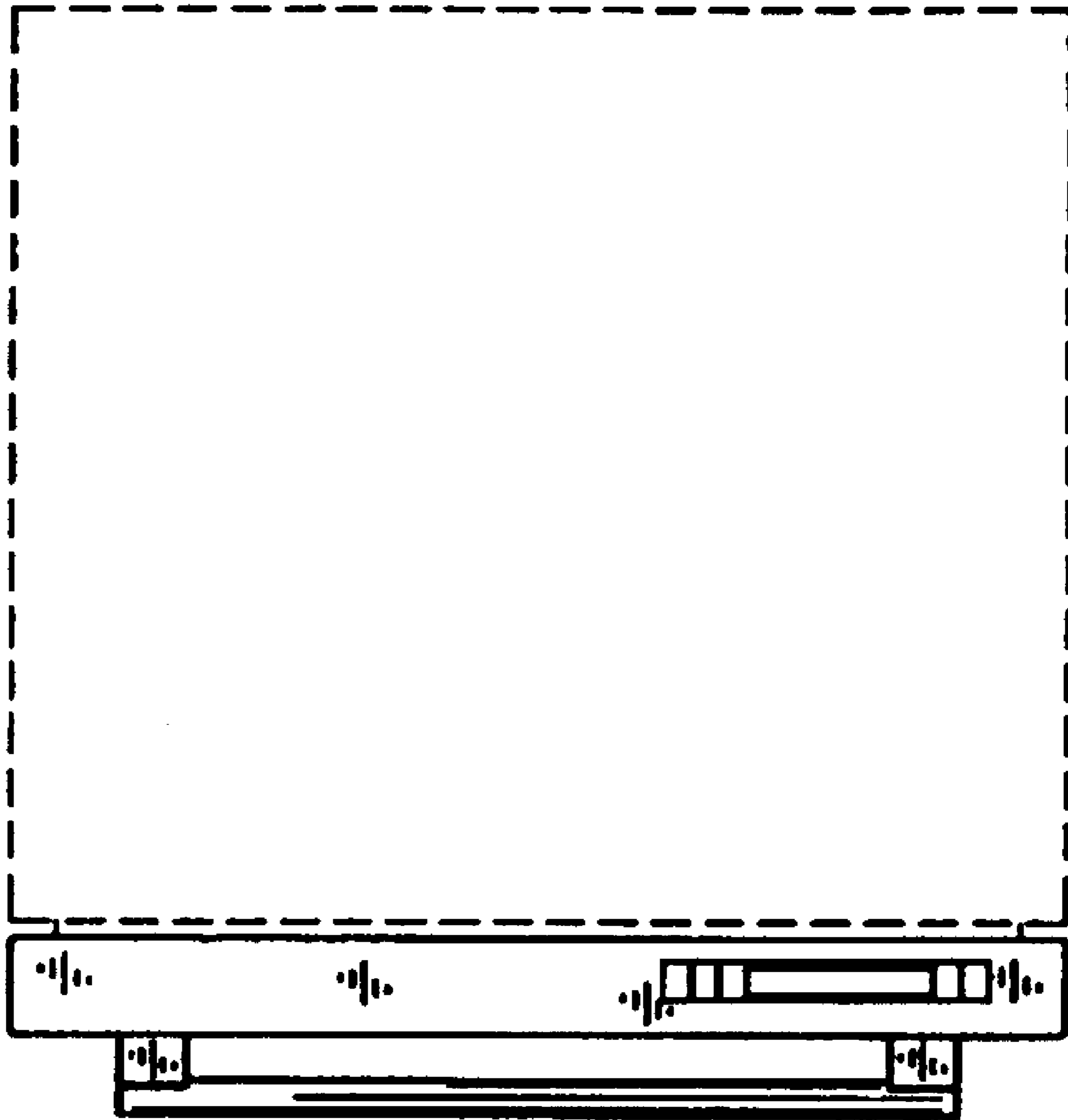


FIG. 4