

US00D495090S1

(12) **United States Design Patent**
Schoening et al.

(10) **Patent No.: US D495,090 S**

(45) **Date of Patent: ** Aug. 24, 2004**

(54) **HOME CURLING IRON HOLDER**

(76) Inventors: **Liz L. Schoening**, 711 W. Pine Ave., N. Wildwood, NJ (US) 08260; **Thomas C. Y. Ford**, 711 W. Pine Ave., N. Wildwood, NJ (US) 08260

(**) Term: **14 Years**

(21) Appl. No.: **29/177,723**

(22) Filed: **Mar. 17, 2003**

(51) **LOC (7) Cl. 28-03**

(52) **U.S. Cl. D28/38; D28/73**

(58) **Field of Search D28/38, 73; 211/70.6, 211/103; 248/117.1-117.7, 176.2; 206/373**

(56) **References Cited**

U.S. PATENT DOCUMENTS

D305,944 S * 2/1990 Mellott D28/38
D346,243 S * 4/1994 Weber D28/38

D374,312 S * 10/1996 Edgar D28/73
D377,695 S * 1/1997 Puckett D28/38
5,743,415 A * 4/1998 Smart 211/70.6
6,209,732 B1 * 4/2001 Dennis et al. 211/70.6

* cited by examiner

Primary Examiner—Jennifer Rivard

(74) *Attorney, Agent, or Firm*—Wilford L. Wisner

(57) **CLAIM**

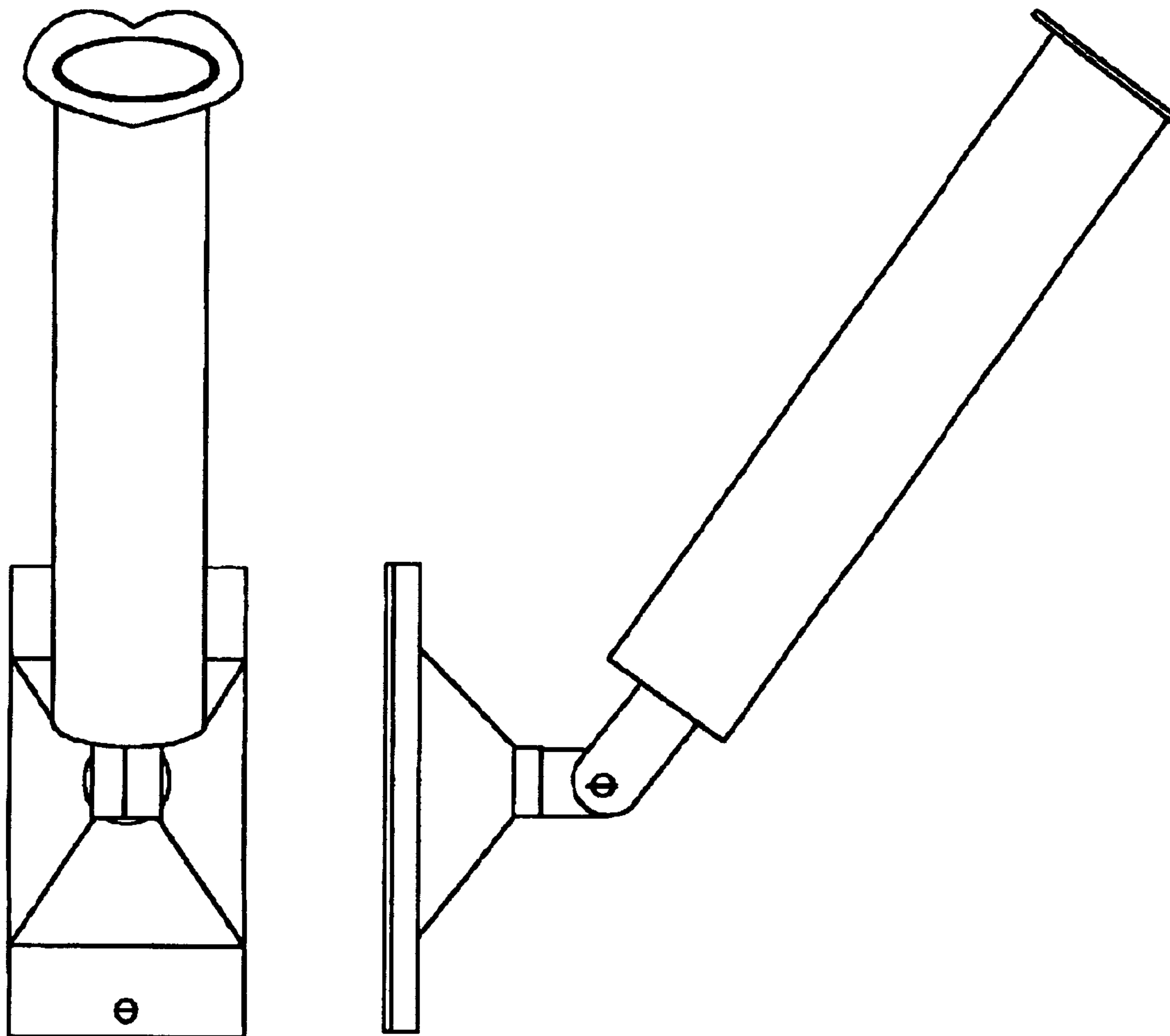
The ornamental design for a home curling iron holder, as shown and described.

DESCRIPTION

FIG. 1 is a front elevation view of the home curling iron holder.

FIG. 2 is a side elevation view of the home curling iron holder, the opposite side being a mirror image thereof; and, FIG. 3 is a top perspective view along the axis of the barrel of the home curling iron holder.

1 Claim, 1 Drawing Sheet



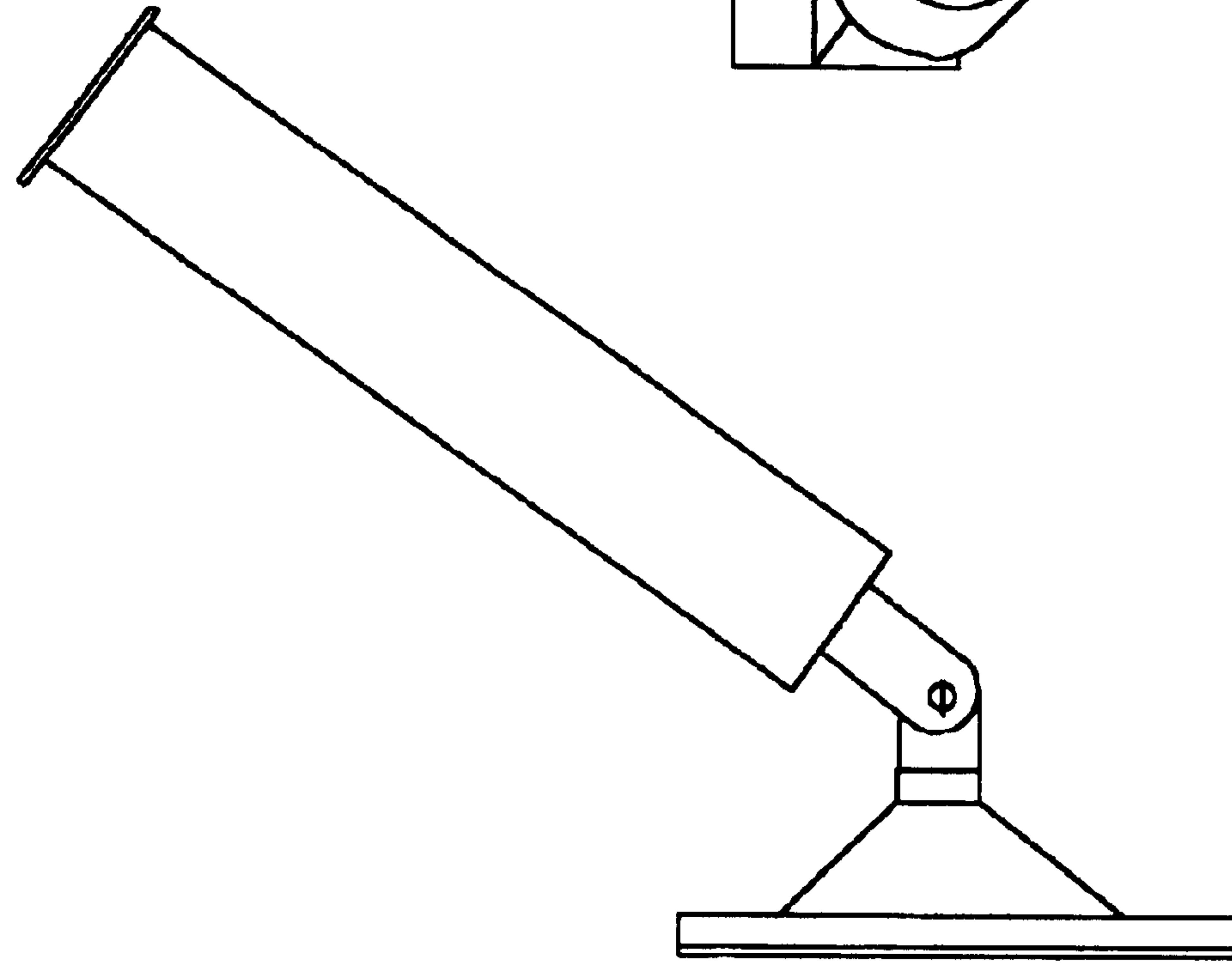


FIG. 2

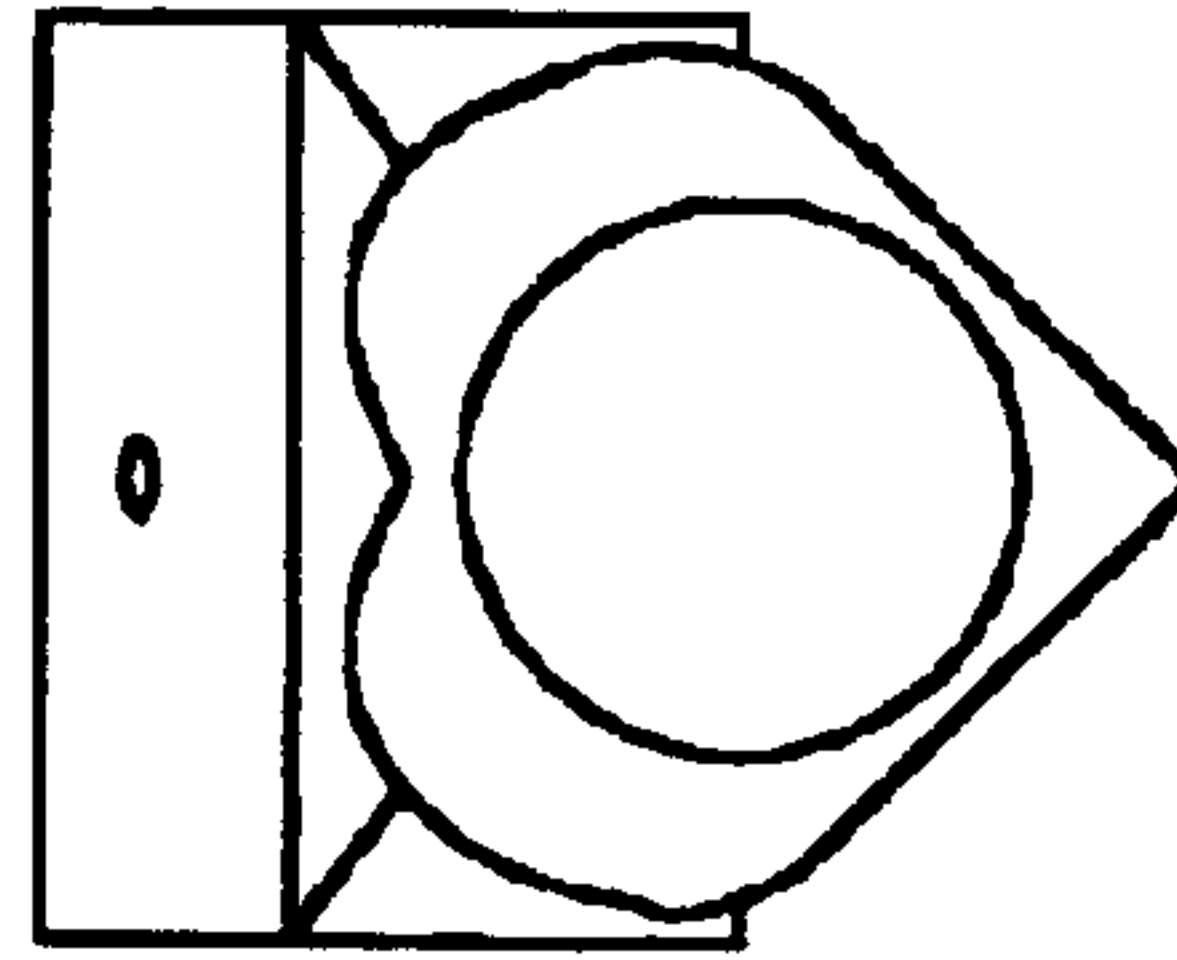


FIG. 3

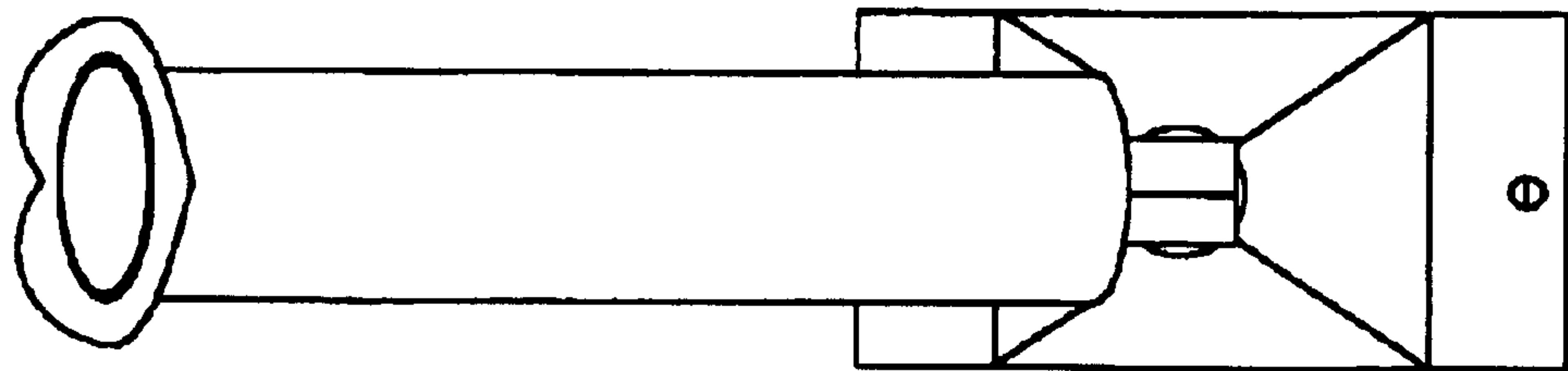


FIG. 1