

US00D495087S1

(12) **United States Design Patent** (10) **Patent No.:** **US D495,087 S**
Brown et al. (45) **Date of Patent:** **** Aug. 24, 2004**

(54) **LIGHT HOUSING**

(75) Inventors: **Kevin T. Brown**, Austin, TX (US);
Preston A. Tatum, Martindale, TX (US)

(73) Assignee: **The Fountain People, Inc.**, San Marcus, TX (US)

(**) Term: **14 Years**

(21) Appl. No.: **29/180,797**

(22) Filed: **Apr. 30, 2003**

(51) **LOC (7) Cl.** **26-99**

(52) **U.S. Cl.** **D26/118; D26/67**

(58) **Field of Search** D26/67, 118, 124,
D26/128; 362/363, 317, 362, 351, 361,
326, 355, 96

(56) **References Cited**

U.S. PATENT DOCUMENTS

D397,233 S	*	8/1998	Bassford	D26/67
5,795,053 A	*	8/1998	Pierce	362/96
D466,639 S		12/2002	Kuelbs		
D468,472 S	*	1/2003	Mullally et al.	D26/67

* cited by examiner

Primary Examiner—Jennifer Rivard
(74) *Attorney, Agent, or Firm*—McKee, Voorhees & Sease, P.L.C.

(57) **CLAIM**

We claim the ornamental design for a light housing, substantially as shown and described.

DESCRIPTION

FIG. 1 is a perspective view of a light housing according to the present invention except that it illustrates in broken lines a water nozzle and general structure underneath the nozzle. It illustrates a general possible environmental use of the design. A mounting plate and diagrammatic illustration of lights inside the housing are also shown in broken lines.

FIG. 2 is a top plan view of FIG. 1.

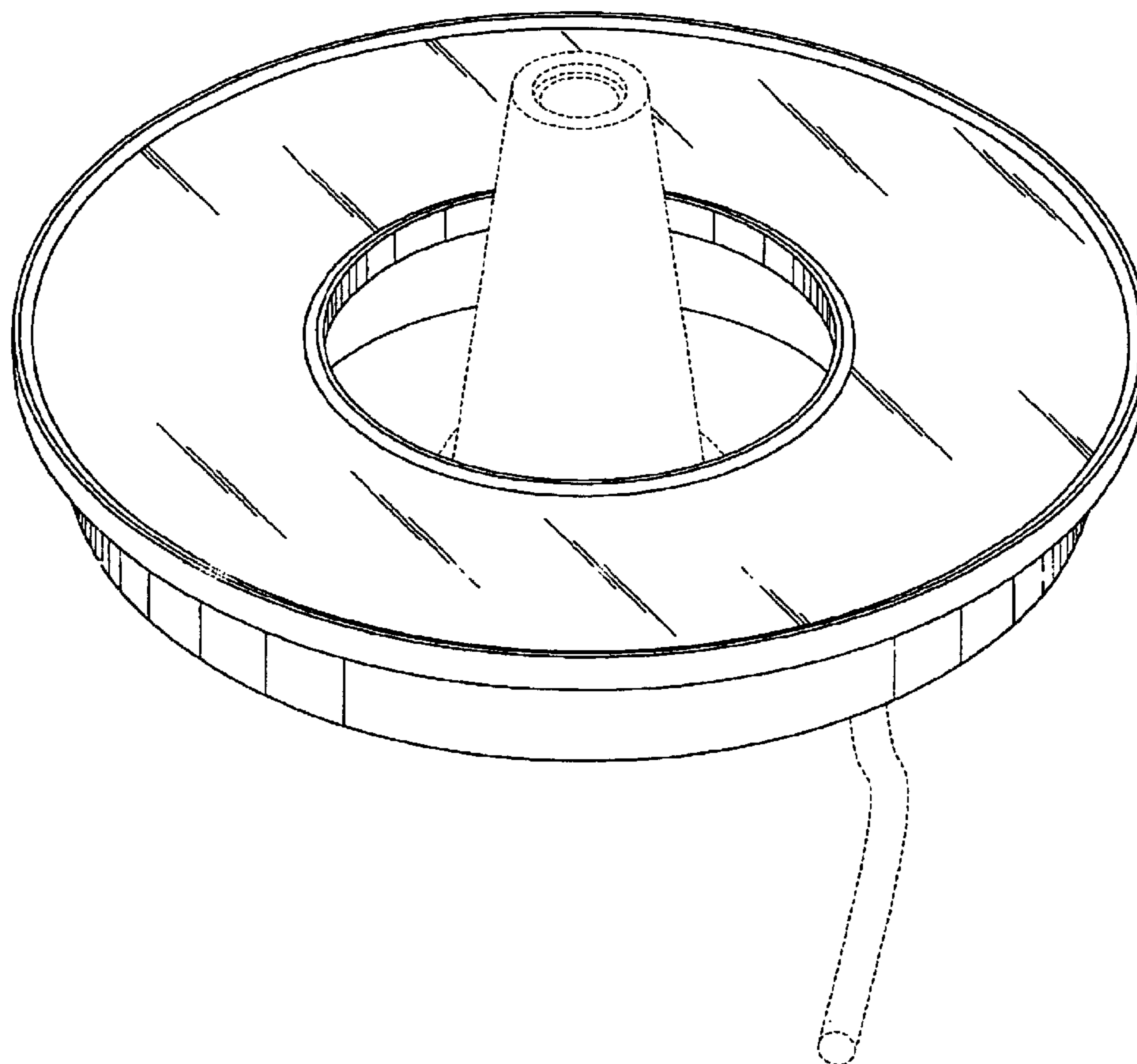
FIG. 3 is a front elevation of FIG. 1. A rear elevation would be identical except the location of the electrical connecting cord would be reversed.

FIG. 4 is a right side elevation of FIG. 1. A left side elevation would be identical; and,

FIG. 5 is a bottom plan view of FIG. 1.

The broken lines shown in the drawings are for illustrative purposes only and form no part of the claimed design.

1 Claim, 4 Drawing Sheets



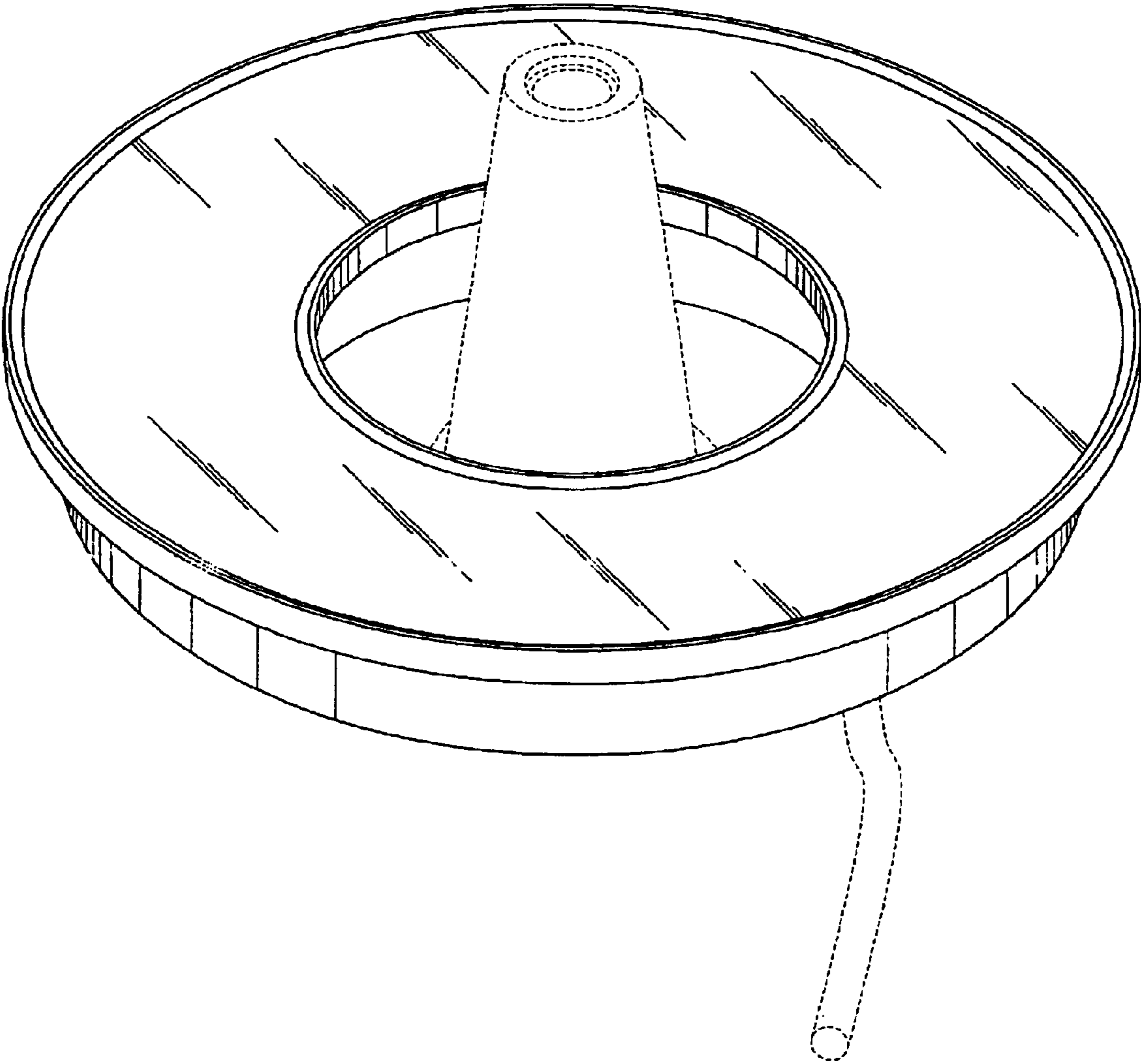


Fig. 1

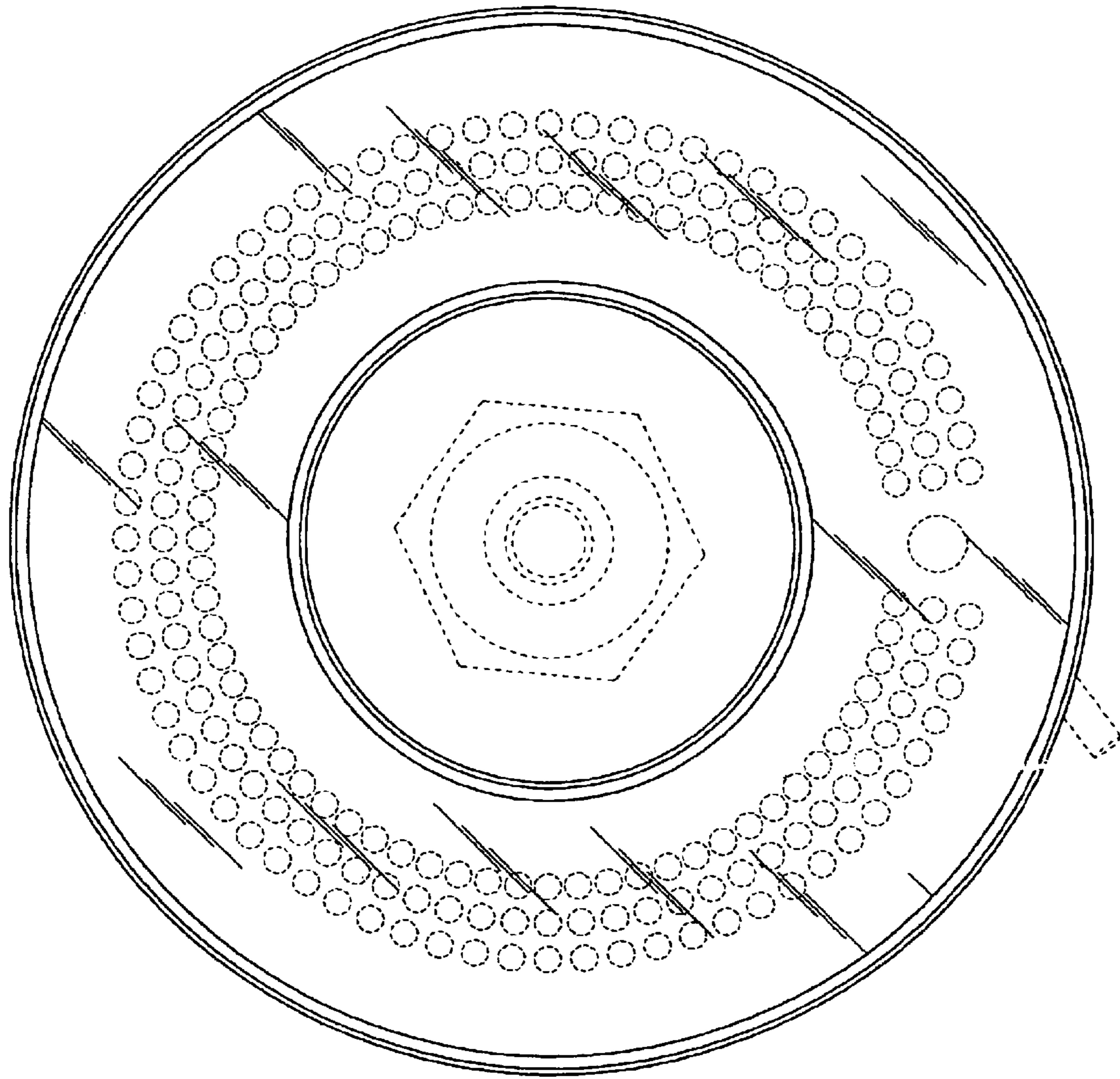


Fig. 2

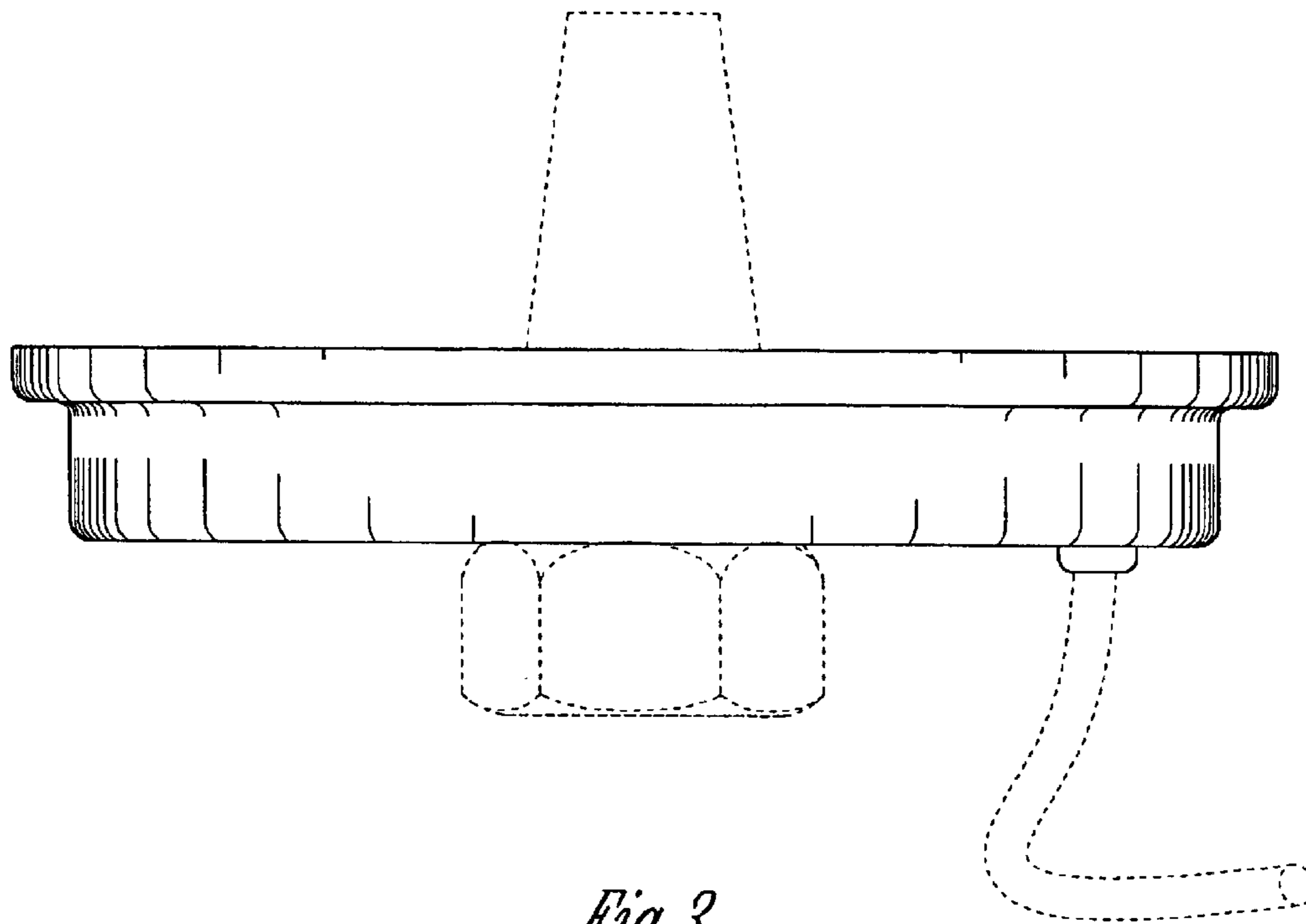


Fig. 3

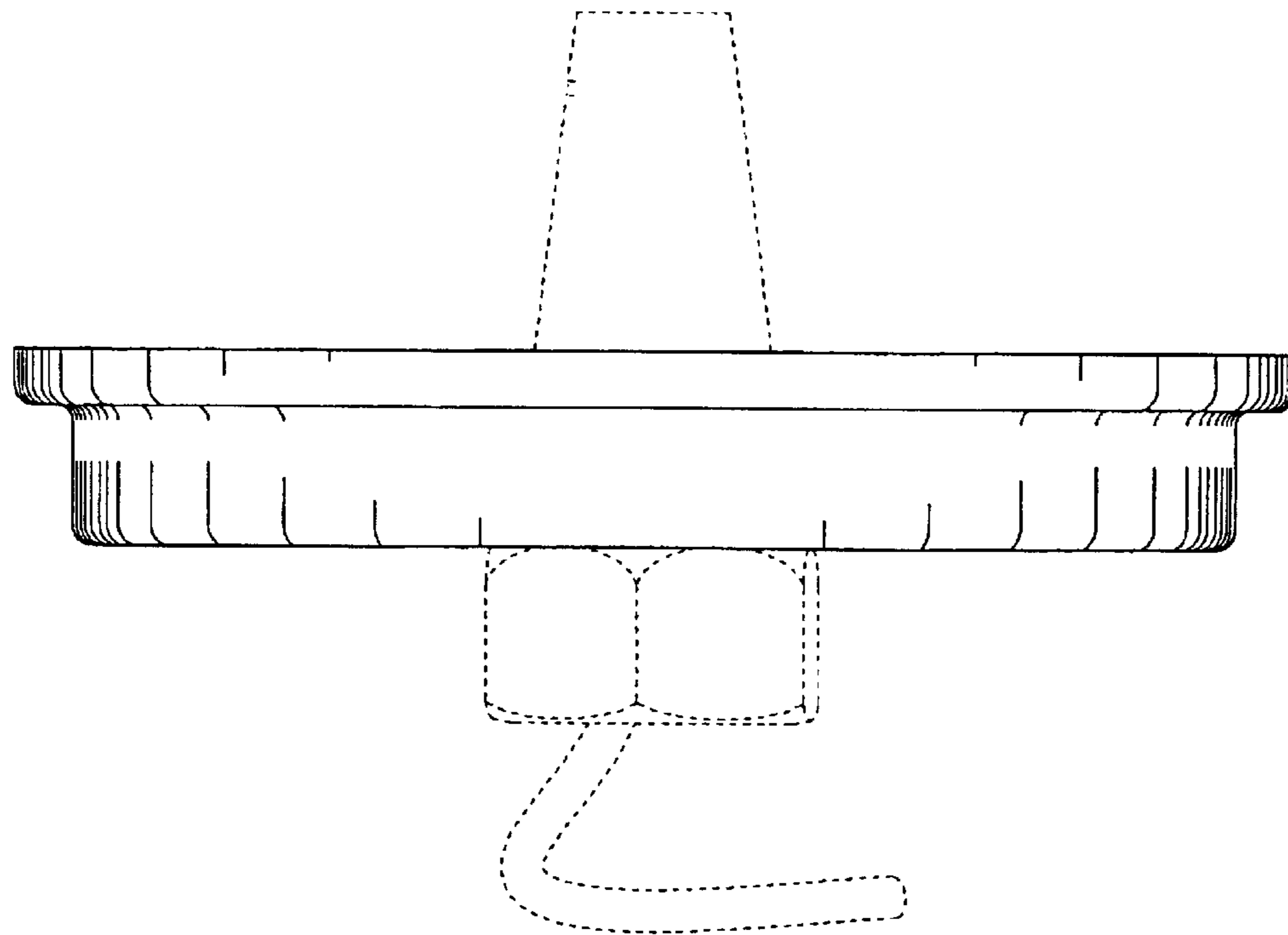


Fig. 4

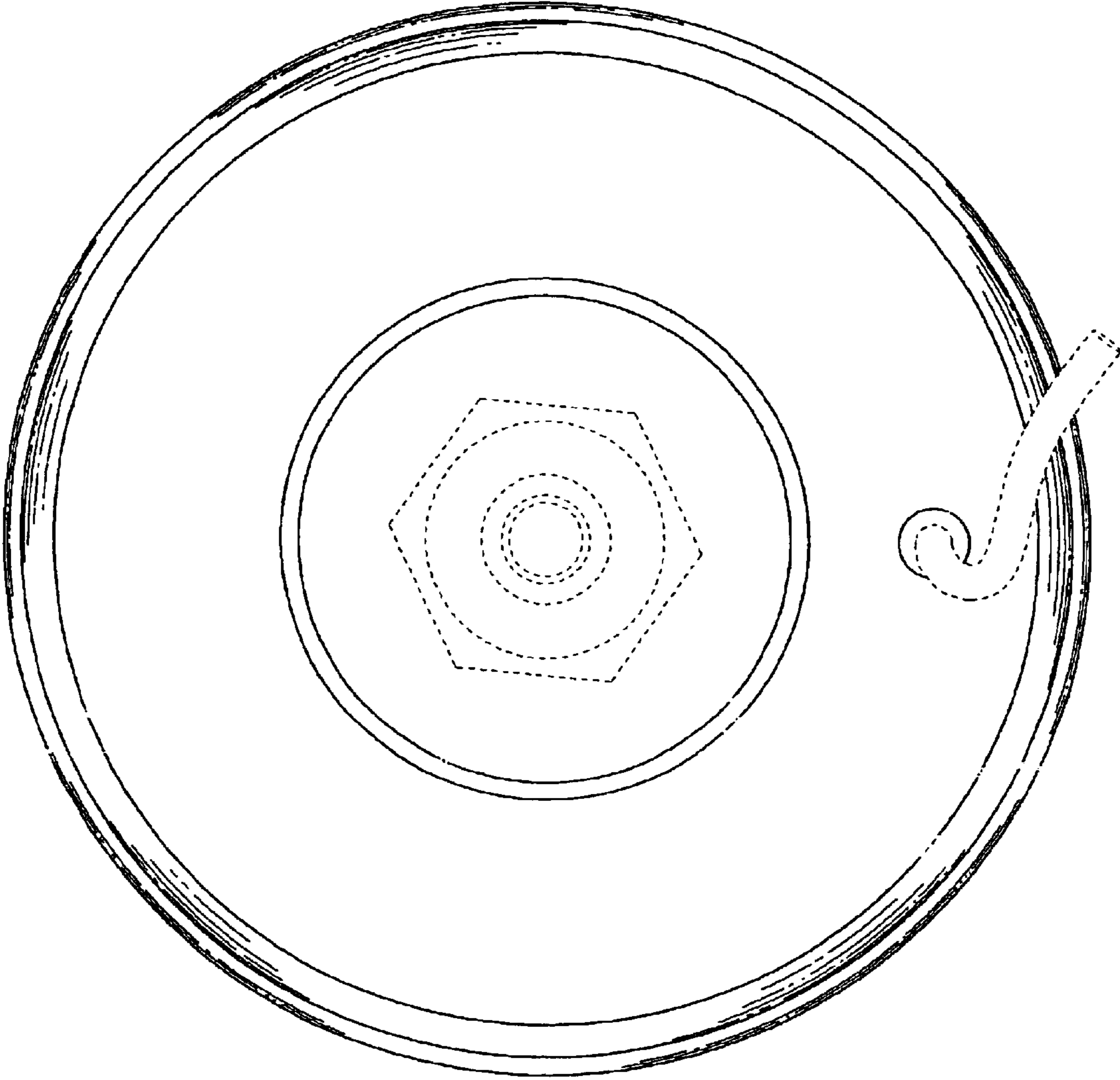


Fig. 5