

US00D495085S1

(12) **United States Design Patent**
Thornton, Jr. et al.

(10) **Patent No.:** **US D495,085 S**

(45) **Date of Patent:** **** Aug. 24, 2004**

(54) **HOUSING AND CAP PORTION OF A LIGHT FIXTURE**

(75) Inventors: **Peter F. Thornton, Jr.**, Hinsdale, IL (US); **Casey Chung**, Bloomingtondale, IL (US)

(73) Assignee: **Focal Point, L.L.C.**, Chicago, IL (US)

(**) Term: **14 Years**

(21) Appl. No.: **29/183,850**

(22) Filed: **Jun. 18, 2003**

(51) **LOC (7) Cl.** **26-03**

(52) **U.S. Cl.** **D26/76**

(58) **Field of Search** D26/24, 72, 75-78;
362/217-225, 147, 404, 133, 151

(56) **References Cited**

U.S. PATENT DOCUMENTS

- 4,388,676 A * 6/1983 Sato et al. 362/223
- 4,502,761 A 3/1985 Knoll et al.
- 4,715,137 A 12/1987 Scheve
- 5,057,974 A 10/1991 Mizobe
- 5,079,680 A * 1/1992 Kohn 362/223
- 5,130,898 A 7/1992 Akahane
- D333,530 S * 2/1993 Boundy D26/74
- 5,207,493 A 5/1993 Murase et al.
- 5,283,673 A 2/1994 Murase et al.
- 5,386,347 A 1/1995 Matsumoto
- 5,390,436 A 2/1995 Ashall
- RE34,884 E 3/1995 Coleman
- 5,408,387 A 4/1995 Murase et al.
- 5,408,388 A 4/1995 Kobayashi et al.
- 5,625,968 A 5/1997 Ashall
- 5,649,754 A 7/1997 Matsumoto
- 5,735,590 A 4/1998 Kashima et al.
- 5,778,579 A 7/1998 Yuen
- 5,796,450 A 8/1998 Kanda et al.
- 5,863,113 A 1/1999 Oe et al.
- 5,915,855 A 6/1999 Murase et al.
- 5,931,555 A 8/1999 Akahane et al.
- 5,967,648 A 10/1999 Barnes, II et al.
- 6,011,602 A 1/2000 Miyashita et al.

- D428,508 S * 7/2000 Irvine D26/76
- 6,088,074 A 7/2000 Suzuki
- 6,161,939 A * 12/2000 Bansbach 362/223
- 6,164,790 A 12/2000 Lee
- 6,240,664 B1 6/2001 Hjaltason
- 6,295,104 B1 9/2001 Egawa et al.
- 6,296,372 B1 * 10/2001 Rhomberg 362/225
- 6,334,690 B1 1/2002 Ohkawa
- 6,345,899 B1 2/2002 Ohkawa et al.
- 6,347,873 B1 2/2002 Hosseini et al.
- 6,431,716 B1 8/2002 Kusakabe
- 2001/0001595 A1 5/2001 Hosseini et al.
- 2001/0012202 A1 8/2001 Yamada
- 2001/0053073 A1 12/2001 Itoh et al.
- 2002/0105793 A1 8/2002 Oda et al.
- 2002/0141174 A1 10/2002 Parker et al.

FOREIGN PATENT DOCUMENTS

- DE 101 03 320.6 1/2001
- DE 101 03 321.4 1/2001
- DE 401 01 912.8 2/2001
- DE 401 01 913.6 2/2001

OTHER PUBLICATIONS

Brochure/Specs for Illusion Lighting, Linear Lighting Corporation, Nov. 2002.

(List continued on next page.)

Primary Examiner—Clare E Heflin

(74) *Attorney, Agent, or Firm*—Banner & Witcoff, Ltd.

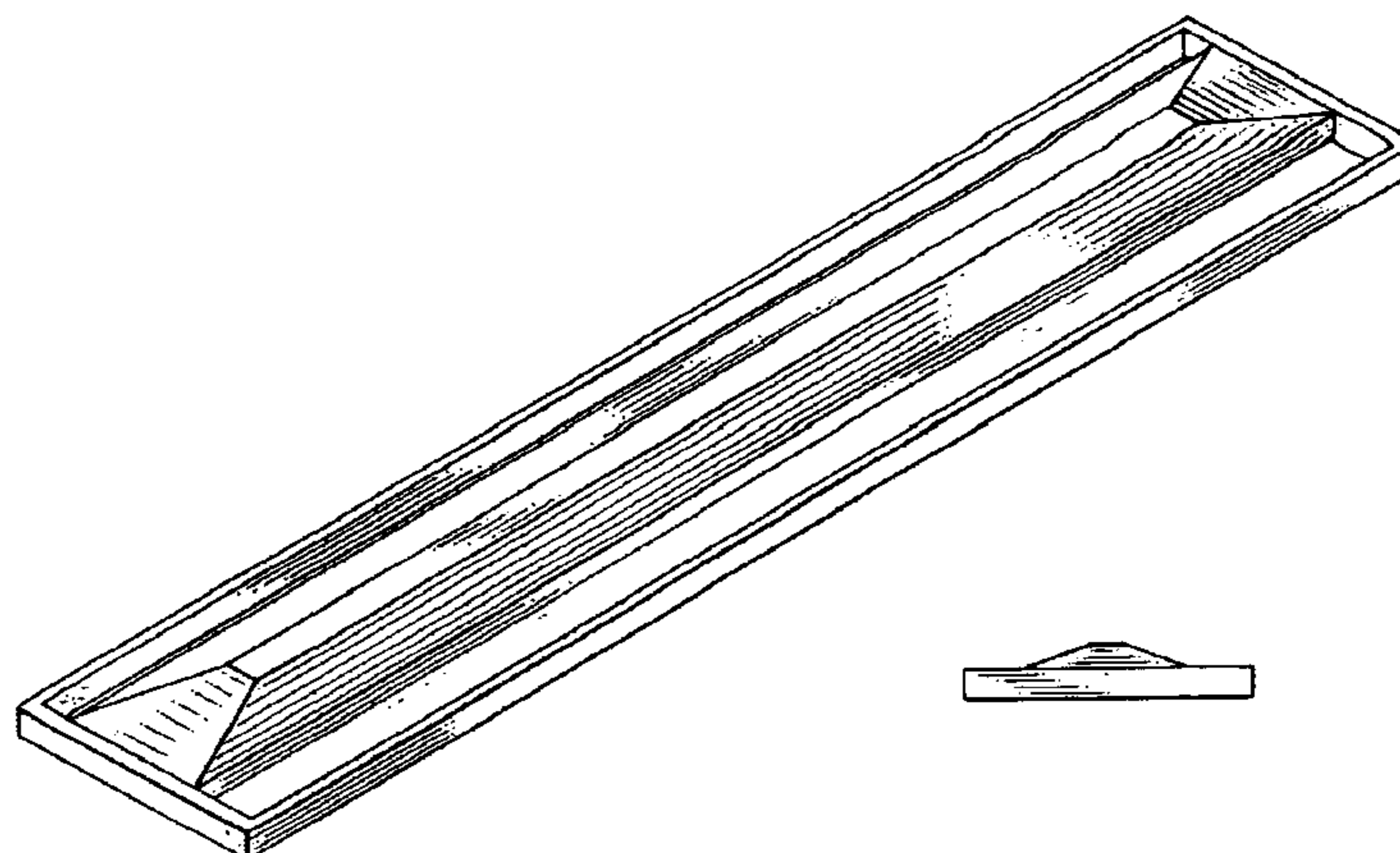
(57) **CLAIM**

The ornamental design for a housing and cap portion of a light fixture, as shown and described.

DESCRIPTION

FIG. 1 is a top perspective view of a housing and cap portion of a light fixture showing our new design;
 FIG. 2 is a top view thereof;
 FIG. 3 is an end view, the opposite end being a mirror image thereof;
 FIG. 4 is a side view, the opposite side being a mirror image thereof; and,
 FIG. 5 is a bottom view of our new design.

1 Claim, 1 Drawing Sheet



OTHER PUBLICATIONS

Brochure/Specs for Opus Light, Regent Lighting, Jan. 2002.
Brochure/Specs for Aria Light, Zumtobel, Catalog #ARS25454, published in 1999 before application filing date.

Brochure/Specs for Aria Light, Zumtobel, Dec. 1999.

Brochure/Specs for Finelite, Finelite, Inc., Series 14—Technical Sheet, May 2003.

Brochure/Specs for Quartet Light, Lēdalite Architectural Products, published in 2003 before application filing date.

Zumtobel, published figures, source unknown, Aug. 10, 1998.

Zumtobel, published figures, source unknown, May 13, 1998.

Zumtobel, published figures, source unknown, May 13, 1998.

Siteco, published figures, source unknown, Feb. 3, 1998.

Nenhorst, published figures, source unknown, Jul. 25, 2001.

Spittler Lichttechnik, published figures, source unknown, Mar. 7, 2001.

Brochure/Specs for Orea Light, Zumtobel, published in 2000 before application filing date.

* cited by examiner

FIG.1

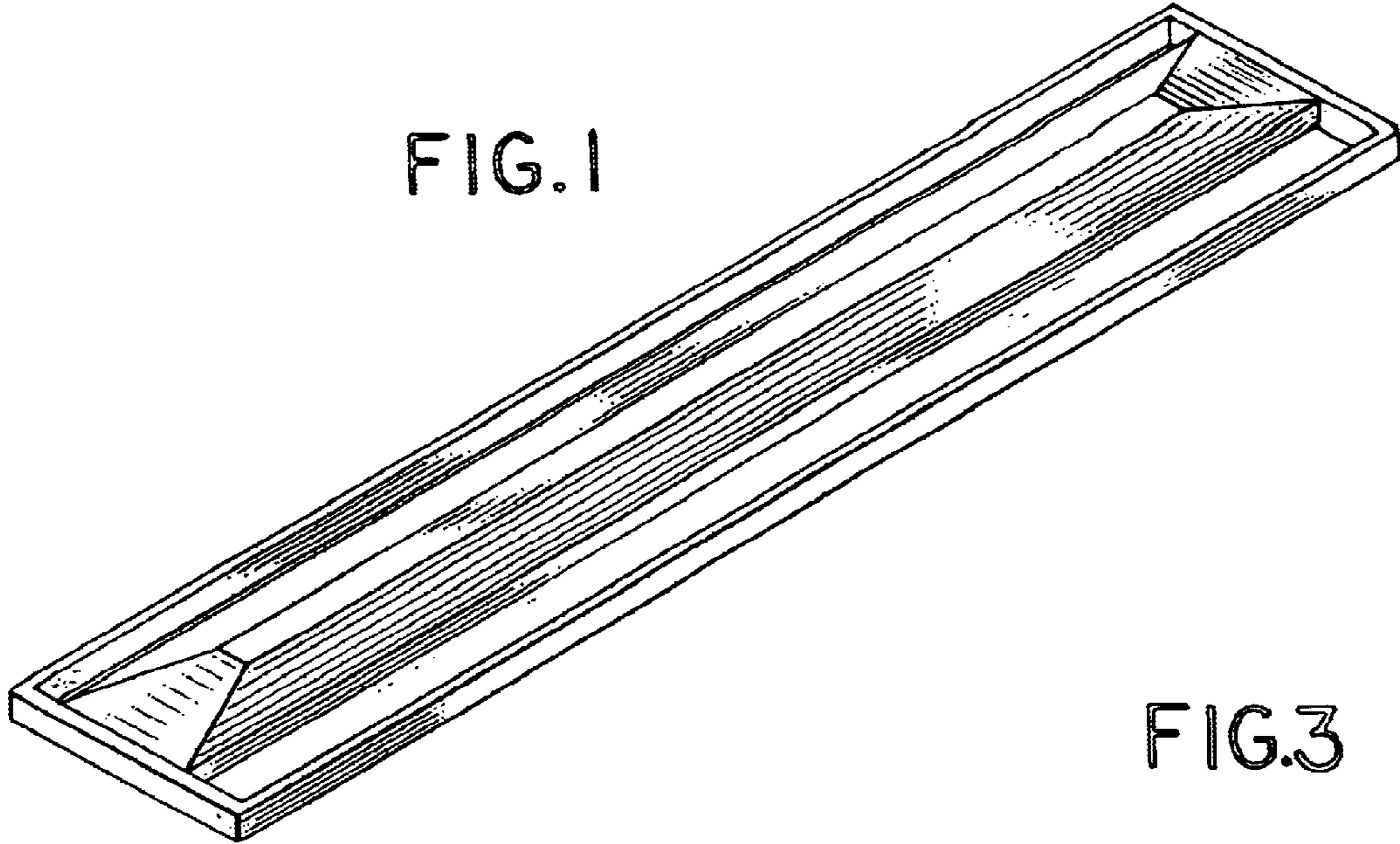


FIG.3



FIG.2

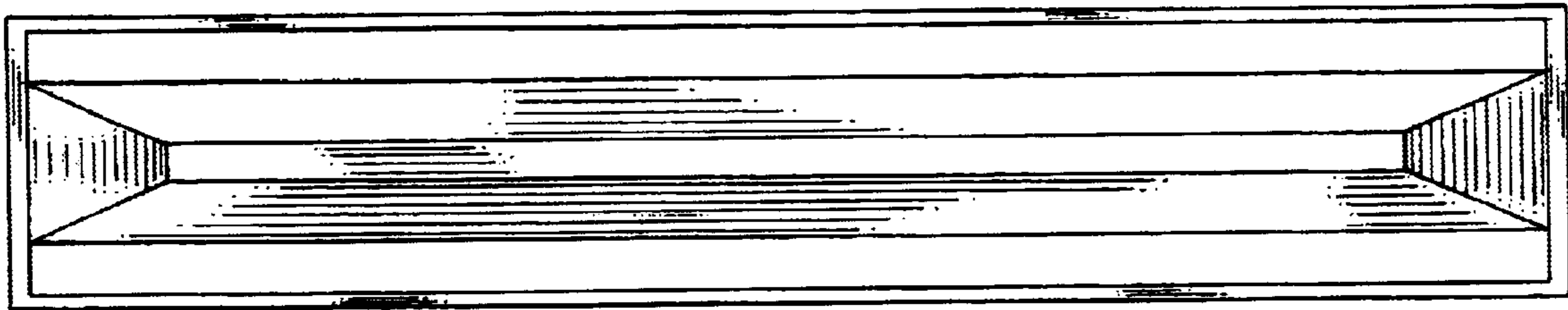


FIG.4

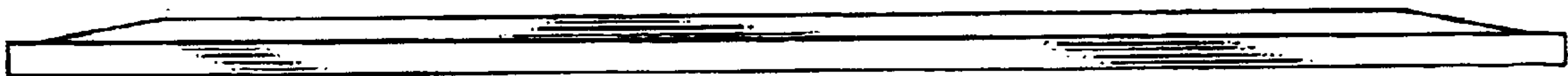


FIG.5

