

US00D495082S1

(12) **United States Design Patent**  
**Marchand**

(10) **Patent No.:** **US D495,082 S**

(45) **Date of Patent:** **\*\* Aug. 24, 2004**

(54) **LAMP WITH ADJUSTABLE ARM**

6,270,238 B1 \* 8/2001 Mendelsohn et al. .... 362/287

(75) Inventor: **Christophe Marchand**, Zurich (CH)

\* cited by examiner

(73) Assignee: **Steelcase SA**, Stasbourg (FR)

*Primary Examiner*—Clare E. Heflin

(\*\*) Term: **14 Years**

(74) *Attorney, Agent, or Firm*—Price, Heneveld, Cooper, DeWitt & Litton, LLP

(21) Appl. No.: **29/173,620**

(57) **CLAIM**

(22) Filed: **Jan. 2, 2003**

The ornamental design for a lamp with adjustable arm, as shown and described.

(51) **LOC (7) Cl.** ..... **26-05**

**DESCRIPTION**

(52) **U.S. Cl.** ..... **D26/65**; D26/63

(58) **Field of Search** ..... D26/60–66; 362/98,  
362/99, 191, 269, 270, 275, 281–287, 396,  
418, 419, 427, 428

FIG. 1 is a perspective view of a lamp with adjustable arm, showing my new design;

FIG. 2 is a side view;

FIG. 3 is a top plan view;

FIG. 4 is a perspective view of the lamp in an open position;

FIG. 5 is a perspective view of the lamp in another position;

FIG. 6 is a perspective view of the lamp in yet another position;

FIG. 7 is a perspective view of the lamp in yet another position;

FIG. 8 is a perspective view of the lamp in yet another position;

FIG. 9 is a perspective view of the lamp in yet another position; and,

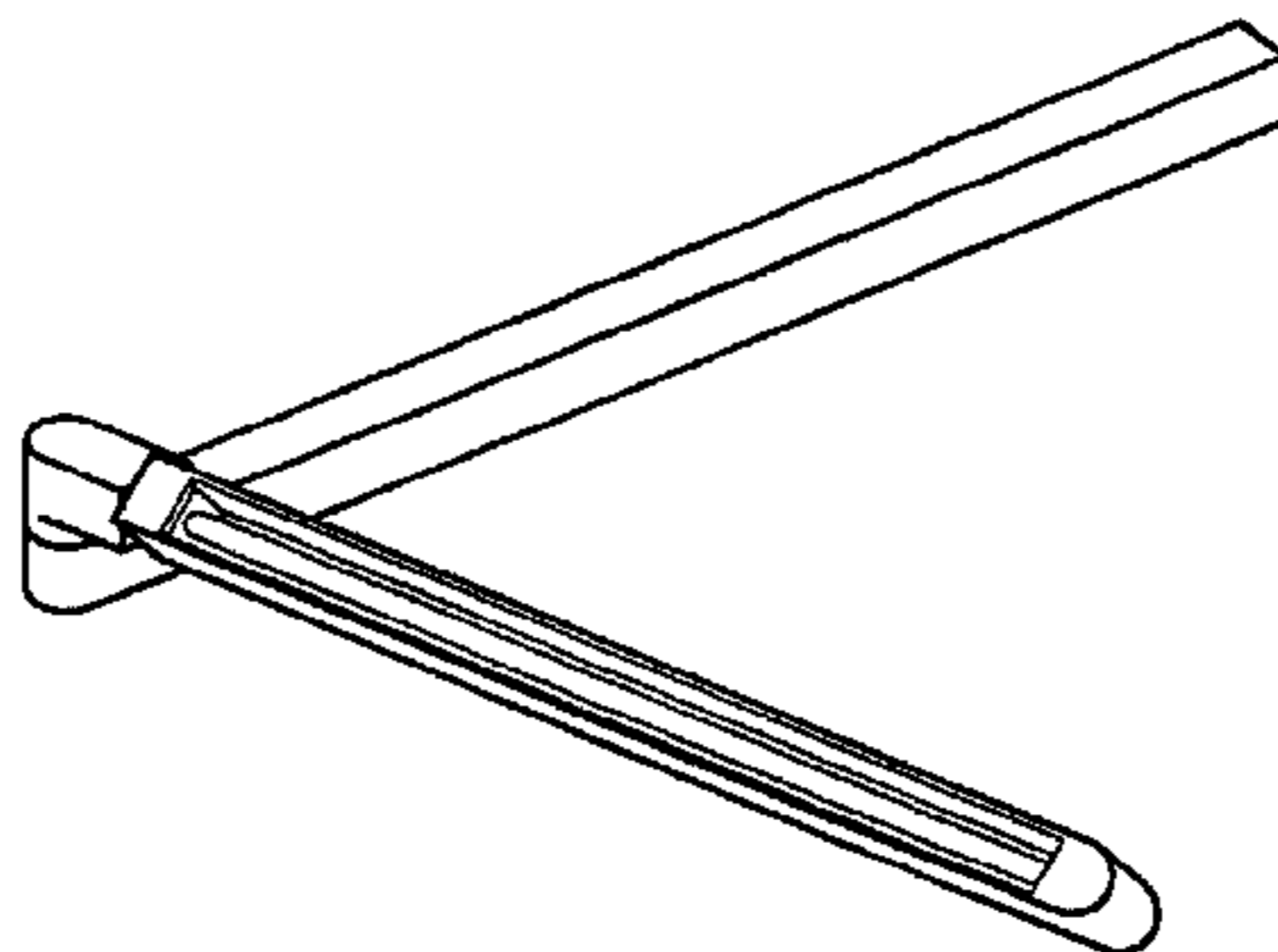
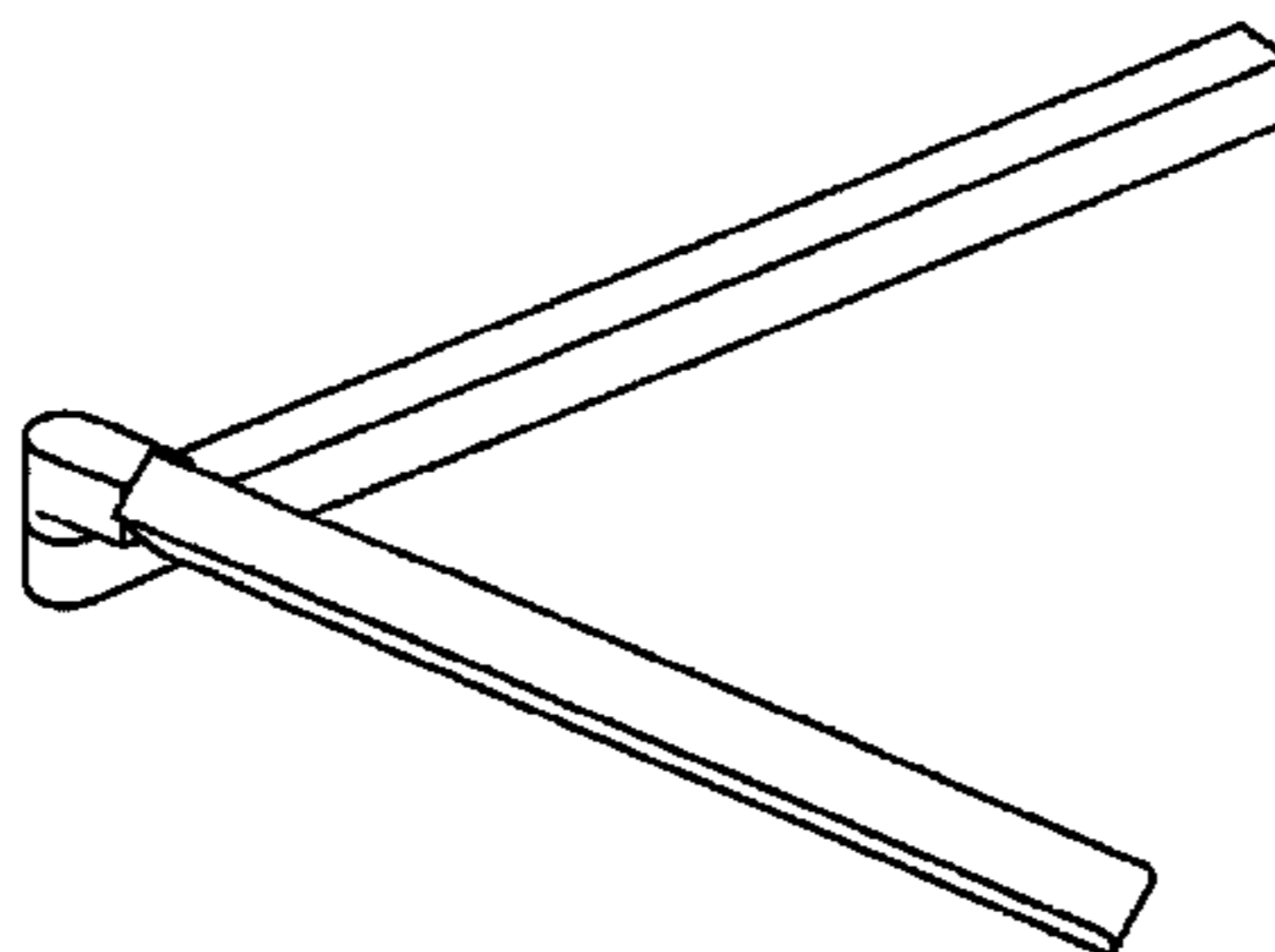
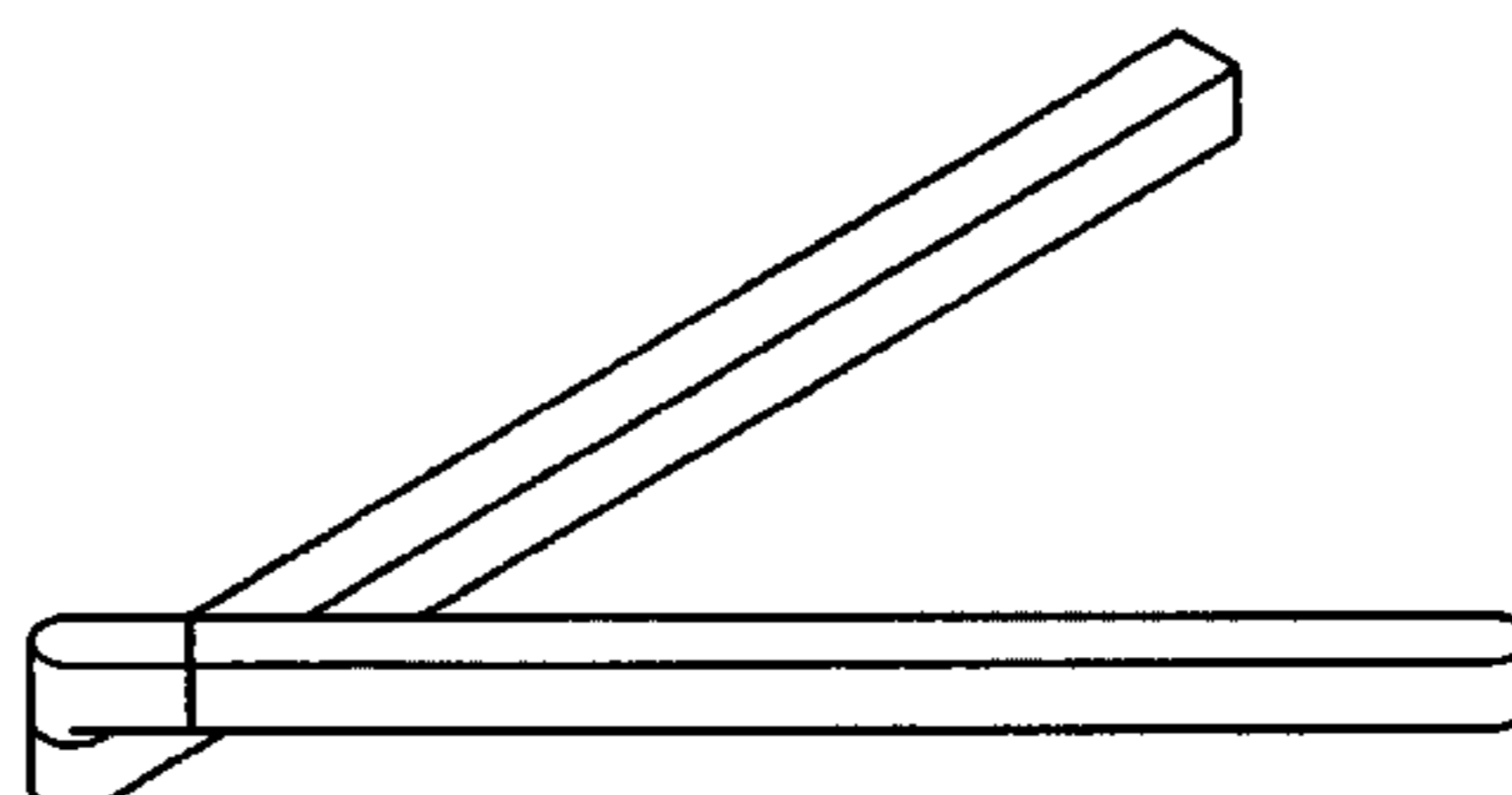
FIG. 10 is a perspective view of the lamp in yet another position.

(56) **References Cited**

**U.S. PATENT DOCUMENTS**

D122,711 S	*	9/1940	May	.....	D26/63
D151,855 S	*	11/1948	Nitardy	.....	D26/65
4,305,560 A	*	12/1981	Ban	.....	362/418
D274,473 S	*	6/1984	de Boer	.....	D26/60
D283,056 S	*	3/1986	Ansems	.....	D26/61
4,598,344 A	*	7/1986	Nadler	.....	362/220
D292,236 S	*	10/1987	Caldwell	.....	D26/65
5,422,802 A	*	6/1995	Lin	.....	362/269
D402,385 S	*	12/1998	Chen	.....	D26/65
6,079,857 A	*	6/2000	Mendelsohn et al.	.....	362/427
6,168,292 B1	*	1/2001	Sherman	.....	362/287

**1 Claim, 4 Drawing Sheets**



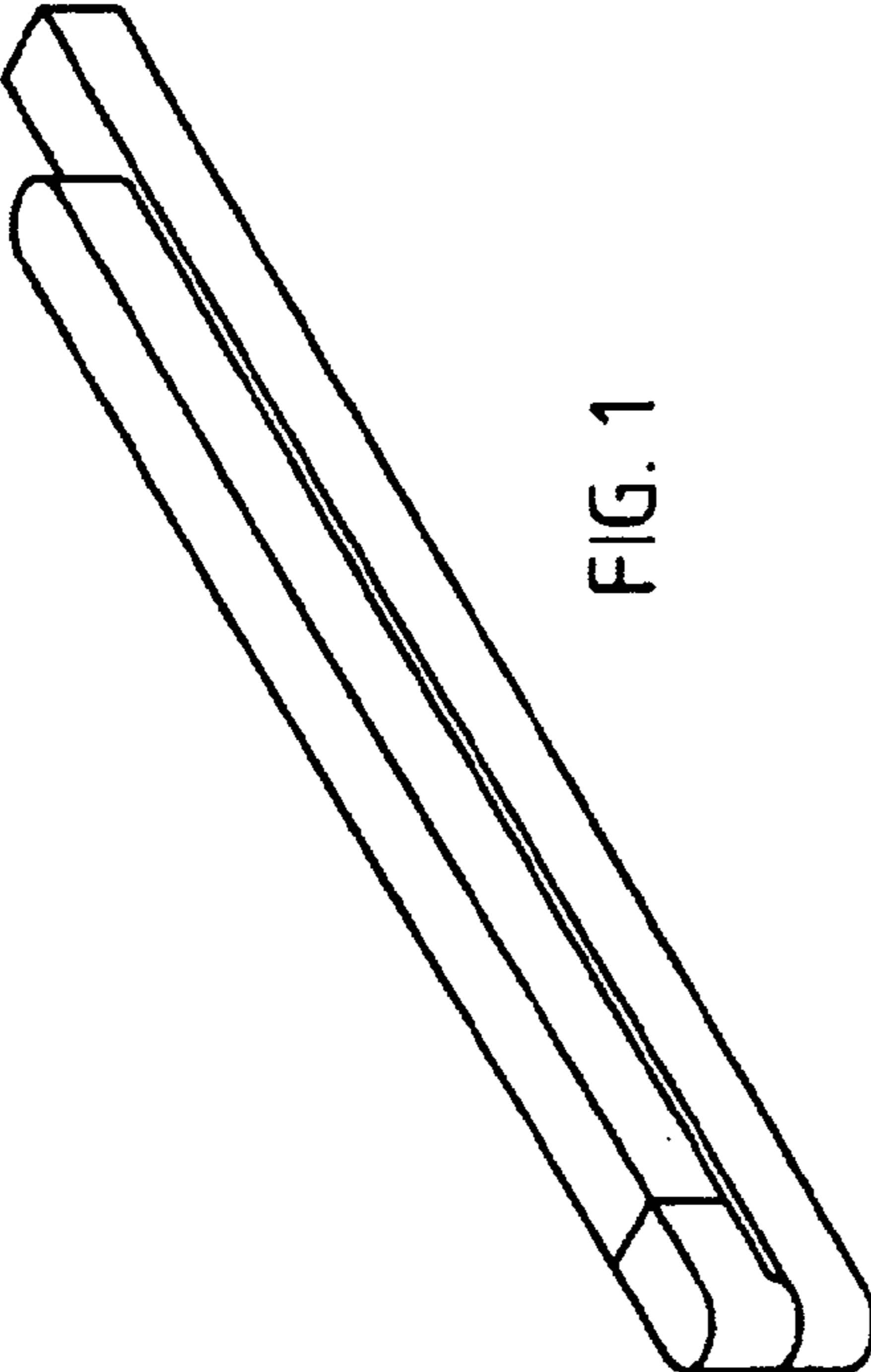


FIG. 1

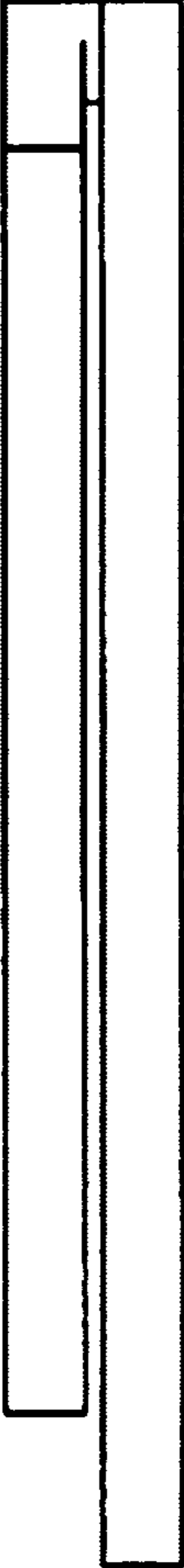


FIG. 2



FIG. 3

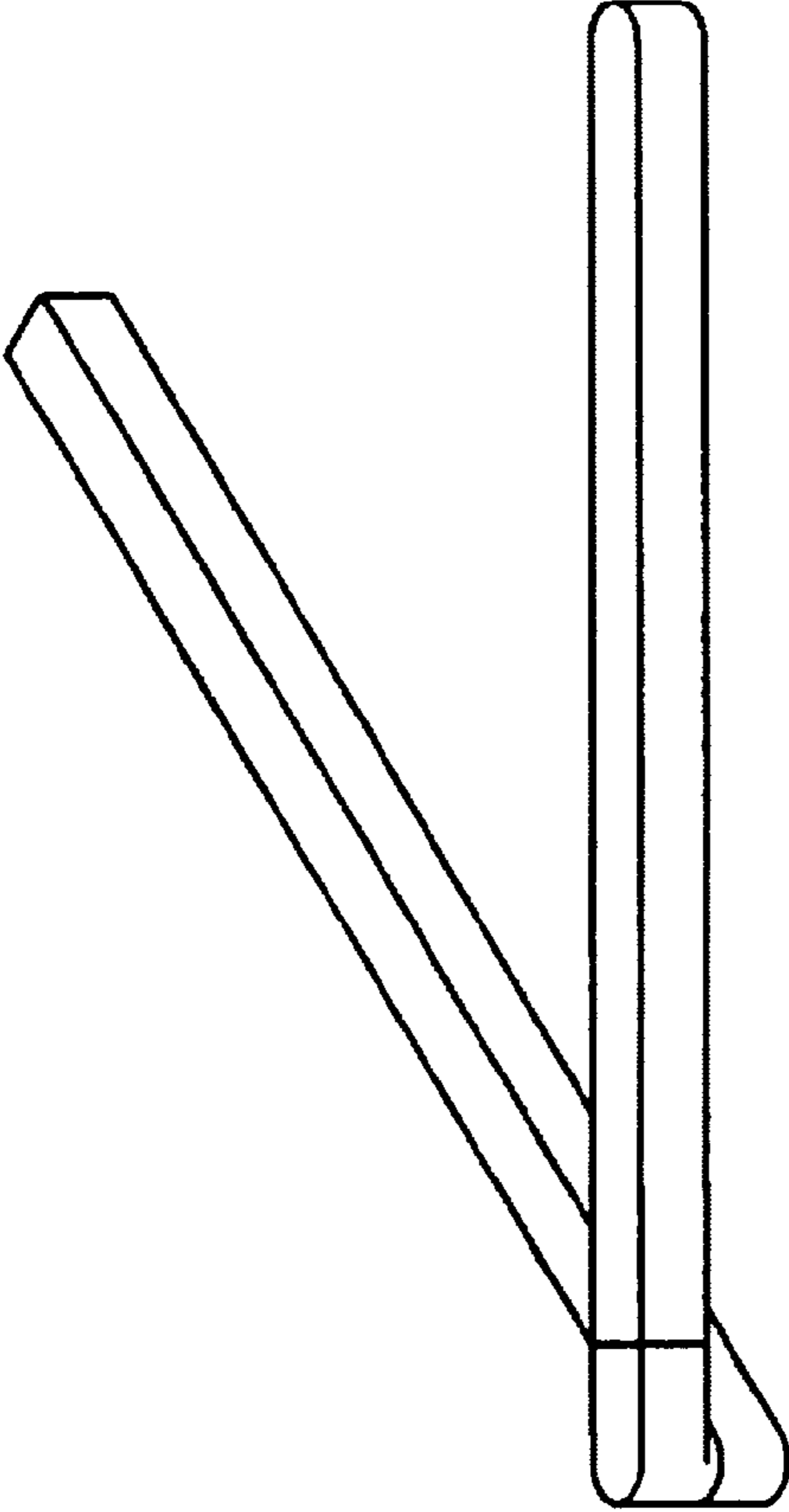


FIG. 4

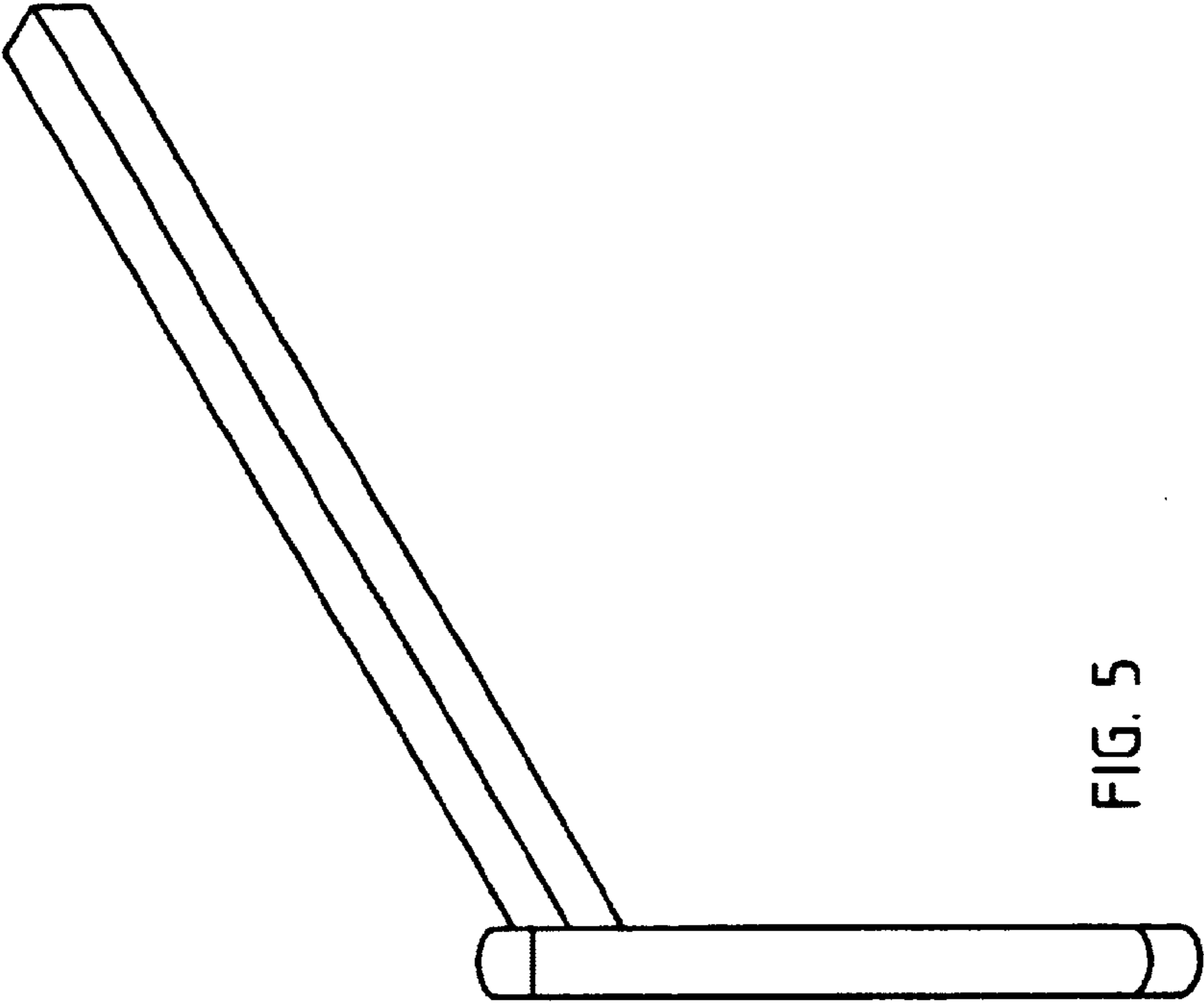
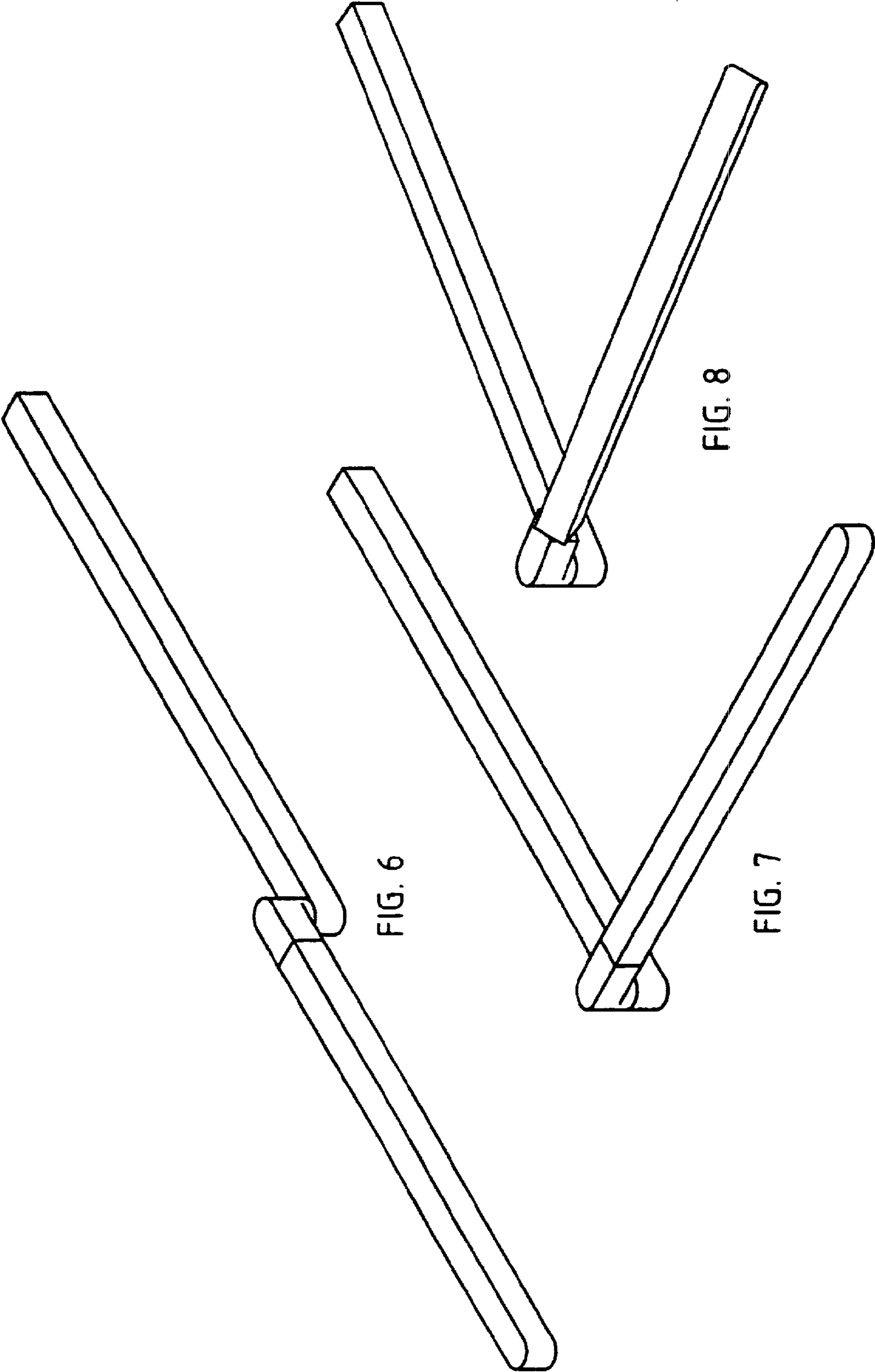


FIG. 5



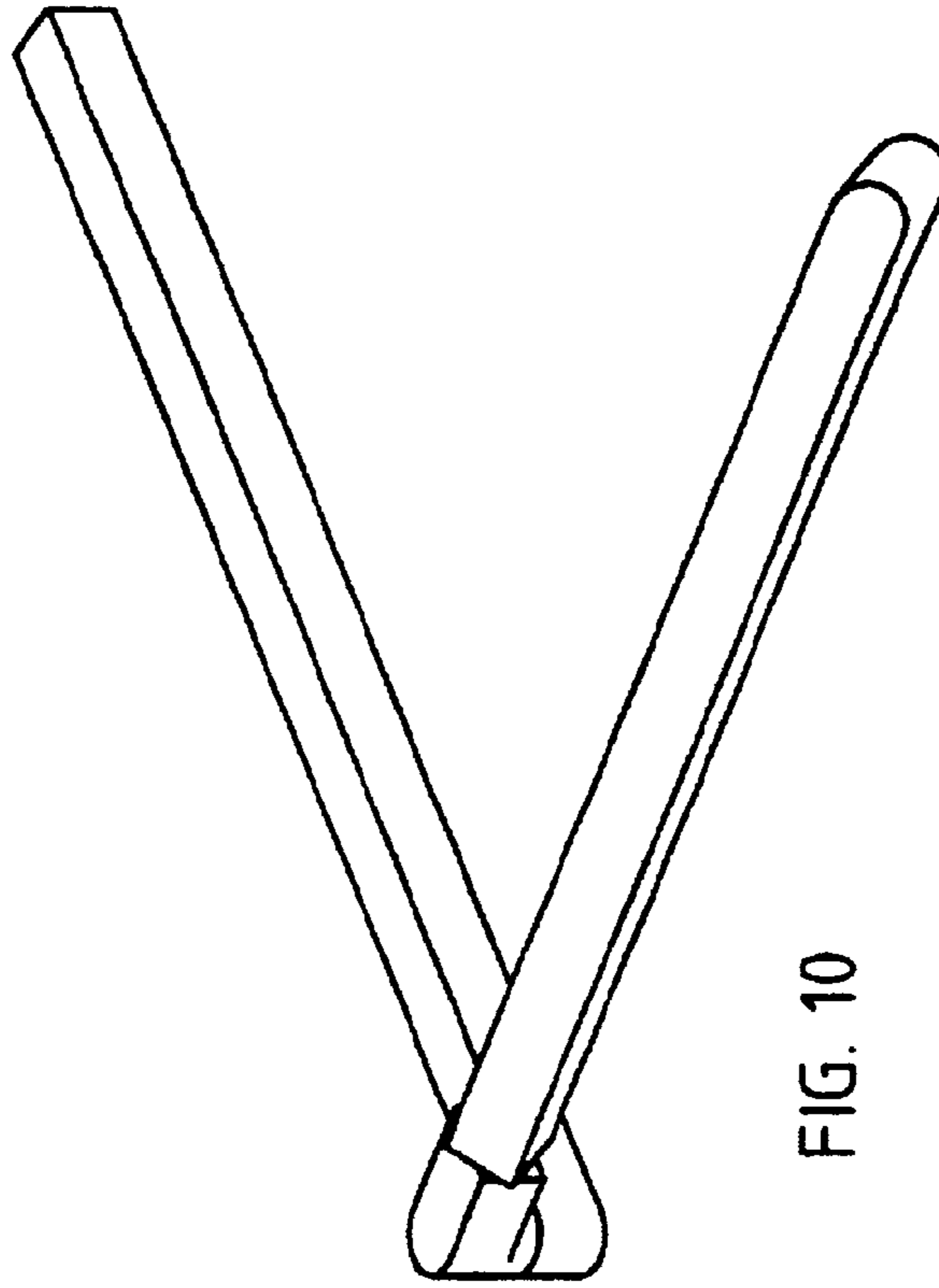


FIG. 10

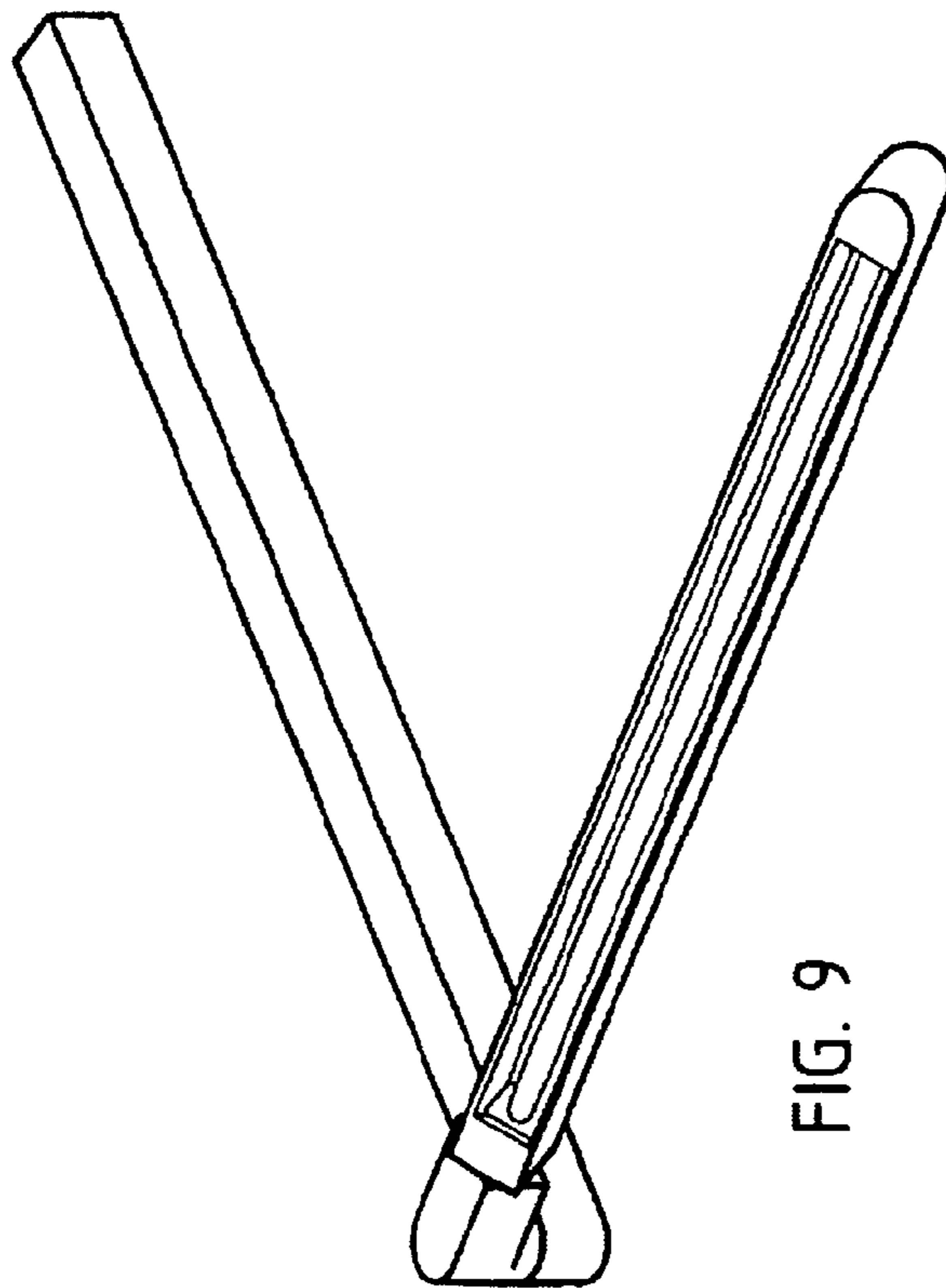


FIG. 9