



US00D495081S1

(12) **United States Design Patent**  
**Derrien**

(10) **Patent No.:** **US D495,081 S**

(45) **Date of Patent:** **\*\* Aug. 24, 2004**

(54) **COMBINED OPERATING, EXAMINATION  
AND DIAGNOSIS LIGHTING FIXTURE**

5,072,349 A \* 12/1991 Waniga ..... 362/238  
5,808,680 A \* 9/1998 Steckhan ..... 362/804  
6,511,210 B2 \* 1/2003 Gampe et al. .... 362/296

(75) Inventor: **Olivier Derrien**, Saint Jean le Blanc  
(FR)

\* cited by examiner

(73) Assignee: **ALM**, Ardon (FR)

*Primary Examiner*—Clare E. Heflin

(\*\*) Term: **14 Years**

(74) *Attorney, Agent, or Firm*—Lowe Hauptman Gilman &  
Berner LLP

(21) Appl. No.: **29/169,531**

(57) **CLAIM**

(22) Filed: **Oct. 23, 2002**

The ornamental design for the combined operating, exami-  
nation and diagnosis lighting fixture, as shown.

(51) **LOC (7) Cl.** ..... **26-05**

**DESCRIPTION**

(52) **U.S. Cl.** ..... **D26/65**

(58) **Field of Search** ..... D26/24, 60-66,  
D26/72; 362/33, 267, 269, 271-273, 276,  
282, 283, 285, 287, 418, 419, 427, 428,  
804; 600/249

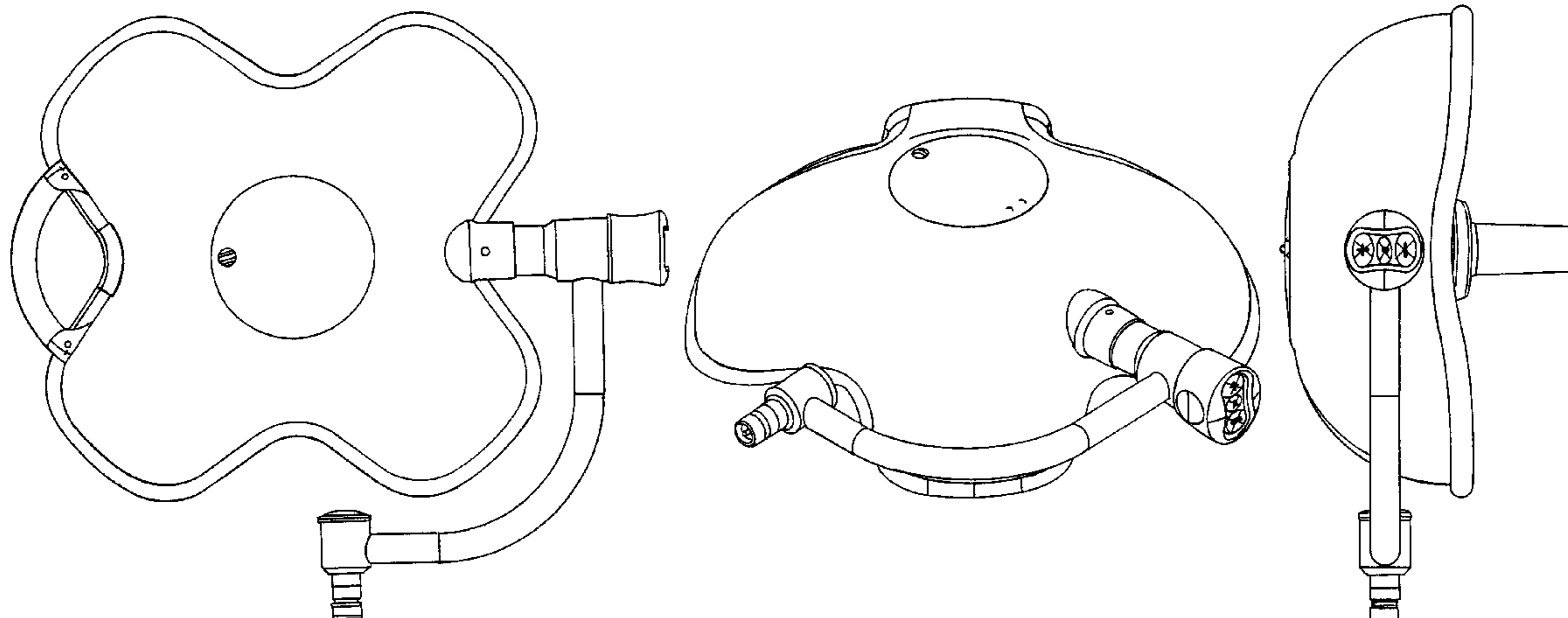
FIG. 1 is a top view thereof;  
FIG. 2 is a perspective front view thereof;  
FIG. 3 is a bottom view thereof;  
FIG. 4 is a perspective bottom view thereof;  
FIG. 5 is a side view thereof;  
FIG. 6 is a right side view thereof; and,  
FIG. 7 is a left side view thereof.

(56) **References Cited**

**U.S. PATENT DOCUMENTS**

3,927,313 A \* 12/1975 Herold ..... 362/234

**1 Claim, 3 Drawing Sheets**



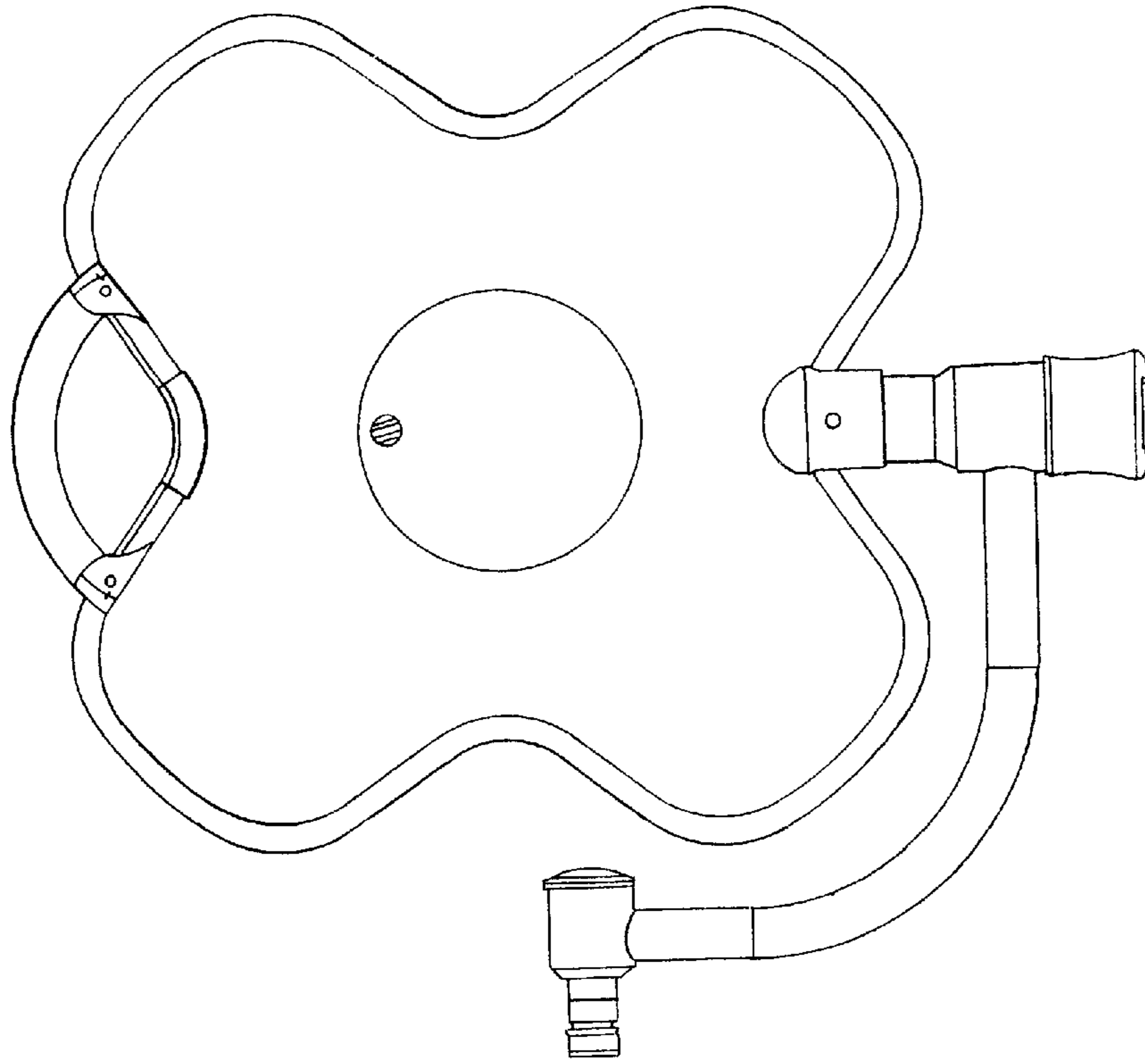


FIG. 1

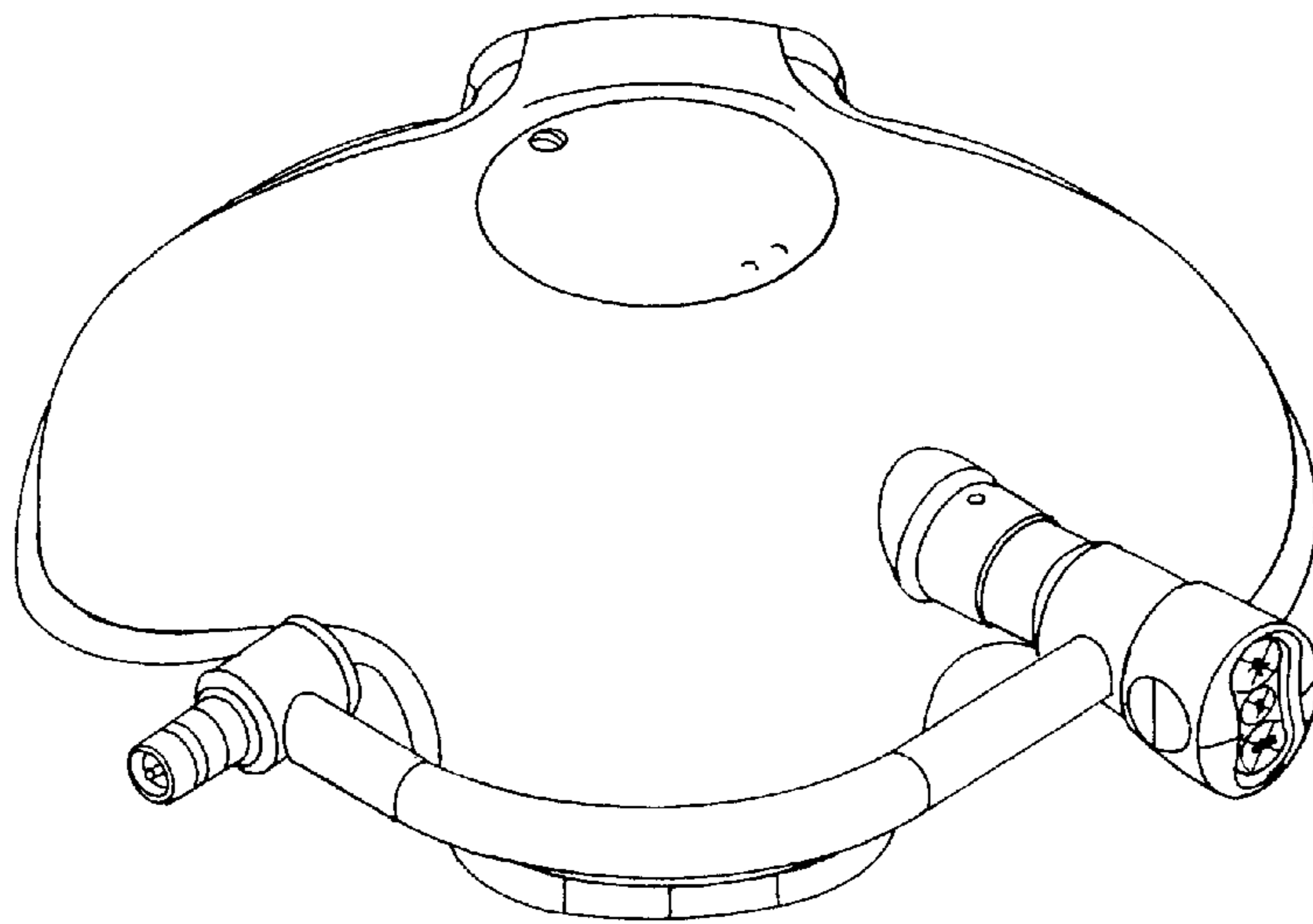


FIG. 2

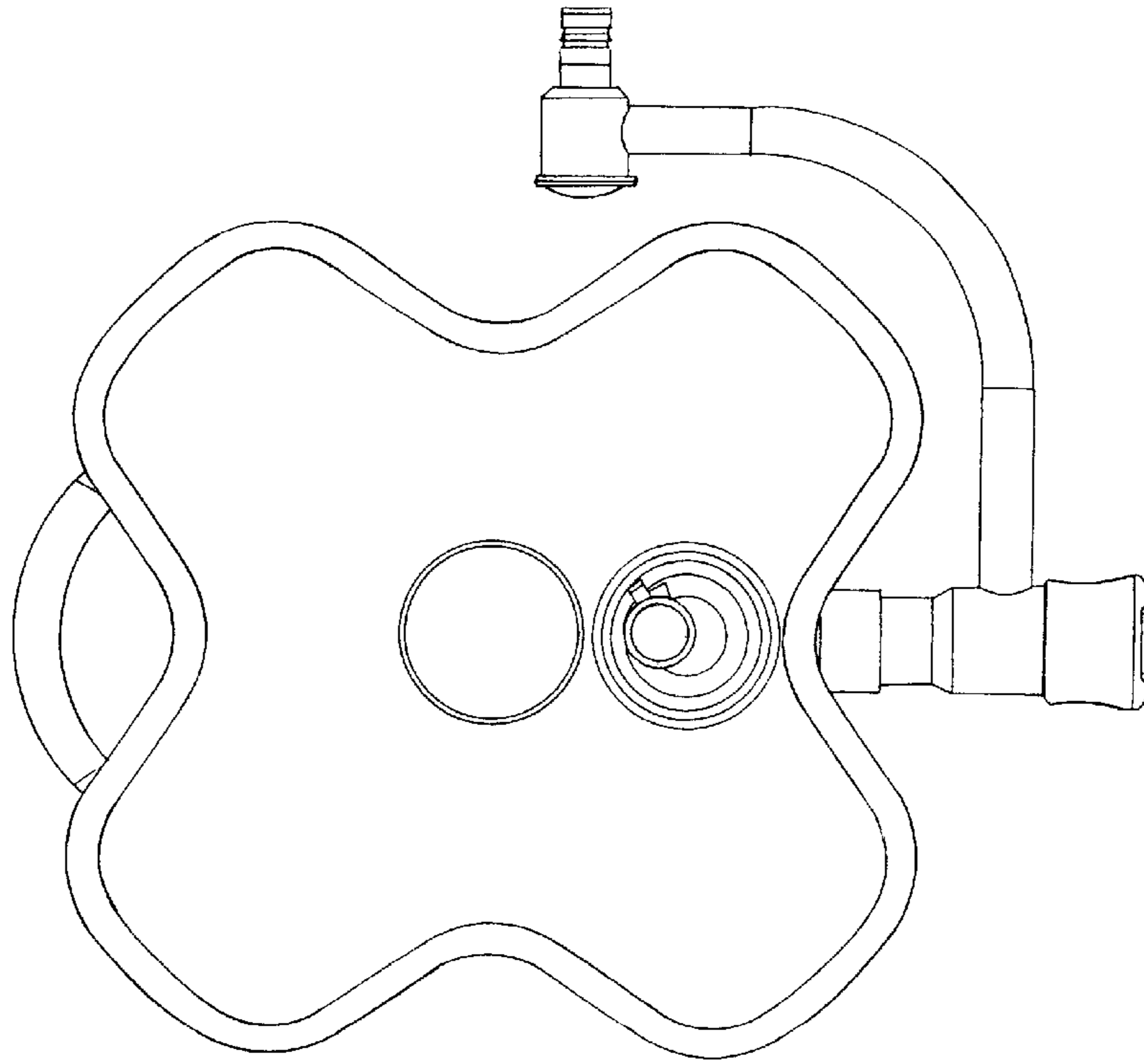


FIG. 3

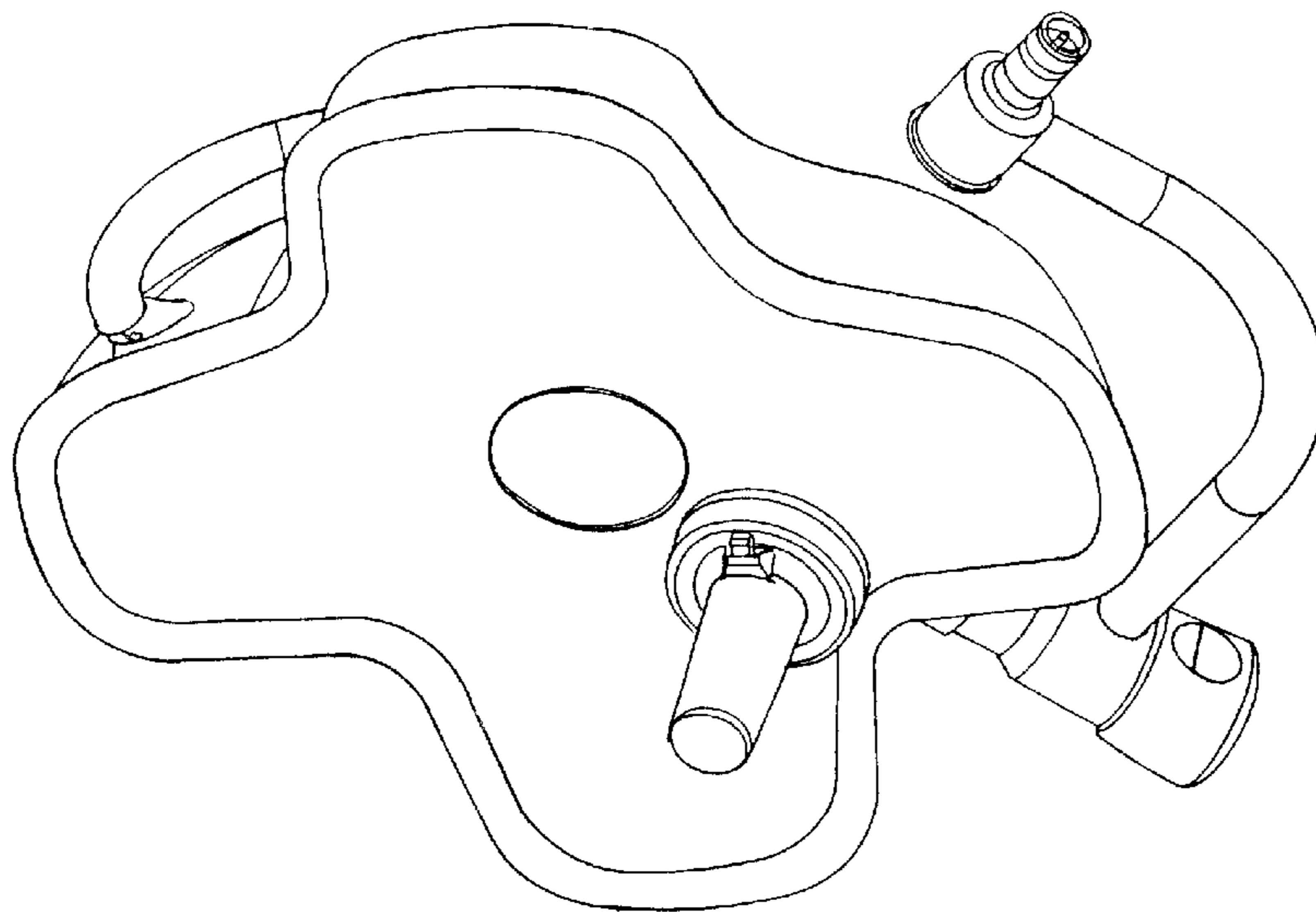


FIG. 4

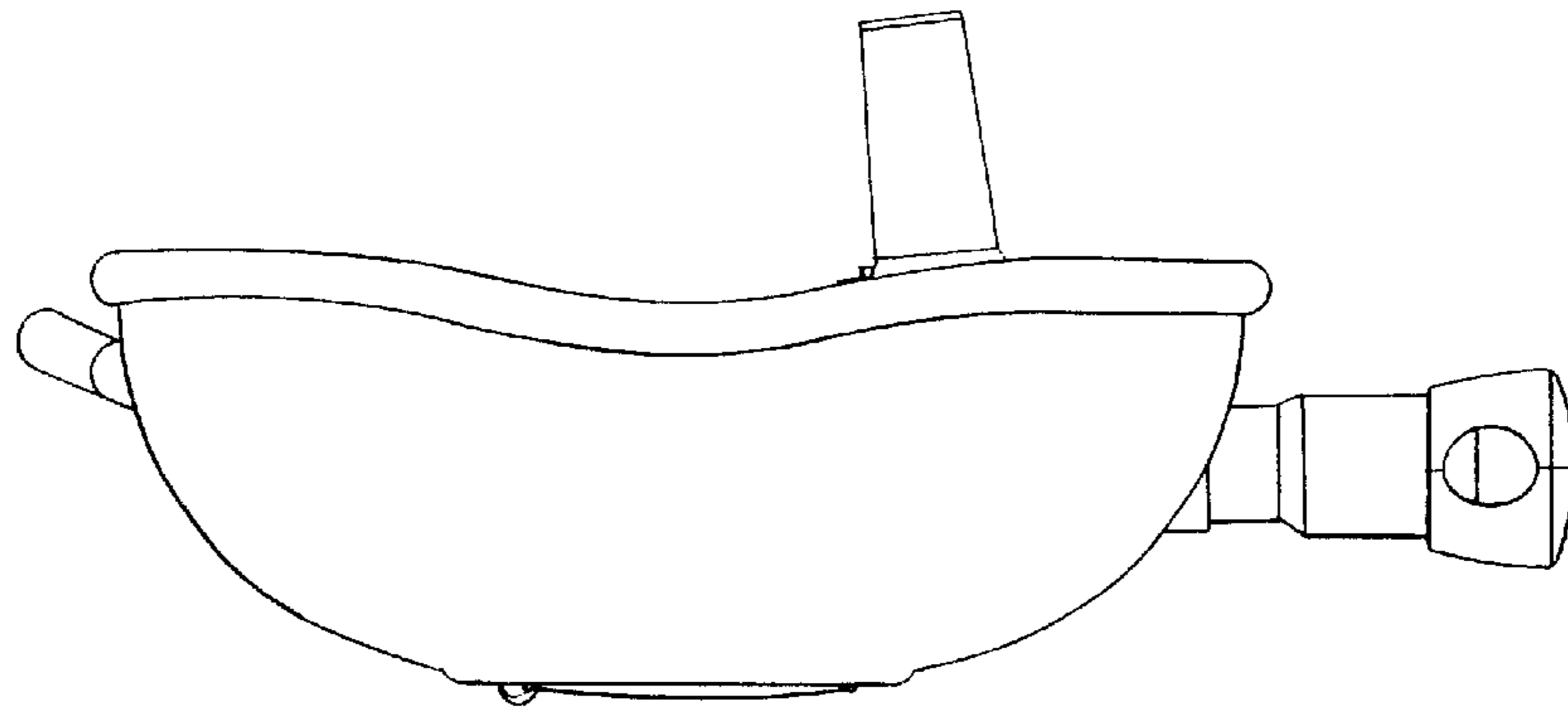


FIG. 5

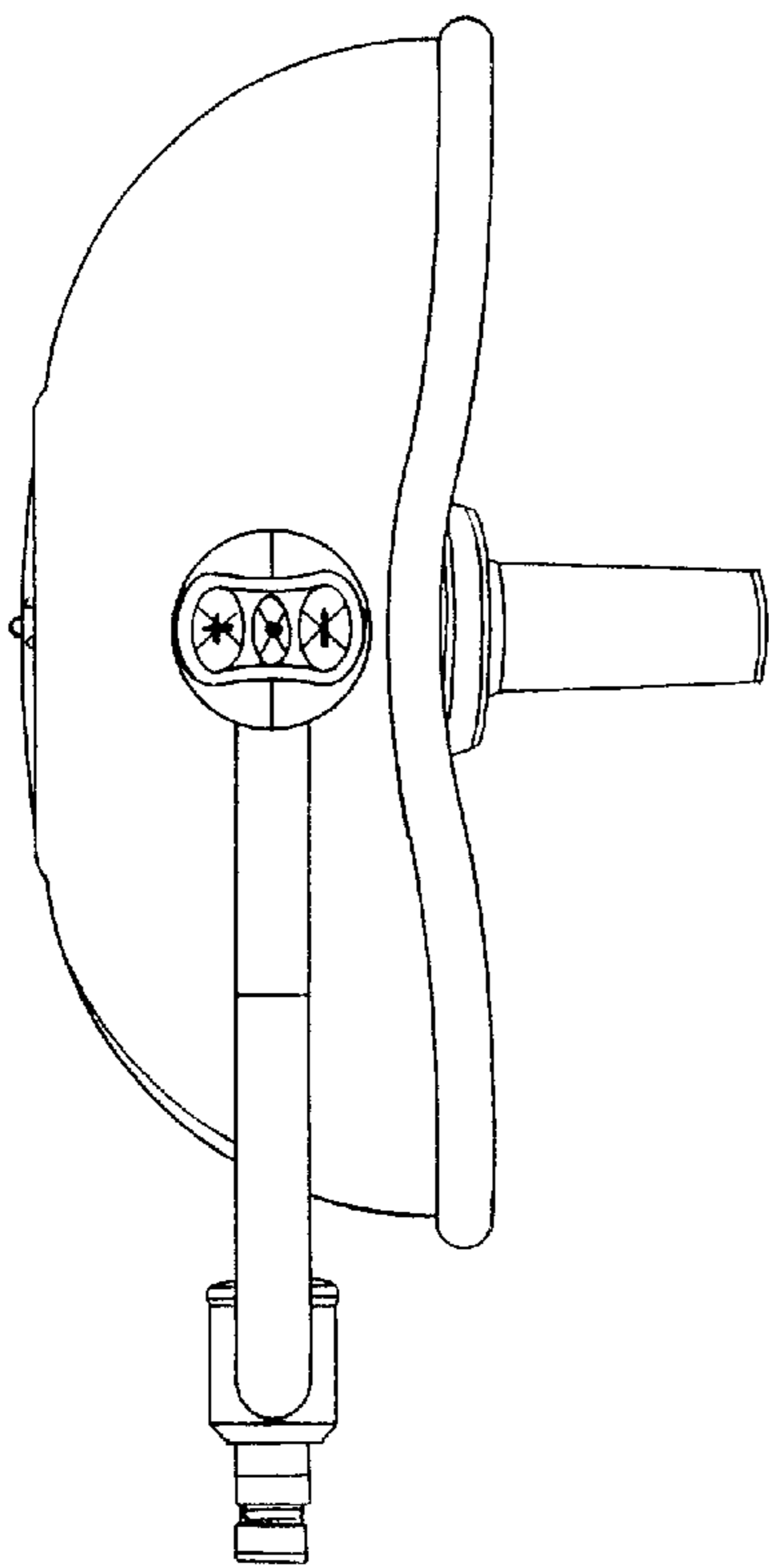


FIG. 6

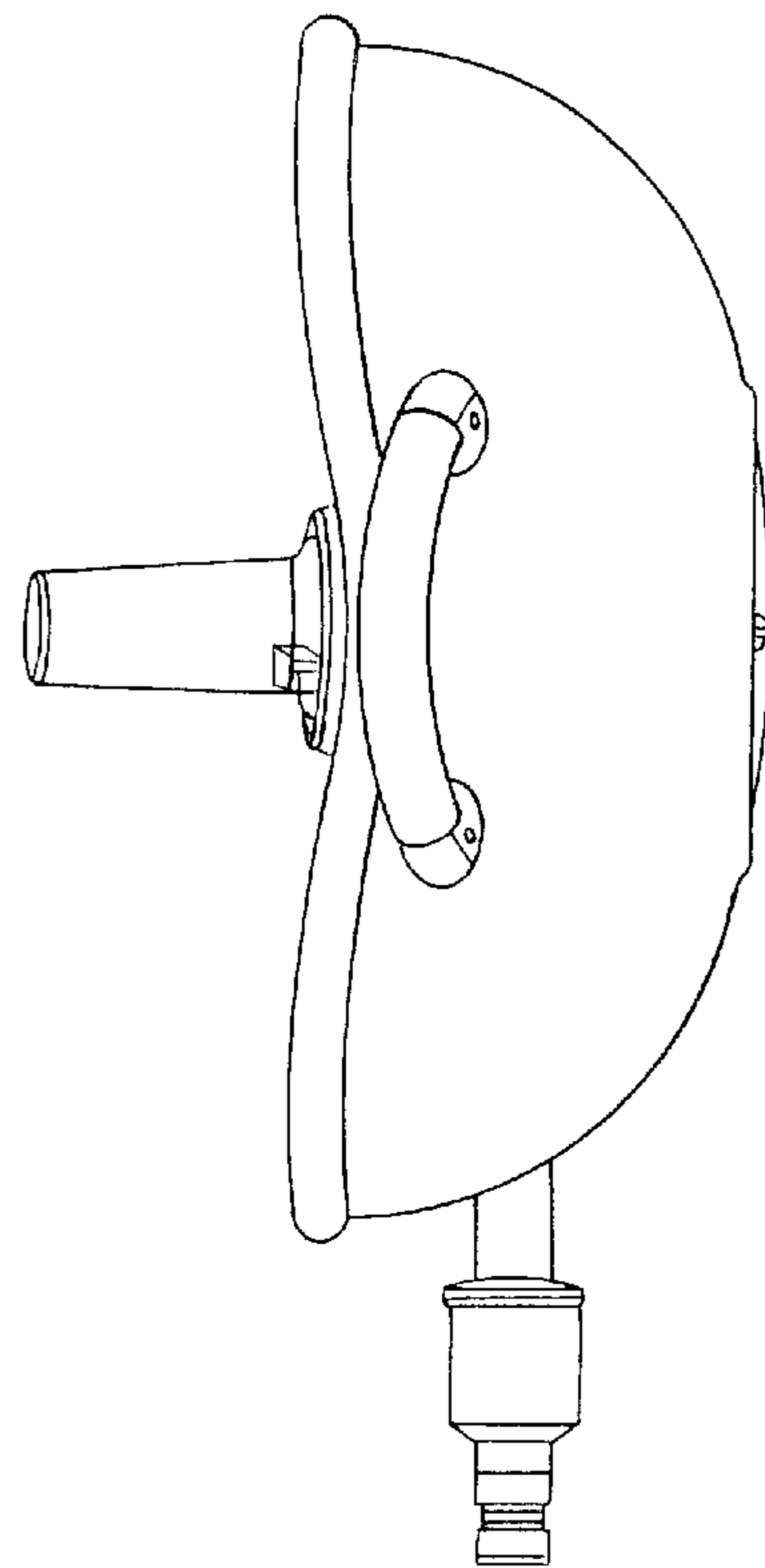


FIG. 7

UNITED STATES PATENT AND TRADEMARK OFFICE  
**CERTIFICATE OF CORRECTION**

PATENT NO. : Des. 495,081 S  
APPLICATION NO. : 29/169531  
DATED : August 24, 2004  
INVENTOR(S) : Olivier Derrien et al.

Page 1 of 1

It is certified that error appears in the above-identified patent and that said Letters Patent is hereby corrected as shown below:

Title Page; item (30); please insert;  
Application Foreign Priority Document: French Design Application No. 02 2687, filed  
April 24, 2002.

Signed and Sealed this

Seventeenth Day of July, 2007

A handwritten signature in black ink on a light gray dotted background. The signature reads "Jon W. Dudas" in a cursive style.

JON W. DUDAS

*Director of the United States Patent and Trademark Office*