

US00D495074S1

(12) **United States Design Patent**
Oas

(10) **Patent No.:** **US D495,074 S**

(45) **Date of Patent:** **** Aug. 24, 2004**

(54) **PENLIGHT CARABINEER WITH COMPASS**

(75) Inventor: **Daniel Oas**, El Monte, CA (US)

(73) Assignee: **Calibre International LLC**, Irwindale, CA (US)

(**) Term: **14 Years**

(21) Appl. No.: **29/194,812**

(22) Filed: **Dec. 1, 2003**

(51) **LOC (7) Cl.** **26-02**

(52) **U.S. Cl.** **D26/37**

(58) **Field of Search** D26/37-50; 362/157,
362/158, 171-174, 183-208

(56) **References Cited**

U.S. PATENT DOCUMENTS

D403,451 S	*	12/1998	Ting	D26/37
D419,704 S	*	1/2000	Ting	D26/37
D430,321 S	*	8/2000	Sharrah	D26/37
D484,263 S	*	12/2003	Kelleghan	D26/37

* cited by examiner

Primary Examiner—Marcus A. Jackson

(74) *Attorney, Agent, or Firm*—Brian Carpenter

(57) **CLAIM**

The ornamental design for a penlight carabineer with compass, as shown and described.

DESCRIPTION

FIG. 1 is a perspective view of a penlight carabineer with compass;

FIG. 2 is a top plan view of the penlight carabineer with compass of FIG. 1;

FIG. 3 is a bottom plan view of the penlight carabineer with compass of FIG. 1;

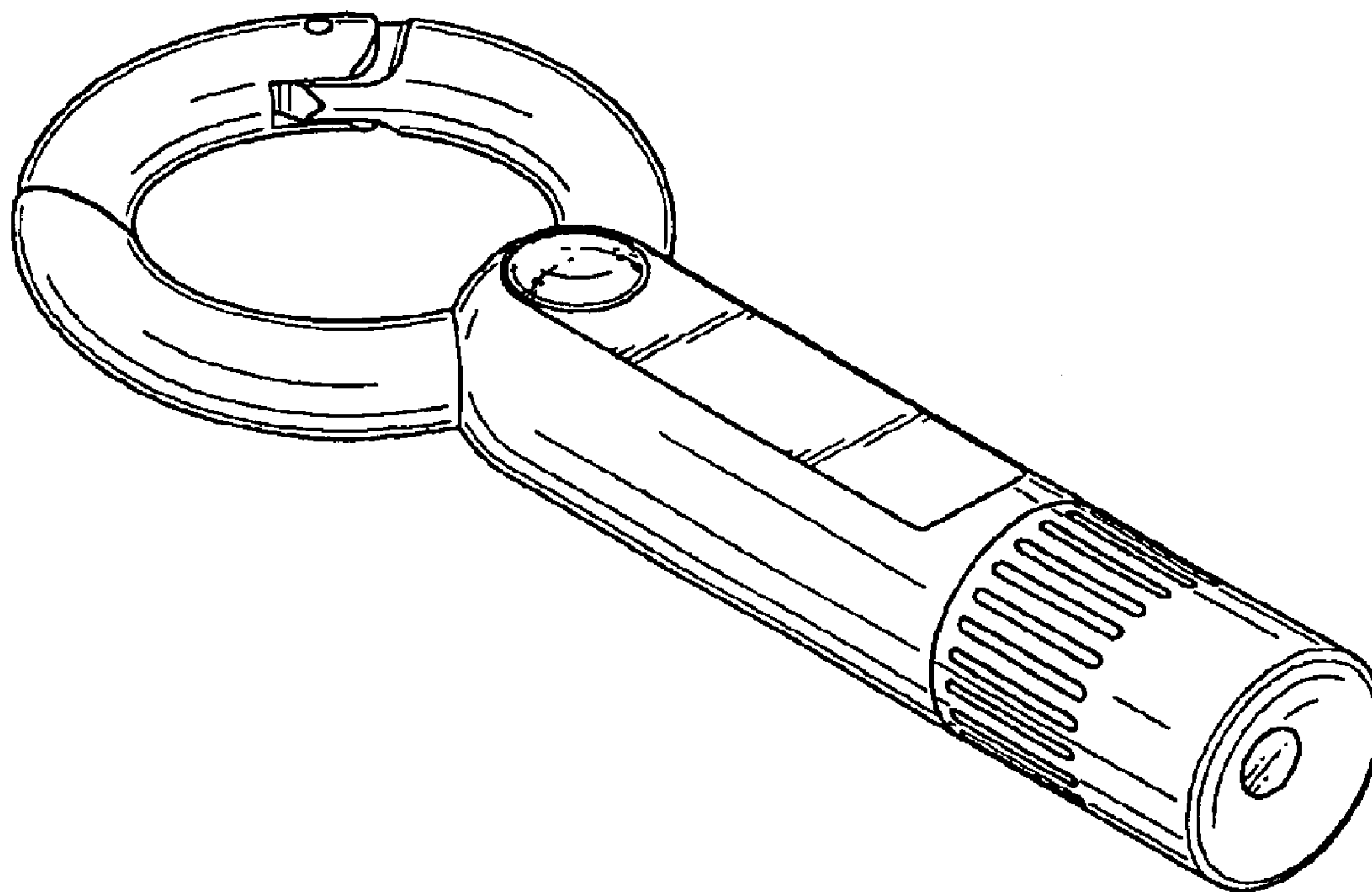
FIG. 4 is a left side elevational view of the penlight carabineer with compass of FIG. 1;

FIG. 5 is a right side elevational view of the penlight carabineer with compass of FIG. 1;

FIG. 6 is a front elevational view of the penlight carabineer with compass of FIG. 1; and,

FIG. 7 is a rear elevational view of the penlight carabineer with compass of FIG. 1.

1 Claim, 2 Drawing Sheets



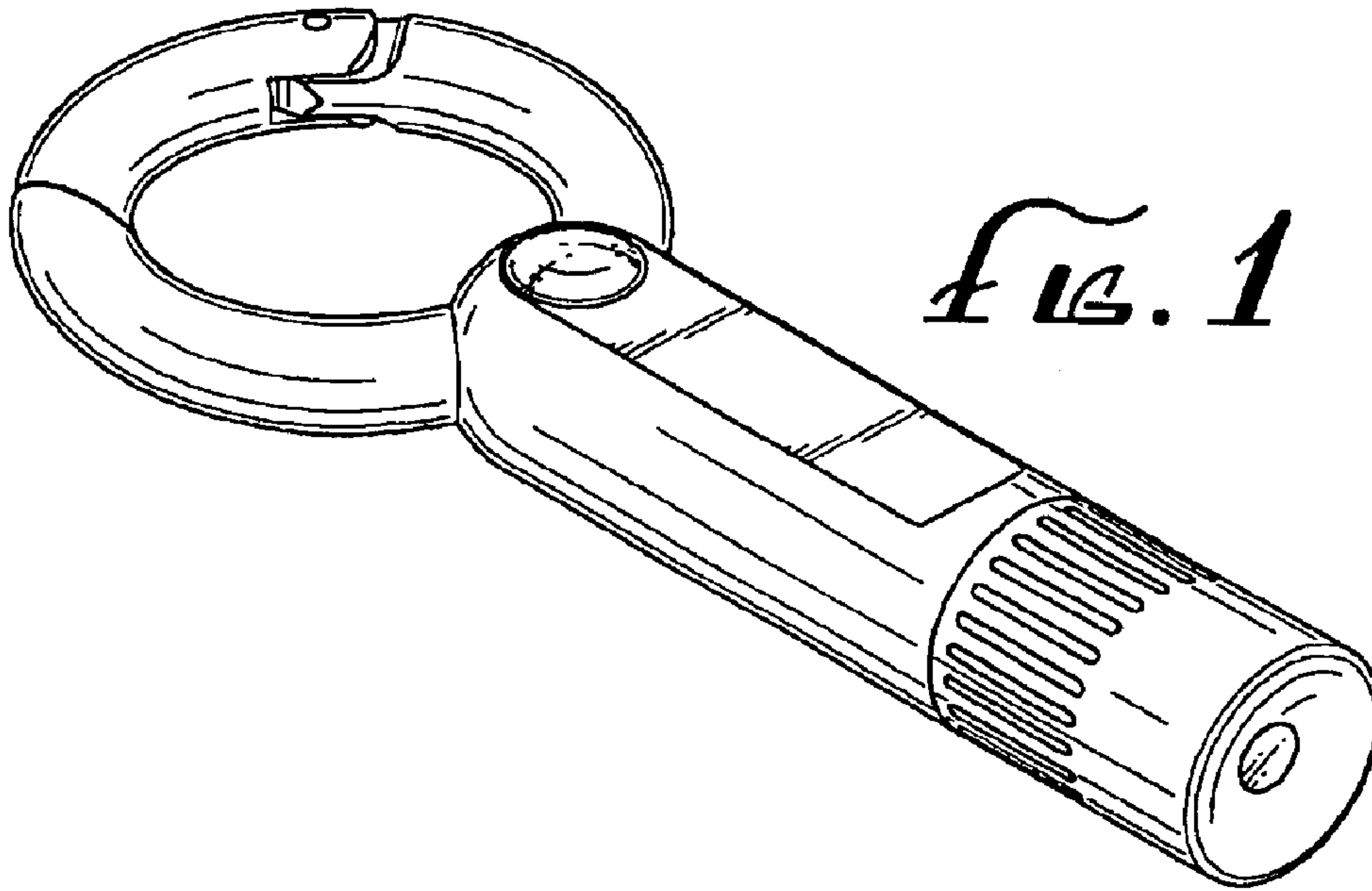


FIG. 1

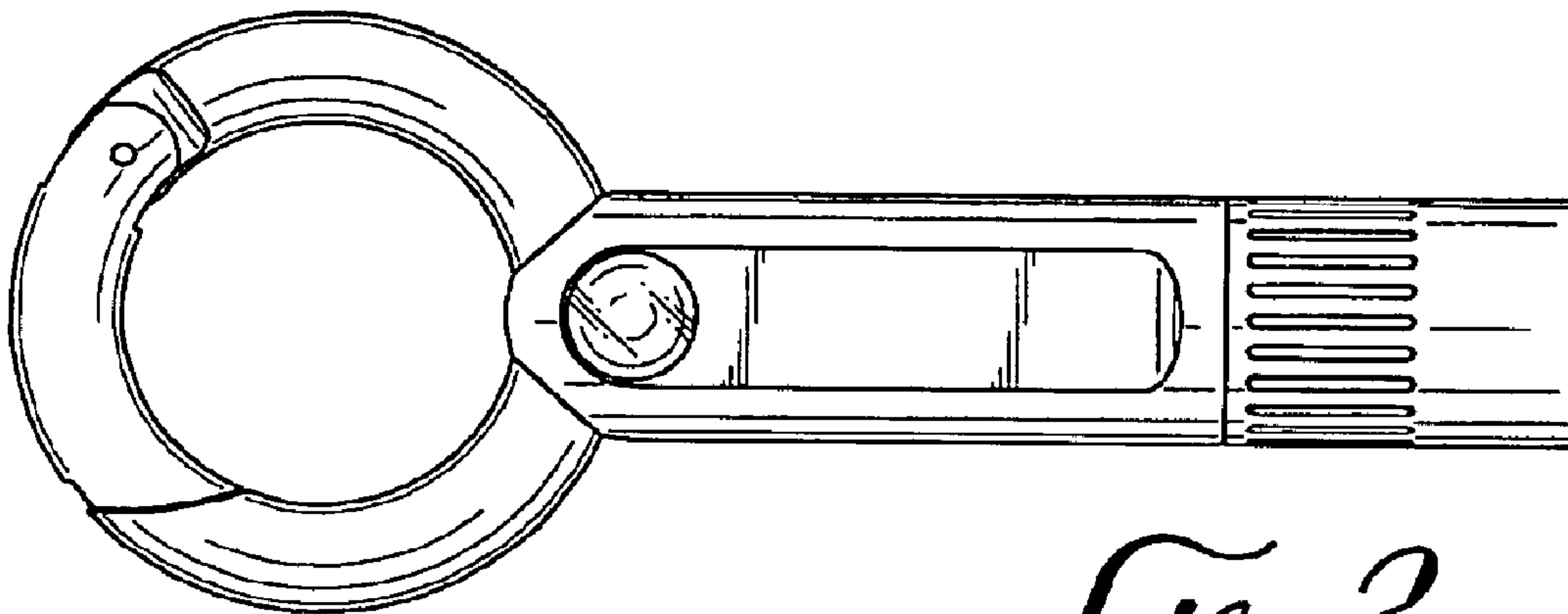


FIG. 2

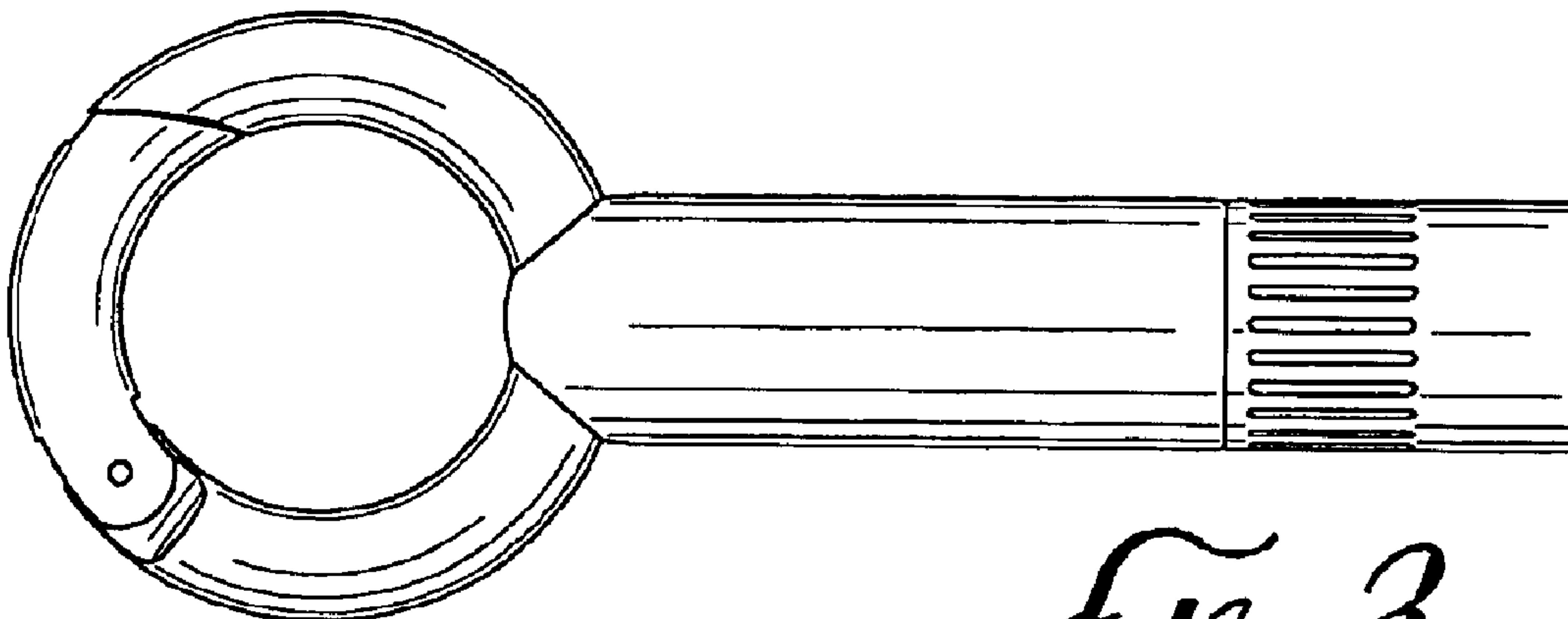


FIG. 3

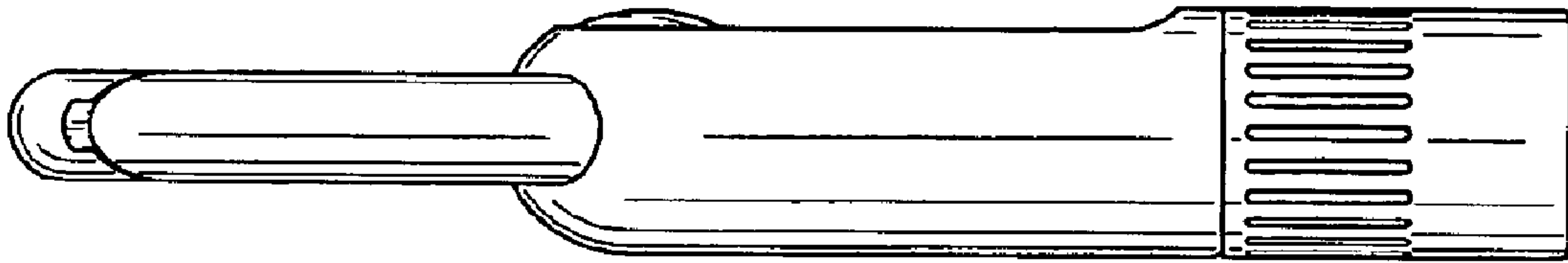


FIG. 4

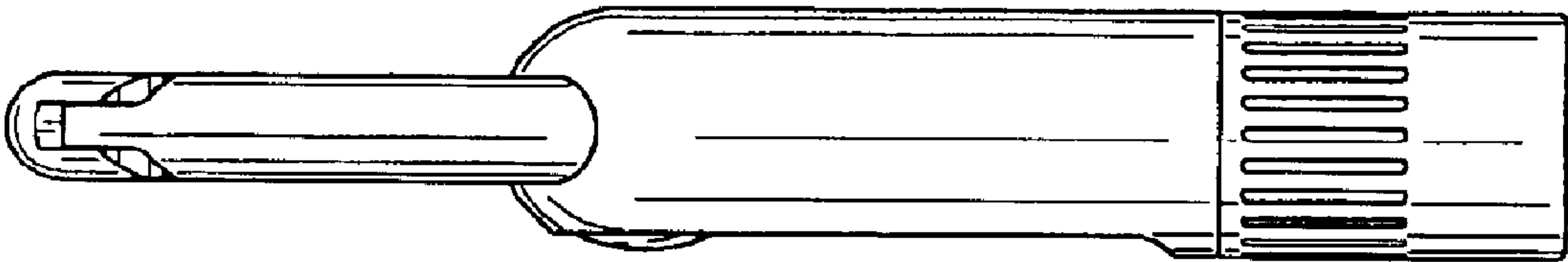


FIG. 5

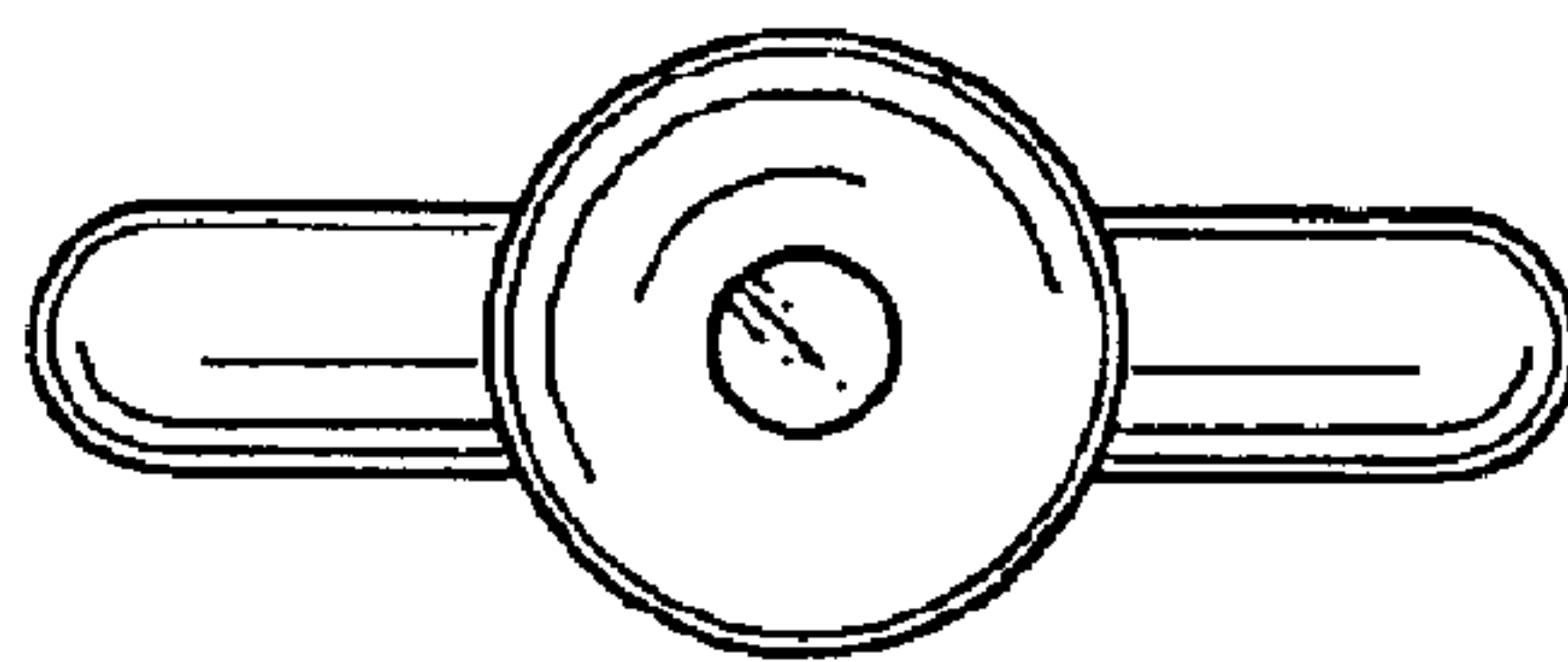


FIG. 6

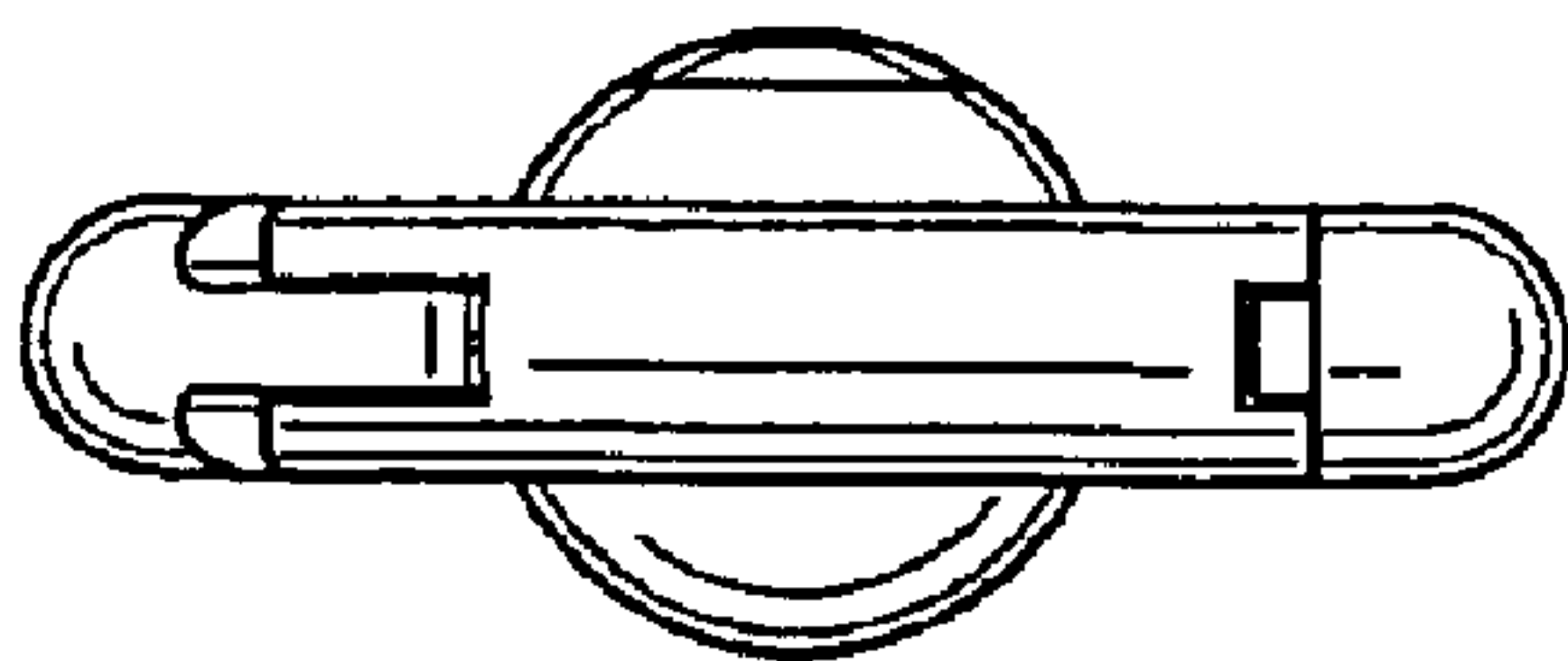


FIG. 7