



US00D495069S1

(12) **United States Design Patent**
Yu

(10) **Patent No.: US D495,069 S**
(45) **Date of Patent: ** Aug. 24, 2004**

(54) **NIGHT LIGHT**

(76) **Inventor: Jeff Yu**, 1101 S. Winchester Blvd.
#D146, San Jose, CA (US) 95128

(**) **Term: 14 Years**

(21) **Appl. No.: 29/170,270**

(22) **Filed: Nov. 4, 2002**

(51) **LOC (7) Cl. 26-05**

(52) **U.S. Cl. D26/26; D26/73**

(58) **Field of Search D26/26, 73, 4,**
D26/7, 32, 57, 94, 125, 146, 147; D23/367;
D13/137.1, 137.2, 139.1; 362/95, 226, 806;
D11/184, 56, 103

(56) **References Cited**

U.S. PATENT DOCUMENTS

174,162 A	*	2/1876	Snow	426/104
D117,924 S	*	12/1939	Joyce	D11/56
D155,365 S	*	9/1949	Schober	D26/125
D158,182 S	*	4/1950	Demaree	D11/2
3,119,563 A	*	1/1964	Ruffman	362/200
D381,443 S	*	7/1997	Yuen	D26/26
D407,991 S	*	4/1999	Jacks	D11/56
D451,623 S	*	12/2001	Zuloff	D26/94
D470,612 S	*	2/2003	Kit	D26/26

OTHER PUBLICATIONS

CENS Lighting Oct. 2002, p. 187, item#A-7102-B3.*
Hong Kong Enterprise vol. 10—1999, p. 441;
item#M9605.*
Hong Kong Enterprise vol. 2—200; p. 82; “Fancy Lights”—
top right of page.*
Hong Kong Enterprise vol. 2—2000; p. 68; item#TM257
and item#TC165.*

* cited by examiner

Primary Examiner—Clare E. Heflin

(57) **CLAIM**

The ornamental design for a night light, as shown and described.

DESCRIPTION

FIG. 1 is a front perspective view of a night light;
FIG. 2 is a front elevational view thereof;
FIG. 3 is a left elevational view thereof;
FIG. 4 is a top view thereof;
FIG. 5 is bottom view thereof; and,
FIG. 6 is a rear view thereof.

The broken lines shown on the drawings are for illustrative purposes only and form no part of the claimed design.

1 Claim, 2 Drawing Sheets

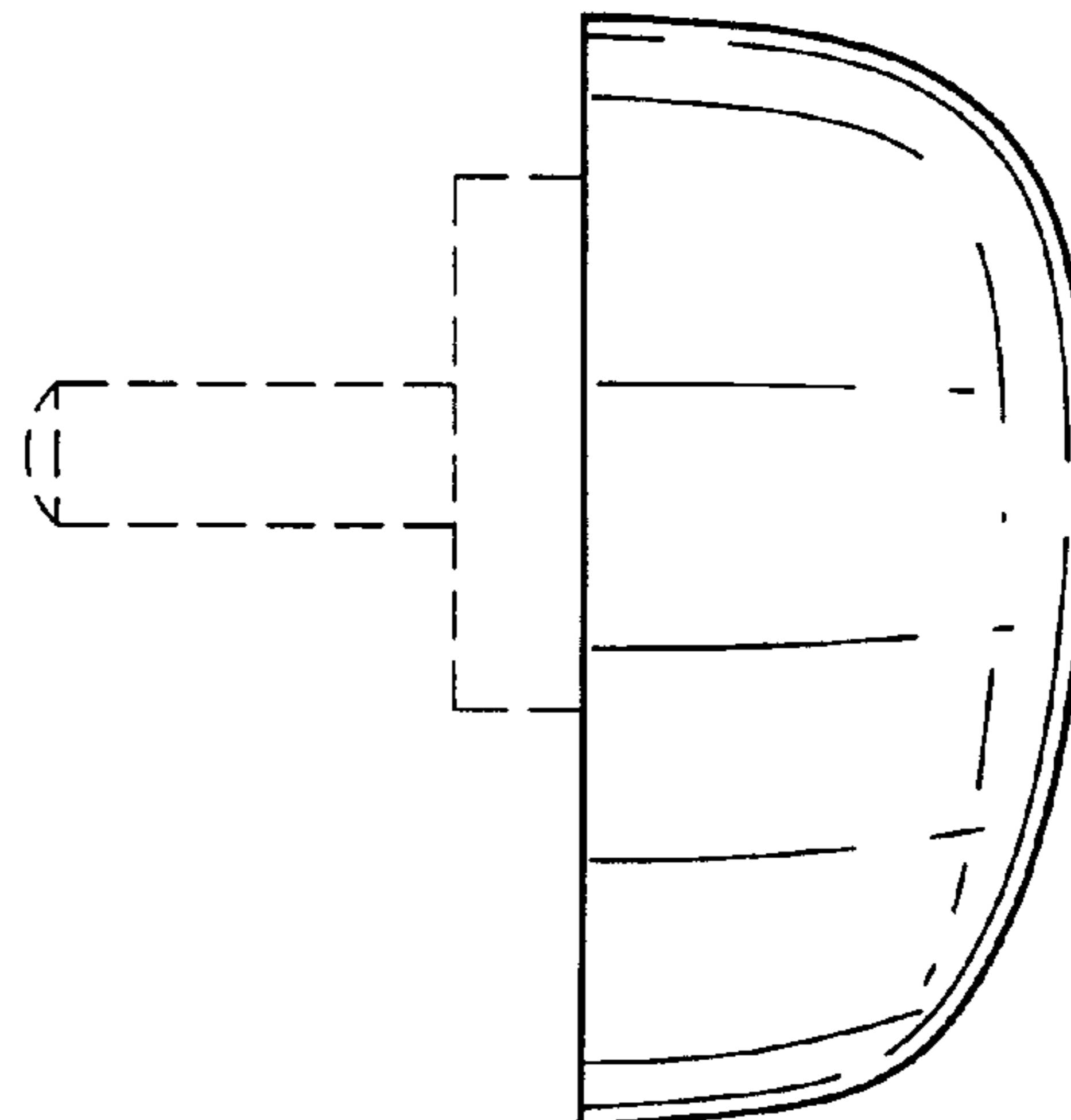
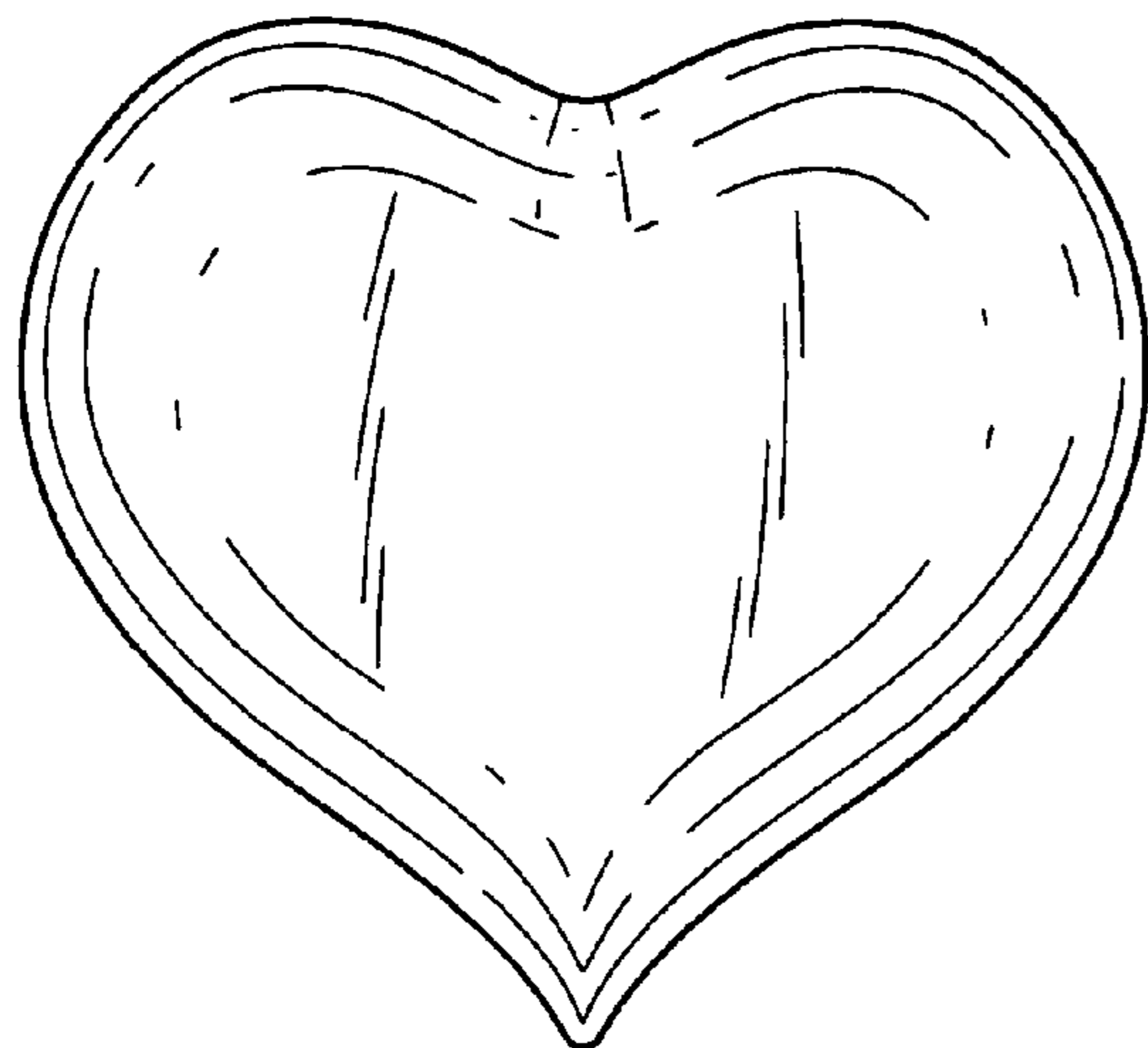


FIG. 1

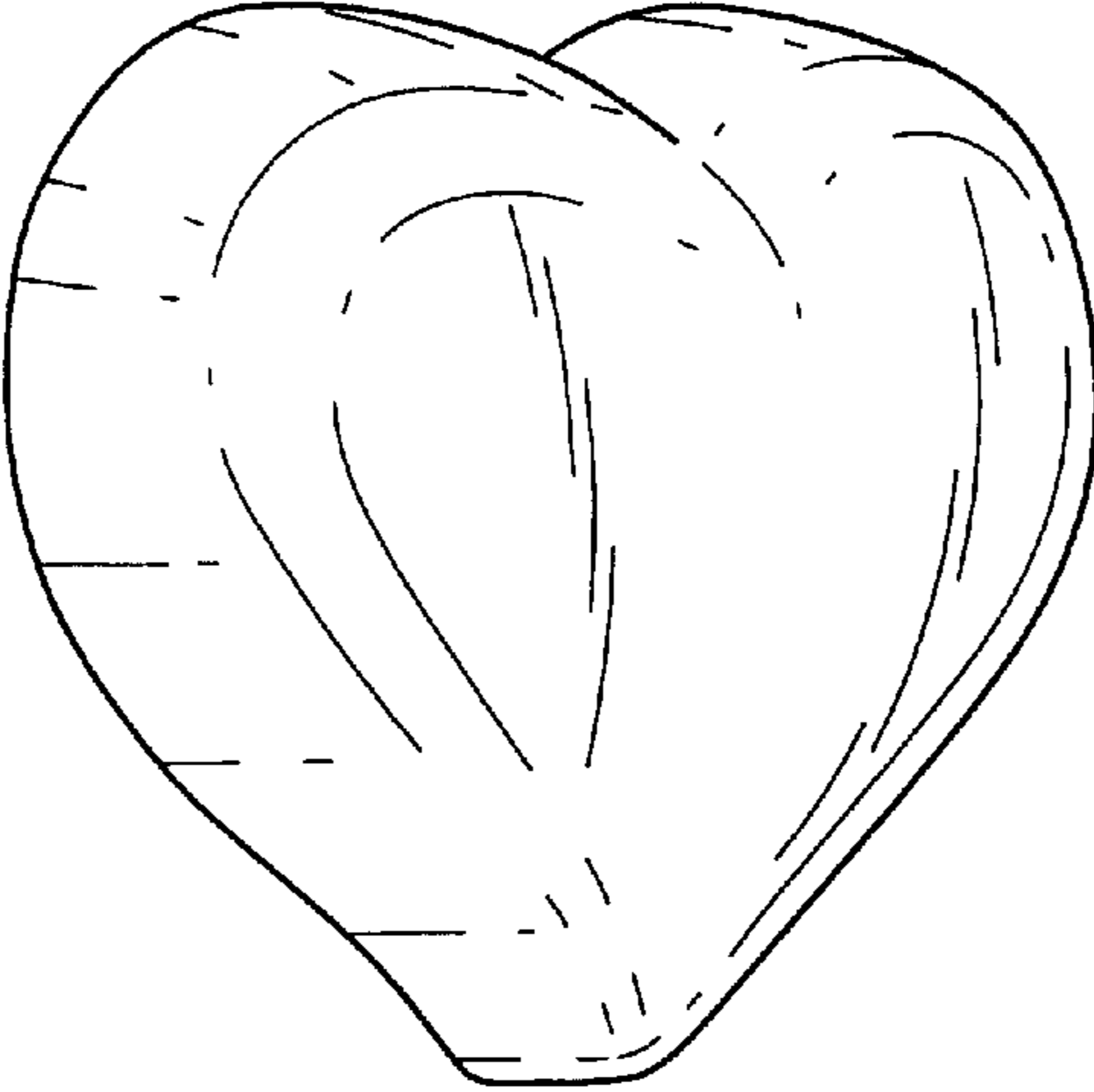


FIG. 2

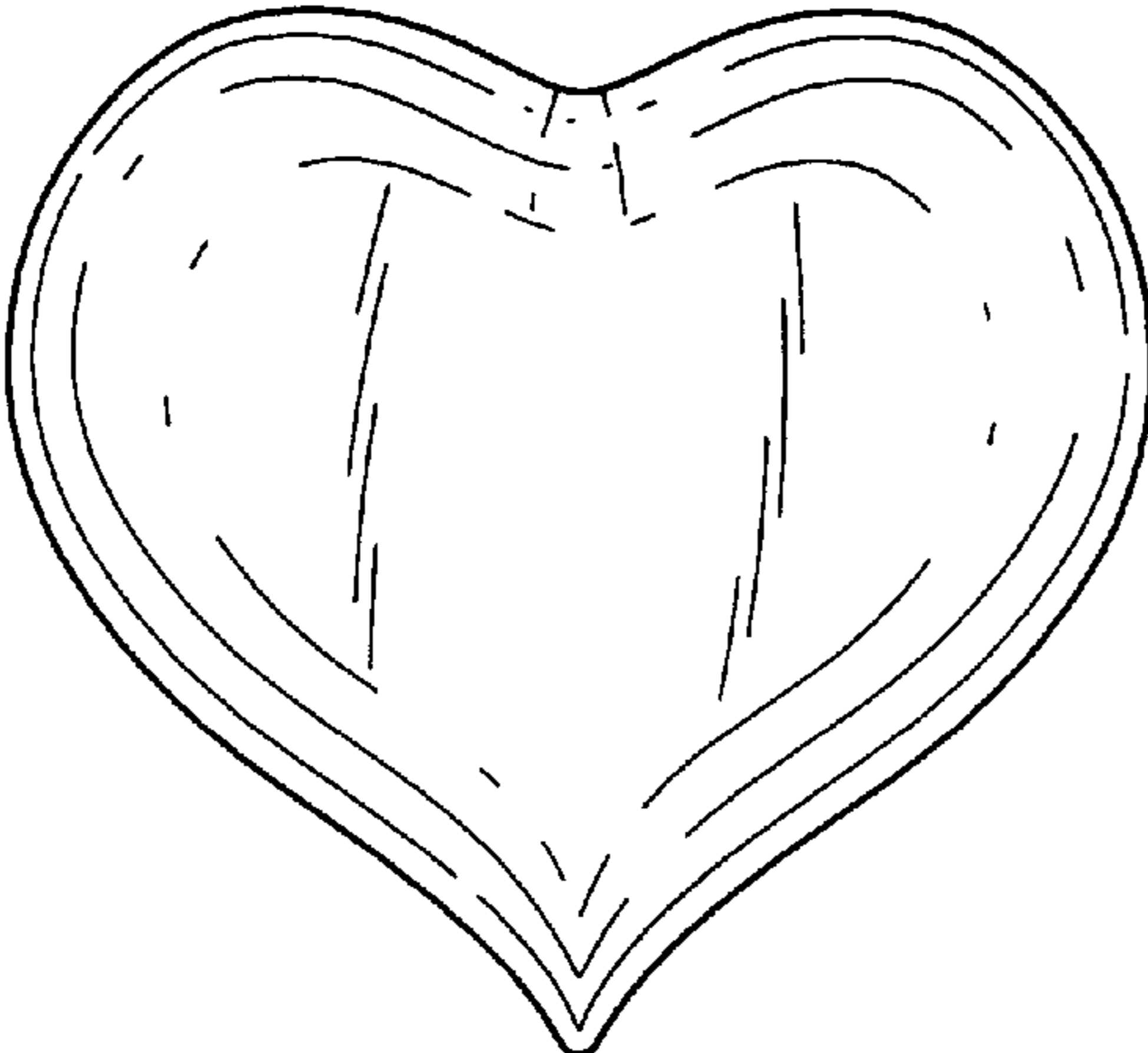


FIG. 3

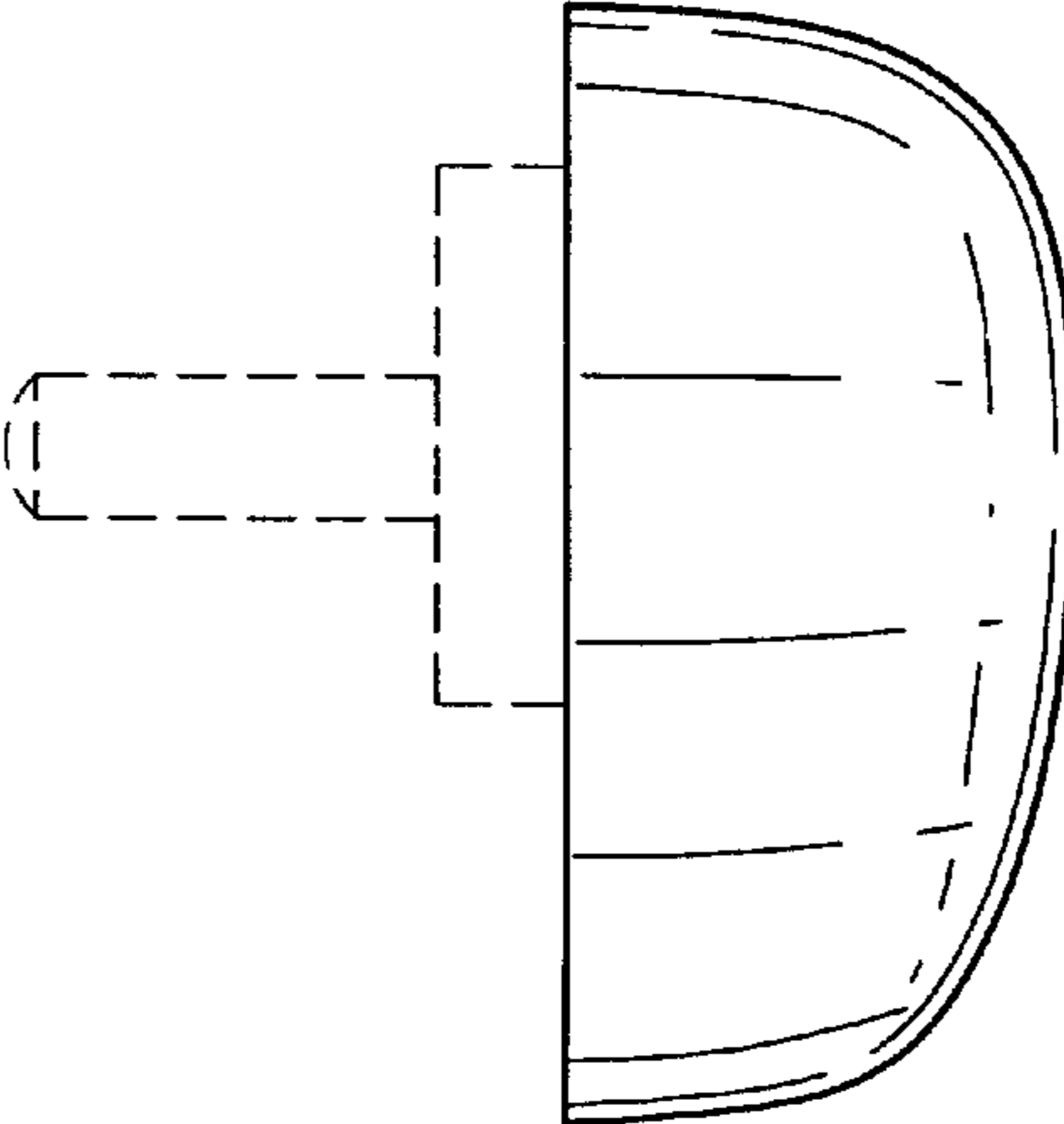


FIG. 4

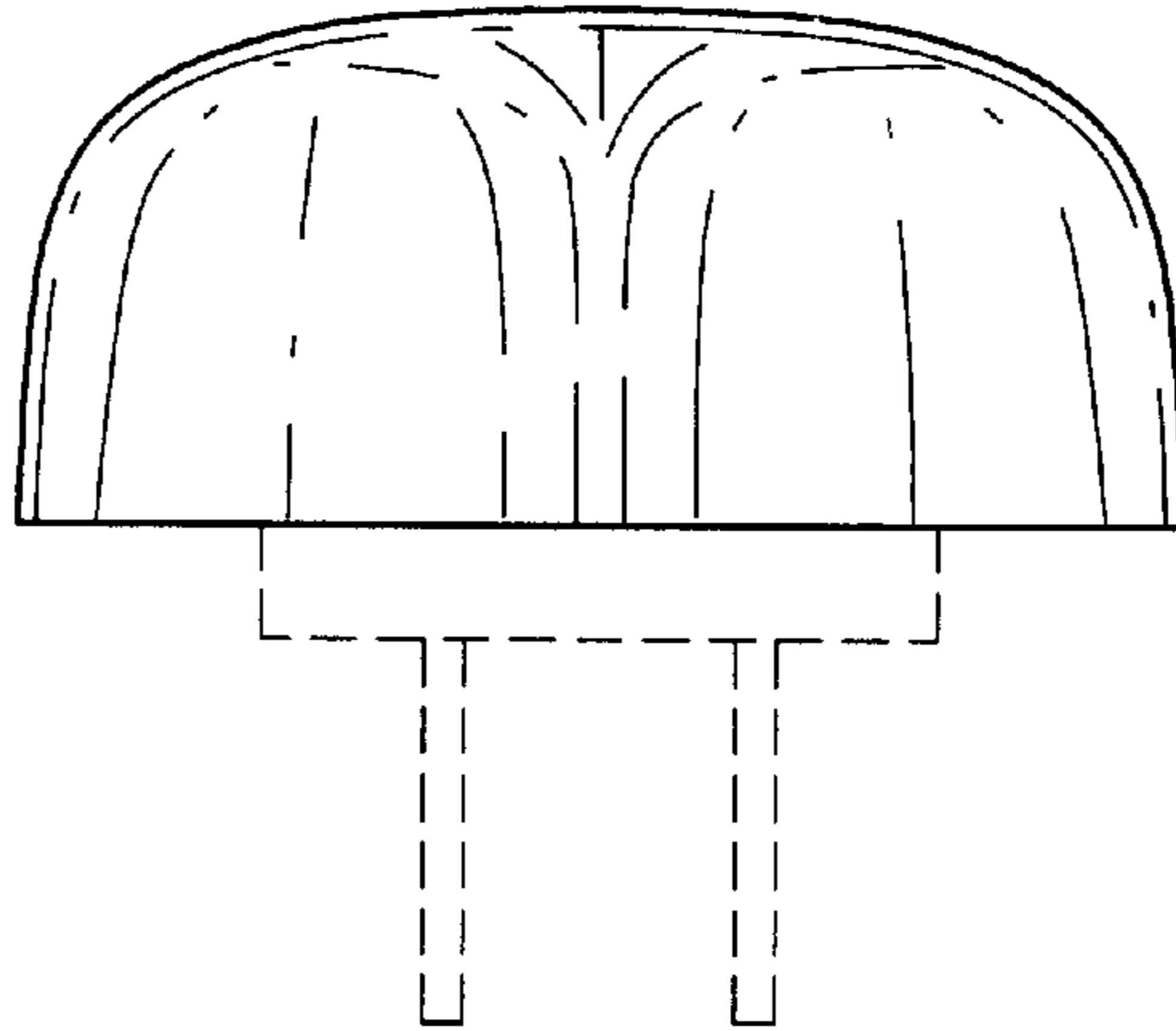


FIG. 5

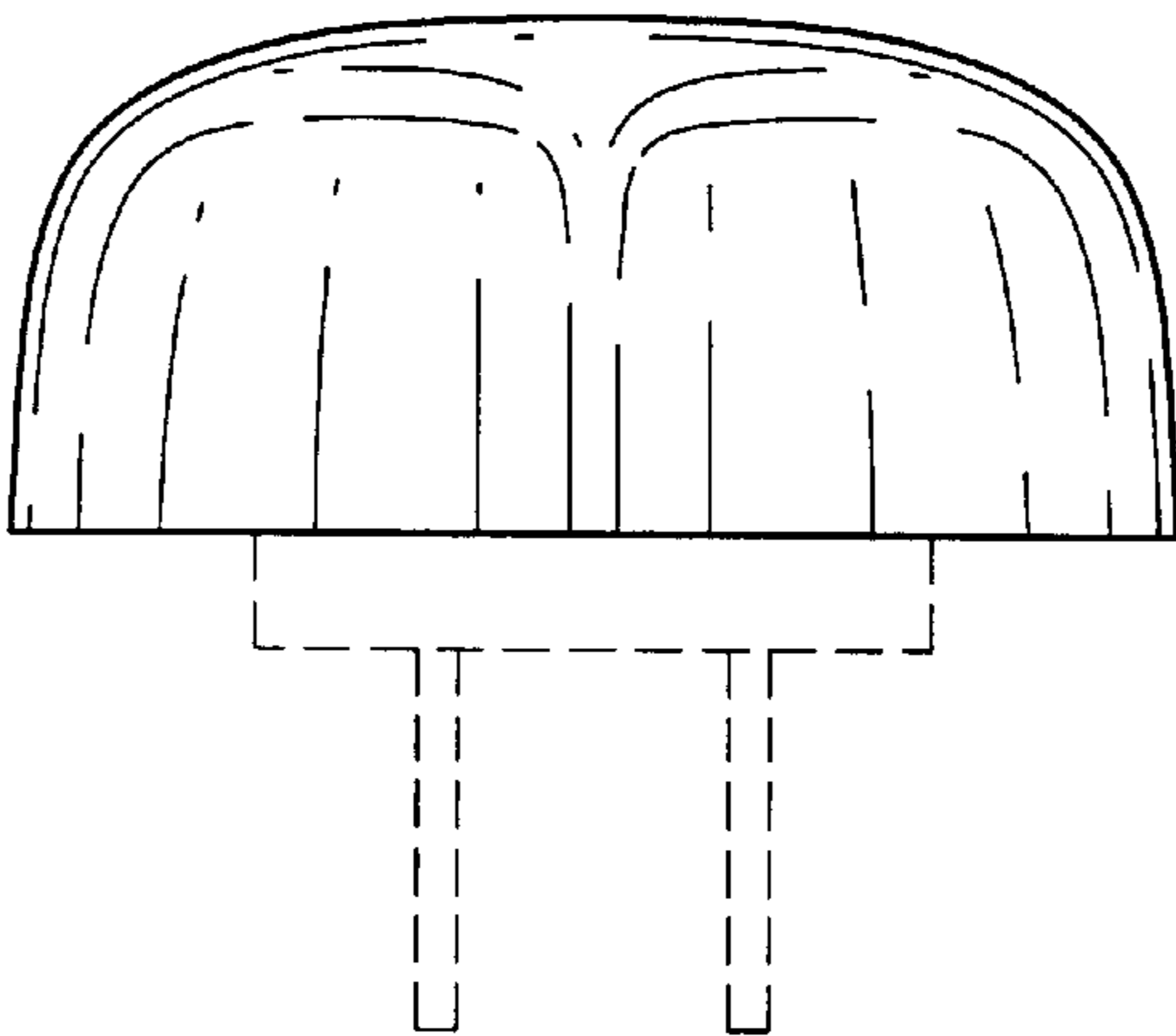


FIG. 6

