



US00D495060S1

(12) **United States Design Patent**
Hellström

(10) **Patent No.:** **US D495,060 S**

(45) **Date of Patent:** **** Aug. 24, 2004**

(54) **CHROMATOGRAPHY COLUMN ASSEMBLY
END CAP**

(75) **Inventor:** **Karl-Gunnar Hellström**, Uppsala (SE)

(73) **Assignee:** **Amersham Biosciences AB**, Uppsala (SE)

(**) **Term:** **14 Years**

(21) **Appl. No.:** **29/181,396**

(22) **Filed:** **May 9, 2003**

(51) **LOC (7) Cl.** **24-01**

(52) **U.S. Cl.** **D24/224; D9/435; D9/445; D9/452; D9/454**

(58) **Field of Search** **D24/224, 216, D24/232, 121, 127; D9/452, 435, 445, 439; D10/81; 210/198.2, 656; 96/101, 105; 422/102, 58; 215/316, 902, 329, 341, 261**

(56) **References Cited**

U.S. PATENT DOCUMENTS

4,171,057 A * 10/1979 Gach D24/224

D356,871 S * 3/1995 Dunn D9/452
D364,809 S * 12/1995 Thomas D9/439
D389,761 S * 1/1998 Thomas D9/439
6,387,256 B1 * 5/2002 Tuvim 210/198.2

* cited by examiner

Primary Examiner—Ian Simmons

(74) *Attorney, Agent, or Firm*—Royal N. Ronning, Jr.; Yonggang Ji; Stephen G. Ryan

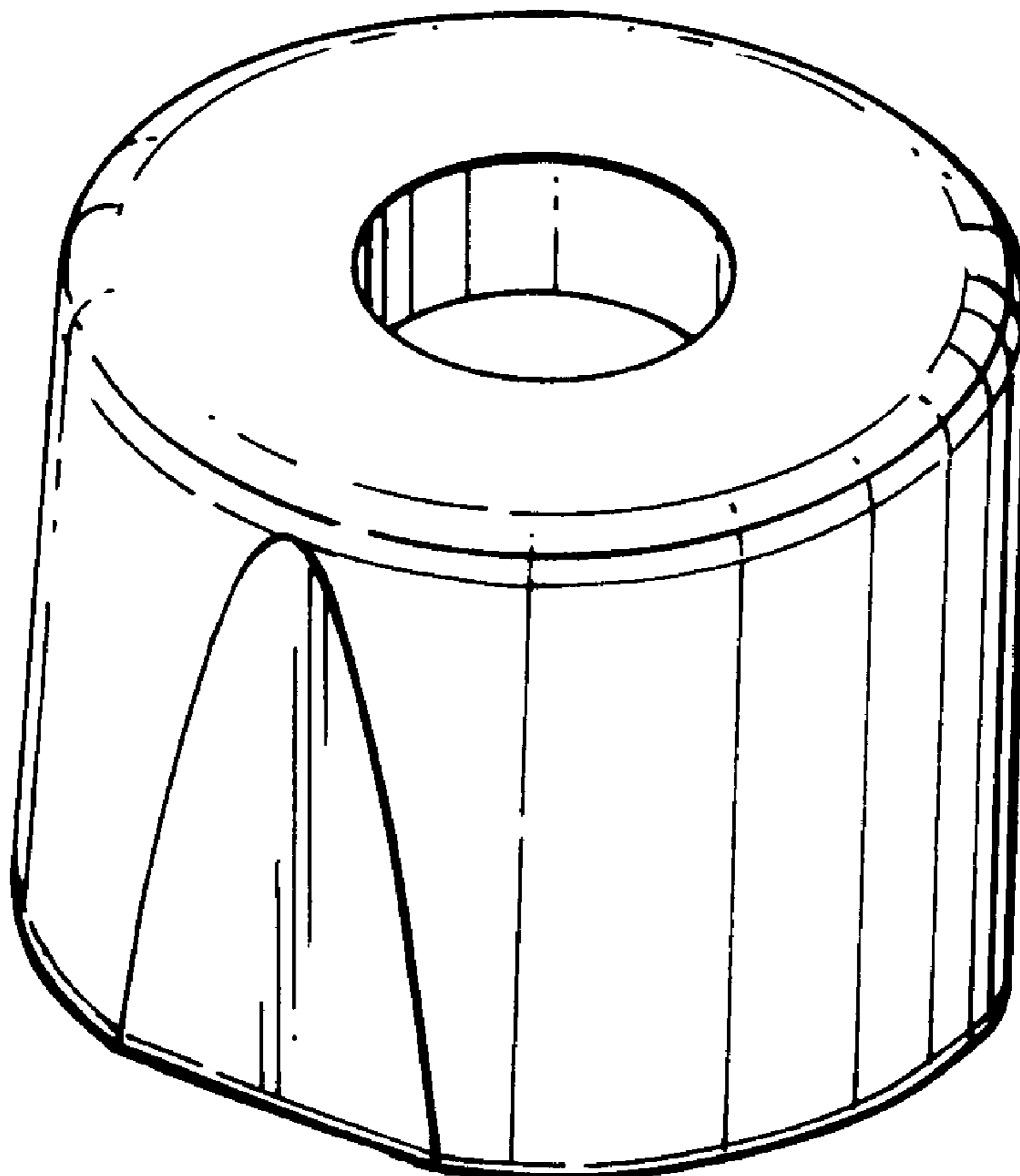
(57) **CLAIM**

The ornamental design for a chromatography column assembly end cap, as shown and described.

DESCRIPTION

FIG. 1 is a perspective view of the end cap;
FIG. 2 is a side view of end cap;
FIG. 3 is a side view of the end cap;
FIG. 4 is a side view of the end cap;
FIG. 5 is a side view of the end cap;
FIG. 6 is a face view of the end cap; and,
FIG. 7 is an opposite face view of the end cap.

1 Claim, 2 Drawing Sheets



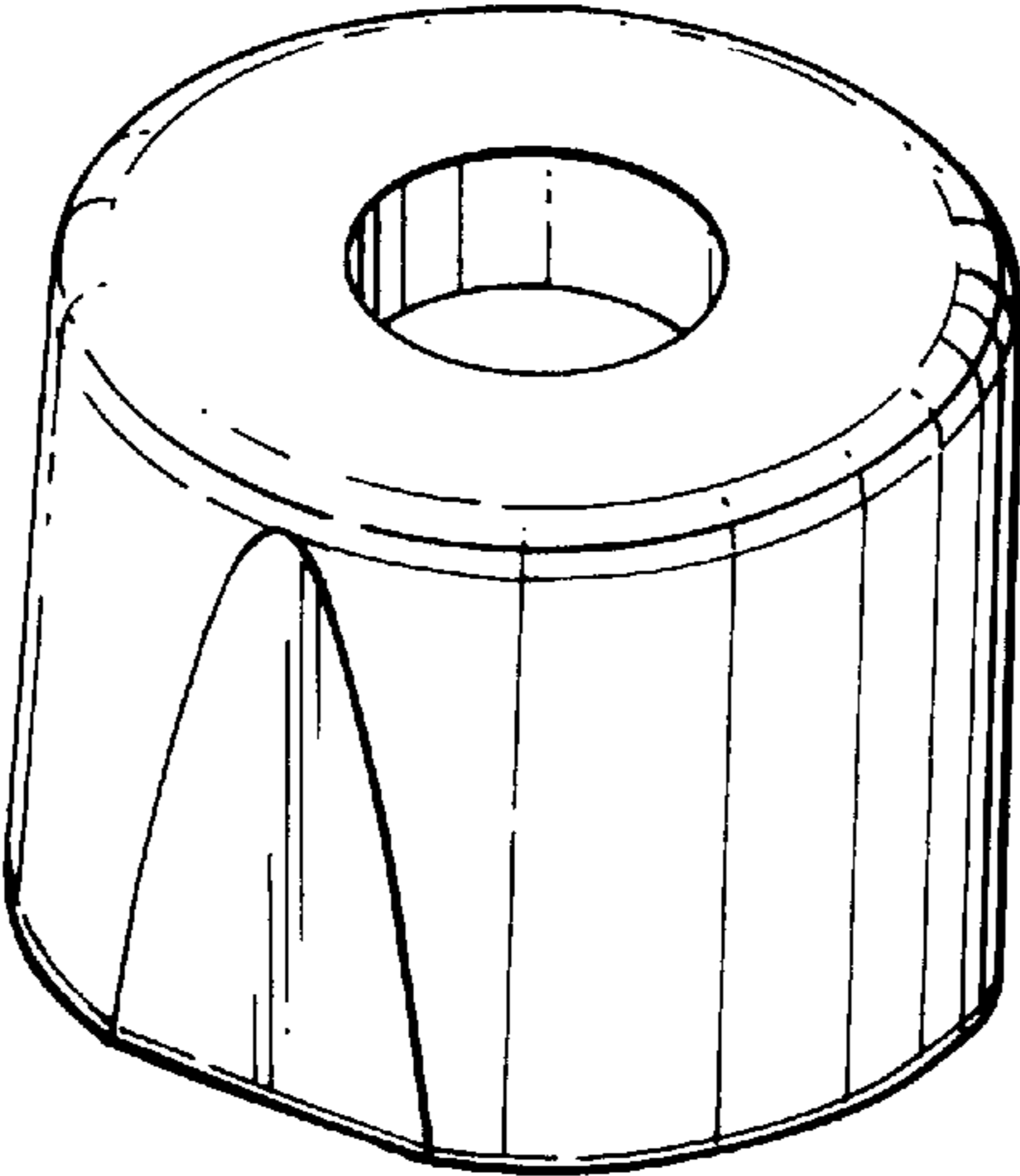


Fig.1.

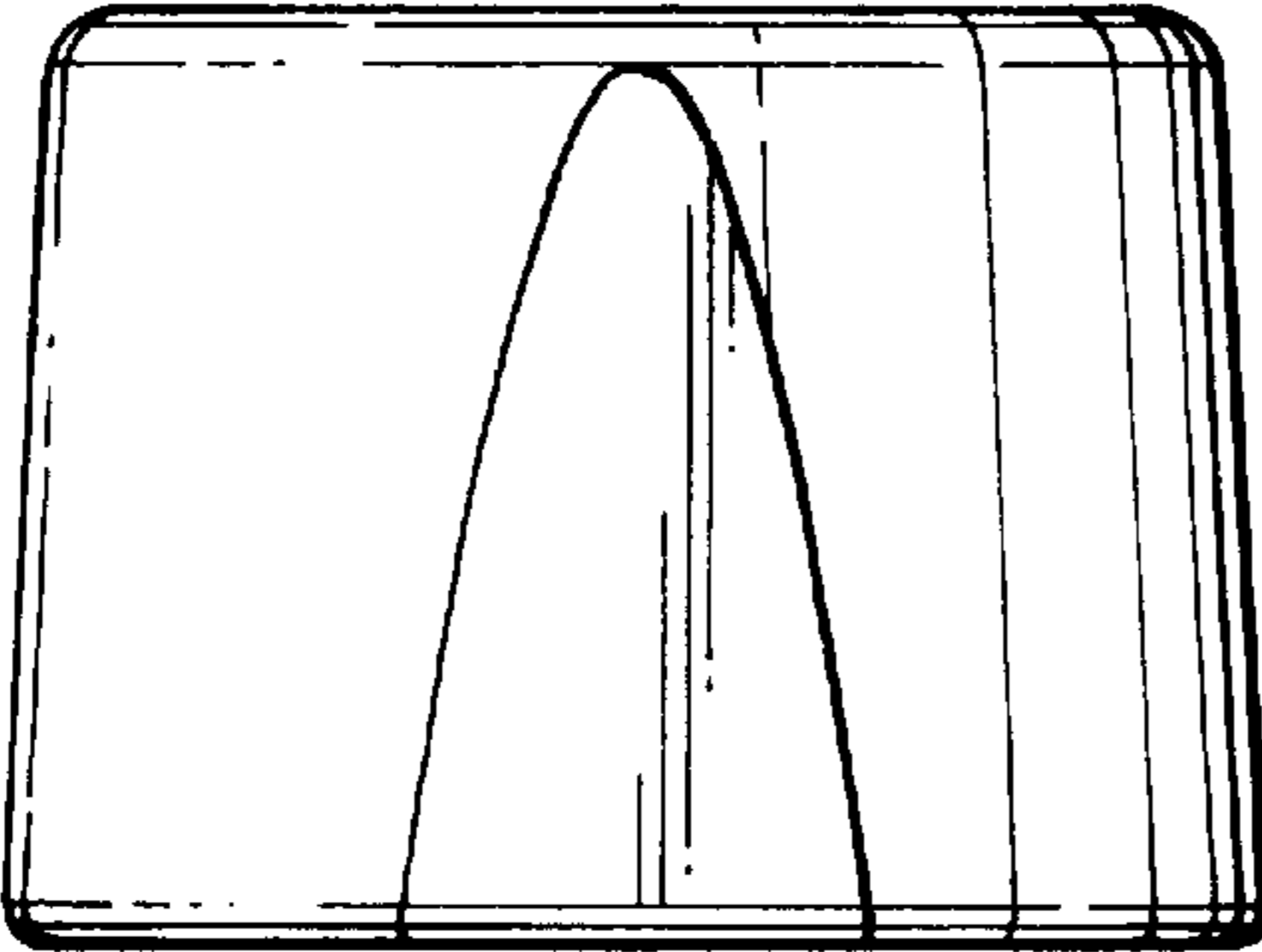


Fig.2.

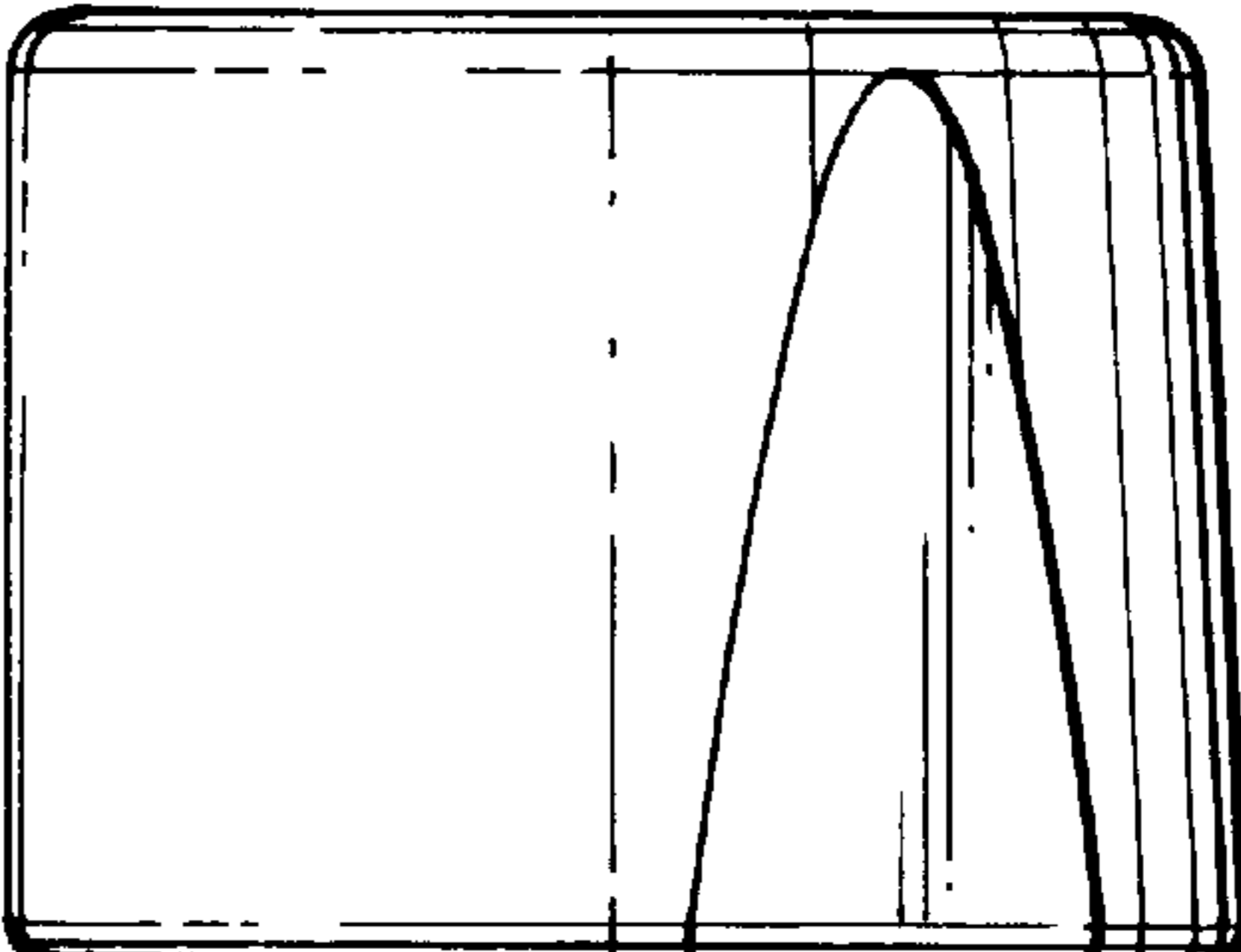


Fig.3.

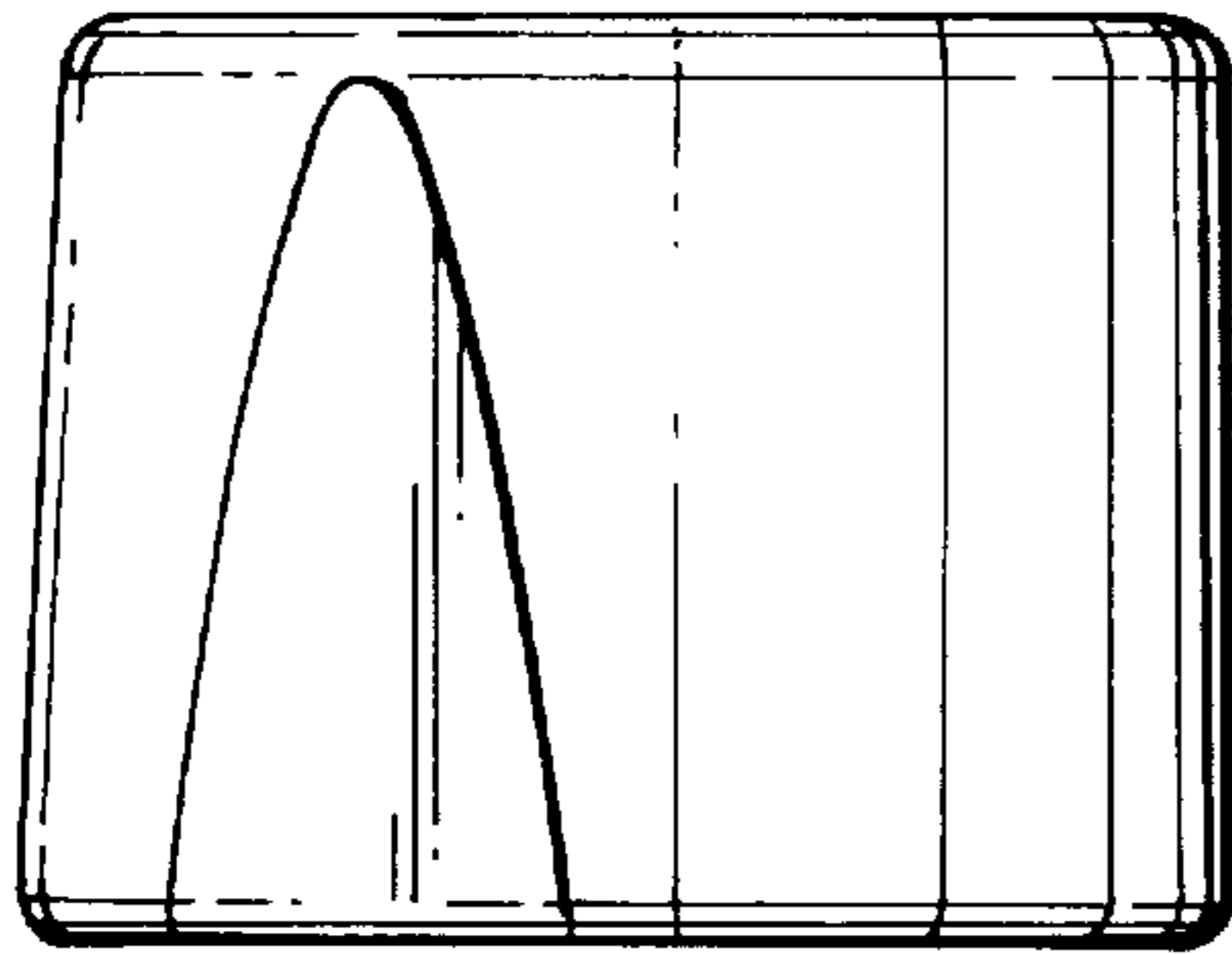


Fig.4.

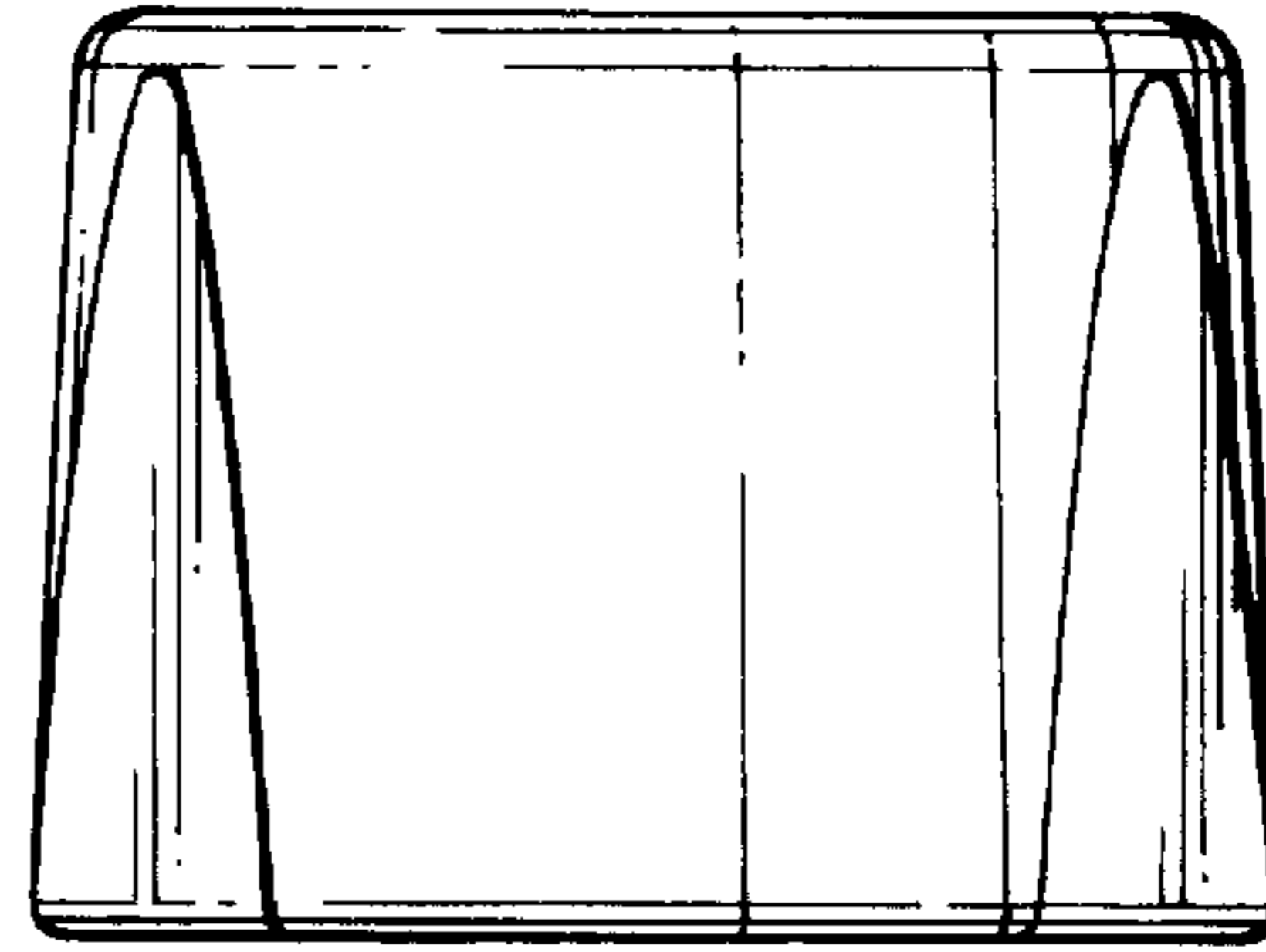


Fig.5.

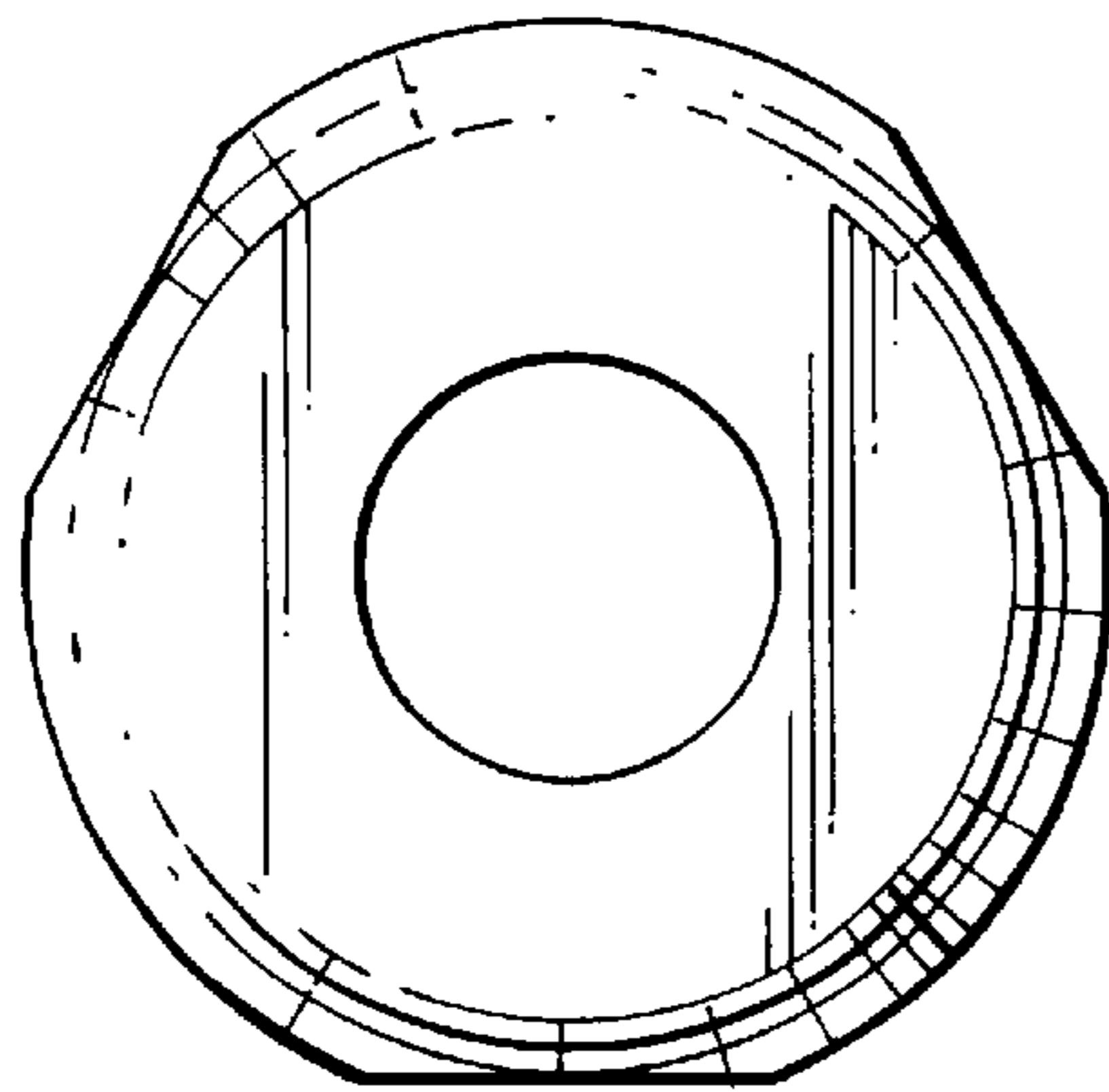


Fig.6.

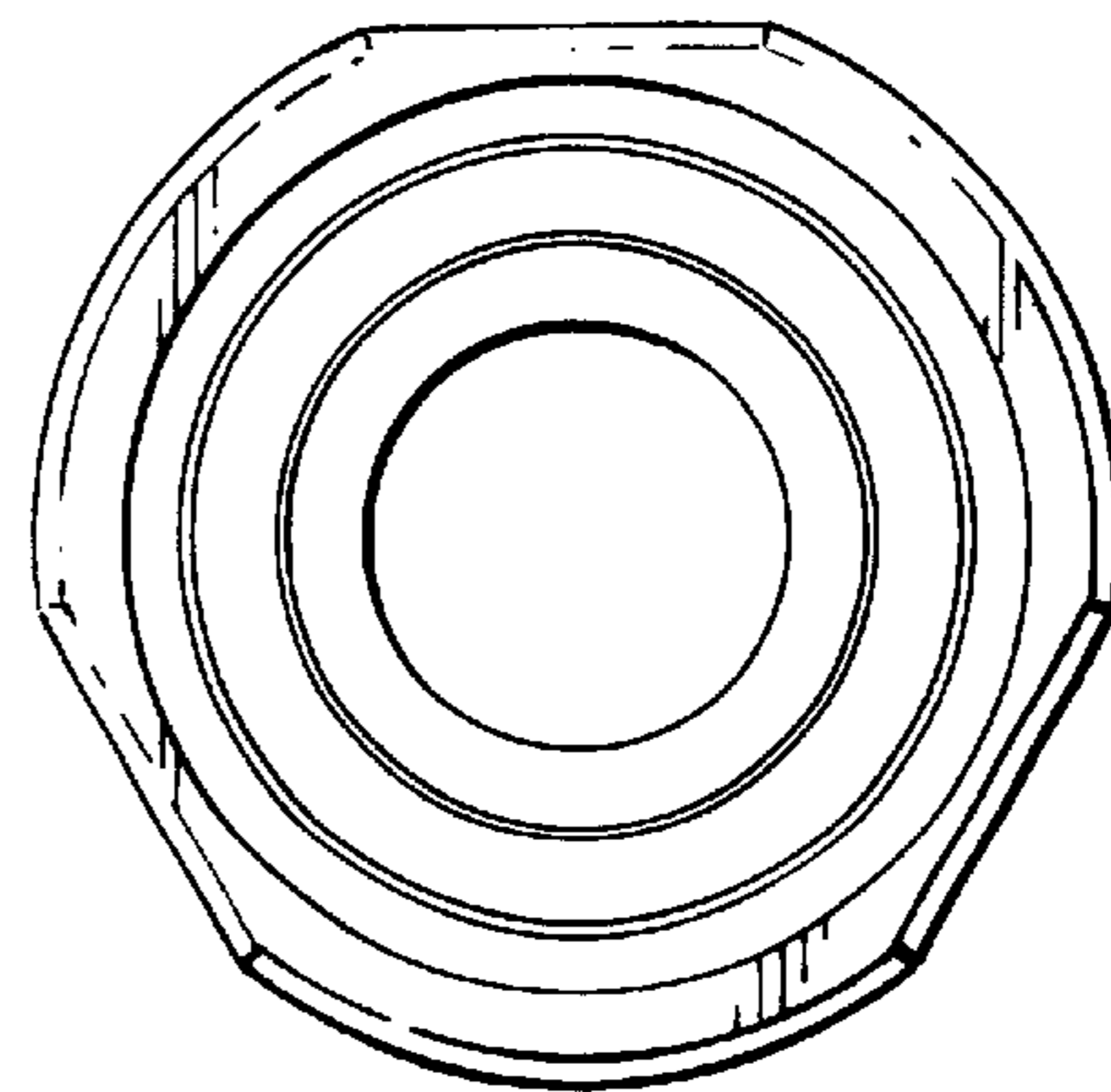


Fig.7.