

US00D495055S1

(12) **United States Design Patent**
Silber

(10) **Patent No.:** **US D495,055 S**

(45) **Date of Patent:** **** Aug. 24, 2004**

(54) **ELECTRODE FOR USE ON A LIVING SUBJECT**

(75) **Inventor:** **Daniel A. Silber**, Lexington, MA (US)

(73) **Assignee:** **Koninklijke Philips Electronics N.V.**, Eindhoven (NL)

(**) **Term:** **14 Years**

(21) **Appl. No.:** **29/189,715**

(22) **Filed:** **Sep. 10, 2003**

(51) **LOC (7) Cl.** **24-01**

(52) **U.S. Cl.** **D24/187**

(58) **Field of Search** D24/187; 600/382, 600/383, 384, 391, 392, 393, 372; 607/148, 149, 152, 153

(56) **References Cited**

U.S. PATENT DOCUMENTS

5,402,780 A * 4/1995 Faasse, Jr. 600/392
D429,337 S * 8/2000 Sanfilippo D24/187

6,141,575 A * 10/2000 Price 600/372
D456,907 S * 5/2002 Sanfilippo D24/187
D471,281 S * 3/2003 Baura et al. D24/187
D478,668 S * 8/2003 Epstein D24/187

* cited by examiner

Primary Examiner—Stella Reid

(74) *Attorney, Agent, or Firm*—Ernestine C. Bartlett

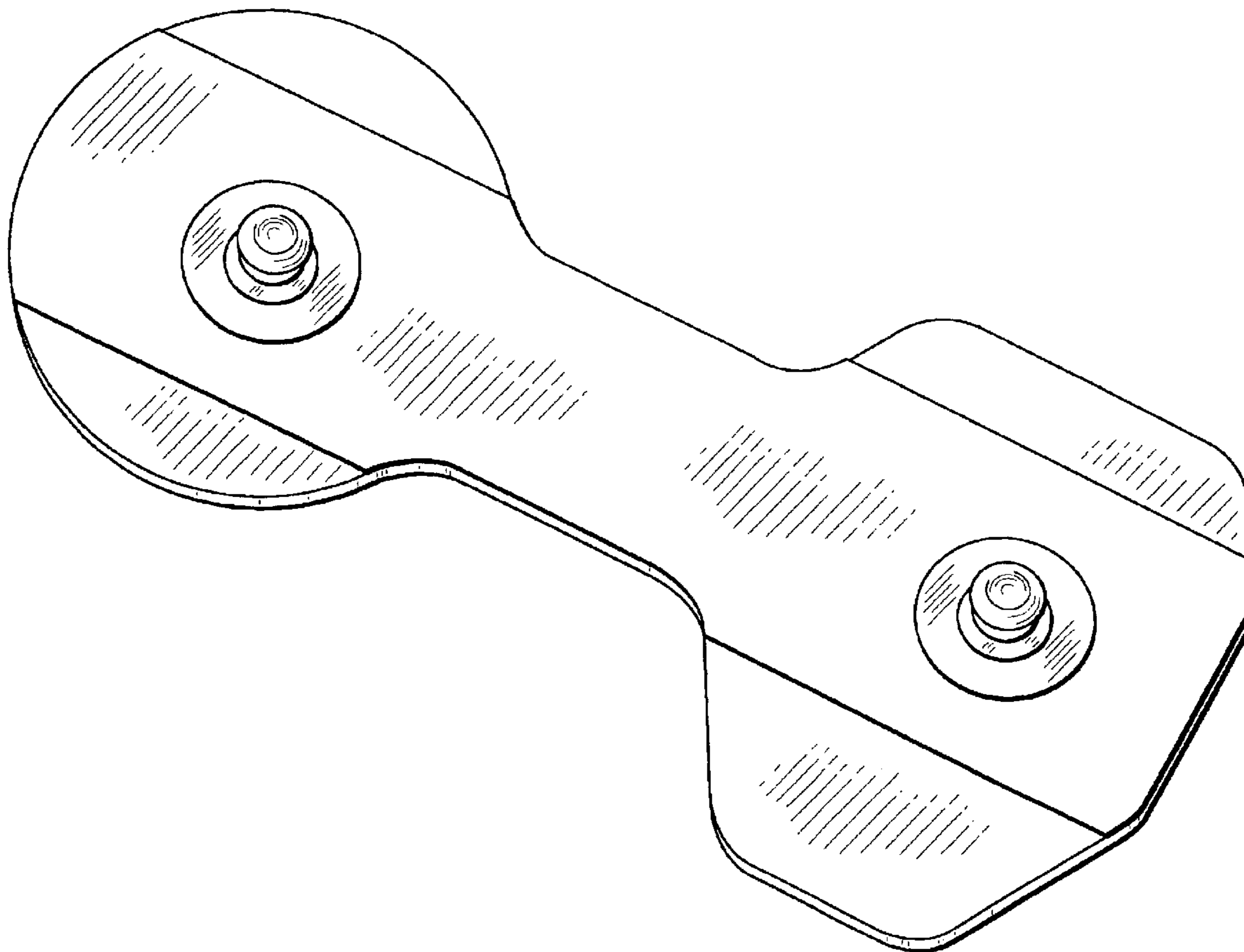
(57) **CLAIM**

The ornamental design for an electrode for use on a living subject, as shown.

DESCRIPTION

FIG. 1 is a perspective view of an electrode for use on a living subject, showing my new design;
FIG. 2 is a front view thereof;
FIG. 3 is a rear view thereof;
FIG. 4 is a left side view thereof;
FIG. 5 is a right side view thereof;
FIG. 6 is a top view thereof; and,
FIG. 7 is a bottom view thereof.

1 Claim, 6 Drawing Sheets



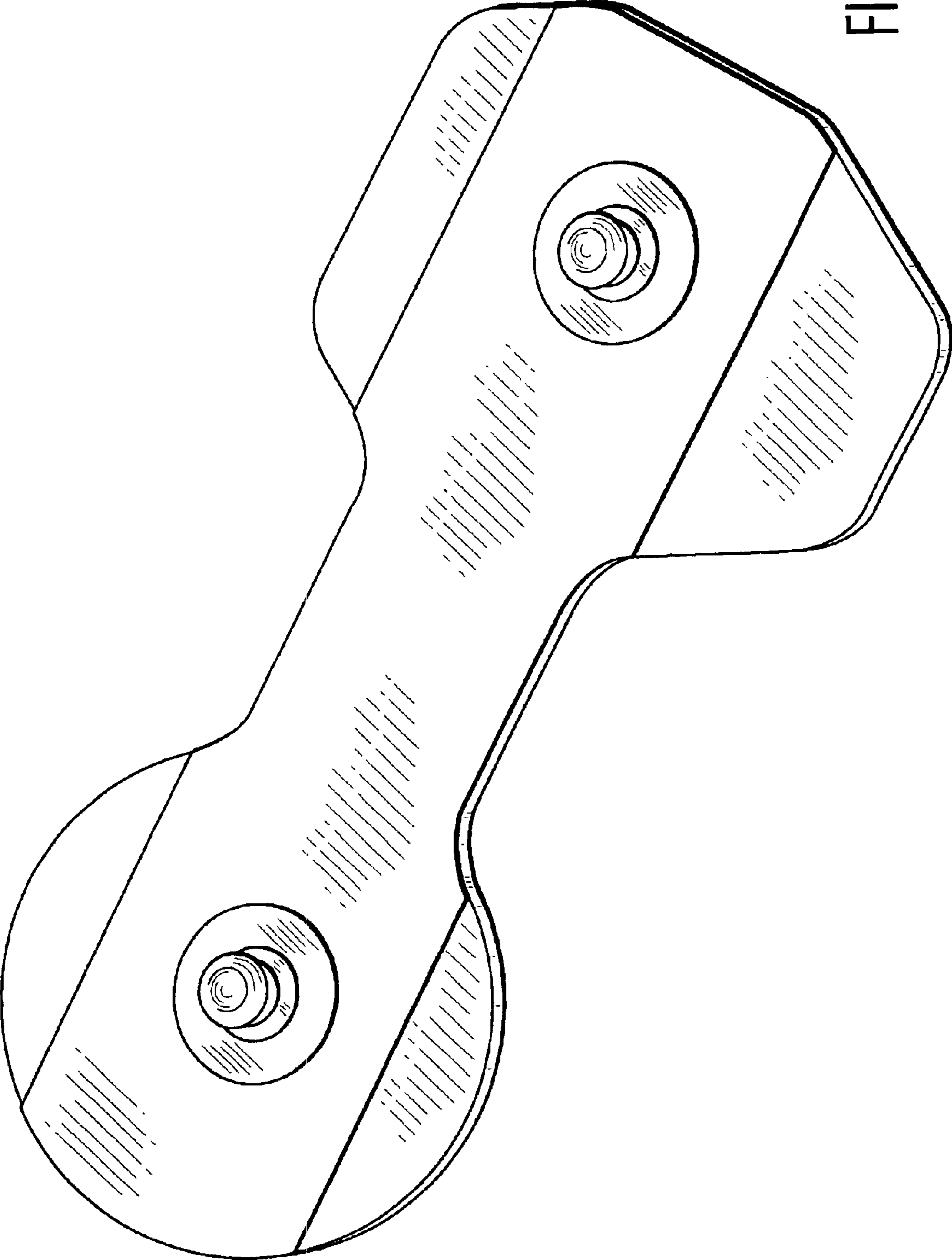


FIG. 1

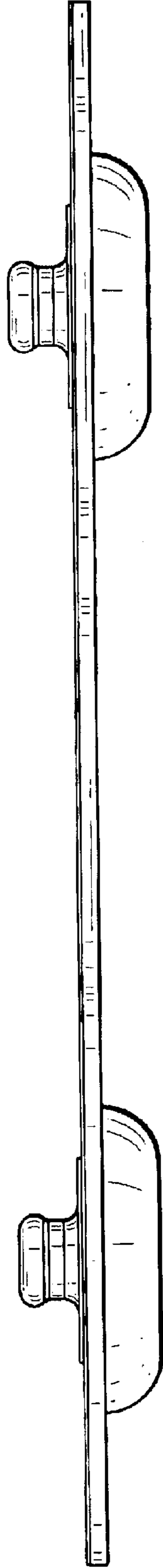


FIG. 2

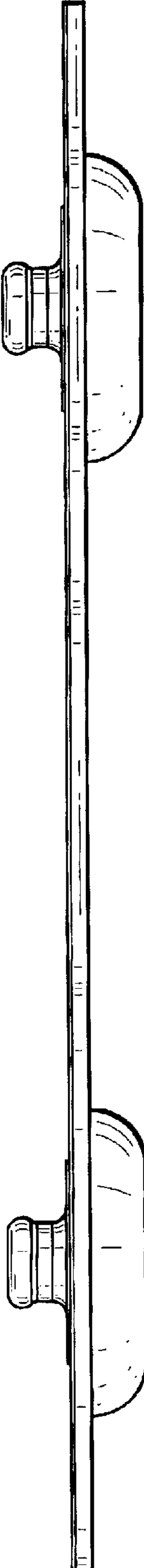


FIG. 3

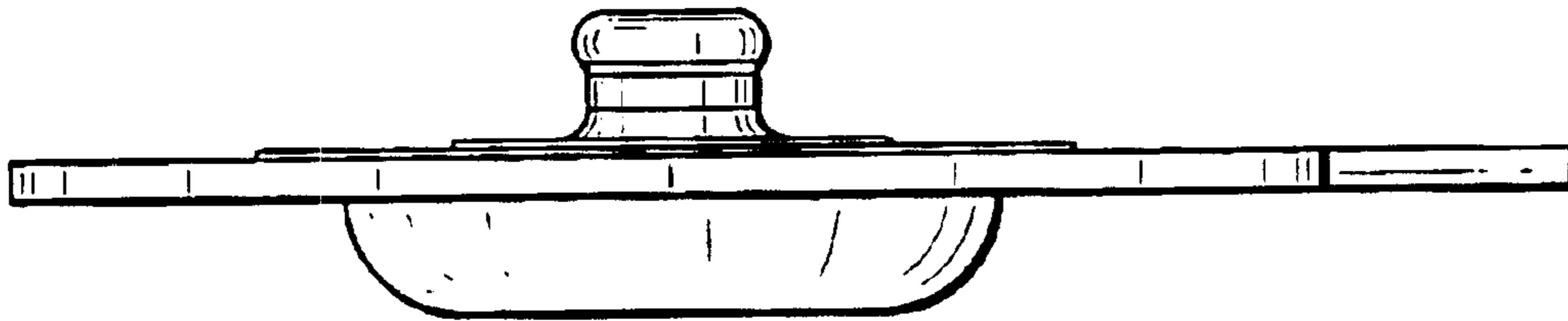


FIG. 4

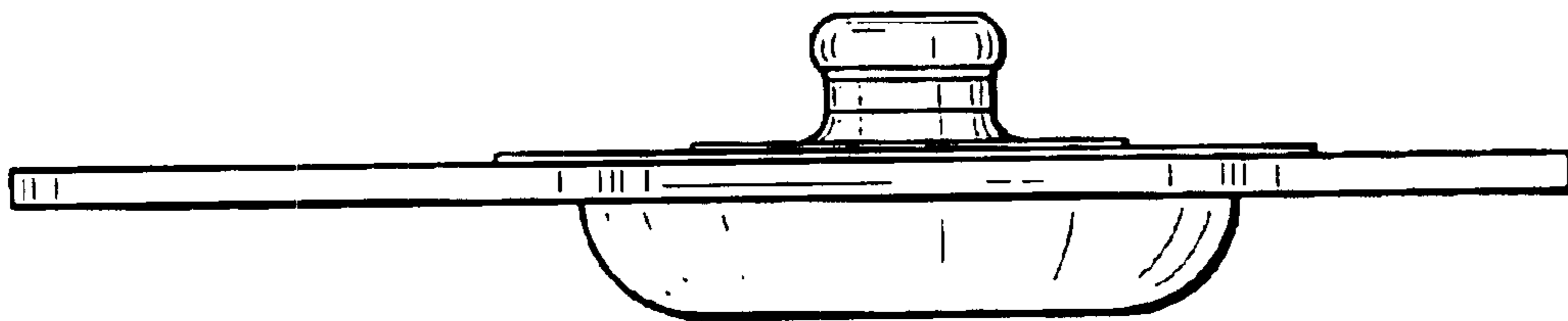


FIG. 5

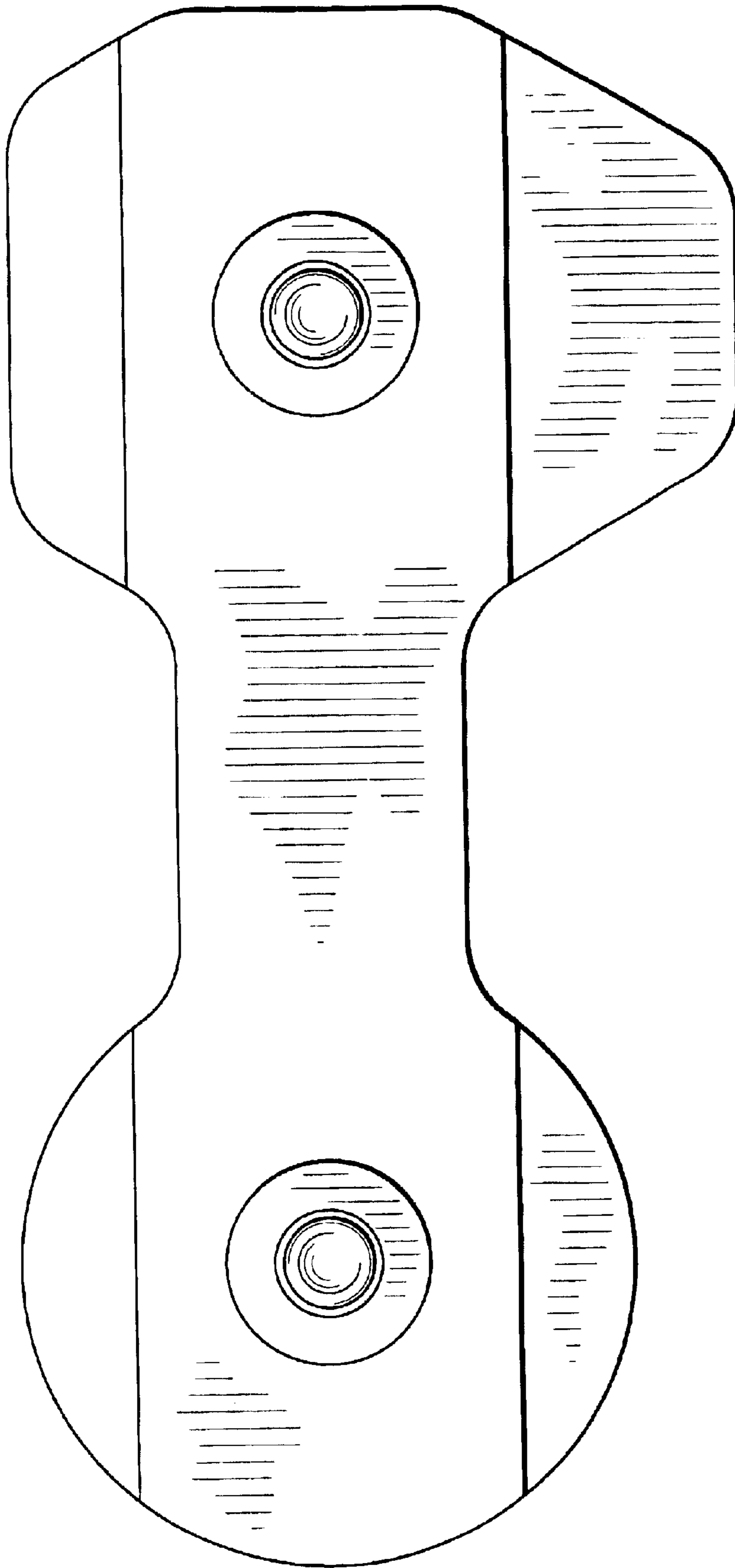


FIG. 6

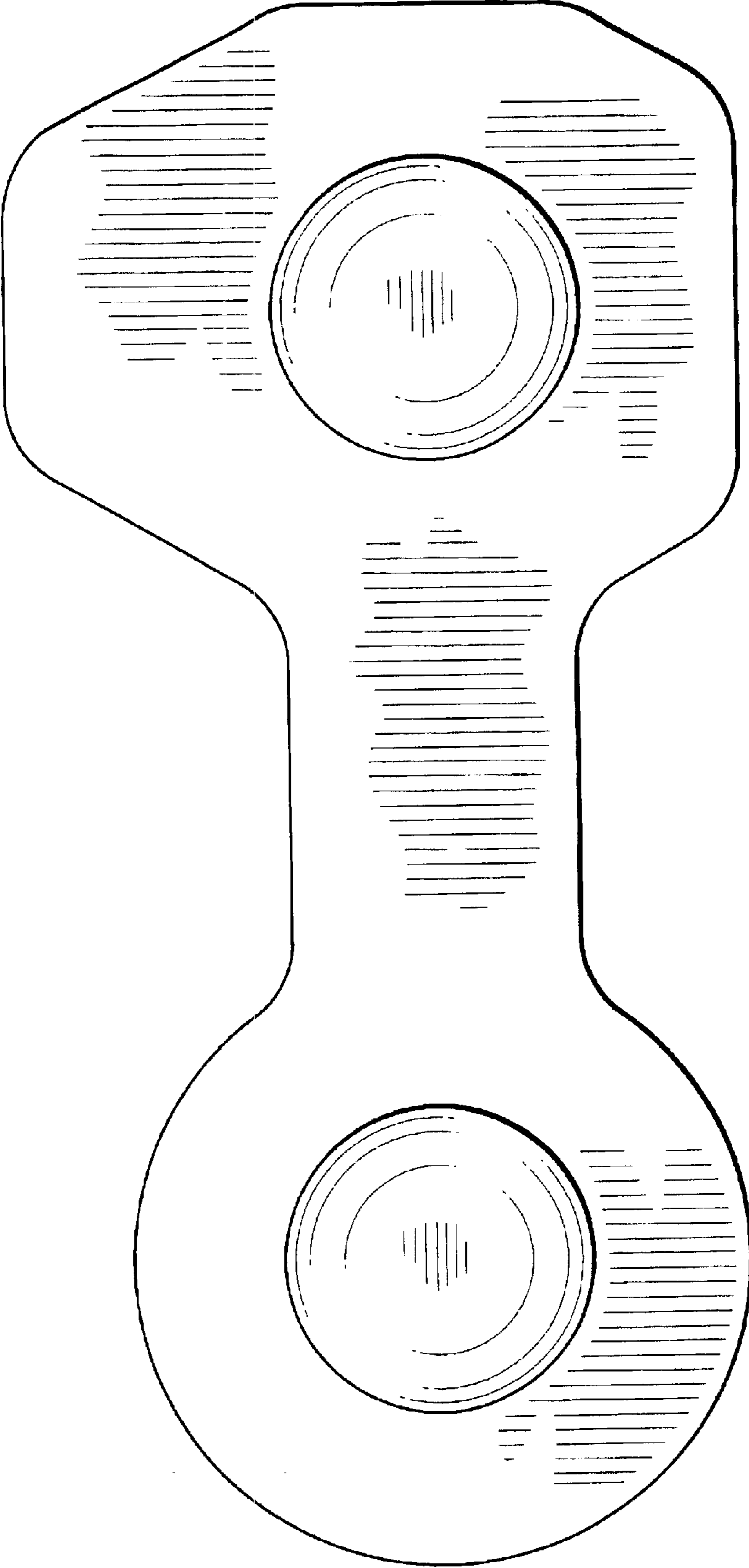


FIG. 7