

US00D495052S1

(12) **United States Design Patent** (10) **Patent No.:** **US D495,052 S**
Reschke (45) **Date of Patent:** **** Aug. 24, 2004**

(54) **ELECTROSURGICAL PENCIL WITH PROTECTED SWITCH AND STRAIGHT PROXIMAL END**

(75) Inventor: **Arlan James Reschke**, Boulder, CO (US)

(73) Assignee: **Sherwood Services AG**, Schaffhausen (CH)

(**) Term: **14 Years**

(21) Appl. No.: **29/175,418**

(22) Filed: **Feb. 4, 2003**

(51) **LOC (7) Cl.** **24-02**

(52) **U.S. Cl.** **D24/144; D24/133**

(58) **Field of Search** D24/144, 147, D24/133; D8/82, 83, 107, 85, 43; 606/190, 40, 41, 45, 1, 42

5,269,781 A	12/1993	Hewell, III	
5,306,238 A	4/1994	Fleenor	
5,318,565 A	6/1994	Kuriloff et al.	
5,376,089 A	12/1994	Smith	
5,395,363 A	3/1995	Billings et al.	
5,409,484 A	4/1995	Erlich et al.	
5,413,575 A	5/1995	Haenggi	
5,431,650 A	7/1995	Cosmescu	
5,451,222 A	9/1995	De Maagd, et al.	
5,460,602 A	10/1995	Shapira	
5,484,434 A *	1/1996	Cartmell et al.	606/42
5,725,479 A *	3/1998	Knight et al.	606/190
5,893,862 A	4/1999	Pratt et al.	
6,099,525 A	8/2000	Cosmescu	
6,142,995 A	11/2000	Cosmescu	
6,146,353 A	11/2000	Platt, Jr.	

FOREIGN PATENT DOCUMENTS

FR	2 235 669	1/1975
WO	wo 94/20032	9/1994

* cited by examiner

Primary Examiner—Ian Simmons

(56) **References Cited**

U.S. PATENT DOCUMENTS

D193,496 S *	8/1962	Jacoff	D8/83
3,825,004 A	7/1974	Durden, III	
3,828,780 A	8/1974	Morrison, Jr.	
3,906,955 A	9/1975	Roberts	
3,974,833 A	8/1976	Durden, III	
4,032,738 A	6/1977	Esty et al.	
D253,247 S *	10/1979	Gill	D24/144
4,427,006 A	1/1984	Nottke	
4,459,443 A	7/1984	Lewandowski	
4,562,838 A	1/1986	Walker	
4,625,723 A	12/1986	Altenther et al.	
D301,739 S *	6/1989	Turner et al.	D24/144
4,911,159 A	3/1990	Johnson et al.	
5,055,100 A	10/1991	Olsen	
5,071,418 A	12/1991	Rosenbaum	
5,098,430 A	3/1992	Fleenor	
5,192,267 A	3/1993	Shapira et al.	
5,195,959 A	3/1993	Smith	
5,234,428 A	8/1993	Kaufman	
5,242,442 A	9/1993	Hirschfeld	

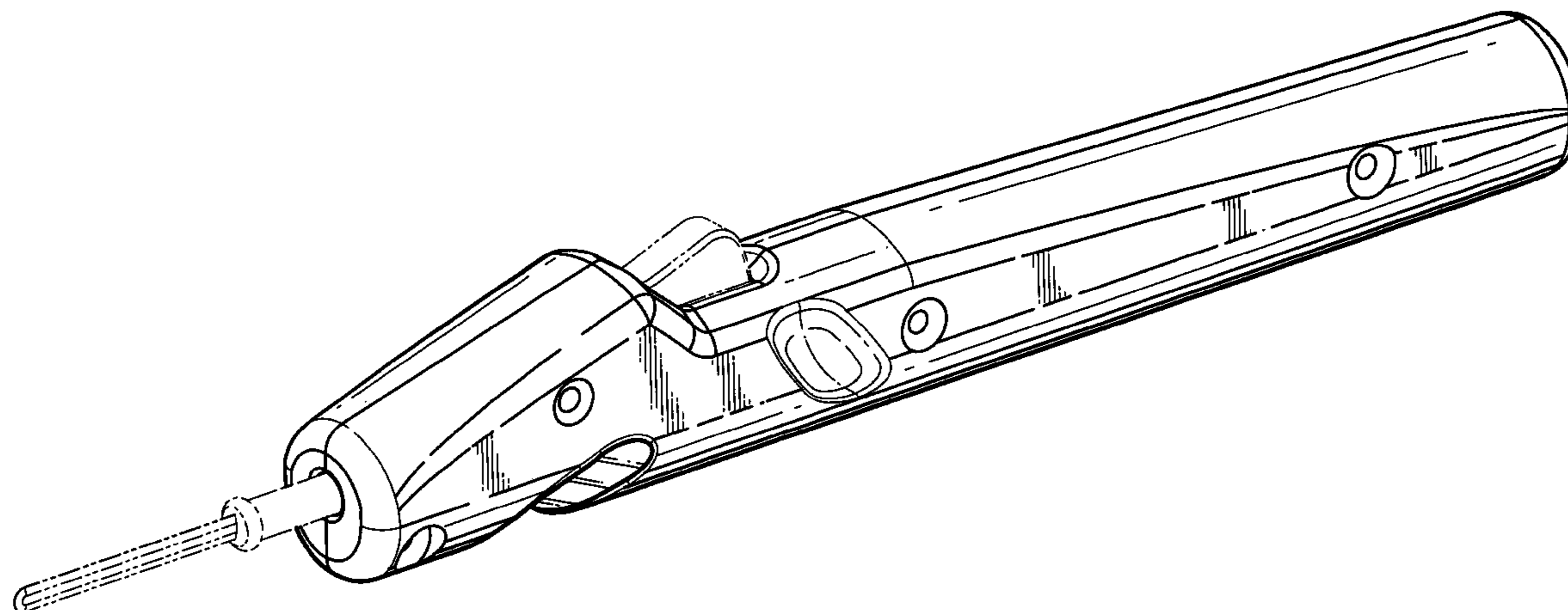
(57) **CLAIM**

The ornamental design for an electrosurgical pencil with protected switch and straight proximal end, as shown and described.

DESCRIPTION

FIG. 1 is a perspective view of the electrosurgical pencil with protected switch and straight proximal end;
 FIG. 2 is a top view thereof;
 FIG. 3 is a bottom view thereof;
 FIG. 4 is a left side view thereof;
 FIG. 5 is a front view thereof;
 FIG. 6 is a right side view thereof; and,
 FIG. 7 is a rear view thereof.
 The broken lines shown in FIGS. 1-7 are for illustrative purposes only and form no part of the claimed design.

1 Claim, 4 Drawing Sheets



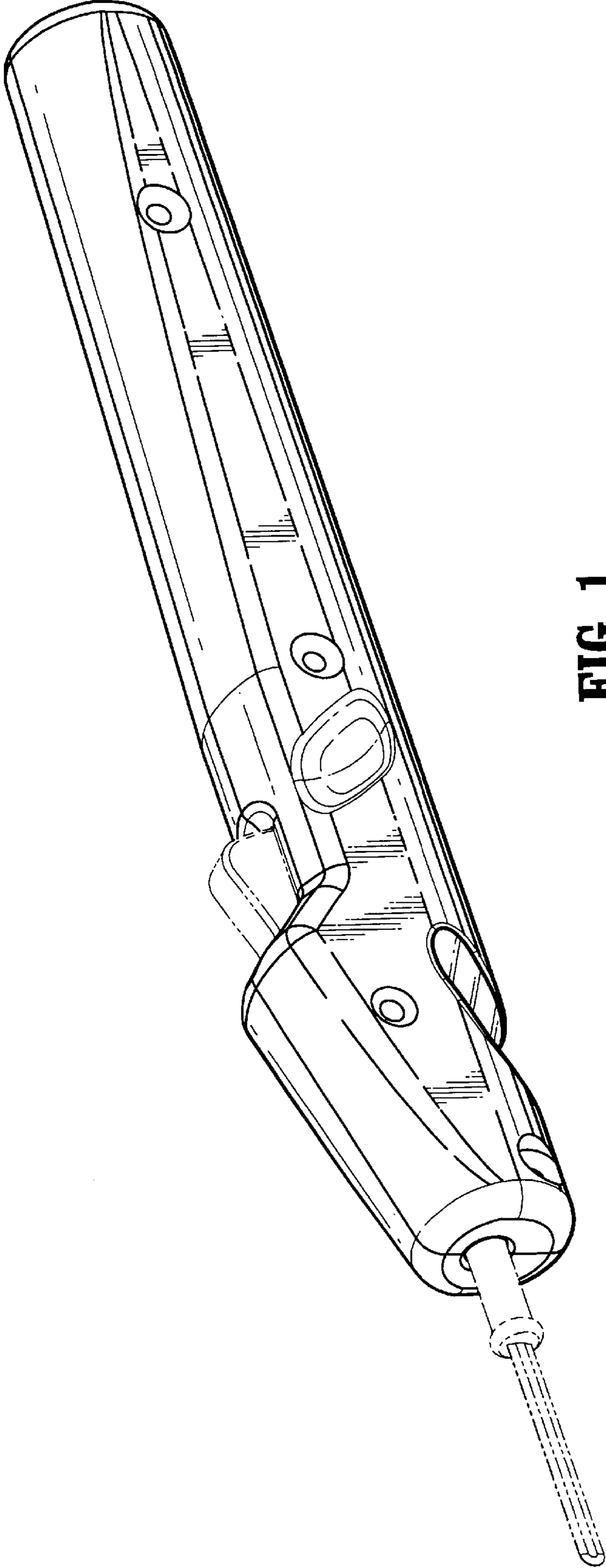


FIG. 1

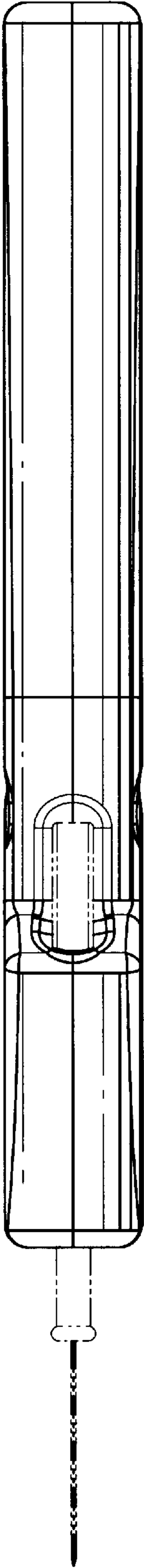


FIG. 2

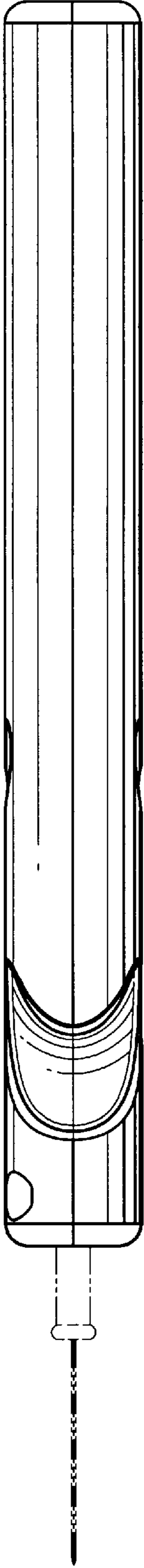


FIG. 3

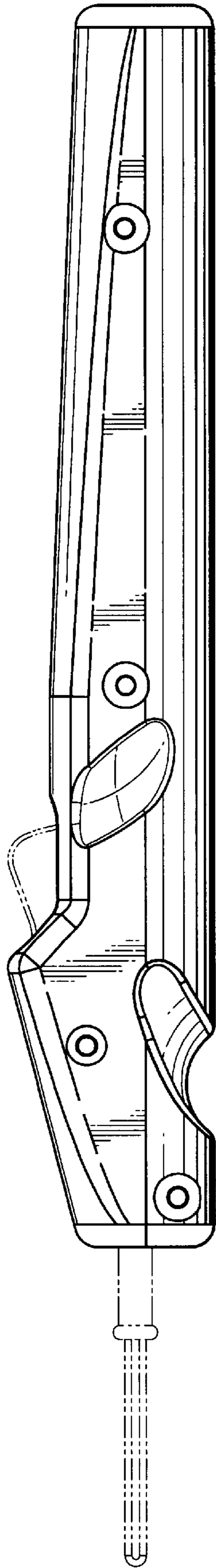


FIG. 4

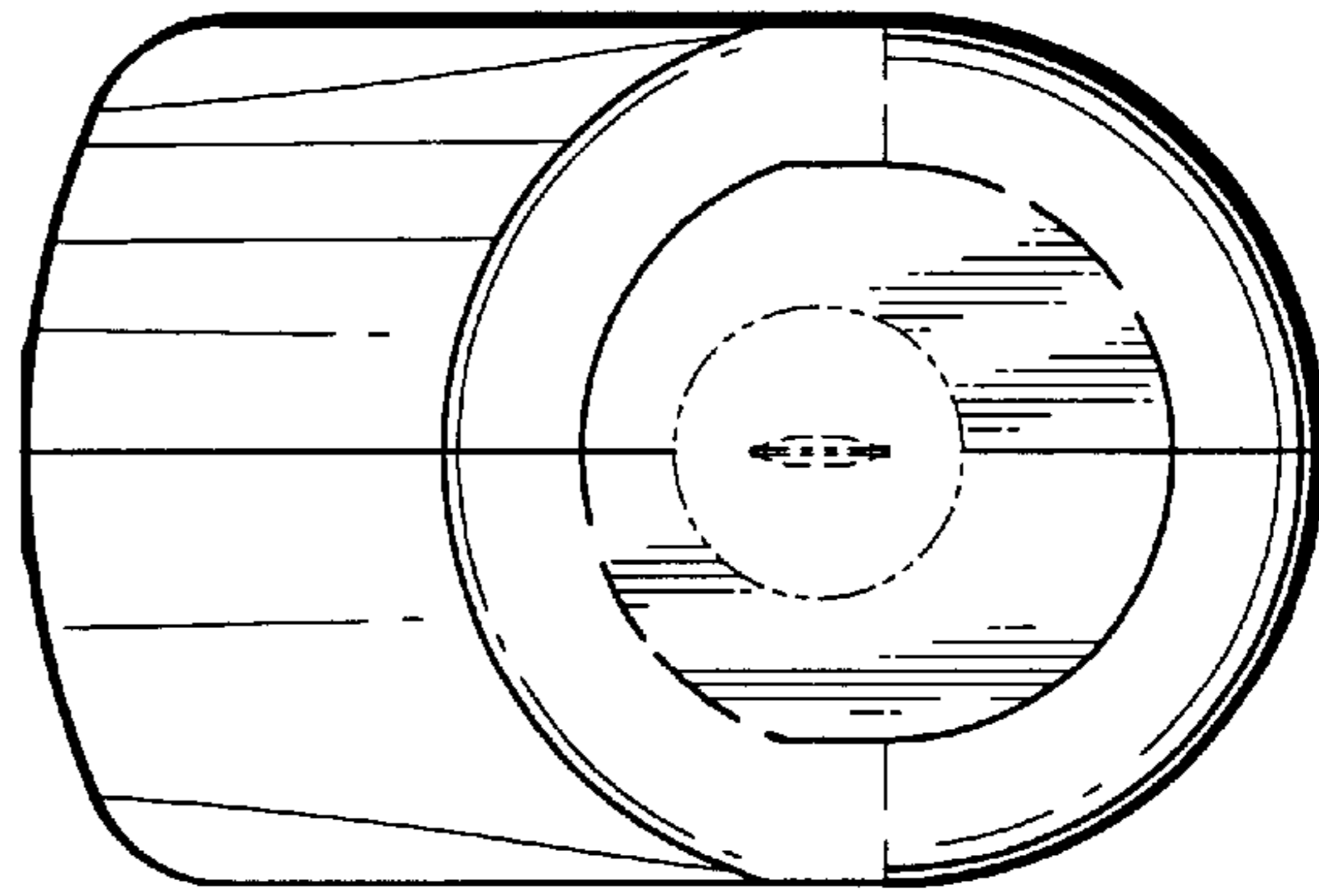


FIG. 5

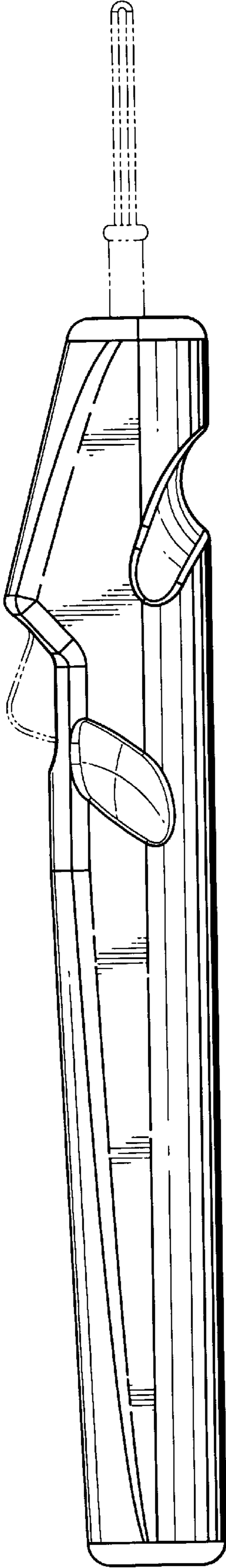


FIG. 6

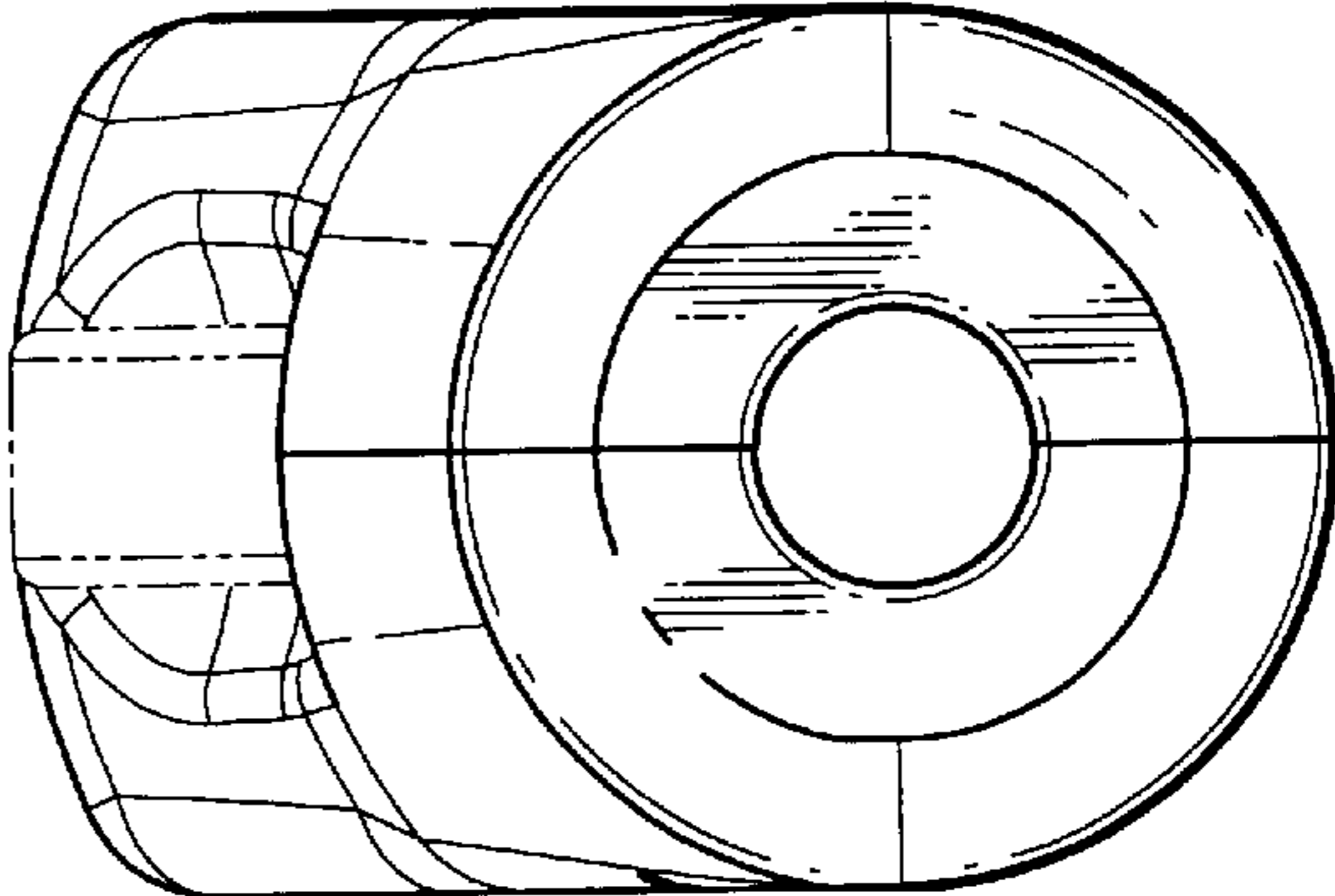


FIG. 7