

US00D495051S1

(12) **United States Design Patent** (10) **Patent No.:** **US D495,051 S**
Reschke (45) **Date of Patent:** **** Aug. 24, 2004**

(54) **ELECTROSURGICAL PENCIL WITH NOTCHED AND SCALLOPED HANDLE**

(75) Inventor: **Arlan James Reschke**, Boulder, CO (US)

(73) Assignee: **Sherwood Services AG**, Schaffhausen (CH)

(**) Term: **14 Years**

(21) Appl. No.: **29/175,414**

(22) Filed: **Feb. 4, 2003**

(51) **LOC (7) Cl.** **24-02**

(52) **U.S. Cl.** **D24/144; D24/133**

(58) **Field of Search** **D24/144, 147, D24/133; D8/82, 107, 83, 85, 43; 606/190, 1, 40, 42, 45, 41**

5,306,238 A 4/1994 Fleenor
5,318,565 A 6/1994 Kuriloff et al.
5,376,089 A 12/1994 Smith
5,395,363 A 3/1995 Billings et al.
5,409,484 A 4/1995 Erlich et al.
5,413,575 A 5/1995 Haenggi
5,431,650 A 7/1995 Cosmescu
5,451,222 A 9/1995 De Maagd et al.
5,460,602 A 10/1995 Shapira
5,484,434 A * 1/1996 Cartmell et al. 608/42
D393,067 S * 3/1998 Geary et al. D24/144
D402,031 S * 12/1998 Roberts et al. D24/144
5,893,862 A 4/1999 Pratt et al.
6,099,525 A 8/2000 Cosmescu
6,142,995 A 11/2000 Cosmescu
6,146,353 A 11/2000 Platt, Jr.

FOREIGN PATENT DOCUMENTS

FR 2 235 669 1/1975
WO WO 94/20032 9/1994

* cited by examiner

Primary Examiner—Ian Simmons

(56) **References Cited**
U.S. PATENT DOCUMENTS

D193,496 S * 8/1962 Jacoff D8/83
3,825,004 A 7/1974 Durden, III
3,828,780 A 8/1974 Morrison, Jr.
3,906,955 A 9/1975 Roberts
3,974,833 A 8/1976 Durden, III
4,032,738 A 6/1977 Esty et al.
4,427,006 A 1/1984 Nottke
4,459,443 A 7/1984 Lewandowski
4,562,838 A 1/1986 Walker
4,625,723 A 12/1986 Altnether et al.
D301,739 S * 6/1989 Turner et al. D24/144
4,911,159 A 3/1990 Johnson et al.
5,055,100 A 10/1991 Olsen
5,071,418 A 12/1991 Rosenbaum
5,098,430 A 3/1992 Fleenor
5,192,267 A 3/1993 Shapira et al.
5,195,959 A 3/1993 Smith
5,234,428 A 8/1993 Kaufman
5,242,442 A 9/1993 Hirschfeld
5,269,781 A 12/1993 Hewell, III

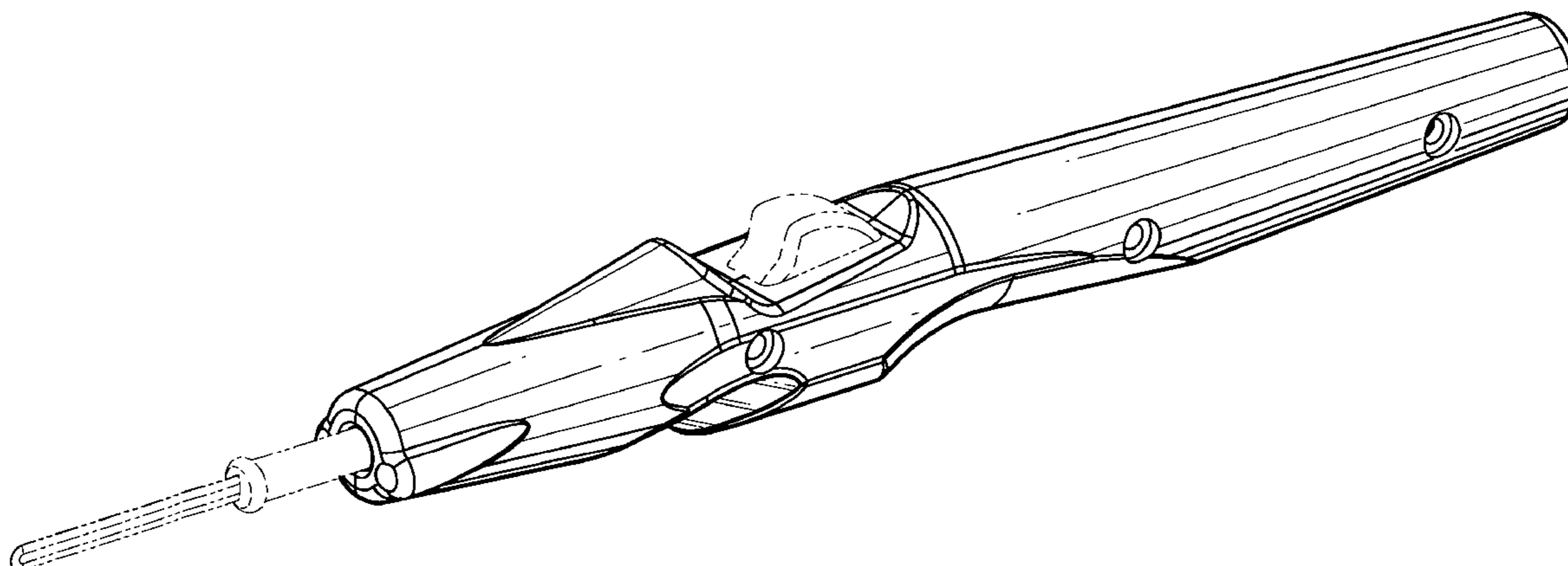
(57) **CLAIM**

The ornamental design for an electrosurgical pencil with notched and scalloped handle.

DESCRIPTION

FIG. 1 is a perspective view of the electrosurgical pencil with notched and scalloped handle;
FIG. 2 is a top view thereof;
FIG. 3 is a bottom view thereof;
FIG. 4 is a left side view thereof;
FIG. 5 is a front view thereof;
FIG. 6 is a right side view thereof; and,
FIG. 7 is a rear view thereof.
The broken lines shown in FIGS. 1-7 are for illustrative purposes only and form no part of the claimed design.

1 Claim, 4 Drawing Sheets



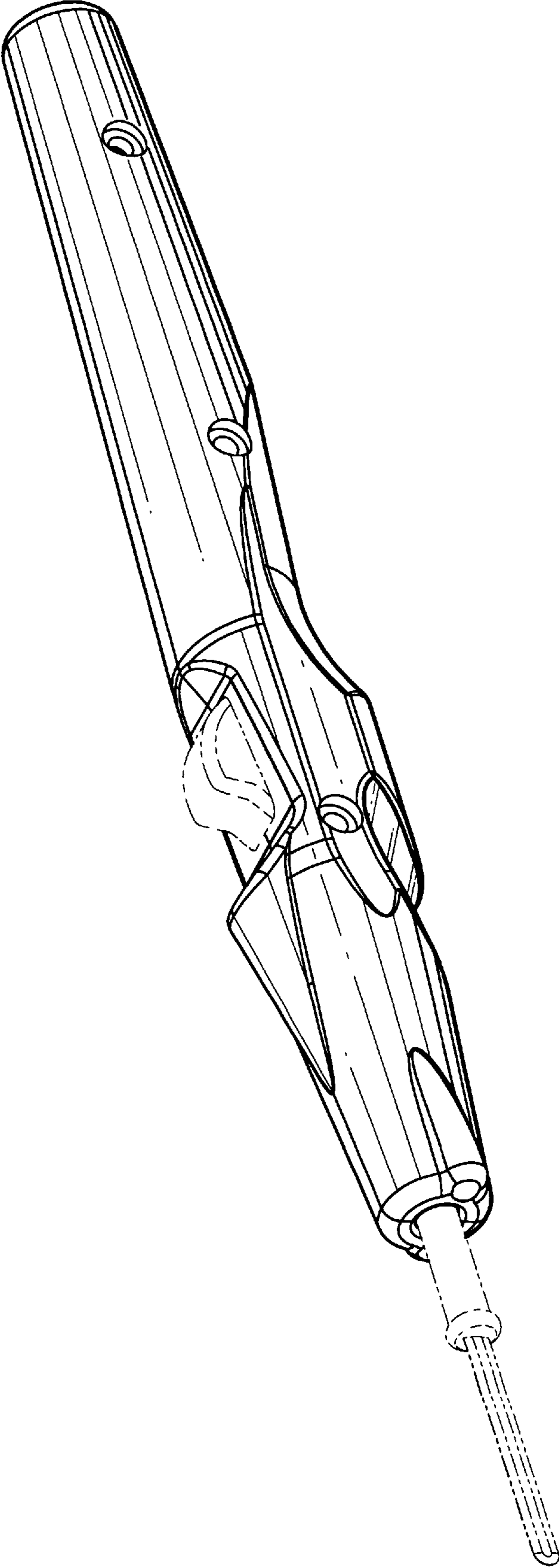


FIG. 1

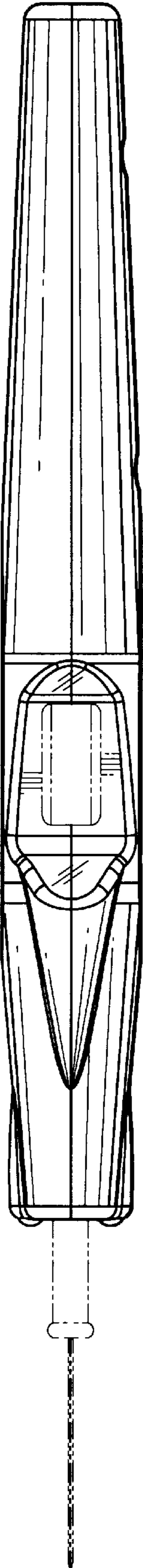


FIG. 2

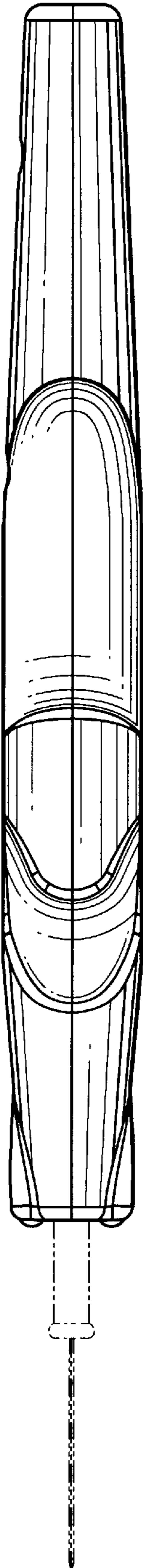


FIG. 3

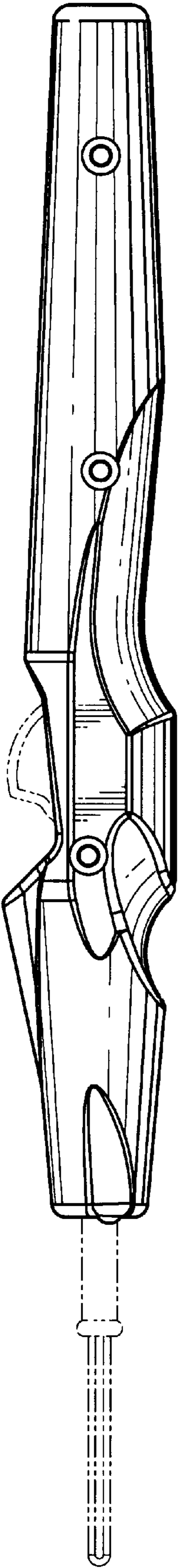


FIG. 4

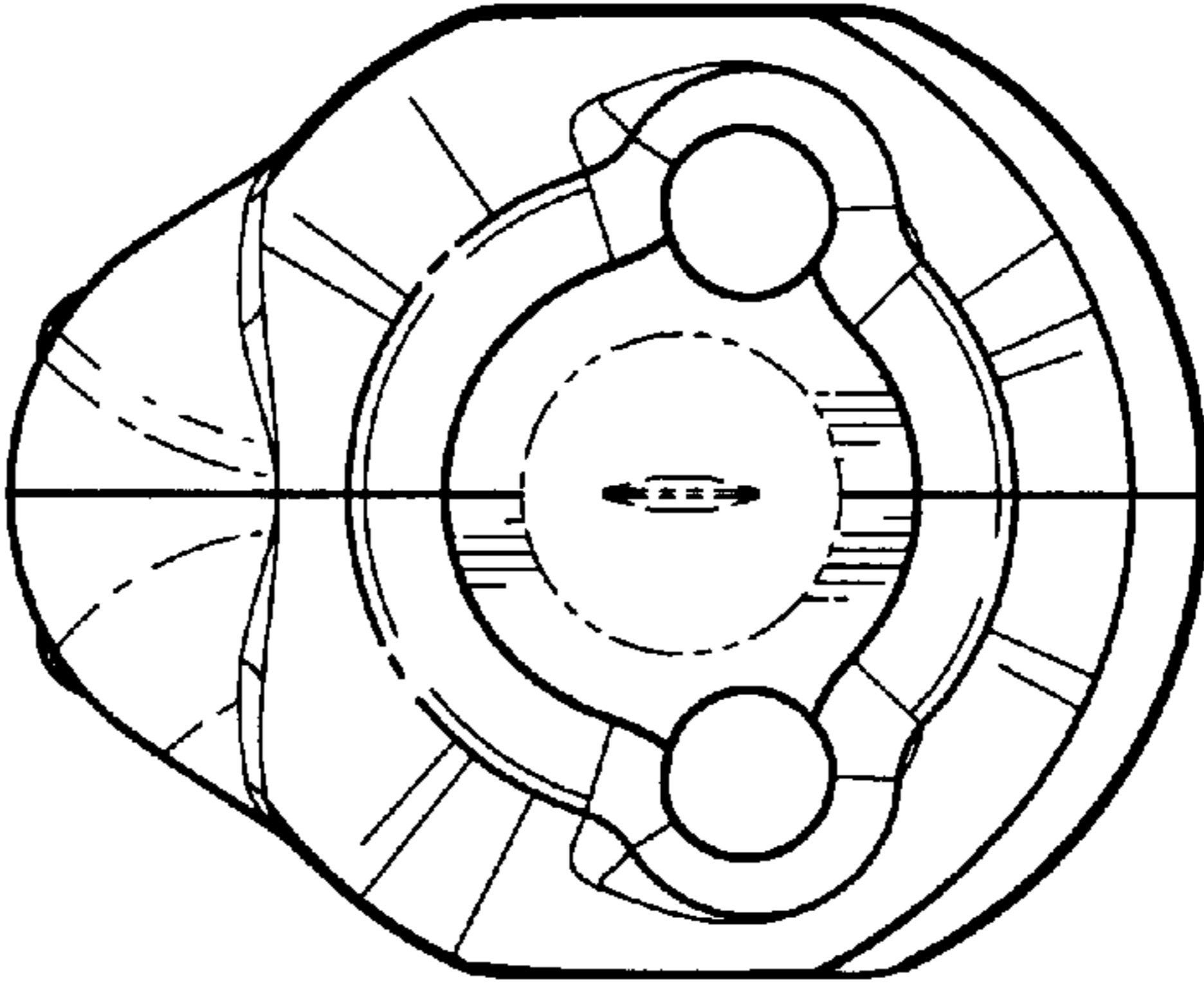


FIG. 5

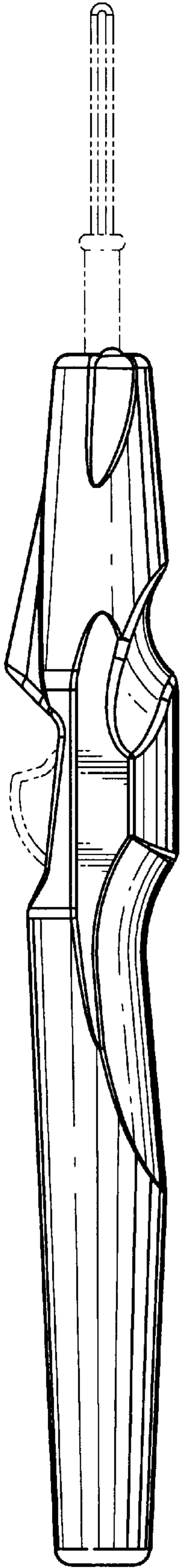


FIG. 6

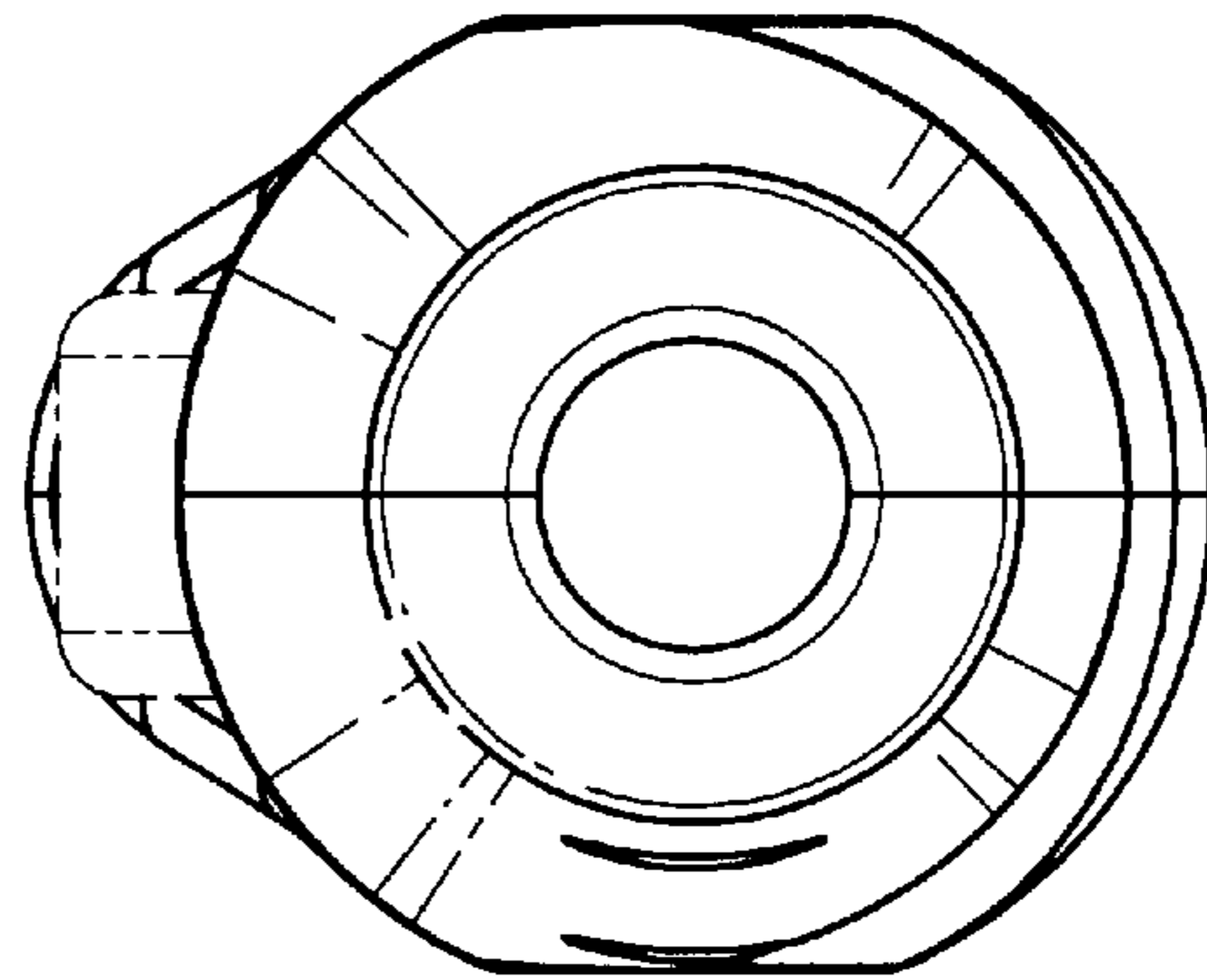


FIG. 7