

US00D495050S1

(12) **United States Design Patent**  
**Guala**

(10) **Patent No.:** **US D495,050 S**  
(45) **Date of Patent:** **\*\* Aug. 24, 2004**

(54) **TRANSDUCER-PROTECTOR FOR MEDICAL HAEMODIALYSIS LINES**

D395,502 S \* 6/1998 Deily et al. .... D24/112  
6,193,697 B1 \* 2/2001 Jepson et al. .... 604/905  
6,309,543 B1 \* 10/2001 Fenton et al. .... 285/148.19  
6,673,059 B2 \* 1/2004 Guala ..... 604/533

(75) Inventor: **Gianni Guala**, Turin (IT)

\* cited by examiner

(73) Assignee: **Industrie Borla S.p.A.**, Turin (IT)

*Primary Examiner*—Ian Simmons

(\*\*) Term: **14 Years**

(74) *Attorney, Agent, or Firm*—Sughrue Mion, PLLC

(21) Appl. No.: **29/182,045**

(57) **CLAIM**

(22) Filed: **May 20, 2003**

The ornamental design for a transducer-protector for medical haemodialysis lines, as shown and described.

(30) **Foreign Application Priority Data**

Nov. 21, 2002 (IT) ..... TO200200292

**DESCRIPTION**

(51) **LOC (7) Cl.** ..... **24-01**

FIG. 1 is a perspective view of the top, front and left side of a transducer-protector for medical haemodialysis lines showing my new design;

(52) **U.S. Cl.** ..... **D24/129; D24/108**

FIG. 2 is a perspective view from the bottom, front and right side thereof;

(58) **Field of Search** ..... D24/129, 108;  
604/29, 32, 30, 523, 533, 535, 538, 905,  
248; 285/148.19, 148.21

FIG. 3 is a perspective view from the rear view thereof;

(56) **References Cited**

FIG. 4 is a side elevational view, the opposite side being a mirror image thereof; and,

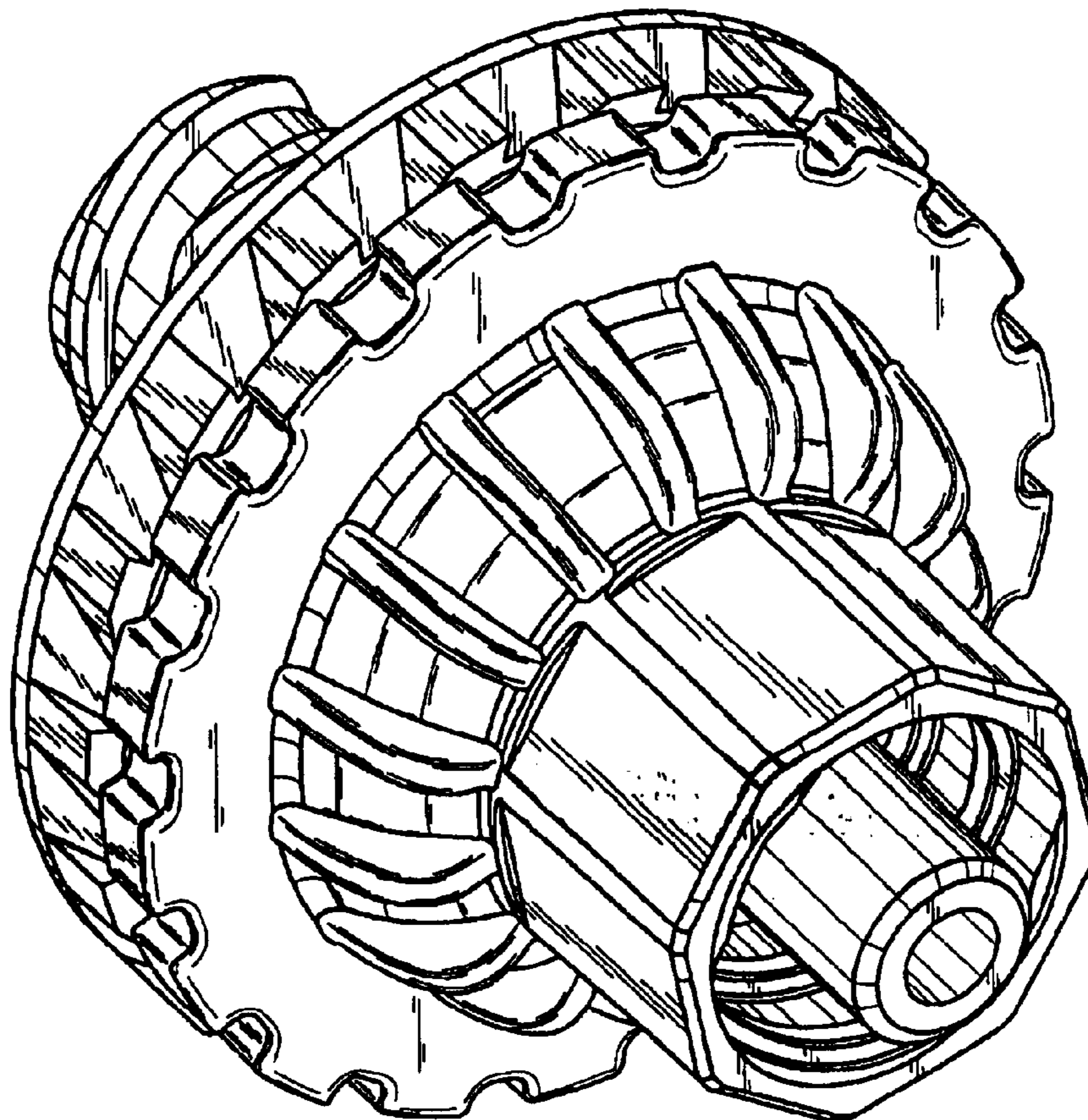
**U.S. PATENT DOCUMENTS**

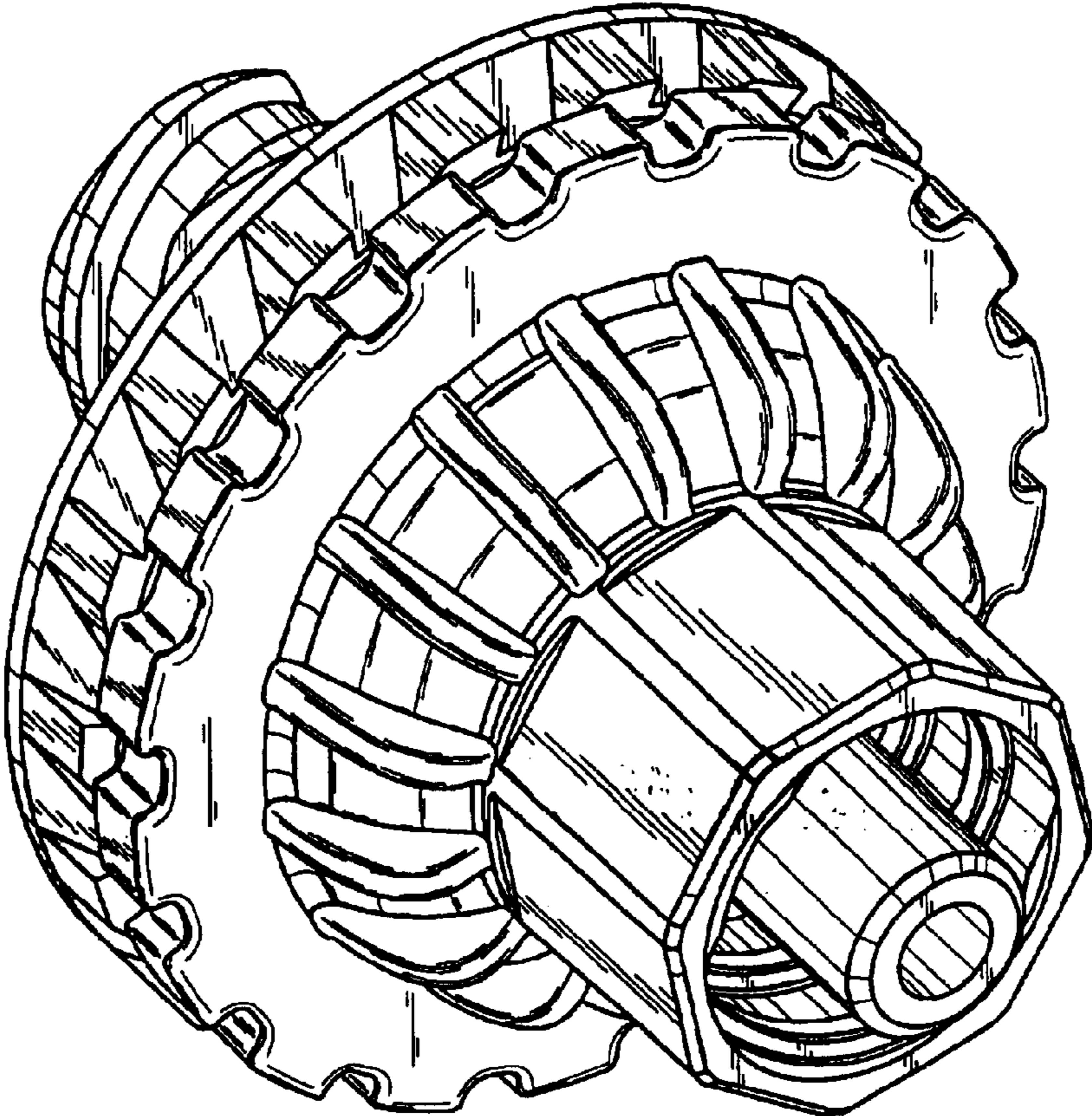
FIG. 5 is a front elevational view thereof.

4,639,019 A \* 1/1987 Mittleman ..... 604/535

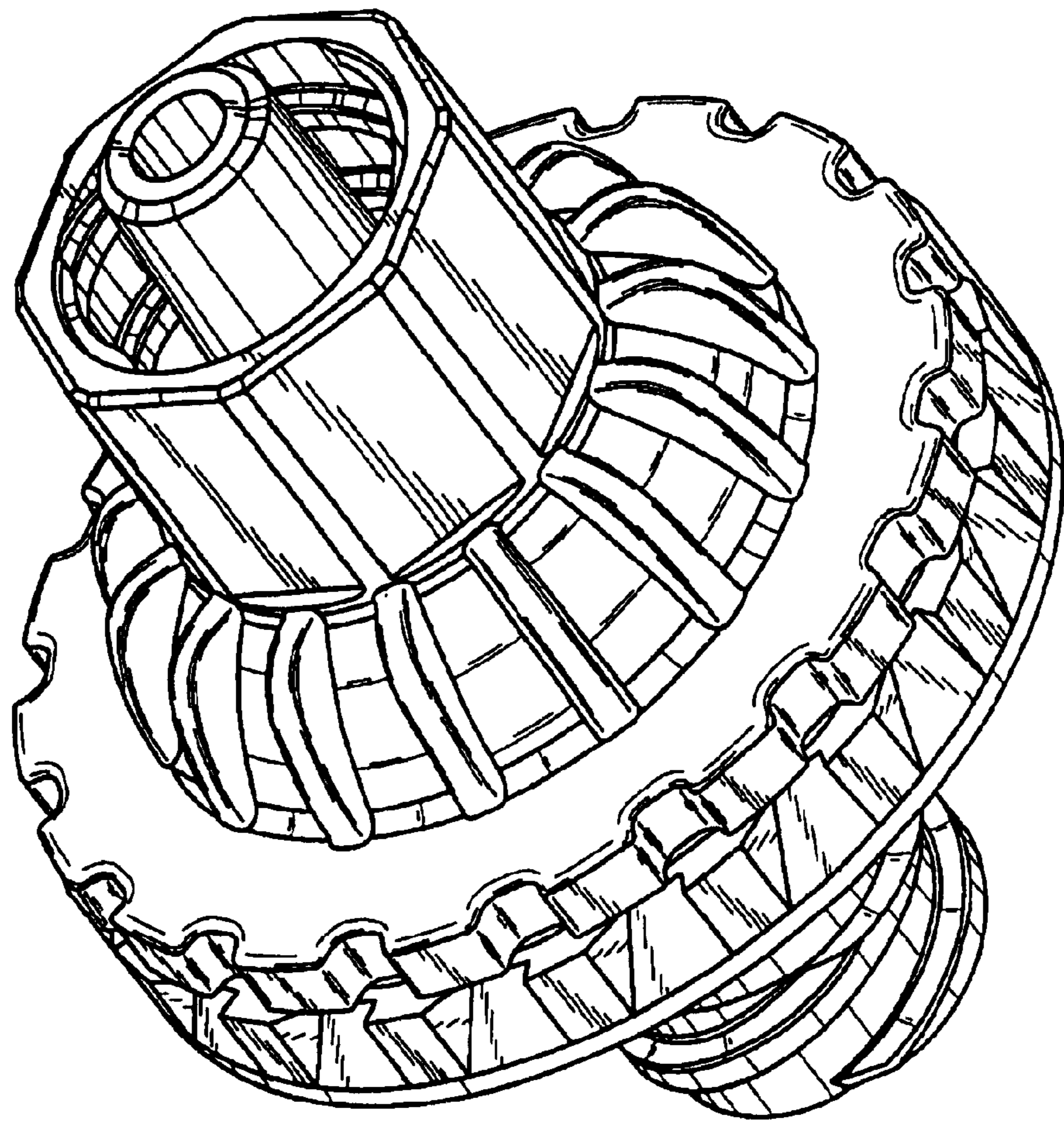
D327,318 S \* 6/1992 Dudar et al. .... D24/112

**1 Claim, 5 Drawing Sheets**

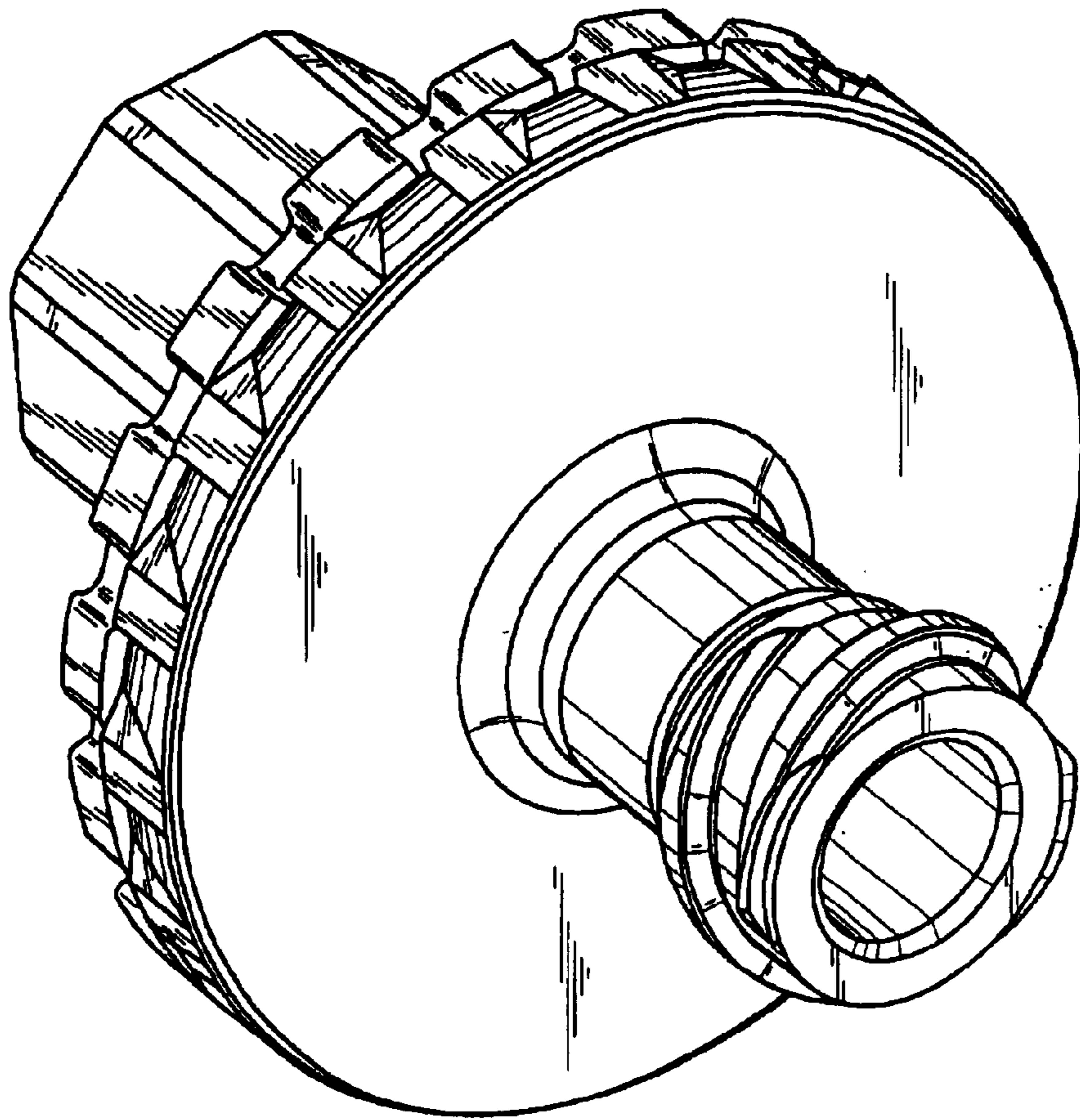




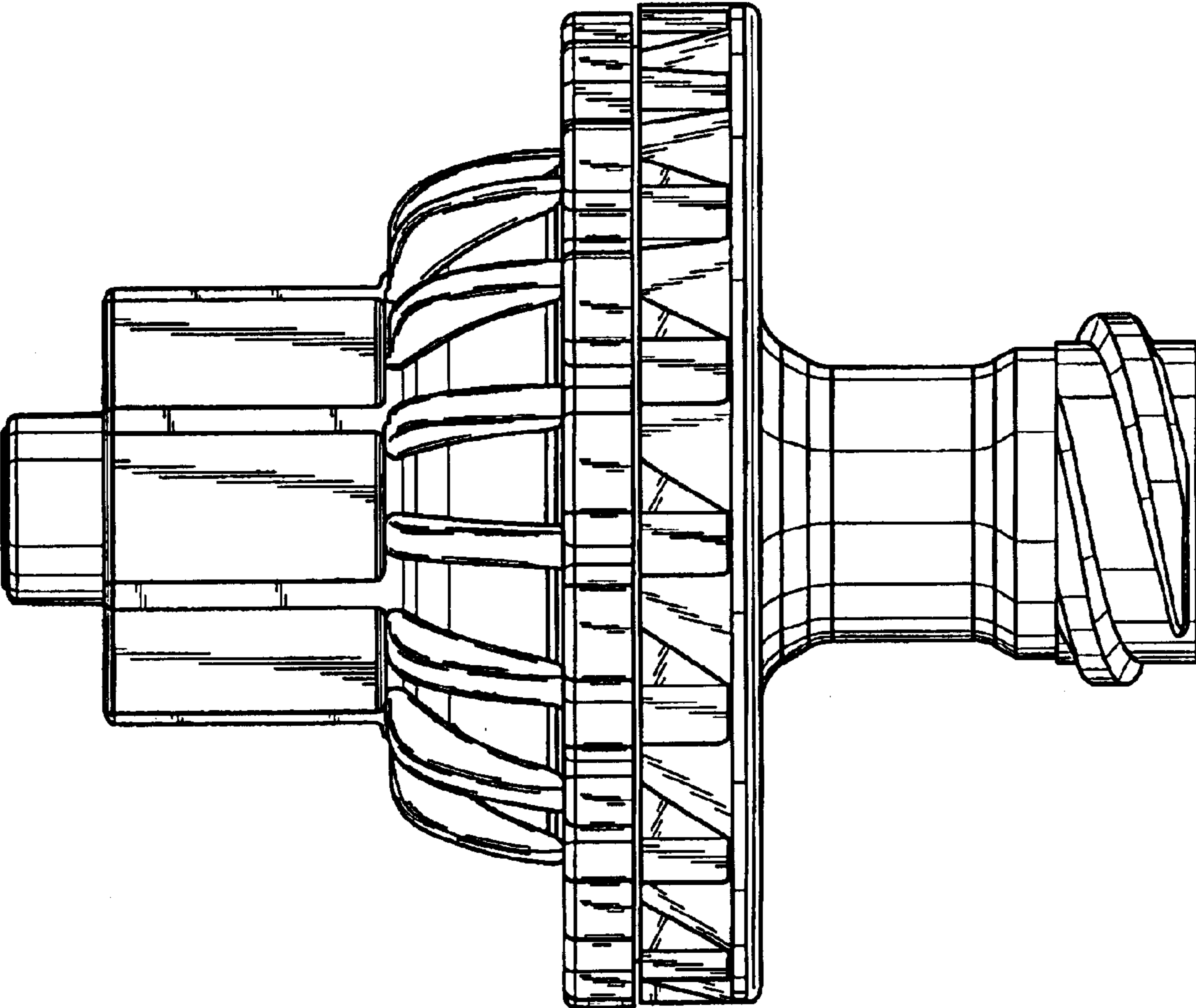
*Fig. 1*



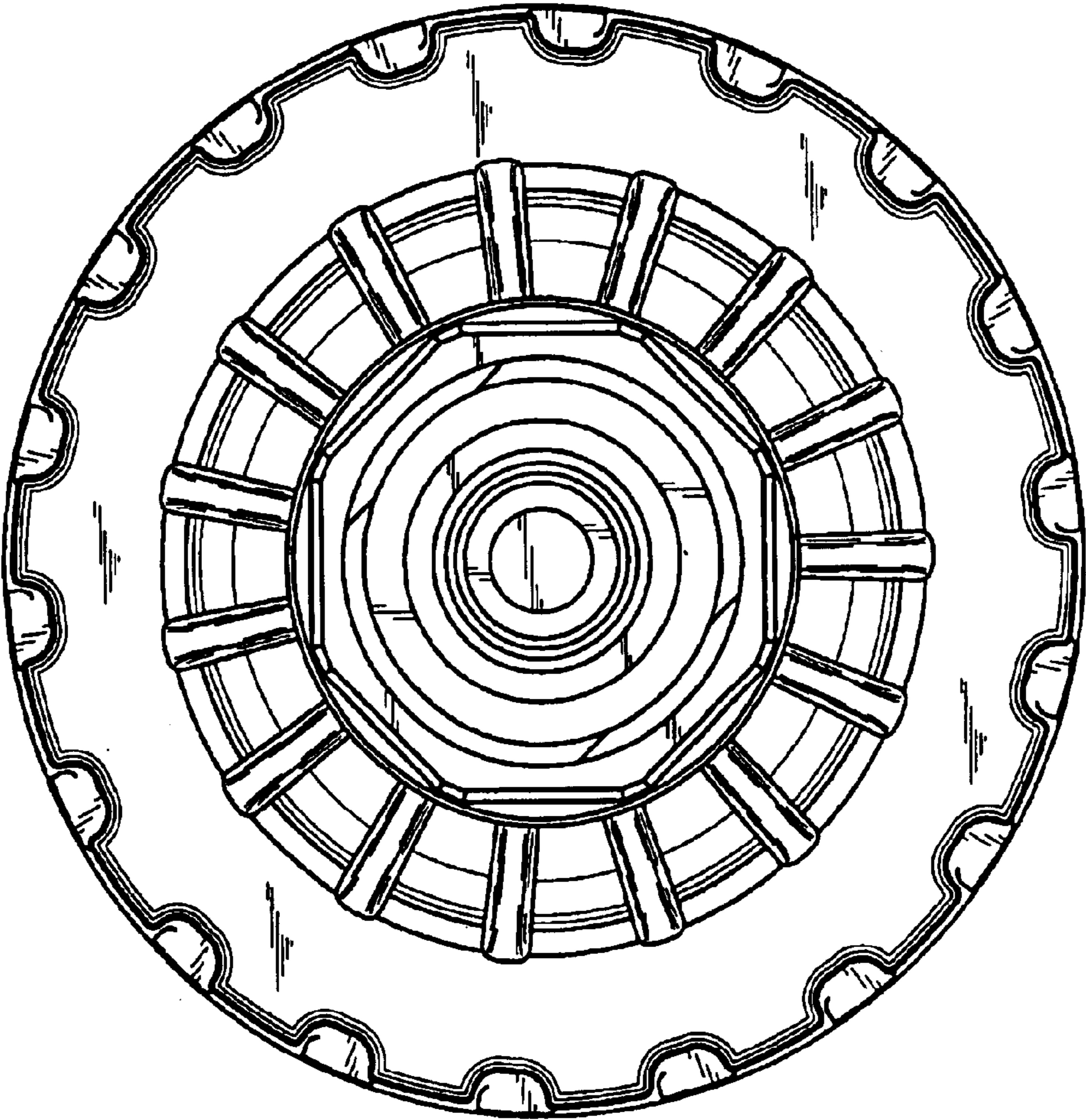
*Fig. 2*



*Fig. 3*



*Fig. 4*



*Fig. 5*