



US00D495049S1

(12) **United States Design Patent**
Austin

(10) **Patent No.:** **US D495,049 S**

(45) **Date of Patent:** **** Aug. 24, 2004**

(54) **OXYGEN CONSERVING REGULATOR**

6,612,307 B2 9/2003 Byrd
6,619,286 B2 * 9/2003 Patel 128/204.26

(75) **Inventor:** **Gary Austin**, Euclid, OH (US)

FOREIGN PATENT DOCUMENTS

(73) **Assignee:** **Taga Medical Technologies, Inc.**,
Eastlake, OH (US)

WO WO 97/11734 4/1997

(**) **Term:** **14 Years**

OTHER PUBLICATIONS

(21) **Appl. No.:** **29/185,301**

U.S. Byrd Patent Appln. Publication No. US 2002/0073998,
published Jun. 20, 2002 entitled "Oxygen Conserver".
U.S. Hamilton et al. Patent Appln. Publication No. US2002/
0162553, published Nov. 7, 2002 entitled "Postable Gas
Powered Positive Pressure Breathing Apparatus and
Method".

(22) **Filed:** **Jun. 24, 2003**

(51) **LOC (7) Cl.** **29-02**

(52) **U.S. Cl.** **D24/110.6**

(58) **Field of Search** D24/110.6, 129;
128/204.26, 205.24, 202.27, 205.11, 205.14,
207.16

U.S. Gale et al. Patent Appln. Publication No. US2003/
0075179, published Apr. 24, 2003, entitled "Pneumatic
Oxygen Conserving Device."

PB Puritan Bennett; "Companion® High Pressure Systems
. . . For Home Care".

PB Puritan Bennett; "Oxygen Therapy Regulators".

(56) **References Cited**

* cited by examiner

U.S. PATENT DOCUMENTS

D172,372 S	*	6/1954	Wagner	D24/129
D195,070 S	*	4/1963	Lecocq	D24/110.6
D202,319 S	*	9/1965	Shugarman	D24/110.6
3,814,093 A		6/1974	Gregory		
4,054,133 A		10/1977	Myers		
4,328,798 A		5/1982	Isaacson		
4,827,964 A		5/1989	Guido et al.		
5,020,531 A		6/1991	Garofalo		
5,275,153 A		1/1994	Kay		
5,360,000 A		11/1994	Garter		
5,645,055 A		7/1997	Danon		
5,743,257 A		4/1998	Koehler et al.		
5,755,224 A		5/1998	Good et al.		
5,881,725 A		3/1999	Hoffman et al.		
D409,745 S	*	5/1999	Niemczyk	D24/110.6
D418,599 S	*	1/2000	McCombs et al.	D24/110.6
6,116,242 A		9/2000	Frye et al.		
6,364,161 B1		4/2002	Pryor		
6,378,520 B1		4/2002	Davenport		
6,394,088 B1		5/2002	Frye et al.		
6,425,396 B1		7/2002	Adriance et al.		
6,427,690 B1		8/2002	McCombs et al.		

Primary Examiner—Ian Simmons

(74) *Attorney, Agent, or Firm*—Pearne & Gordon LLP

(57) **CLAIM**

The ornamental design for a oxygen conserving regulator, as shown and described.

DESCRIPTION

FIG. 1 is a first perspective view of my new oxygen conserving regulator;
FIG. 2 is a second perspective view thereof;
FIG. 3 is a front view thereof;
FIG. 4 is a top view thereof;
FIG. 5 is a left side view thereof;
FIG. 6 is a right side view thereof;
FIG. 7 is a bottom view thereof; and,
FIG. 8 is a rear view thereof.

1 Claim, 4 Drawing Sheets

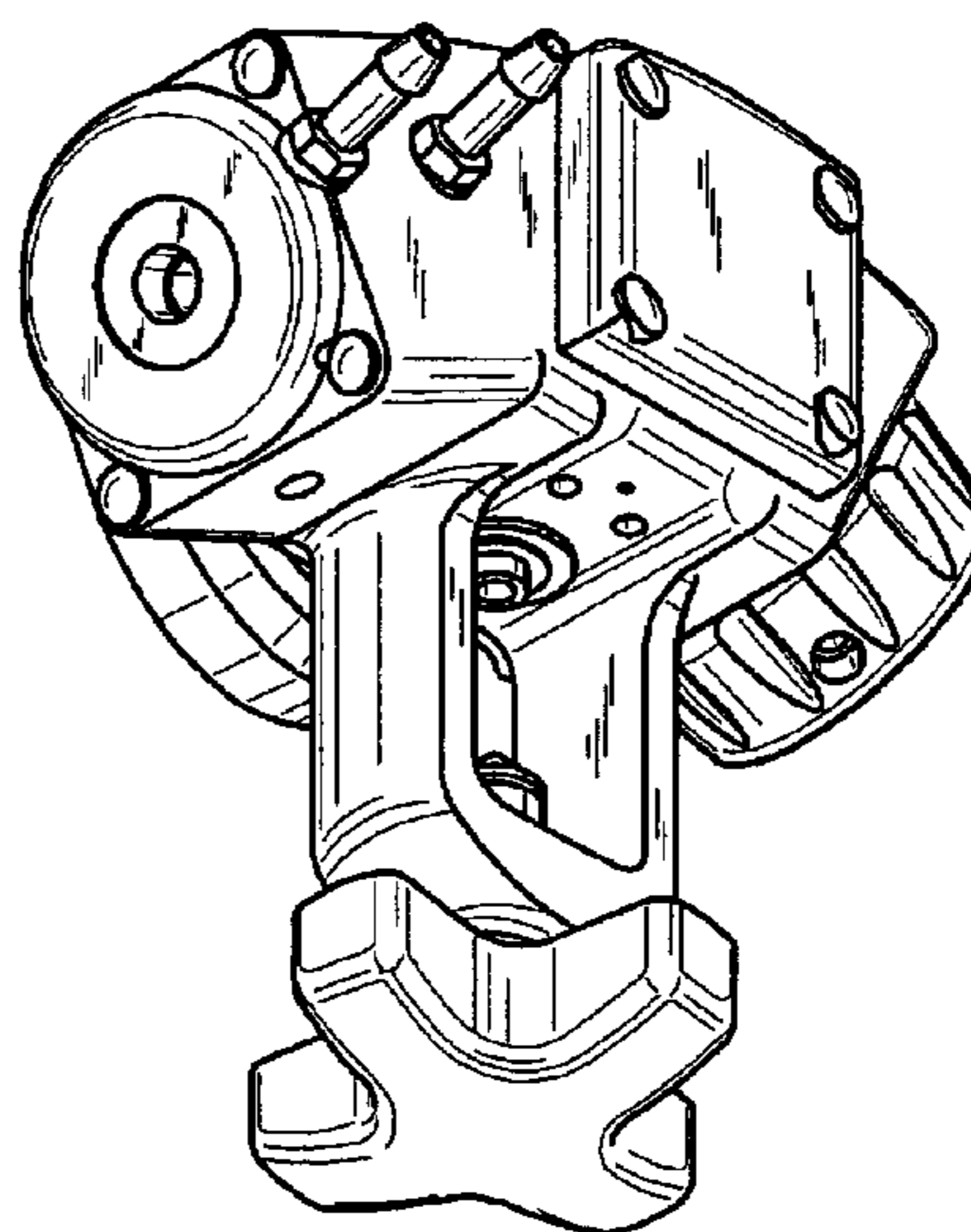
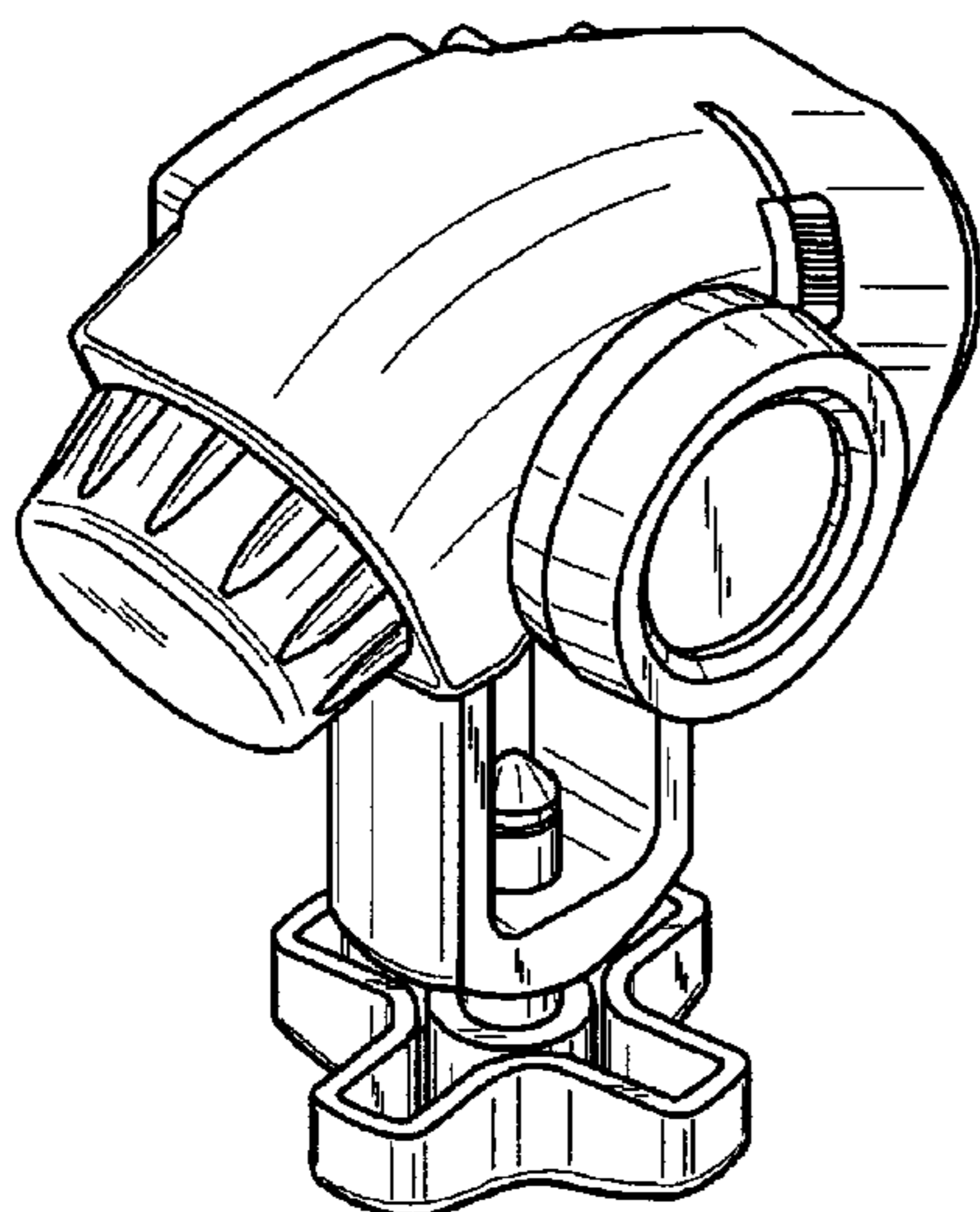


FIG. 1

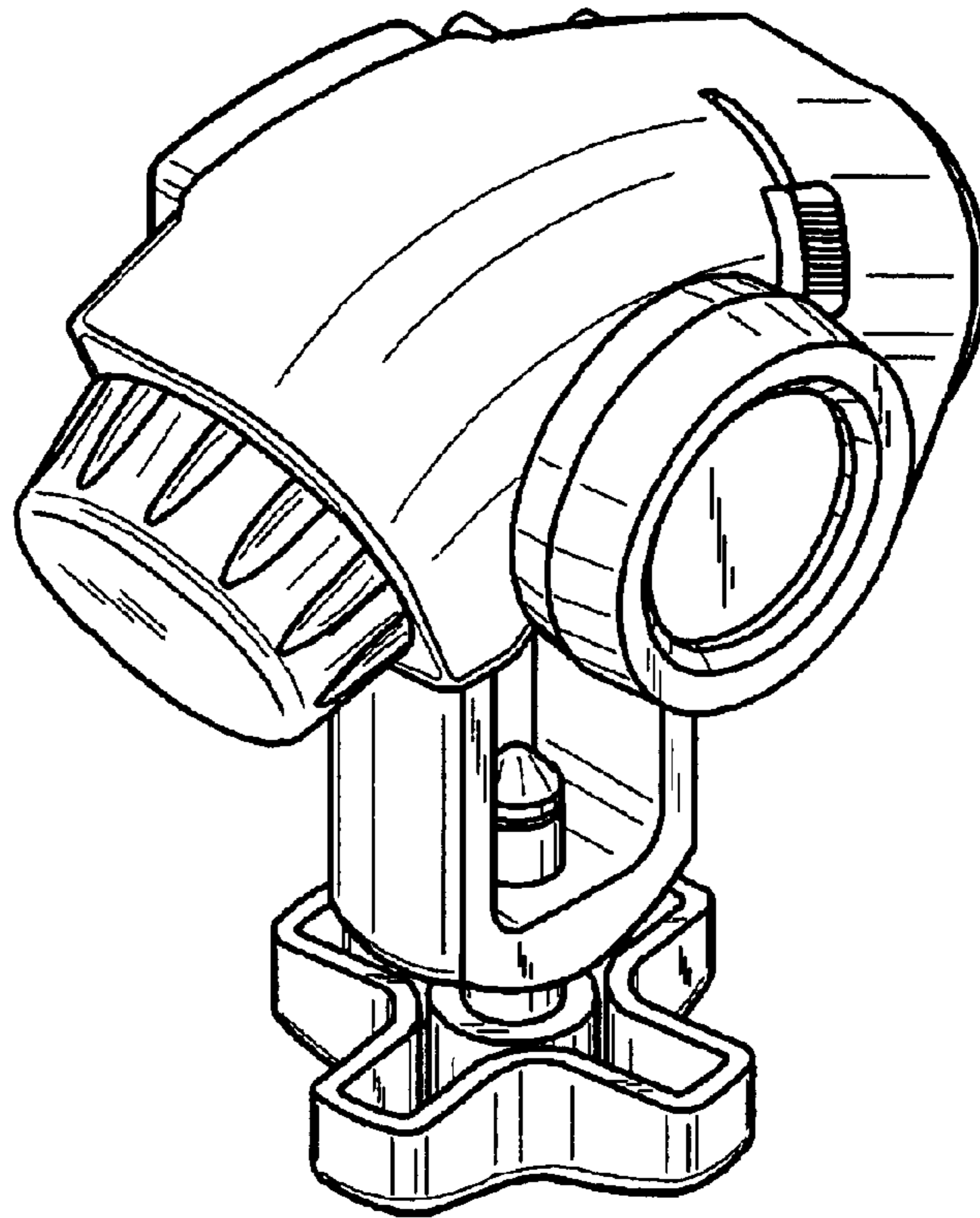
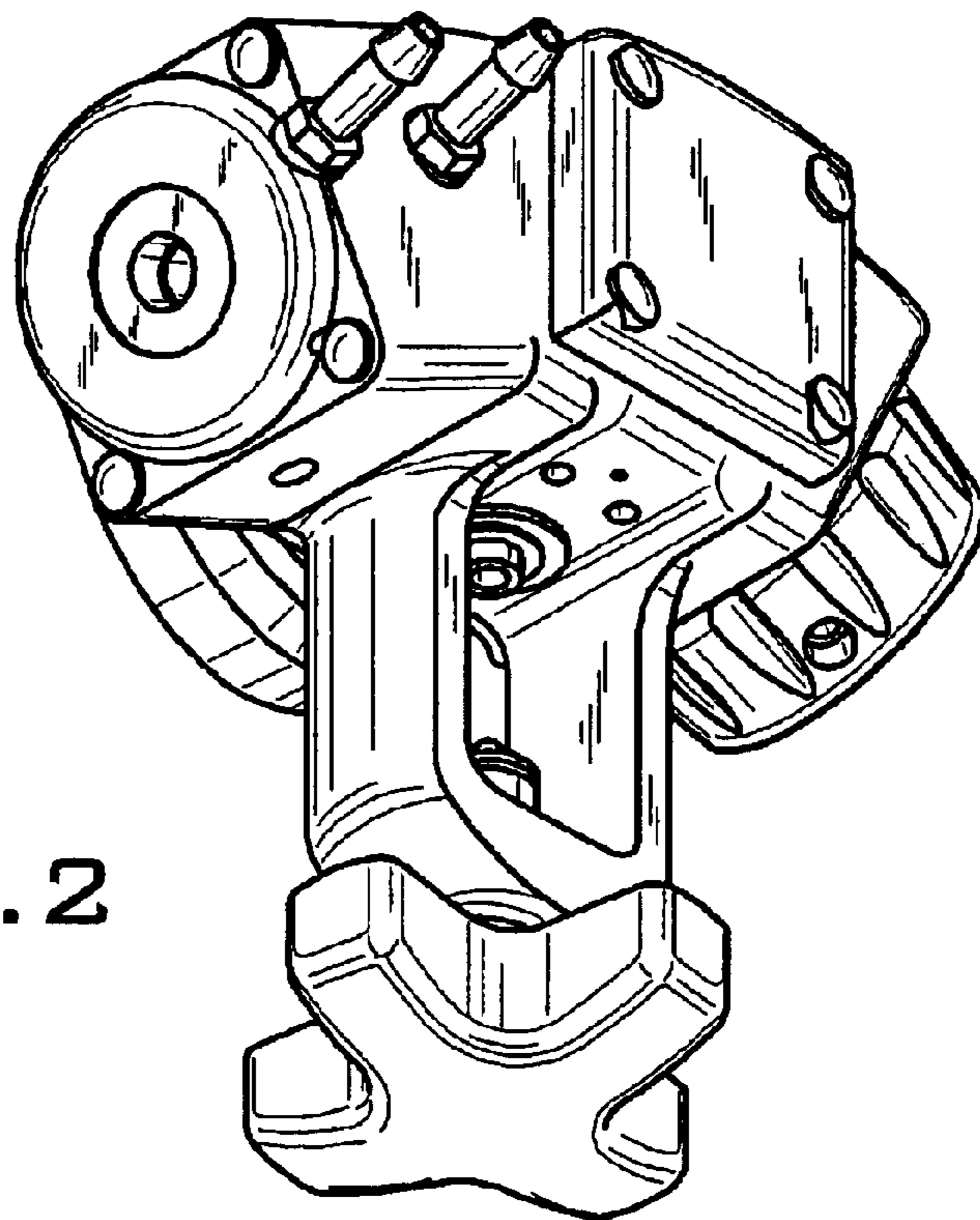


FIG. 2



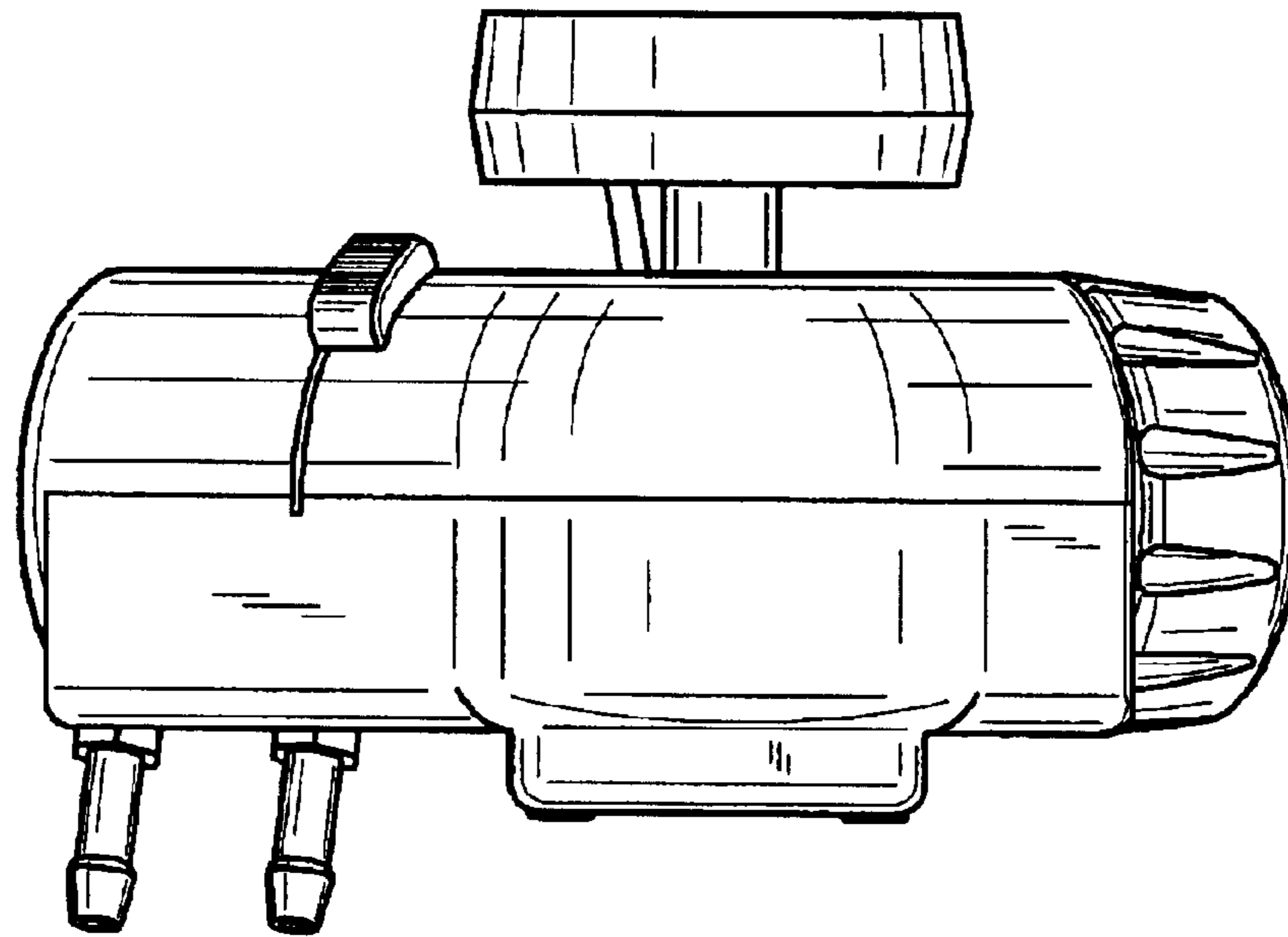


FIG. 3

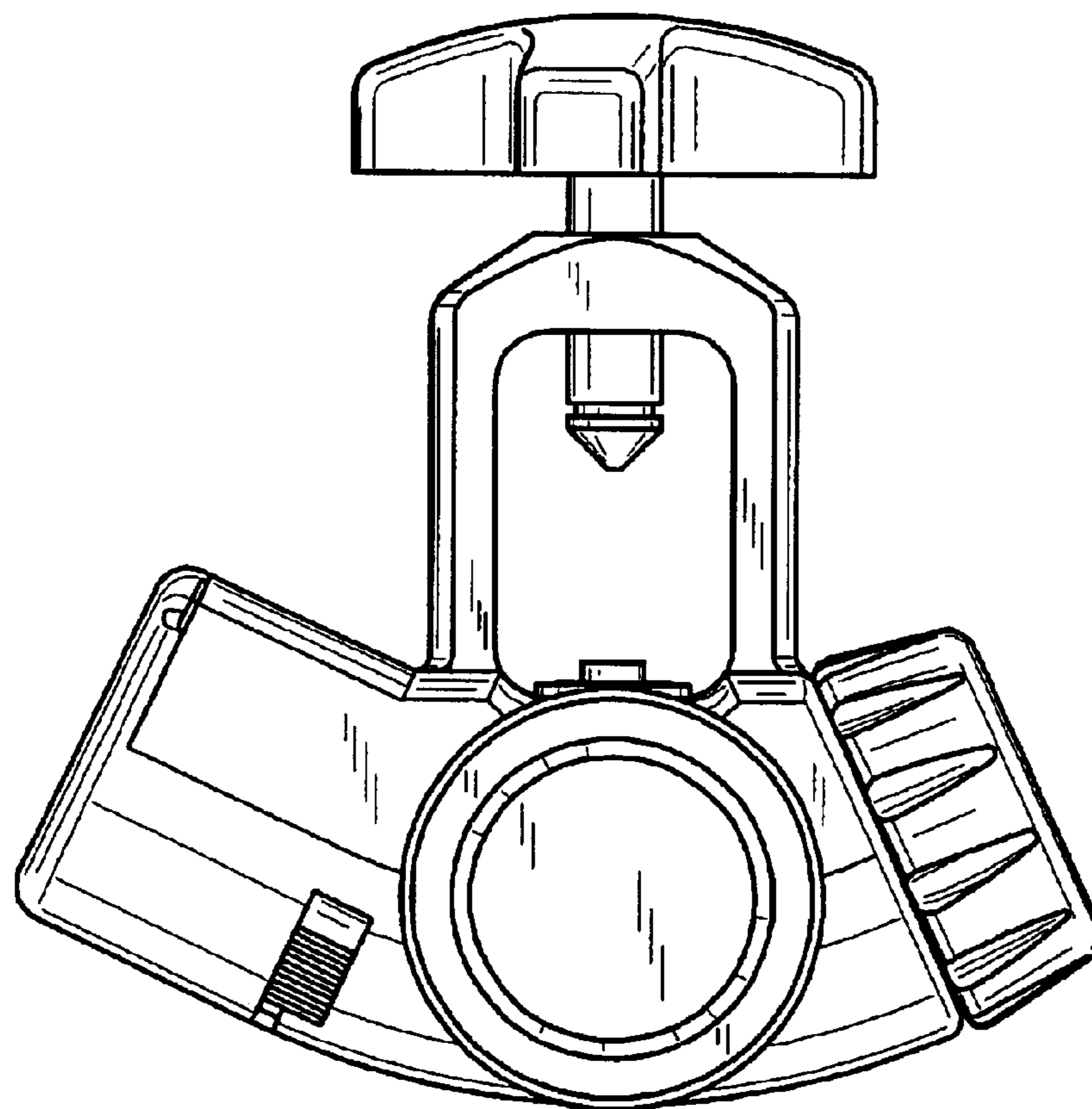


FIG. 4

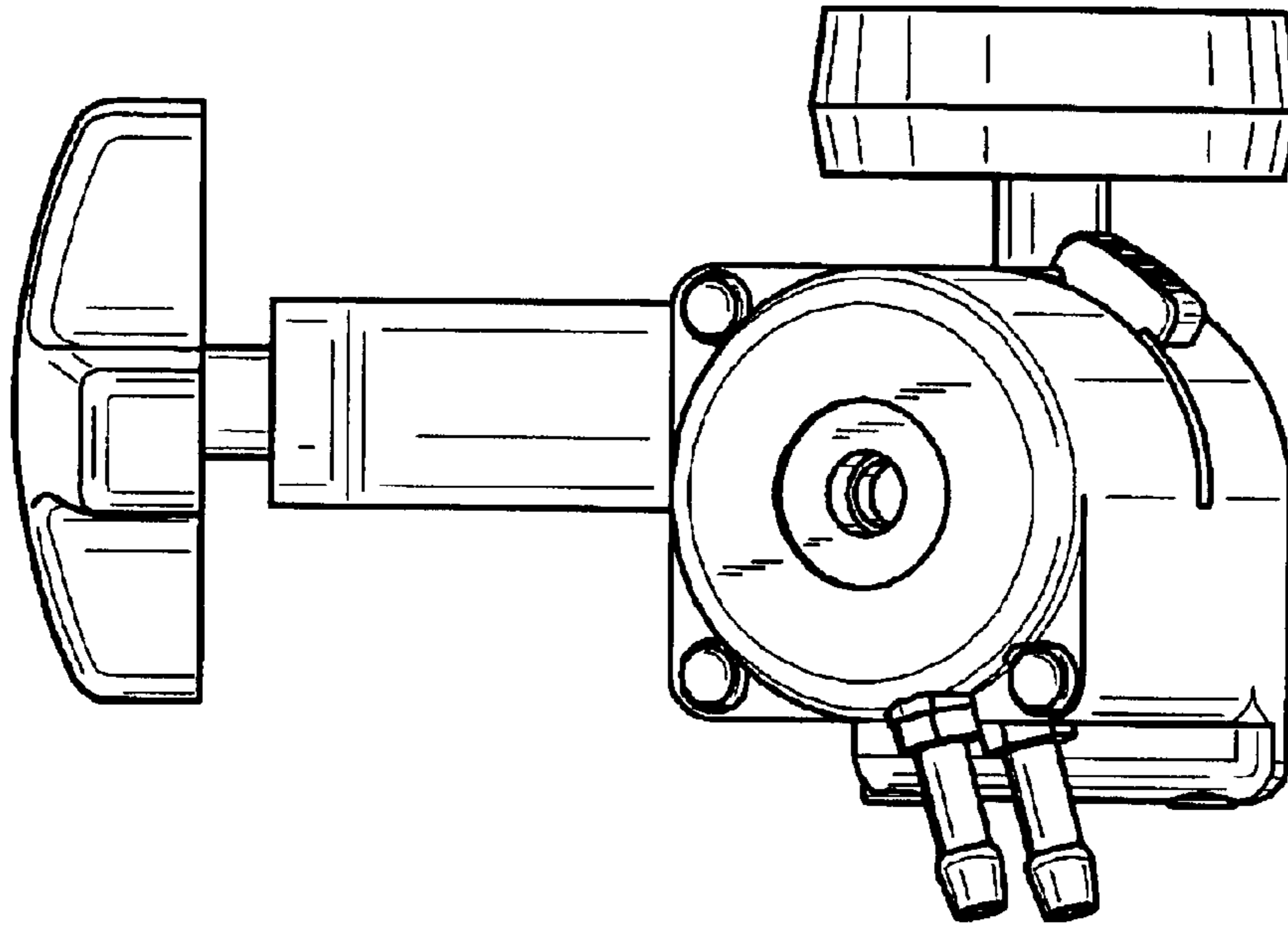


FIG. 5

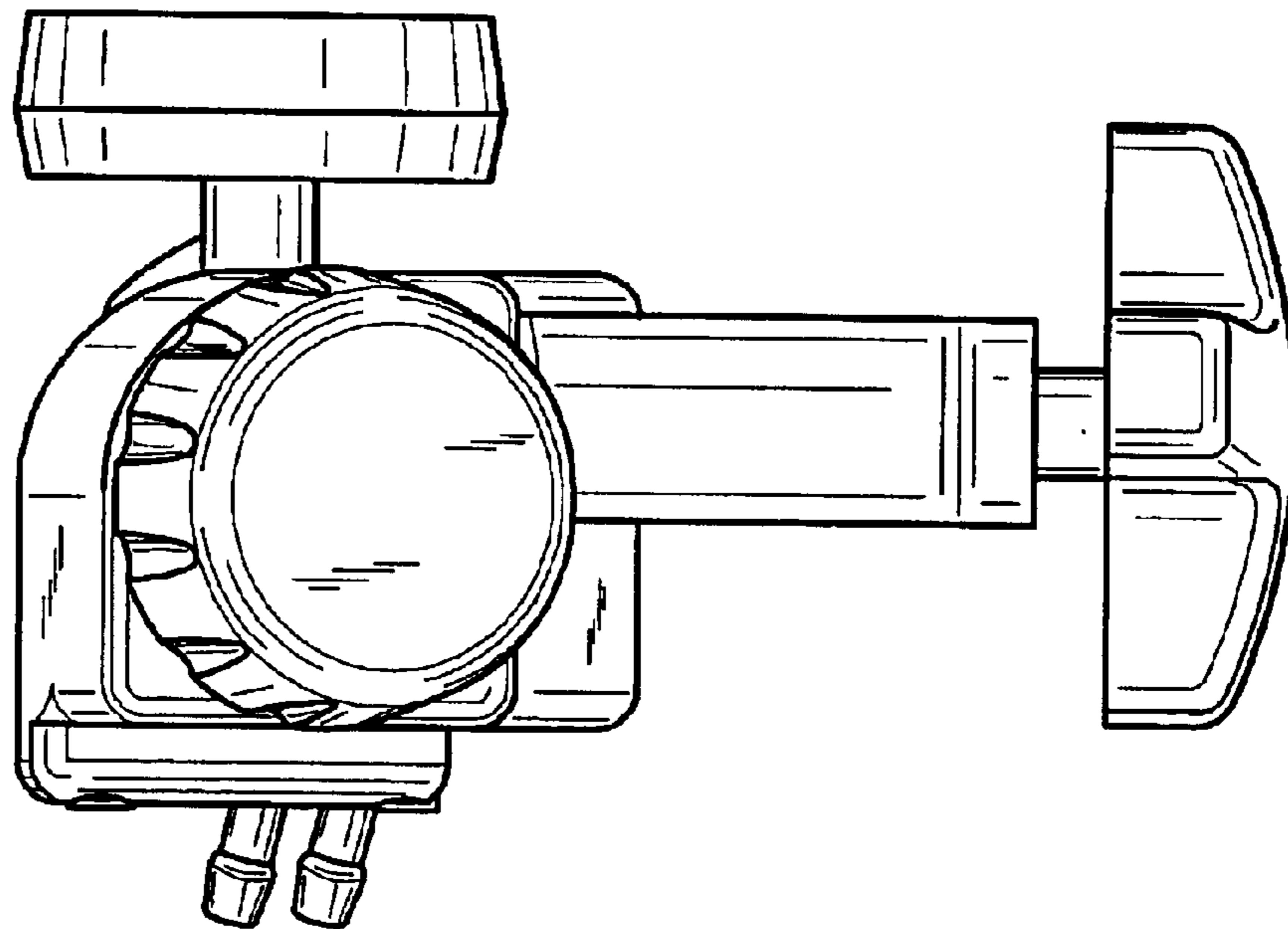


FIG. 6

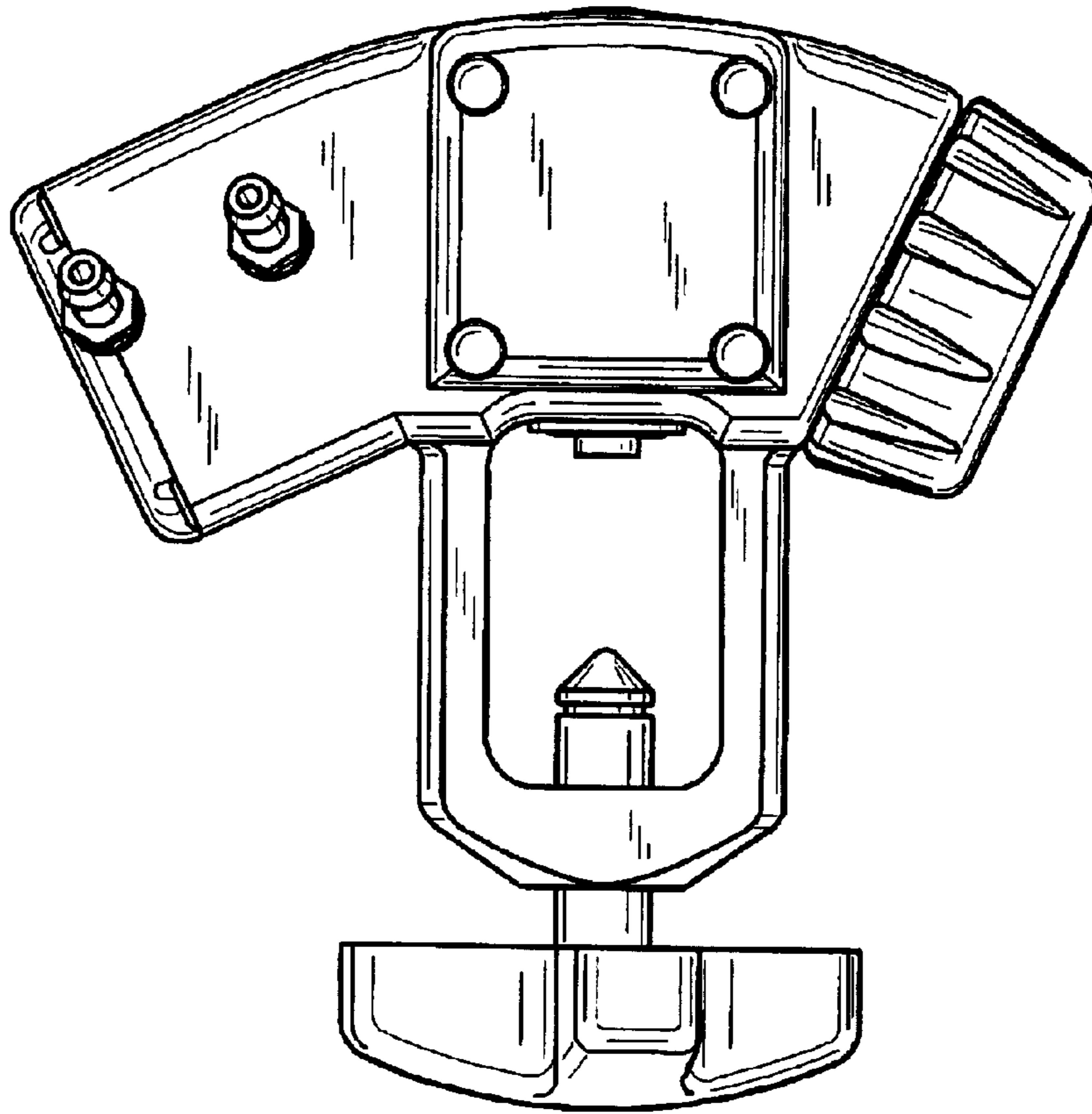


FIG. 7

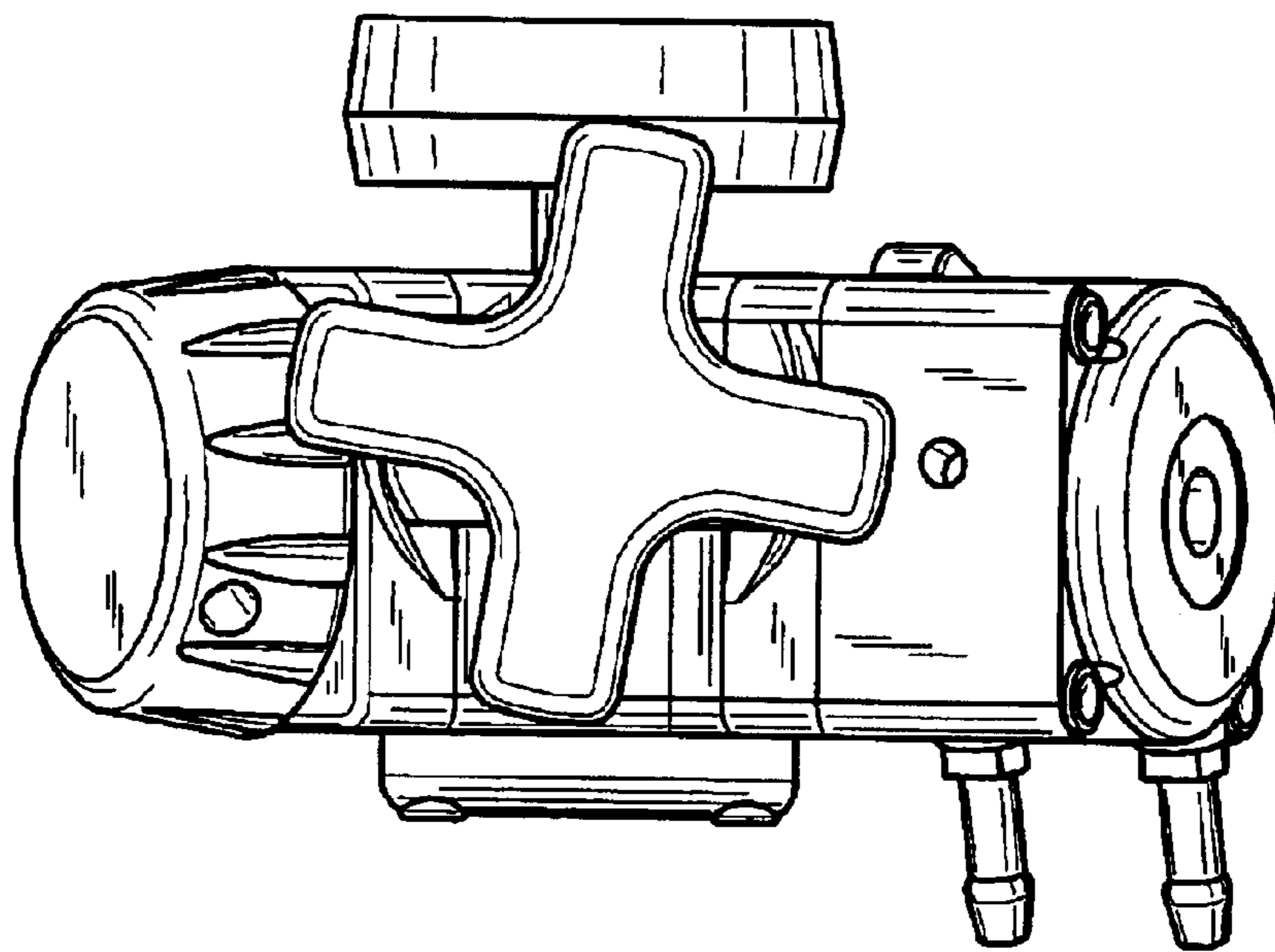


FIG. 8

UNITED STATES PATENT AND TRADEMARK OFFICE
CERTIFICATE OF CORRECTION

PATENT NO. : Des. 495,049 S
DATED : August 24, 2004
INVENTOR(S) : Gary Austin

Page 1 of 1

It is certified that error appears in the above-identified patent and that said Letters Patent is hereby corrected as shown below:

Title page.

Item [56], **References Cited**, OTHER PUBLICATIONS, "U.S. Byrd Patent Application" reference, please delete "Postable" and insert therefor -- Portable --.

Signed and Sealed this

Seventh Day of December, 2004

A handwritten signature in black ink on a light gray dotted background. The signature reads "Jon W. Dudas" in a cursive style.

JON W. DUDAS

Director of the United States Patent and Trademark Office